

# Inhoudsopgave

Achteras aandrijving .....	299
Brandstof Tank & Bevestiging .....	71
Brandstoftank Montage .....	95
Bumper & Sluitingmotorkap .....	105
Cabine .....	479
Dashbord .....	149
Differentieel Slot .....	303
Driepunt Achter .....	449
Driepunt Voor .....	441
Eindvertraging Wiel .....	301
Elektrisch .....	323
Front Gewichten & Beugel .....	475
Gaskabels .....	47
Hydrauliek .....	343
Hydrauliek Aansluitingen .....	367
Hydrauliek Hef .....	365
Hydrauliek Topstang .....	399
Hydrauliek Ventielen .....	373
Luchtfilter .....	63
Koel Vin .....	83
Koppeling .....	271
Koppeling Pedaal & Aansturing .....	275
Midden Knik Stuk .....	255
Motor .....	9
Motorkap .....	121
Motorolie Filter .....	91
Oliekoeler .....	359
Parkeer Rem .....	319
P.T.O. ....	305
P.T.O. Schakeling .....	311
Radiator & Slangen .....	55
Rem Pedalen .....	317
Remmen Achter .....	315
Remmen Voor .....	313
Schakelpoken & Gaffels .....	295
Schakelpook Montage .....	173
Spatschermen Achter .....	137
Spatschermen Voor & Rolbeugel .....	129
Stickers .....	141
Tandwielen .....	287
Treplanken & Kappen .....	133
Trekhaak .....	469
Vooras Aandrijving .....	267
Vooras Behuizing .....	249

Wielen & Banden .....	521
Zittingen .....	177

Code	Description	Notes
A.01.01.L70001_0	ENGINE 75 CV	
A.01.01.L70001_1	ENGINE 75 CV	
A.01.01.L70001_2	ENGINE 75 CV	
A.01.04.L70001_0	MOTOR 75 CV (SCS)	
A.01.04.L70001_1	MOTOR 75 CV (SCS)	
A.02.01.L70001_0	ENGINE CONTROLS	
A.02.01.L70001_1	ENGINE CONTROLS	
A.03.01.L70001_0	COOLER	
A.03.01.L70001_1	COOLER	
A.03.02.L70001_0	COOLER EXTERNAL AIR INTAKE	Hp 75
A.04.01.L70001_0	AIR FILTER	
A.04.01.L70001_1	AIR FILTER	
A.04.04.L70001_0	AIR FILTER WITH EXTERNAL AIR INTAKE	
A.04.04.L70001_1	AIR FILTER WITH EXTERNAL AIR INTAKE	
A.05.01.L70001_0	FUEL TANK	
A.05.01.L70001_1	FUEL TANK	
A.11.01.L70001_1	FAN ENGINE STD	
A.11.01.L70001_2	FAN ENGINE STD	
A.11.02.L70001_1	FAN ENGINE SCS	
A.11.02.L70001_2	FAN ENGINE SCS	
A.11.03.L70001_2	OIL FILTER STD	
A.11.04.L70001_2	FRONT LIFT VERSION OIL FILTER	
A.15.01.L70001_0	SUPPORT TANK STANDARD	
A.15.01.L70001_1	SUPPORT TANK STANDARD	
A.15.02.L70001_0	SUPPORT TANK WITH STANDARD CAB	
A.15.02.L70001_1	SUPPORT TANK WITH STANDARD CAB	
A.15.03.L70001_0	SUPPORT TANK WITH COMPACT CAB	
B.01.01.L70001_0	FRONT SUPPORT	
B.01.01.L70001_1	FRONT SUPPORT	
B.02.01.L70001_0	BONNET	
B.02.01.L70001_1	BONNET	
B.03.01.L70001_0	FRONT MODGUARDS	
B.03.01.L70001_1	FRONT MODGUARDS	
B.04.01.L70001_0	BOARDS	

Code	Description	Notes
B.04.01.L70001_1	BOARDS	
B.05.01.L70001_0	REAR MODGUARDS	
B.05.01.L70001_1	REAR MODGUARDS	
B.06.01.L70001_0	PLATES AND STICKERS	
B.06.01.L70001_1	PLATES AND STICKERS	
B.06.02.L70001_1	PLATES AND STICKERS	
B.07.01.L70001_0	DASHBOARD	
B.07.01.L70001_1	DASHBOARD	
B.07.01.L70001_2	DASHBOARD	
B.07.01.L70001_3	CRUSCOTTO	
B.07.01.L70001_4	CRUSCOTTO	
B.07.01.L70001_5	CRUSCOTTO	
B.08.01.L70001_0	GEAR LEVERS COVERING	
B.08.01.L70001_1	GEAR LEVERS COVERING	
B.09.01.L70001_0	STANDARD SEAT-MECHANICAL SPRINGING SYSTEM	
B.09.01.L70001_1	STANDARD SEAT-MECHANICAL SPRINGING SYSTEM	
B.09.02.L70001_0	STANDARD SEAT-PNEUMATIC SPRINGING SYSTEM	
B.09.02.L70001_1	STANDARD SEAT-PNEUMATIC SPRINGING SYSTEM	
B.09.03.L70001_0	VERSION WITH CAB- SEAT-MECHANICAL SPRINGING SYSTEM	
B.09.03.L70001_1	VERSION WITH CAB- SEAT-MECHANICAL SPRINGING SYSTEM	
B.09.04.L70001_0	VERSION WITH CAB- SEAT-PNEUMATIC SPRINGING SYSTEM	
B.09.04.L70001_1	VERSION WITH CAB- SEAT-PNEUMATIC SPRINGING SYSTEM	
B.09.05.L70001_0	SEAT (KAB P1)	
B.13.01.L70001_0	FRONT MODGUARDS - STD	
B.13.01.L70001_1	FRONT MODGUARDS- STD	
B.13.02.L70001_0	FRONT MODGUARDS - VERSION WITH COMPACT CAB	
B.13.02.L70001_1	FRONT MODGUARDS - VERSION WITH COMPACT CAB	
B.13.03.L70001_0	FRONT MODGUARDS - VERSION WITH HIGH CAB	
B.13.03.L70001_1	FRONT MODGUARDS - VERSION WITH HIGH CAB	
B.15.01.L70001_1	REAR MODGUARDS - STD	
B.15.02.L70001_1	REAR MODGUARDS - SUD	
B.17.01.L70001_0	DASHBOARD - COLUMN STD	
B.17.02.L70001_0	DASHBOARD - ADJUSTABLE STEERING COLUMN VERSION	
B.17.03.L70001_0	DASHBOARD - BRAKE STD	

<b>Code</b>	<b>Description</b>	<b>Notes</b>
B.17.04.L70001_0	DASHBOARD - AUTOMATIC BRAKE VERSION	
B.17.05.L70001_0	DASHBOARD - ANALOGICAL INSTRUMENT	
B.17.06.L70001_0	DASHBOARD - DIGITAL INSTRUMENT	
B.17.07.L70001_0	DASHBOARD - NO SCS	
B.17.08.L70001_0	DASHBOARD - SCS	
B.17.09.L70001_0	DASHBOARD - INSTRUMENT PANEL STD	
B.17.10.L70001_0	DASHBOARD - INSTRUMENT PANEL FOR CAB	
B.17.10.L70001_1	DASHBOARD - INSTRUMENT PANEL FOR CAB	
B.18.01.L70001_0	GEAR LEVERS COVERING - STD	
B.18.01.L70001_1	GEAR LEVERS COVERING - STD	
B.18.02.L70001_0	GEAR LEVERS COVERING - AIR-SUSPENDED SEAT	
B.18.02.L70001_1	GEAR LEVERS COVERING - AIR-SUSPENDED SEAT	
B.18.03.L70001_0	GEAR LEVERS COVERING - CAB	
B.18.03.L70001_1	GEAR LEVERS COVERING - CAB	
B.18.04.L70001_0	GEAR LEVERS COVERING - CAB WITH AIR-SUSPENDED SEAT	
B.18.04.L70001_1	GEAR LEVERS COVERING - CAB WITH AIR-SUSPENDED SEAT	
C.01.01.L70001_0	FRONT AXLE	
C.02.01.L70001_0	CENTRAL SECTION	
C.02.01.L70001_1	CENTRAL SECTION	
C.02.01.L70001_2	CENTRAL SECTION	
C.03.01.L70001_0	REAR AXLE	
D.01.01.L70001_0	FRONT TRANSMISSION	
D.02.01.L70001_0	CLUTCH FRONT SHAFT/ TRANSMISSION CLUTCH	Hp 75
D.03.01.L70001_0	CLUTCH	
D.03.01.L70001_1	CLUTCH	
D.03.02.L70001_0	CLUTCH CONTROLS	
D.03.02.L70001_1	CLUTCH CONTROLS	
D.04.01.L70001_0	INPUT SHAFT / RANGES MAIN SHAFT AND GEARS	
D.05.01.L70001_0	GEARS MAIN SHAFT / GEARS	
D.06.01.L70001_0	GEARS TRANSMISSION SHAFT / GEARS	
D.07.01.L70001_0	GEARBOX CONTROLS	
D.09.01.L70001_0	REAR TRANSMISSION	
D.10.01.L70001_0	EPYCLIC REDUCTION GEARS	
D.11.01.L70001_0	DIFFERENTIAL LOCK	

Code	Description	Notes
D.12.01.L70001_0	POWER TAKE-OFF	
D.12.02.L70001_0	POWER TAKE-OFF CONTROLS	
D.13.01.L70001_0	FRONT BRAKE	
D.13.03.L70001_0	REAR BRAKE	
D.14.01.L70001_0	BRAKES CONTROLS	
D.15.01.L70001_0	PARKING BRAKE	
D.16.01.L70001_0	FRONT DRIVE	
E.01.01.L70001_0	ENGINE ELECTRIC SYSTEM	
E.01.01.L70001_1	ENGINE ELECTRIC SYSTEM	
E.02.01.L70001_0	HYDRAULIC HOSES BOX ELECTRIC SYSTEM	
E.02.01.L70001_1	HYDRAULIC HOSES BOX ELECTRIC SYSTEM	
E.03.01.L70001_0	FRONT ELECTRICAL SYSTEM	
E.03.01.L70001_1	FRONT ELECTRICAL SYSTEM	
E.04.01.L70001_0	REAR ELECTRICAL SYSTEM	
E.04.01.L70001_1	REAR ELECTRICAL SYSTEM	
E.14.01.L70001_1	REAR ELECTRICAL SYSTEM - STD	
E.14.02.L70001_1	REAR ELECTRICAL SYSTEM - WHEELS R20/R24	
F.01.01.L70001_0	HYDR. SYSTEM DOUBLE OIL SUCTION	
F.01.01.L70001_1	HYDR. SYSTEM DOUBLE OIL SUCTION	
F.02.01.L70001_0	HYDR. SYSTEM : HEAT EXCHANGER	
F.02.01.L70001_1	HYDR. SYSTEM : HEAT EXCHANGER	
F.03.01.L70001_0	STEERING HYDR. SYSTEM	
F.03.01.L70001_1	STEERING HYDR. SYSTEM	
F.11.01.L70001_0	HYDR. SYSTEM DOUBLE OIL SUCTION PUMP 30 Lt.	
F.11.01.L70001_1	HYDR. SYSTEM DOUBLE OIL SUCTION PUMP 30 Lt.	
F.11.02.L70001_0	HYDR. SYSTEM DOUBLE OIL SUCTION PUMP 50 Lt.	
F.11.02.L70001_1	HYDR. SYSTEM DOUBLE OIL SUCTION PUMP 50 Lt.	
F.11.03.L70001_0	OIL SUCTION FOR FRONT LIFT HYDRAULIC CIRCUIT	
F.12.01.L70001_0	HYDR. SYSTEM : HEAT EXCHANGER PUMP 30 Lt.	
F.12.01.L70001_1	HYDR. SYSTEM : HEAT EXCHANGER PUMP 30 Lt.	
F.12.02.L70001_0	HYDR. SYSTEM : HEAT EXCHANGER PUMP 50 Lt.	
F.12.02.L70001_1	HYDR. SYSTEM : HEAT EXCHANGER PUMP 50 Lt.	
L.01.01.L70001_0	LIFT	
L.02.01.L70001_0	CONTROL VALVES	

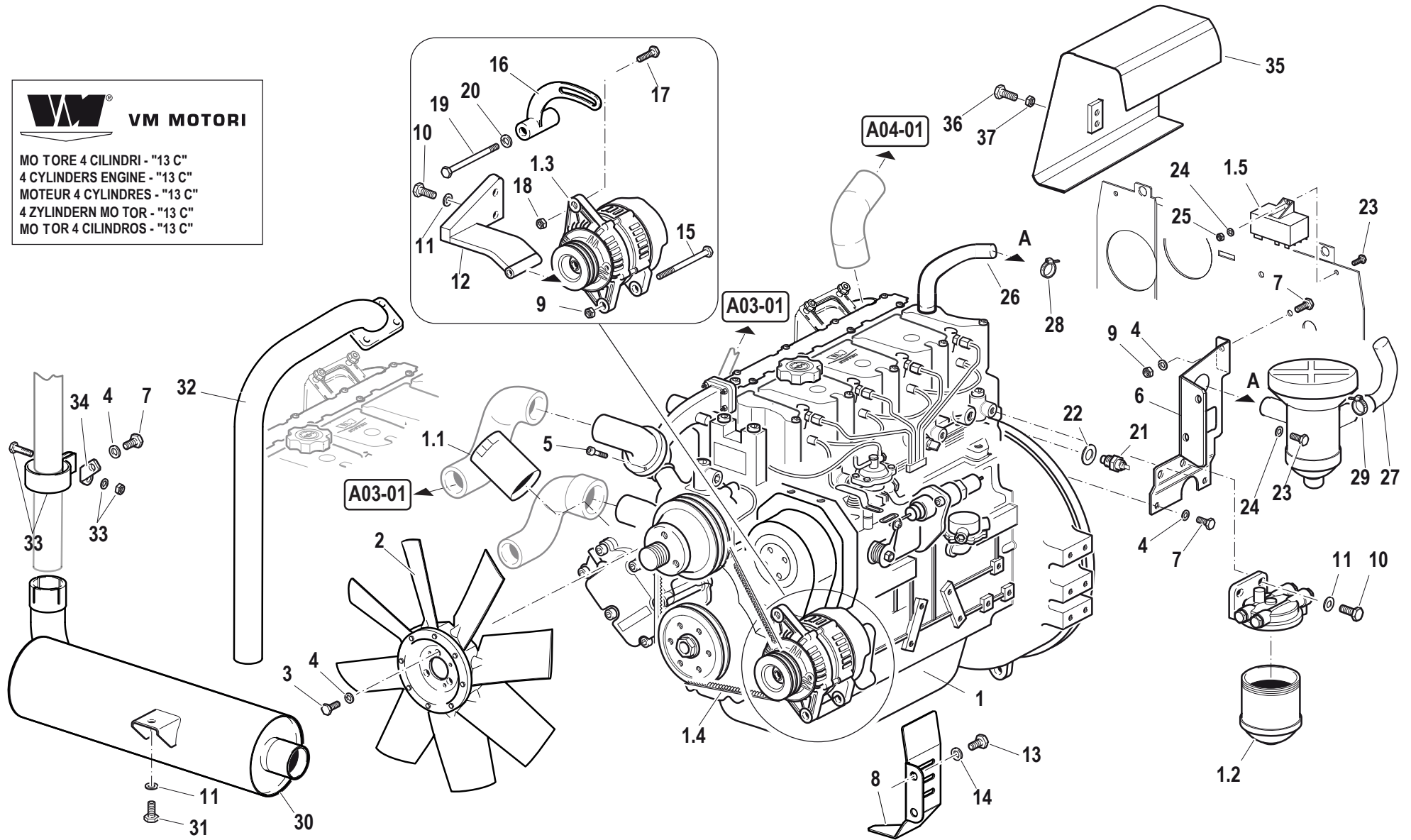
Code	Description	Notes
L.02.01.L70001_1	CONTROL VALVES	
L.02.02.L70001_0	CONTROL VALVES LEVERS	
L.02.02.L70001_1	CONTROL VALVES LEVERS	
L.02.03.L70001_0	CONTROL VALVES - 1 DOUBLE ACTING +1 SIMPLE ACTING WITH LOCKABLE DELIVERY POSITION	
L.02.03.L70001_1	CONTROL VALVES - 1 DOUBLE ACTING +1 SIMPLE ACTING WITH LOCKABLE DELIVERY POSITION	
L.02.04.L70001_0	CONTROL VALVES LEVERS - 1 DOUBLE ACTING +1 SIMPLE ACTING WITH LOCKABLE DELIVERY	
L.02.04.L70001_1	CONTROL VALVES LEVERS - 1 DOUBLE ACTING +1 SIMPLE ACTING WITH LOCKABLE DELIVERY	
L.02.05.L70001_0	CONTROL VALVES - 1 DOUBLE ACTING +1 DOUBLE ACTING WITH FLOAT VERSION	
L.02.05.L70001_1	CONTROL VALVES - 1 DOUBLE ACTING +1 DOUBLE ACTING WITH FLOAT VERSION	
L.02.06.L70001_0	CONTROL VALVES LEVERS - 1 DOUBLE ACTING +1 DOUBLE ACTING WITH FLOAT VERSION	
L.02.06.L70001_1	CONTROL VALVES LEVERS - 1 DOUBLE ACTING +1 DOUBLE ACTING WITH FLOAT VERSION	
L.11.01.L70001_0	RAISE/LOWER LIFT	
L.11.02.L70001_0	DRAFT CONTROL HYDRAULIC LIFT	
M.02.01.L70001_0	DRAFT CONTROL HYDRAULIC LIFT – RIGHT CONTROL VALVES LEVERS - STD	
M.02.01.L70001_1	DRAFT CONTROL HYDRAULIC LIFT – RIGHT CONTROL VALVES LEVERS - STD	
M.03.01.L70001_0	DRAFT CONTROL HYDRAULIC LIFT – LEFT CONTROL VALVES LEVERS - STD	
M.03.01.L70001_1	DRAFT CONTROL HYDRAULIC LIFT – LEFT CONTROL VALVES LEVERS - STD	
M.03.02.L70001_0	DRAFT CONTROL HYDRAULIC LIFT – LEFT CONTROL VALVES LEVERS - 1 DOUBLE ACTING +1 SIMPLE	
M.03.02.L70001_1	DRAFT CONTROL HYDRAULIC LIFT – LEFT CONTROL VALVES LEVERS - 1 DOUBLE ACTING +1 SIMPLE	
M.03.03.L70001_0	DRAFT CONTROL HYDRAULIC LIFT – LEFT CONTROL VALVES LEVERS - 1 DOUBLE ACTING +1	
M.03.03.L70001_1	DRAFT CONTROL HYDRAULIC LIFT – LEFT CONTROL VALVES LEVERS - 1 DOUBLE ACTING +1	
M.12.02.L70001_0	DRAFT CONTROL LIFT – CONTROL VALVES ARRANGEMENT - STD	
M.12.02.L70001_1	DRAFT CONTROL LIFT – CONTROL VALVES ARRANGEMENT - STD	
M.12.03.L70001_0	DRAFT CONTROL LIFT – CONTROL VALVES ARRANGEMENT - 1 DOUBLE ACTING +1 SIMPLE ACTING	
M.12.03.L70001_1	DRAFT CONTROL LIFT – CONTROL VALVES ARRANGEMENT - 1 DOUBLE ACTING +1 SIMPLE ACTING	
M.12.04.L70001_0	DRAFT CONTROL LIFT – CONTROL VALVES ARRANGEMENT - 1 DOUBLE ACTING +1 DOUBLE ACTING	
M.12.04.L70001_1	DRAFT CONTROL LIFT – CONTROL VALVES ARRANGEMENT - 1 DOUBLE ACTING +1 DOUBLE ACTING	
S.01.01.L70001_0	FRONT LIFT	
S.01.01.L70001_1	FRONT LIFT	
T.01.01.L70001_0	IMPLEMENTS ATTACHMENT - STD	
T.01.02.L70001_0	IMPLEMENTS ATTACHMENT WITH QUICK COUPLINGS	
T.01.03.L70001_0	IMPLEMENTS ATTACHMENT - ADJUSTABLE ARMS WITH QUICK HITCHES	
T.01.04.L70001_0	IMPLEMENTS ATTACHMENT WITH ADJUSTABLE QUICK COUPLINGS - HYDR. 3RD POINT	
T.01.05.L70001_0	IMPLEMENTS ATTACHMENT WITH QUICK COUPLINGS - HYDR. 3RD POINT AND TIE ROD VARIANT	

Code	Description	Notes
T.01.06.L70001_0	IMPLEMENTS ATTACHMENT - ADJUSTABLE ARMS WITH QUICK HITCHES - HYDR. 3RD POINT AND TIE	
T.02.01.L70001_0	PULL HOOK STD	
T.02.02.L70001_0	POOL HOOK "EEC" APPROVED	
T.02.03.L70001_0	SLIDER FRAME WITH POOL HOOK "EEC" APPROVED	
U.01.01.L70001_0	FRONT BALLASTS	
U.01.01.L70001_1	FRONT BALLASTS	
W.01.01.L70001_0	WHEELS AND TYRES 260/70-16 300/70-20	
W.01.02.L70001_0	WHEELS AND TYRES 250/80-18 280/85-24	
W.01.03.L70001_0	WHEELS AND TYRES 280/70-18 320/70-24	
W.01.04.L70001_0	WHEELS AND TYRES 340/65-18 420/65-24	
W.01.05.L70001_0	WHEELS AND TYRES 300/65-18 380/70-20	
W.01.06.L70001_0	WHEELS AND TYRES 260/70-16 340/65-20	
Y.01.01.L70001_0	CAB BF7 - FRAME	
Y.01.02.L70001_0	CAB BF7 - FRONT GLASS	
Y.01.03.L70001_0	CAB BF7 - REAR GLASS	
Y.01.04.L70001_0	CAB BF7 - DOOR	
Y.01.05.L70001_0	CAB BF7 - DASHBOARD	
Y.02.01.L70001_0	COMPACT CAB BF6 - FRAME	
Y.02.02.L70001_0	COMPACT CAB BF6 - FRONT GLASS	
Y.02.03.L70001_0	COMPACT CAB BF6 - REAR GLASS	
Y.02.04.L70001_0	COMPACT CAB BF6 - DOOR	
Y.02.04.L70001_1	COMPACT CAB BF6 - DOOR	
Y.02.04.L70001_2	COMPACT CAB BF6 - DOOR	
Y.02.05.L70001_0	COMPACT CAB BF6 - DASHBOARD	



**VM MOTORI**

MO TORE 4 CILINDRI - "13 C"  
4 CYLINDERS ENGINE - "13 C"  
MOTEUR 4 CYLINDRES - "13 C"  
4 ZYLINDERN MO TOR - "13 C"  
MO TOR 4 CILINDROS - "13 C"



Pos.	Code	Q.ty	Description	Notes
7	31111151	4	SCREW TE M8X16 UNI 5739 8G	
13	31112082	2	SCREW TE M6X12 UNI 5739 8G	
23	31112090	2	SCREW TE M6X16 UNI 5739 8G	
3	31112150	3	SCREW TE M8X20 UNI 5739 8G	
17	31112153	1	SCREW TE M8X35 UNI 5739 8G	
15	31112174	1	SCREW TE M8X110 UNI 5737 8.8	
31	31112208	1	SCREW TE M10X16 UNI 5739	
10	31112219	5	SCREW TE M10X25 UNI 5739	
25	31211060	2	HEXAGONAL NUT M8	
9	31211080	2	NUT M8	
37	31215100	2	NUT M10	
14	31411064	2	WASHER 6,4x12,5	
18	31421083	1	WASHER	
20	31421251	1	WASHER	
1	41U50000	1	MOT.VM D754E2.21A 47KW 13C/4	
26	55176744	1	PIPE	
34	56177183	1	REINFORCED STRAP	
8	56177979	1	SHIELD	
2	57376726	1	FAN	
1,1	58171199	1	OIL FILTER CARTRIDGE	
1,2	58171200	1	FUEL FILTER CARTRIDGE	
33	58175121	1	COLLAR	
21	58175773	1	ELECTRONICAL THERMOMETER	
30	58176618	1	EXHAUST SILENCER	
27	58177400	1	OIL PIPE	
32	59076620	1	EXHAUST	
16	59076688	1	ROD	
12	59077318	1	SUPPORT	
35	59077480	1	GUARD	
6	59079167	1	RETAINER	
1,3	59900344	1	ALTERNATOR	
1,5	59900345	1	CENTRAL PROCESSING UNIT	
1,4	59900766	1	BELT	
29	F0817500200	1	CLAMP 015,7-706R	

SERIAL  
END

**912460**

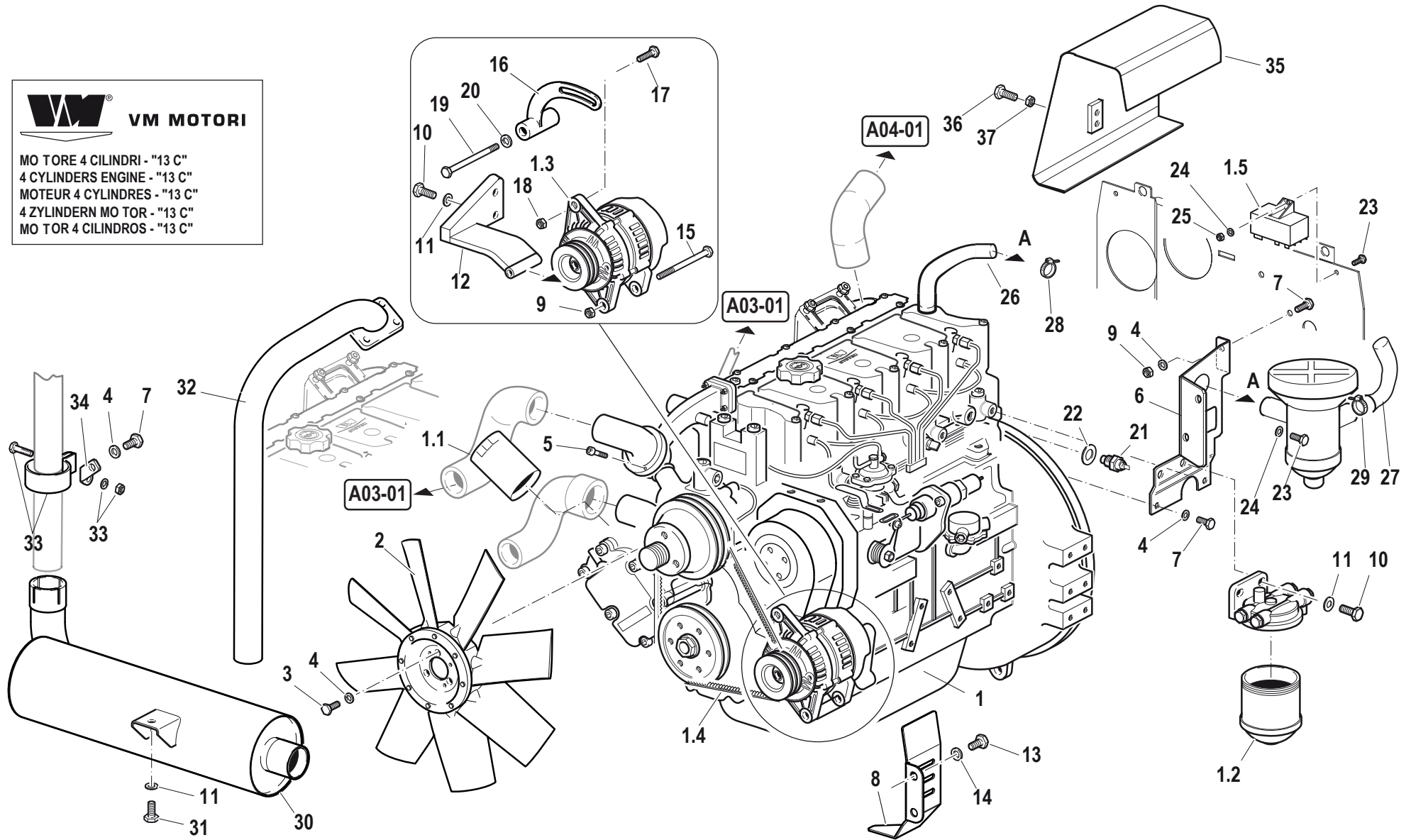
**ENGINE 75 CV**

CODE REV

**A.01.01.L70001\_0**

**VM MOTORI**

MO TORE 4 CILINDRI - "13 C"  
4 CYLINDERS ENGINE - "13 C"  
MOTEUR 4 CYLINDRES - "13 C"  
4 ZYLINDERN MO TOR - "13 C"  
MO TOR 4 CILINDROS - "13 C"



Pos.	Code	Q.ty	Description	Notes
28	F0817500400	3	CLAMP 024,1-706R	
36	F0838384000	2	STUD BOLT M10X25 UNI 5911 8.8	
24	F0843570000	2	WASHER 6	
4	F0843643060	7	WASHER 8	
11	F0843755000	6	WASHER 10	
22	F0844030070	1	COPPER WASHER 16,0x22/1,5	
5	F0862479035	1	SCREW	
19	F0864335020	1	SCREW M14X120 UNI 5737	

SERIAL  
END

**912460**

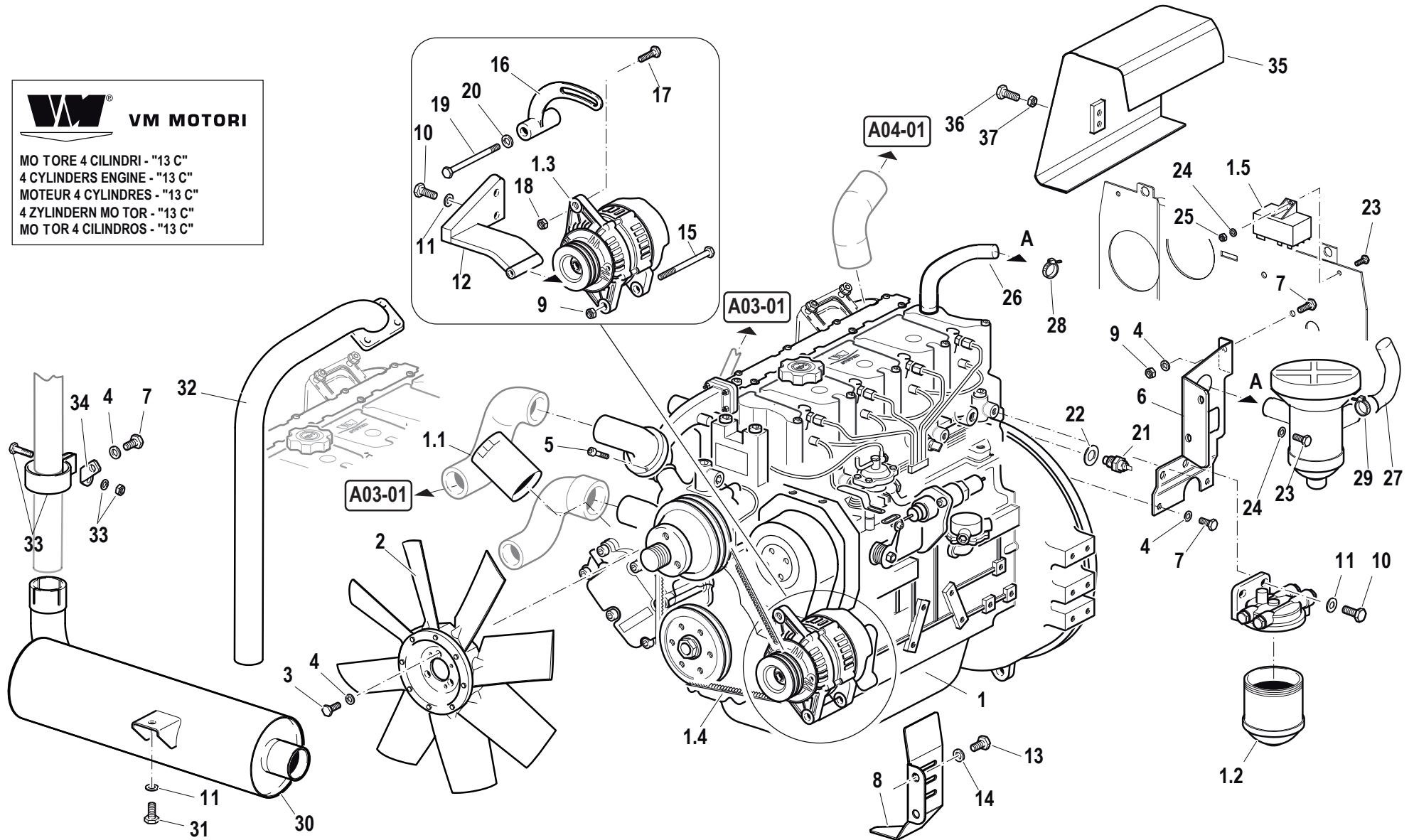
**ENGINE 75 CV**

CODE REV

**A.01.01.L70001\_0**

**VM MOTORI**

MO TORE 4 CILINDRI - "13 C"  
4 CYLINDERS ENGINE - "13 C"  
MOTEUR 4 CYLINDRES - "13 C"  
4 ZYLINDERN MO TOR - "13 C"  
MO TOR 4 CILINDROS - "13 C"



Pos.	Code	Q.ty	Description	Notes
7	31111151	4	SCREW TE M8X16 UNI 5739 8G	
13	31112082	2	SCREW TE M6X12 UNI 5739 8G	
23	31112090	2	SCREW TE M6X16 UNI 5739 8G	
3	31112150	3	SCREW TE M8X20 UNI 5739 8G	
17	31112153	1	SCREW TE M8X35 UNI 5739 8G	
15	31112174	1	SCREW TE M8X110 UNI 5737 8.8	
31	31112208	1	SCREW TE M10X16 UNI 5739	
10	31112219	5	SCREW TE M10X25 UNI 5739	
25	31211060	2	HEXAGONAL NUT M8	
9	31211080	2	NUT M8	
37	31215100	2	NUT M10	
14	31411064	2	WASHER 6,4x12,5	
18	31421083	1	WASHER	
20	31421251	1	WASHER	
1	41U50000	1	MOT.VM D754E2.21A 47KW 13C/4	
26	55176744	1	PIPE	
34	56177183	1	REINFORCED STRAP	
8	56177979	1	SHIELD	
2	57376726	1	FAN	
1,1	58171199	1	OIL FILTER CARTRIDGE	
1,2	58171200	1	FUEL FILTER CARTRIDGE	
33	58175121	1	COLLAR	
21	58175773	1	ELECTRONICAL THERMOMETER	
30	58176618	1	EXHAUST SILENCER	
27	58177400	1	OIL PIPE	
32	59076620	1	EXHAUST	
16	59076688	1	ROD	
12	59077318	1	SUPPORT	
35	59077480	1	GUARD	
6	59079167	1	RETAINER	
1,3	59900344	1	ALTERNATOR	
1,5	59900345	1	CENTRAL PROCESSING UNIT	
1,4	59900766	1	BELT	
29	F0817500200	1	CLAMP 015,7-706R	

SERIAL  
END

**912460**

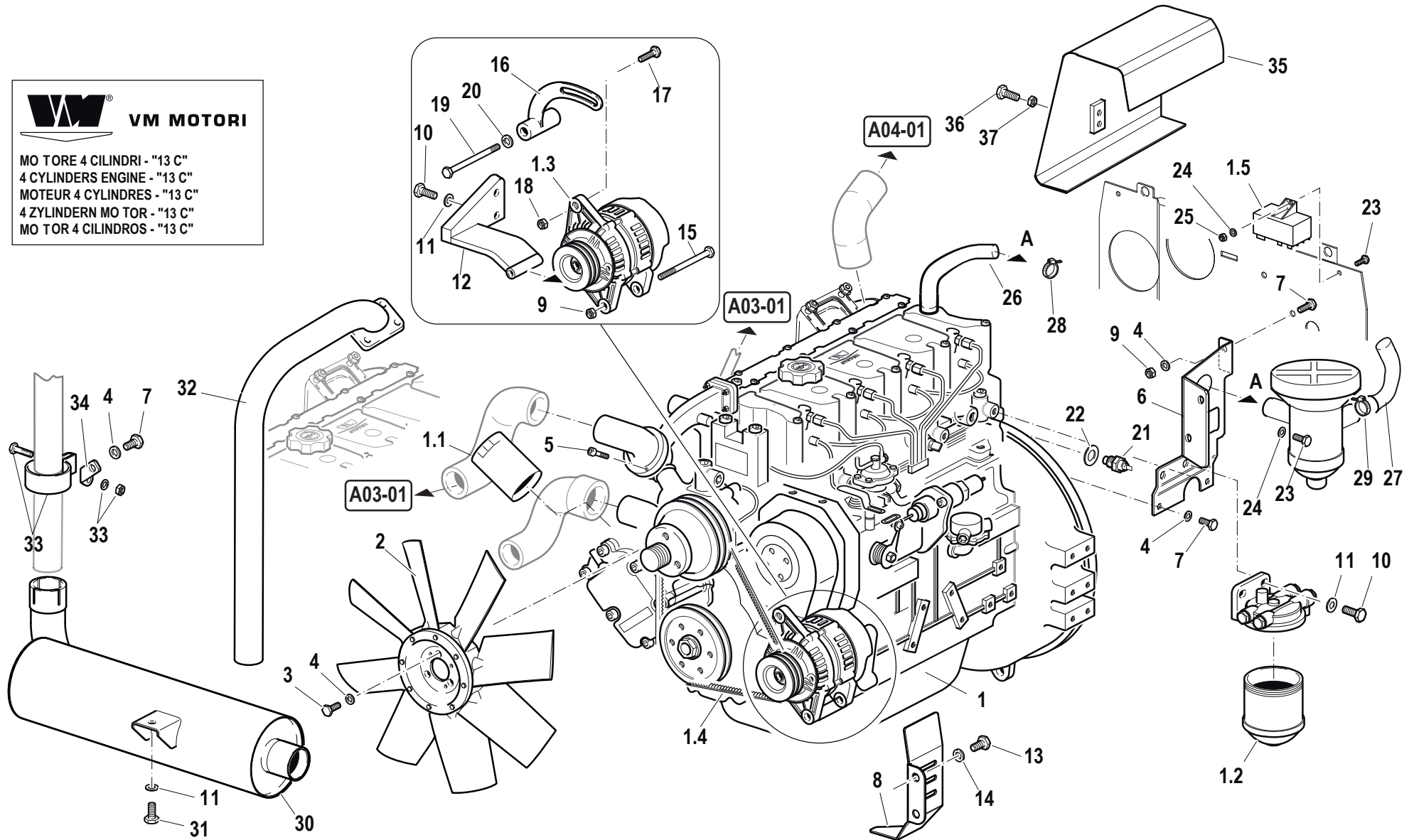
**ENGINE 75 CV**

CODE REV

**A.01.01.L70001\_0**

**VM MOTORI**

MO TORE 4 CILINDRI - "13 C"  
4 CYLINDERS ENGINE - "13 C"  
MOTEUR 4 CYLINDRES - "13 C"  
4 ZYLINDERN MO TOR - "13 C"  
MO TOR 4 CILINDROS - "13 C"



Pos.	Code	Q.ty	Description	Notes
28	F0817500400	3	CLAMP 024,1-706R	
36	F0838384000	2	STUD BOLT M10X25 UNI 5911 8.8	
24	F0843570000	2	WASHER 6	
4	F0843643060	7	WASHER 8	
11	F0843755000	6	WASHER 10	
22	F0844030070	1	COPPER WASHER 16,0x22/1,5	
5	F0862479035	1	SCREW	
19	F0864335020	1	SCREW M14X120 UNI 5737	

SERIAL  
END

**912460**

**ENGINE 75 CV**

CODE REV

**A.01.01.L70001\_0**






# ENGINE 75 CV

CODE REV

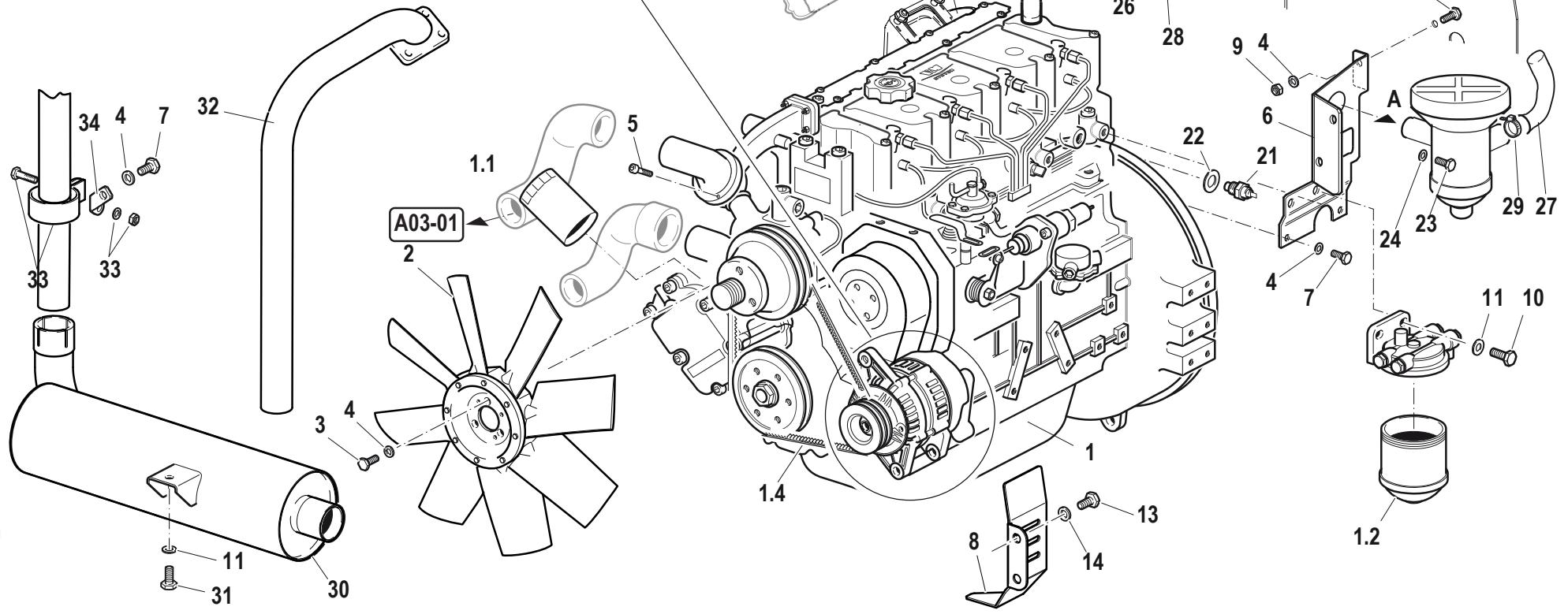
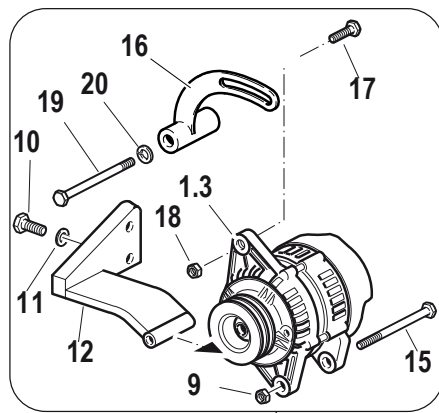
A.01.01.L70001\_1

SERIAL START 912461 END 916940



**VM MOTORI**

MO TORE 4 CILINDRI - "13 C"  
 4 CYLINDERS ENGINE - "13 C"  
 MOTEUR 4 CYLINDRES - "13 C"  
 4 ZYLINDERN MO TOR - "13 C"  
 MO TOR 4 CILINDROS - "13 C"



A.01.01.L60007\_1

Pos.	Code	Q.ty	Description	Notes
5	31111151	4	SCREW TE M8X16 UNI 5739 8G	
11	31112082	2	SCREW TE M6X12 UNI 5739 8G	
21	31112090	2	SCREW TE M6X16 UNI 5739 8G	
15	31112153	1	SCREW TE M8X35 UNI 5739 8G	
13	31112174	1	SCREW TE M8X110 UNI 5737 8.8	
29	31112208	1	SCREW TE M10X16 UNI 5739	
8	31112219	5	SCREW TE M10X25 UNI 5739	
23	31211060	2	HEXAGONAL NUT M8	
7	31211080	2	NUT M8	
12	31411064	2	WASHER 6,4x12,5	
16	31421083	1	WASHER	
18	31421251	1	WASHER	
1	41U50000	1	MOT.VM D754E2.21A 47KW 13C/4	
24	55176744	1	PIPE	
32	56177183	1	REINFORCED STRAP	
6	56177979	1	SHIELD	
1,1	58171199	1	OIL FILTER CARTRIDGE	
1,2	58171200	1	FUEL FILTER CARTRIDGE	
31	58175121	1	COLLAR	
19	58175773	1	ELECTRONICAL THERMOMETER	
28	58176618	1	EXHAUST SILENCER	
25	58177400	1	OIL PIPE	
30	59076620	1	EXHAUST	
14	59076688	1	ROD	
10	59077318	1	SUPPORT	
3	59079167	1	RETAINER	
1,3	59900344	1	ALTERNATOR	
1,5	59900345	1	CENTRAL PROCESSING UNIT	
1,4	59900766	1	BELT	
27	F0817500200	1	CLAMP 015,7-706R	
26	F0817500400	3	CLAMP 024,1-706R	
22	F0843570000	2	WASHER 6	
4	F0843643060	7	WASHER 8	
9	F0843755000	6	WASHER 10	

SERIAL  
START  
**912461**

END  
**916940**

**ENGINE 75 CV**

CODE REV

**A.01.01.L70001\_1**



# ENGINE 75 CV

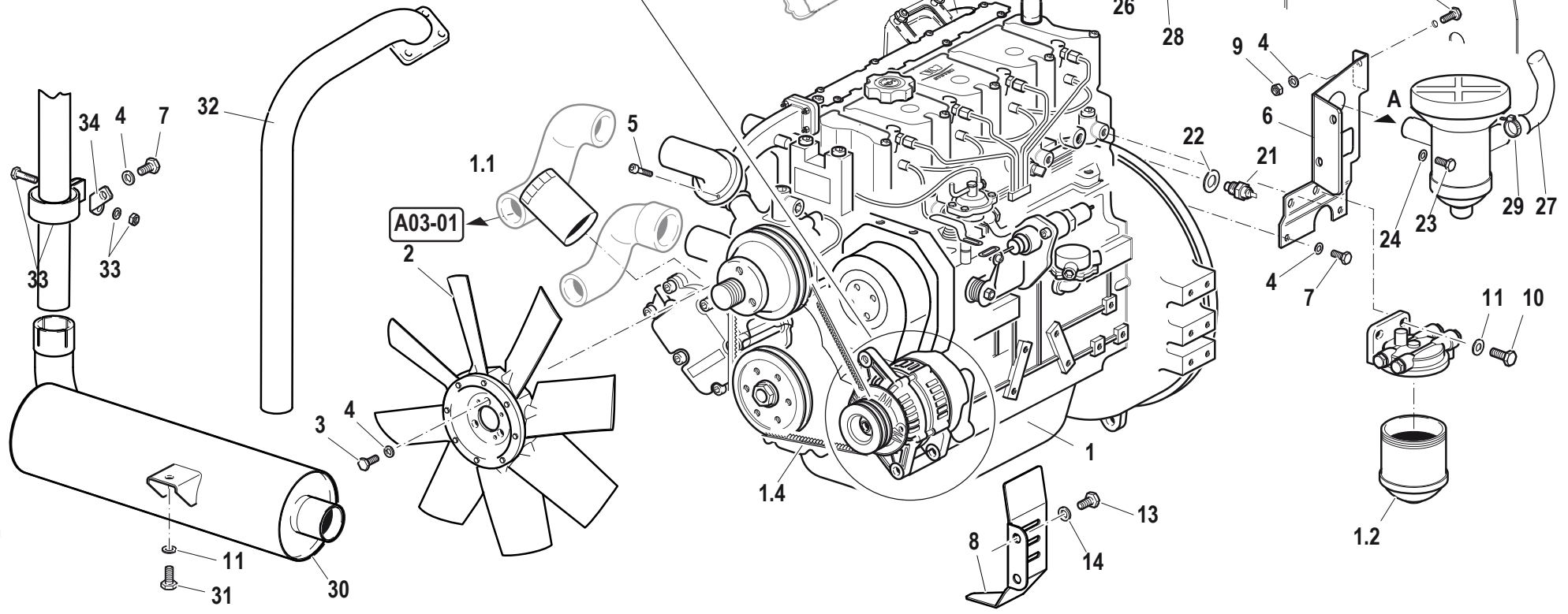
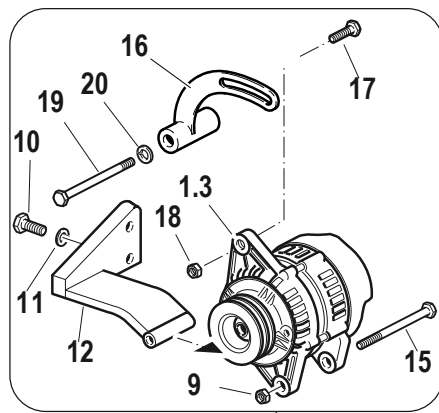
CODE REV

A.01.01.L70001\_1

SERIAL START 912461 END 916940

**VM MOTORI**

MO TORE 4 CILINDRI - "13 C"  
 4 CYLINDERS ENGINE - "13 C"  
 MOTEUR 4 CYLINDRES - "13 C"  
 4 ZYLINDERN MO TOR - "13 C"  
 MO TOR 4 CILINDROS - "13 C"



A.01.01.L60007\_1


<b>Pos.</b>	<b>Code</b>	<b>Q.ty</b>	<b>Description</b>	<b>Notes</b>
20	F0844030070	1	COPPER WASHER 16,0x22/1,5	
2	F0862479035	1	SCREW	
17	F0864335020	1	SCREW M14X120 UNI 5737	

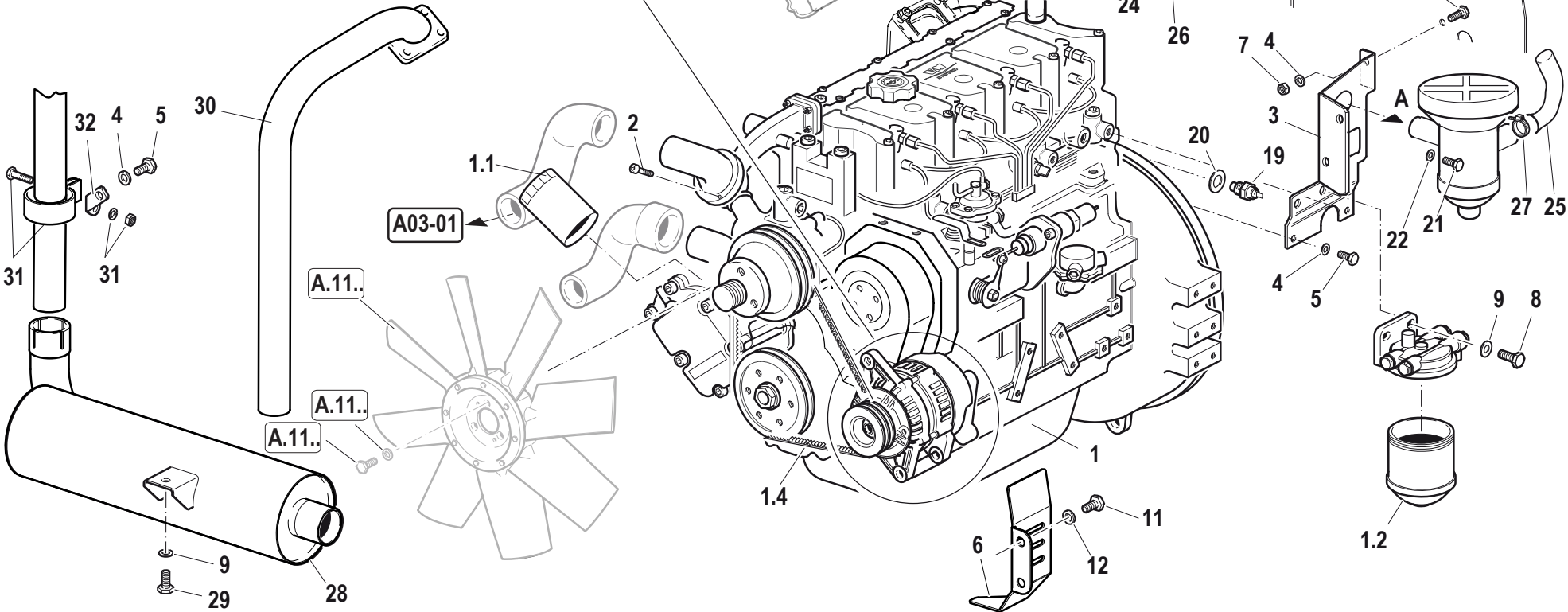
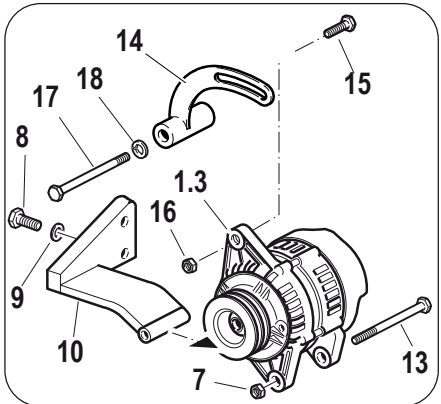
SERIAL  
START  
**912461**

END  
**916940**

**ENGINE 75 CV**

CODE REV  
**A.01.01.L70001\_1**

 **VM MOTORI**  
MO TORE 4 CILINDRI - "13 C"  
4 CYLINDERS ENGINE - "13 C"  
MOTEUR 4 CYLINDRES - "13 C"  
4 ZYLINDERN MO TOR - "13 C"  
MO TOR 4 CILINDROS - "13 C"



Pos.	Code	Q.ty	Description	Notes
5	31111151	4	SCREW TE M8X16 UNI 5739 8G	
11	31112082	2	SCREW TE M6X12 UNI 5739 8G	
21	31112090	2	SCREW TE M6X16 UNI 5739 8G	
15	31112153	1	SCREW TE M8X35 UNI 5739 8G	
13	31112174	1	SCREW TE M8X110 UNI 5737 8.8	
29	31112208	1	SCREW TE M10X16 UNI 5739	
8	31112219	5	SCREW TE M10X25 UNI 5739	
23	31211060	2	HEXAGONAL NUT M8	
7	31211080	2	NUT M8	
12	31411064	2	WASHER 6,4x12,5	
16	31421083	1	WASHER	
18	31421251	1	WASHER	
1	41U50000	1	MOT.VM D754E2.21A 47KW 13C/4	
24	55176744	1	PIPE	
32	56177183	1	REINFORCED STRAP	
6	56177979	1	SHIELD	
1,1	58171199	1	OIL FILTER CARTRIDGE	
1,2	58171200	1	FUEL FILTER CARTRIDGE	
31	58175121	1	COLLAR	
19	58175773	1	ELECTRONICAL THERMOMETER	
28	58176618	1	EXHAUST SILENCER	
25	58177400	1	OIL PIPE	
30	59076620	1	EXHAUST	
14	59076688	1	ROD	
10	59077318	1	SUPPORT	
3	59079167	1	RETAINER	
1,3	59900344	1	ALTERNATOR	
1,5	59900345	1	CENTRAL PROCESSING UNIT	
1,4	59900766	1	BELT	
27	F0817500200	1	CLAMP 015,7-706R	
26	F0817500400	3	CLAMP 024,1-706R	
22	F0843570000	2	WASHER 6	
4	F0843643060	7	WASHER 8	
9	F0843755000	6	WASHER 10	

SERIAL  
START  
**912461**

END  
**916940**

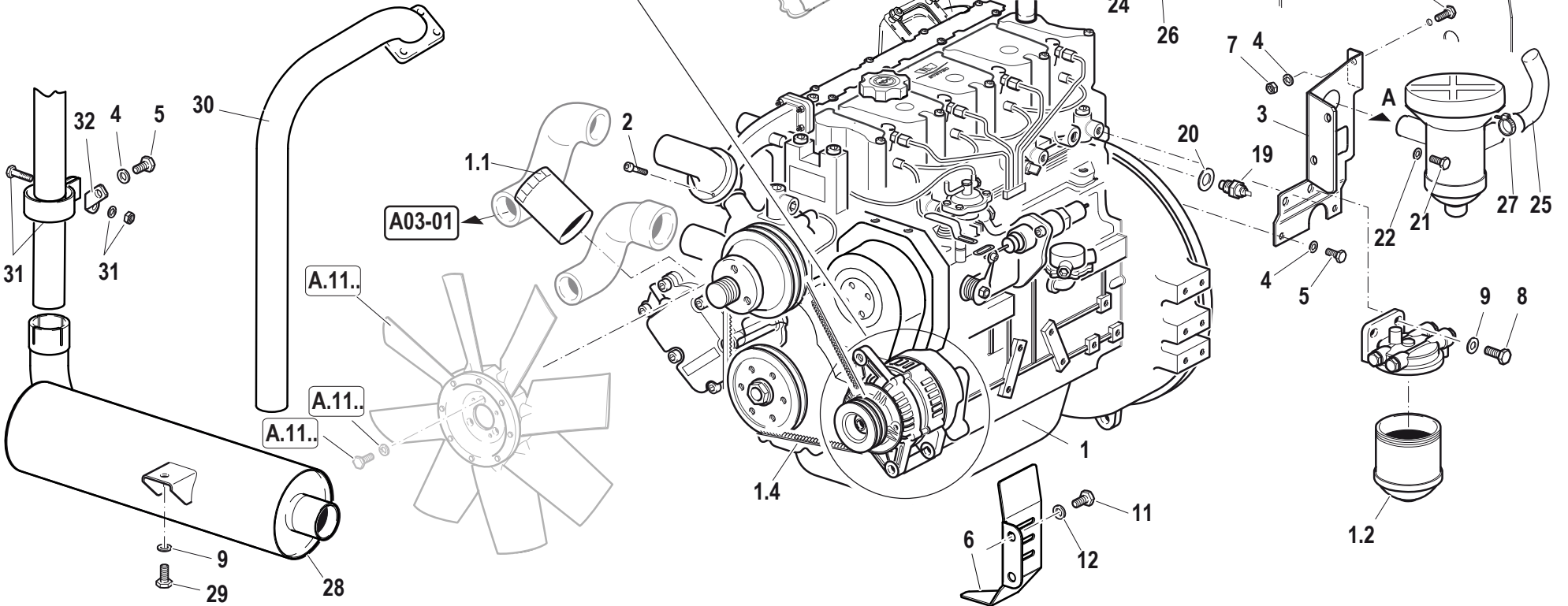
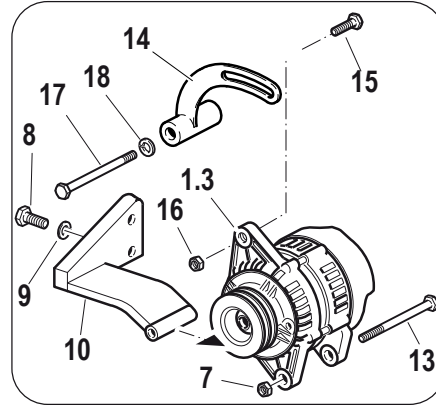
**ENGINE 75 CV**

CODE REV

**A.01.01.L70001\_1**



MO TORE 4 CILINDRI - "13 C"  
4 CYLINDERS ENGINE - "13 C"  
MOTEUR 4 CYLINDRES - "13 C"  
4 ZYLINDERN MO TOR - "13 C"  
MO TOR 4 CILINDROS - "13 C"



<b>Pos.</b>	<b>Code</b>	<b>Q.ty</b>	<b>Description</b>	<b>Notes</b>
20	F0844030070	1	COPPER WASHER 16,0x22/1,5	
2	F0862479035	1	SCREW	
17	F0864335020	1	SCREW M14X120 UNI 5737	

SERIAL  
START  
**912461**

END  
**916940**

**ENGINE 75 CV**

CODE REV  
**A.01.01.L70001\_1**





Pos.	Code	Q.ty	Description	Notes
52	30021080	1	CLAMP	
57	31111091	1	SCREW E M6X14 UNI 5739 8G	
7	31111151	4	SCREW TE M8X16 UNI 5739 8G	
50	31112051	1	SCREW TE M5X14 UNI 5739 8G	
30	31112089	2	SCREW TE M6X25 UNI 5739 8G	
47	31112090	1	SCREW TE M6X16 UNI 5739 8G	
65	31112146	1	SCREW TE M8X22 UNI 5739 8G	
40	31112149	1	SCREW TE M8X12 UNI 5739 8G	
8	31112151	4	SCREW TE M8X25 UNI 5739 8G	
20	31112152	1	SCREW TE M8X30 UNI 5739 8G	
5	31112154	1	SCREW TE M8X40 UNI 5739 8G	
16	31112174	1	SCREW TE M8X110 UNI 5737 8.8	
63	31112208	2	SCREW TE M10X16 UNI 5739	
35	31112210	1	SCREW TE M10X20 UNI 5739	
13	31112219	1	SCREW TE M10X25 UNI 5739	
29	31132566	1	SCREW TSVEI M8X20 UNI 5933	
51	31211050	1	NUT M5	
33	31211060	3	HEXAGONAL NUT M8	
11	31211080	5	NUT M8	
31	31411064	2	WASHER 6,4x12,5	
9	31411084	2	WASHER 8,4x17	
41	31411090	1	WASHER 9x24	
21	31421083	2	WASHER	
39	35111047	1	SEEGER RING	
38	37112172	1	BEARING	
1	41X80001	1	MOT.VM D753IE3.21A 68cv INT. *	
43	56171996	1	SPACER	
60	56172950	1	PIPE FITTING	
17	561A0579	1	SHIELD	
3	561A0589	1	SPACER	
28	561A0786	1	FIXING BRACKET	
18	561A0940	1	BRACKET	
37	563A0258	1	PULLEY	
36	563A0265	1	SCREW	

SERIAL  
START  
**916941**

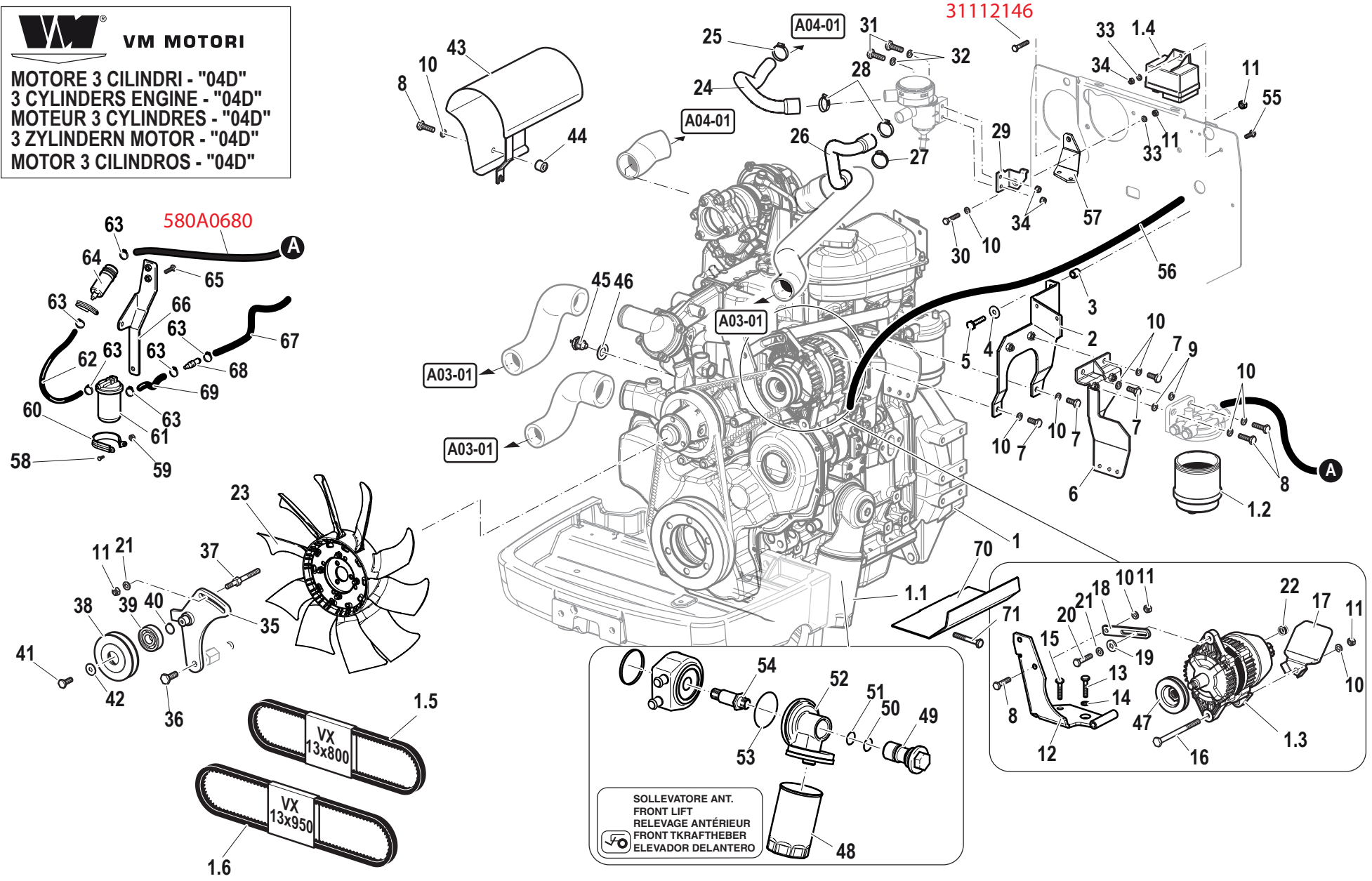
**ENGINE 75 CV**

CODE REV

**A.01.01.L70001\_2**

SERIAL START 916941

**MOTORE 3 CILINDRI - "04D"**  
**3 CYLINDERS ENGINE - "04D"**  
**MOTEUR 3 CYLINDRES - "04D"**  
**3 ZYLINDER MOTOR - "04D"**  
**MOTOR 3 CILINDROS - "04D"**



A.01.01.L60007\_2

Pos.	Code	Q.ty	Description	Notes
48	580A0607	1	TUBO CARBOPRESS(8x15)L=720	
23	580A0608	1	TUBO DECANT/FILTRO ARIA 75CV	
59	580A0677	1	TUBO CARBOPRESS(8x15)L=420	
61	580A0678	1	TUBO CARBOPRESS(6x12)L=40	
54	580A0679	1	TUBO CARBOPRESS(8x15)L=150	
64	580A0680	1	FLEXIBLE HOSE (8x15) L=570	
25	580A0787	1	TUBO COP-CIL.DECANTATORE 75	
22	58170866	1	NUT COVER	
1,1	58171199	1	OIL FILTER CARTRIDGE	
1,2	58171200	1	FUEL FILTER CARTRIDGE	
44	58175773	1	ELECTRONICAL THERMOMETER	
12	590A0082	1	RETAINER	
34	590A0262	1	BRACKET	
42	590A0359	1	GUARD	
2	590A0387	1	FILTER SUPPORT	
6	590A0388	1	FILTER SUPPORT	
49	590A0578	1	BRACKET	
58	590A0676	1	BRACKET	
62	590A1939	1	DEFLETTORE VENTOLA 75	
1,3	59900344	1	ALTERNATOR	
1,4	59900345	1	CENTRAL PROCESSING UNIT	
46	59901300	1	PULLEY ALTERNATOR	
56	59901470	1	POMPA CARBURANTE 45182003F	
53	59901471	1	PREFILTRO GASOLIO 35312035F mr	
24	F0817500400	1	CLAMP 024,1-706R	
27	F0817500410	2	CLAMP 025,6-706R	
26	F0817500430	1	CLAMP 030,1-706R	
55	F0817505200	6	FAS.10-19 SE519W4(30021119)*mr	
32	F0843570000	2	WASHER 6	
10	F0843643060	10	WASHER 8	
4	F0843696000	1	WASHER	
19	F0843711000	1	WASHER D.24x8,5/4	
14	F0843755000	2	WASHER 10	
45	F0844030070	1	COPPER WASHER 16,0x22/1,5	

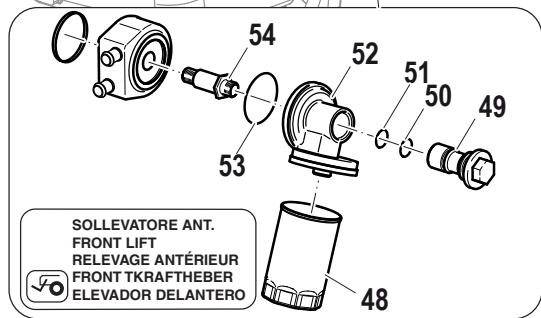
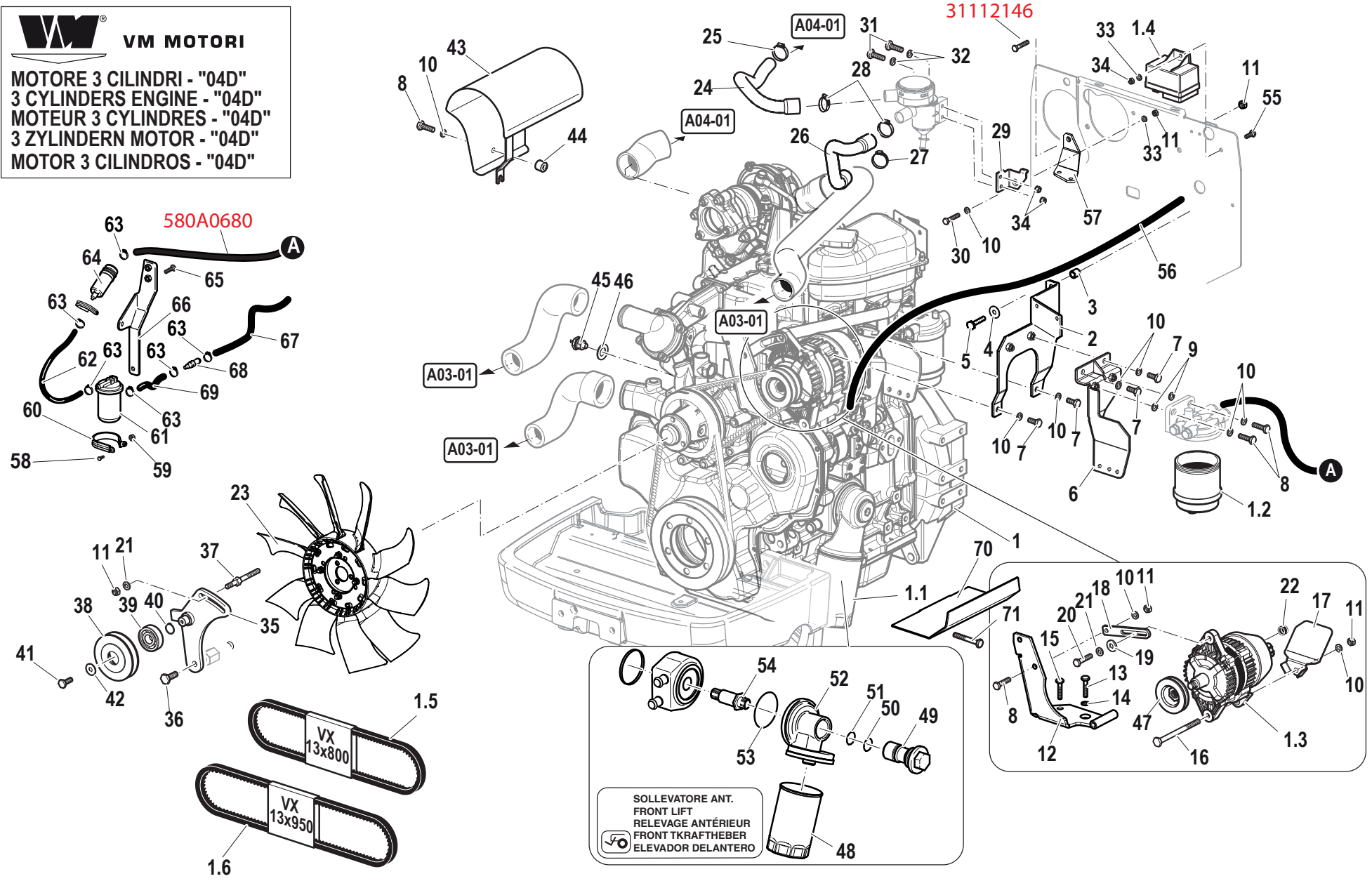
SERIAL  
START  
**916941**

**ENGINE 75 CV**

CODE REV

**A.01.01.L70001\_2**

**VM MOTORI**  
 MOTORE 3 CILINDRI - "04D"  
 3 CYLINDERS ENGINE - "04D"  
 MOTEUR 3 CYLINDRES - "04D"  
 3 ZYLINDER MOTOR - "04D"  
 MOTOR 3 CILINDROS - "04D"



A.01.01.L60007\_2

Pos.	Code	Q.ty	Description	Notes
15	F0863208050	1	SCREW M10X20 UNI 5933	

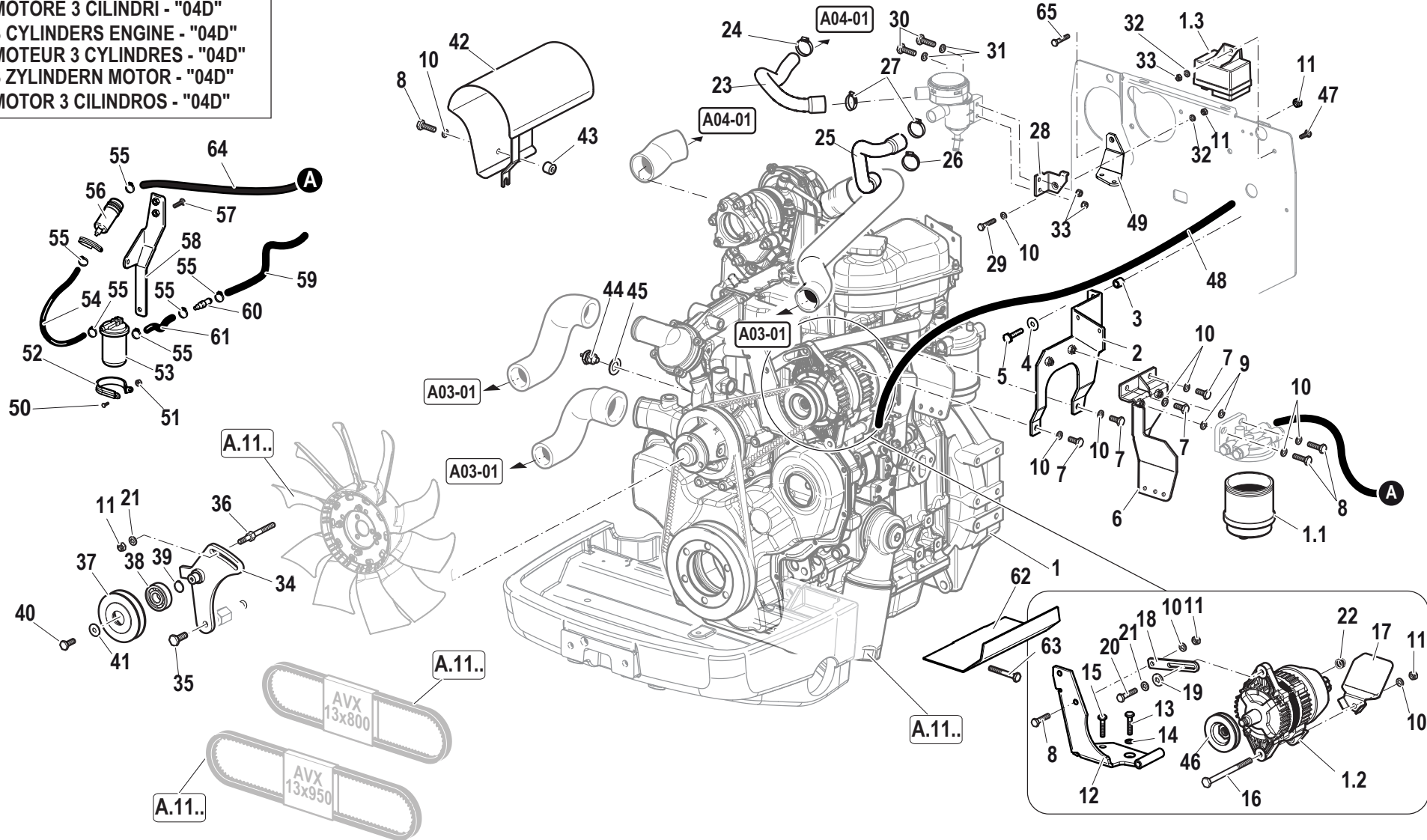
SERIAL  
START  
**916941**

**ENGINE 75 CV**

CODE REV  
**A.01.01.L70001\_2**

SERIAL START 916941

**VM MOTORI**  
MOTORE 3 CILINDRI - "04D"  
3 CYLINDERS ENGINE - "04D"  
MOTEUR 3 CYLINDRES - "04D"  
3 ZYLINDERN MOTOR - "04D"  
MOTOR 3 CILINDROS - "04D"



Pos.	Code	Q.ty	Description	Notes
52	30021080	1	CLAMP	
57	31111091	1	SCREW E M6X14 UNI 5739 8G	
7	31111151	4	SCREW TE M8X16 UNI 5739 8G	
50	31112051	1	SCREW TE M5X14 UNI 5739 8G	
30	31112089	2	SCREW TE M6X25 UNI 5739 8G	
47	31112090	1	SCREW TE M6X16 UNI 5739 8G	
65	31112146	1	SCREW TE M8X22 UNI 5739 8G	
40	31112149	1	SCREW TE M8X12 UNI 5739 8G	
8	31112151	4	SCREW TE M8X25 UNI 5739 8G	
20	31112152	1	SCREW TE M8X30 UNI 5739 8G	
5	31112154	1	SCREW TE M8X40 UNI 5739 8G	
16	31112174	1	SCREW TE M8X110 UNI 5737 8.8	
63	31112208	2	SCREW TE M10X16 UNI 5739	
35	31112210	1	SCREW TE M10X20 UNI 5739	
13	31112219	1	SCREW TE M10X25 UNI 5739	
29	31132566	1	SCREW TSVEI M8X20 UNI 5933	
51	31211050	1	NUT M5	
33	31211060	3	HEXAGONAL NUT M8	
11	31211080	5	NUT M8	
31	31411064	2	WASHER 6,4x12,5	
9	31411084	2	WASHER 8,4x17	
41	31411090	1	WASHER 9x24	
21	31421083	2	WASHER	
39	35111047	1	SEEGER RING	
38	37112172	1	BEARING	
1	41X80001	1	MOT.VM D753IE3.21A 68cv INT. *	
43	56171996	1	SPACER	
60	56172950	1	PIPE FITTING	
17	561A0579	1	SHIELD	
3	561A0589	1	SPACER	
28	561A0786	1	FIXING BRACKET	
18	561A0940	1	BRACKET	
37	563A0258	1	PULLEY	
36	563A0265	1	SCREW	

SERIAL  
START  
**916941**

**ENGINE 75 CV**

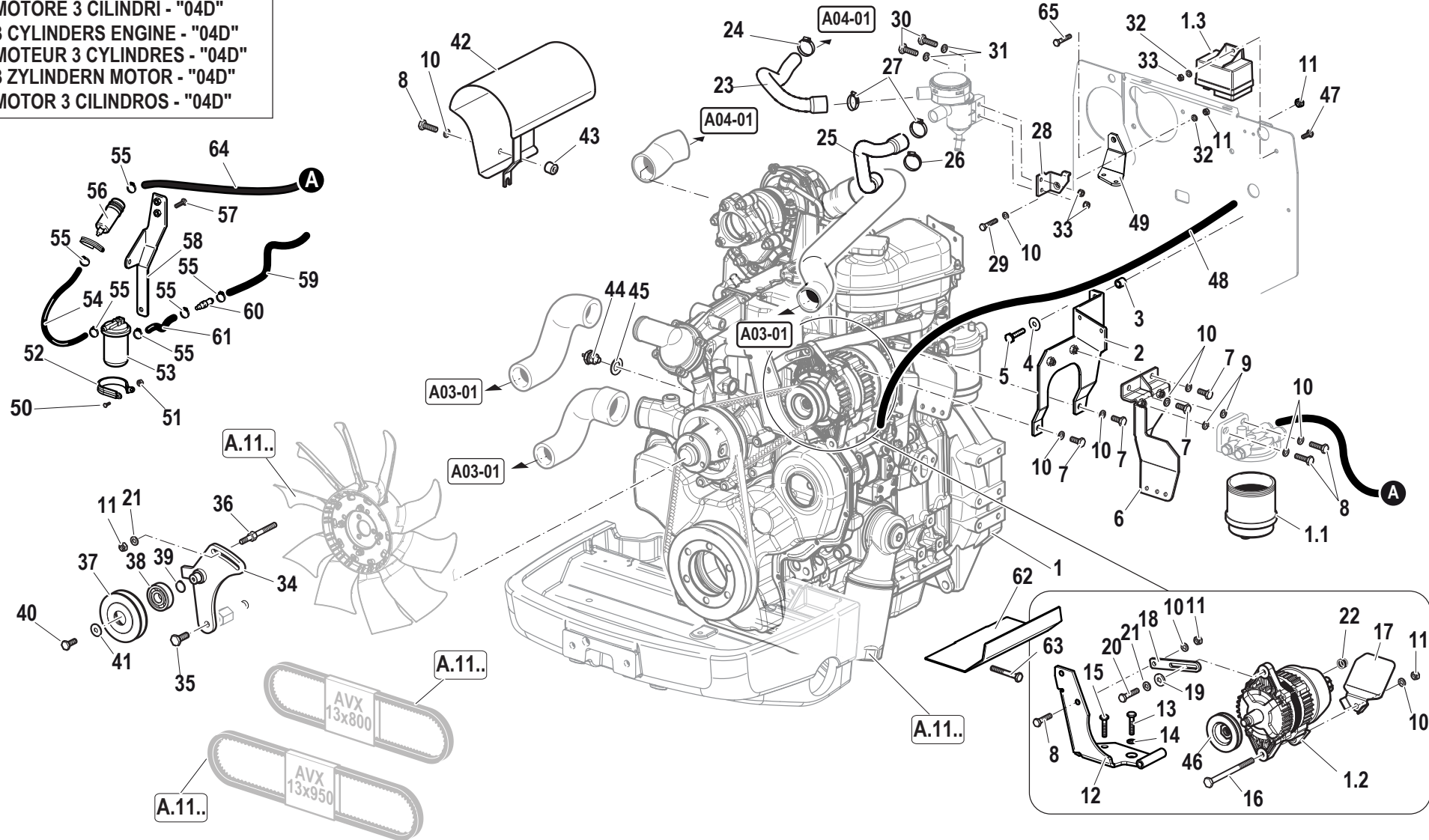
CODE REV

**A.01.01.L70001\_2**



SERIAL START 916941

**VM MOTORI**  
MOTORE 3 CILINDRI - "04D"  
3 CYLINDERS ENGINE - "04D"  
MOTEUR 3 CYLINDRES - "04D"  
3 ZYLINDERN MOTOR - "04D"  
MOTOR 3 CILINDROS - "04D"



Pos.	Code	Q.ty	Description	Notes
48	580A0607	1	TUBO CARBOPRESS(8x15)L=720	
23	580A0608	1	TUBO DECANT/FILTRO ARIA 75CV	
59	580A0677	1	TUBO CARBOPRESS(8x15)L=420	
61	580A0678	1	TUBO CARBOPRESS(6x12)L=40	
54	580A0679	1	TUBO CARBOPRESS(8x15)L=150	
64	580A0680	1	FLEXIBLE HOSE (8x15) L=570	
25	580A0787	1	TUBO COP-CIL.DECANTATORE 75	
22	58170866	1	NUT COVER	
1,1	58171199	1	OIL FILTER CARTRIDGE	
1,2	58171200	1	FUEL FILTER CARTRIDGE	
44	58175773	1	ELECTRONICAL THERMOMETER	
12	590A0082	1	RETAINER	
34	590A0262	1	BRACKET	
42	590A0359	1	GUARD	
2	590A0387	1	FILTER SUPPORT	
6	590A0388	1	FILTER SUPPORT	
49	590A0578	1	BRACKET	
58	590A0676	1	BRACKET	
62	590A1939	1	DEFLETTORE VENTOLA 75	
1,3	59900344	1	ALTERNATOR	
1,4	59900345	1	CENTRAL PROCESSING UNIT	
46	59901300	1	PULLEY ALTERNATOR	
56	59901470	1	POMPA CARBURANTE 45182003F	
53	59901471	1	PREFILTRO GASOLIO 35312035F mr	
24	F0817500400	1	CLAMP 024,1-706R	
27	F0817500410	2	CLAMP 025,6-706R	
26	F0817500430	1	CLAMP 030,1-706R	
55	F0817505200	6	FAS.10-19 SE519W4(30021119)*mr	
32	F0843570000	2	WASHER 6	
10	F0843643060	10	WASHER 8	
4	F0843696000	1	WASHER	
19	F0843711000	1	WASHER D.24x8,5/4	
14	F0843755000	2	WASHER 10	
45	F0844030070	1	COPPER WASHER 16,0x22/1,5	

SERIAL  
START  
**916941**

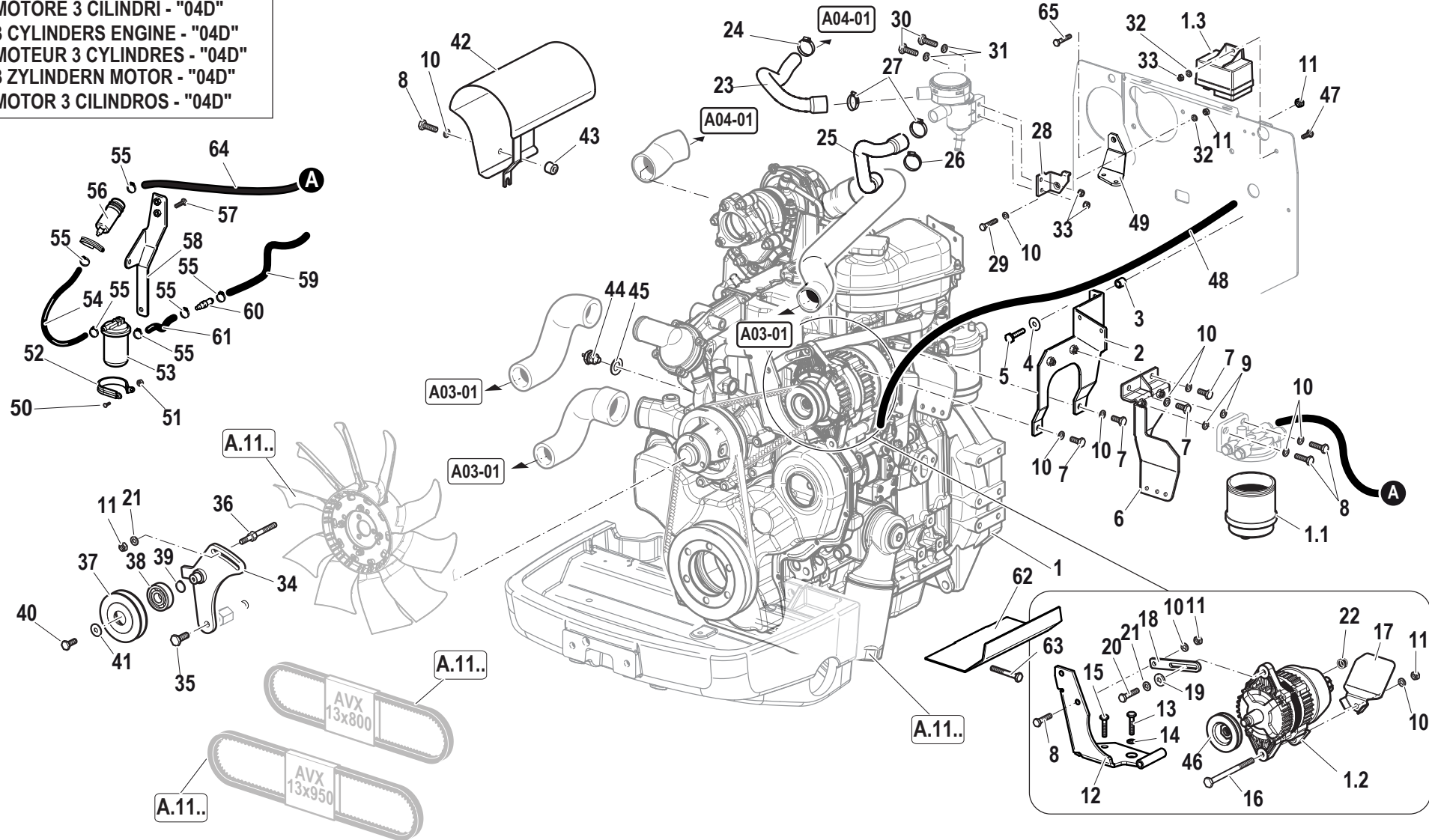
**ENGINE 75 CV**

CODE REV

**A.01.01.L70001\_2**

SERIAL START 916941

**VM MOTORI**  
MOTORE 3 CILINDRI - "04D"  
3 CYLINDERS ENGINE - "04D"  
MOTEUR 3 CYLINDRES - "04D"  
3 ZYLINDERN MOTOR - "04D"  
MOTOR 3 CILINDROS - "04D"

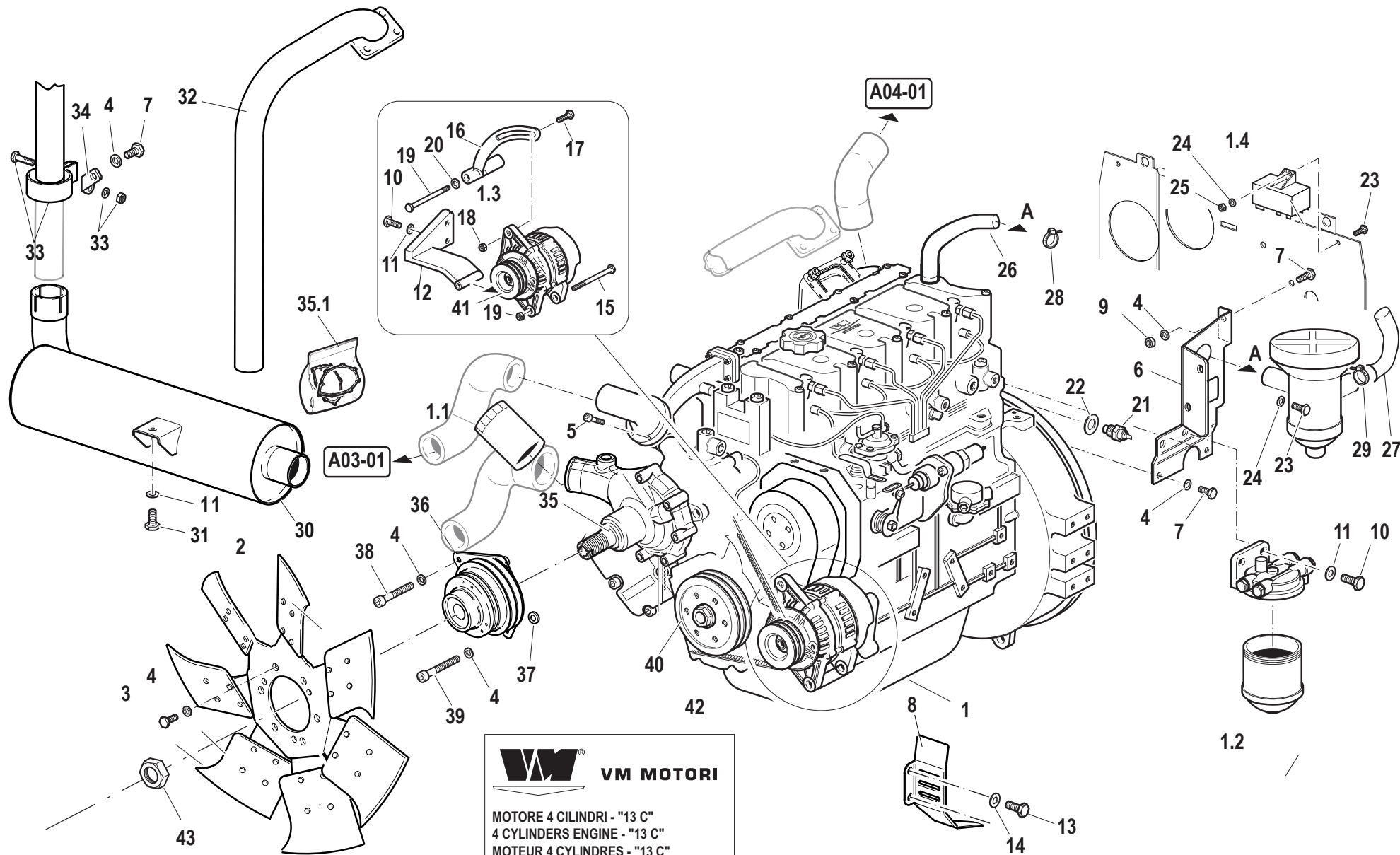


Pos.	Code	Q.ty	Description	Notes
15	F0863208050	1	SCREW M10X20 UNI 5933	

SERIAL  
START  
**916941**

**ENGINE 75 CV**

CODE REV  
**A.01.01.L70001\_2**



**VM MOTORI**

MOTORE 4 CILINDRI - "13 C"  
 4 CYLINDERS ENGINE - "13 C"  
 MOTEUR 4 CYLINDRES - "13 C"  
 4 ZYLINDERN MOTOR - "13 C"  
 MOTOR 4 CILINDROS - "13 C"

A.01.04.L60007\_0

Pos.	Code	Q.ty	Description	Notes
7	31111151	4	SCREW TE M8X16 UNI 5739 8G	
13	31112082	2	SCREW TE M6X12 UNI 5739 8G	
23	31112090	2	SCREW TE M6X16 UNI 5739 8G	
17	31112153	1	SCREW TE M8X35 UNI 5739 8G	
39	31112159	1	SCREW TE M8X65 UNI 5737 8G	
15	31112174	1	SCREW TE M8X110 UNI 5737 8.8	
31	31112210	1	SCREW TE M10X20 UNI 5739	
10	31112219	5	SCREW TE M10X25 UNI 5739	
38	31152088	2	SCREW TCEI M8X55 UNI 5931	
25	31211060	2	HEXAGONAL NUT M8	
9	31211080	2	NUT M8	
14	31411064	2	WASHER 6,4x12,5	
18	31421083	1	WASHER	
20	31421251	1	WASHER	
42	36220210	1	BELT	
1	41U50000	1	MOT.VM D754E2.21A 47KW 13C/4	
26	55176744	1	PIPE	
37	56172079	1	SPACER	
34	56177183	1	REINFORCED STRAP	
8	56177979	1	SHIELD	
41	56377846	1	PULLEY	
40	56377847	1	PULLEY	
35	58079130	1	PUMP	
1.1	58171199	1	OIL FILTER CARTRIDGE	
1.2	58171200	1	FUEL FILTER CARTRIDGE	
33	58175121	1	COLLAR	
21	58175773	1	ELECTRONICAL THERMOMETER	
30	58176618	1	EXHAUST SILENCER	
27	58177400	1	OIL PIPE	
36	58177811	1	CLUTCH	
2	58177891	1	FAN	
32	59076620	1	EXHAUST	
16	59076688	1	ROD	
12	59077318	1	SUPPORT	

SERIAL  
START  
**912460**

END  
**916940**

**MOTOR 75 CV (SCS)**

CODE REV

**A.01.04.L70001\_0**

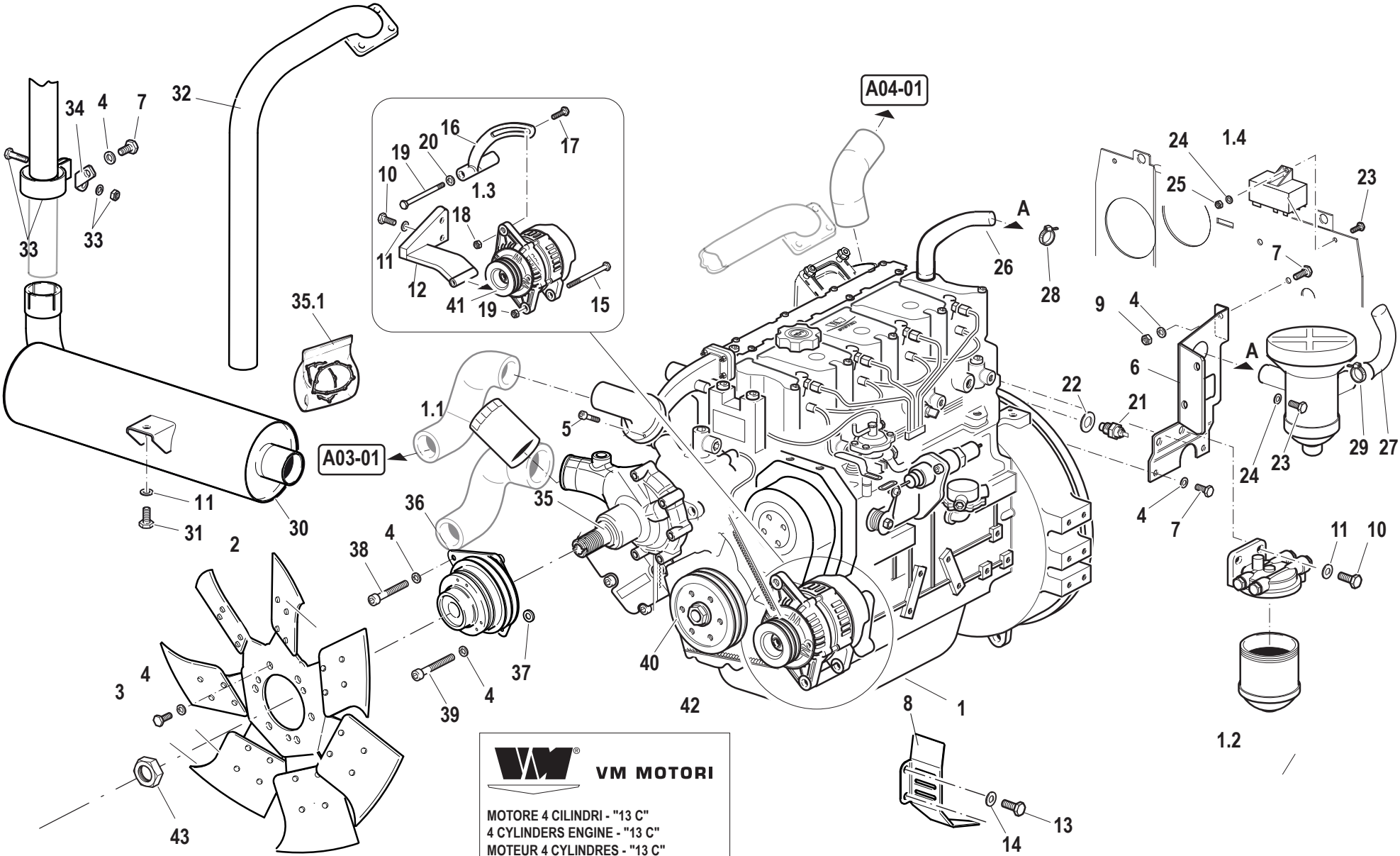


MOTOR 75 CV (SCS)

CODE REV

A.01.04.L70001\_0

SERIAL START 912460 END 916940



**VM MOTORI**  
MOTORE 4 CILINDRI - "13 C"  
4 CYLINDERS ENGINE - "13 C"  
MOTEUR 4 CYLINDRES - "13 C"  
4 ZYLINDERN MOTOR - "13 C"  
MOTOR 4 CILINDROS - "13 C"

A.01.04.L60007\_0

Pos.	Code	Q.ty	Description	Notes
6	59079167	1	RETAINER	
1.3	59900344	1	ALTERNATOR	
1.4	59900345	1	CENTRAL PROCESSING UNIT	
43	59901264	1	RING NUT	
35.1	59901265	1	GASKET SET	
29	F0817500200	1	CLAMP 015,7-706R	
28	F0817500400	3	CLAMP 024,1-706R	
24	F0843570000	2	WASHER 6	
4	F0843643060	5	WASHER 8	
11	F0843755000	6	WASHER 10	
22	F0844030070	1	COPPER WASHER 16,0x22/1,5	
5	F0862479035	1	SCREW	
3	F0862495010	3	SCREW	
19	F0864335020	1	SCREW M14X120 UNI 5737	

SERIAL  
START  
**912460**

END  
**916940**

**MOTOR 75 CV (SCS)**

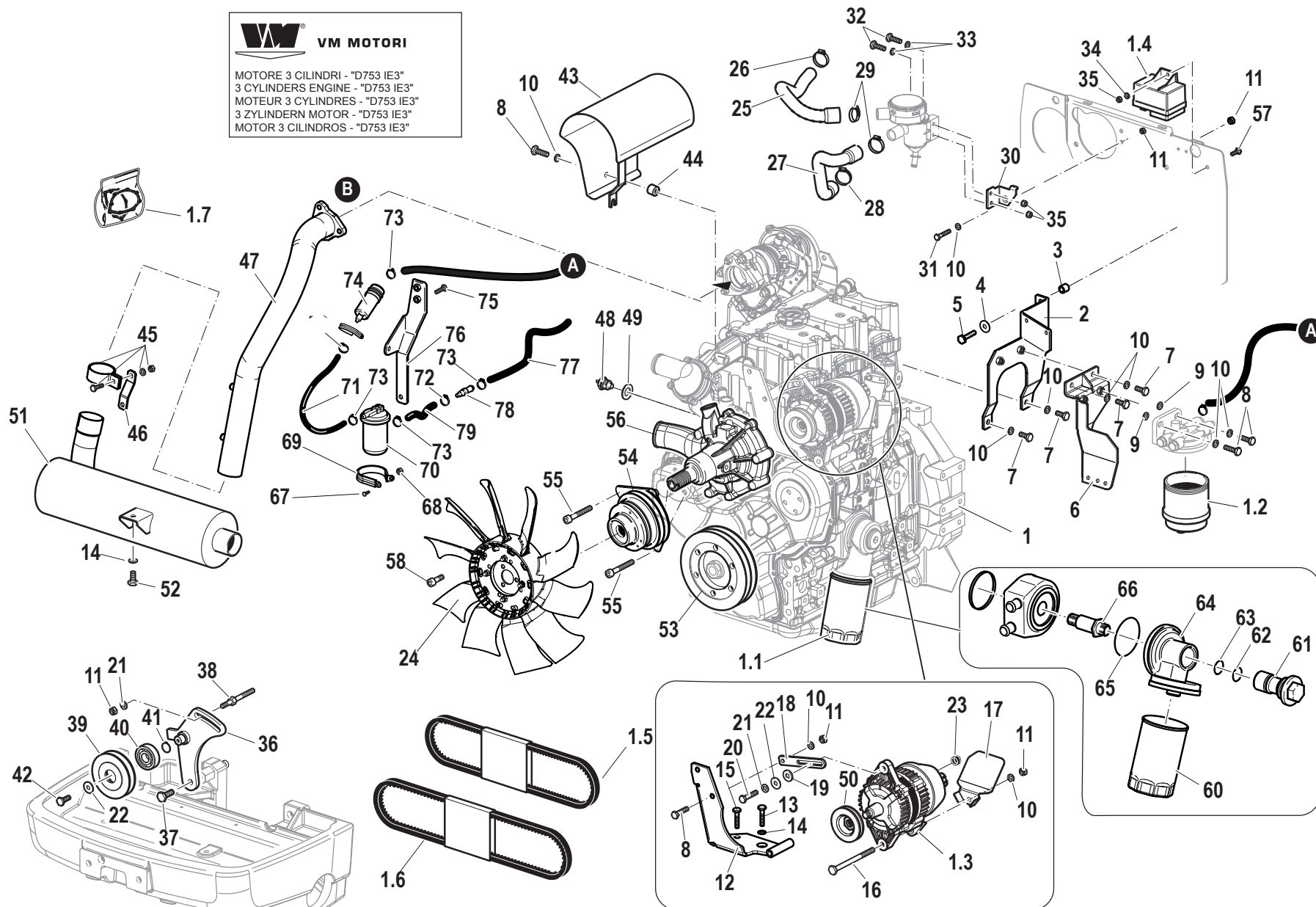
CODE REV  
**A.01.04.L70001\_0**



SERIAL START 916941

**VM MOTORI**

MOTORE 3 CILINDRI - "D753 IE3"  
 3 CYLINDERS ENGINE - "D753 IE3"  
 MOTEUR 3 CYLINDRES - "D753 IE3"  
 3 ZYLINDER MOTOR - "D753 IE3"  
 MOTOR 3 CILINDROS - "D753 IE3"



A.01.04.L60007\_1

Pos.	Code	Q.ty	Description	Notes
69	30021080	1	CLAMP	
75	31111091	3	SCREW E M6X14 UNI 5739 8G	
7	31111151	4	SCREW TE M8X16 UNI 5739 8G	
67	31112051	1	SCREW TE M5X14 UNI 5739 8G	
32	31112089	2	SCREW TE M6X25 UNI 5739 8G	
57	31112090	1	SCREW TE M6X16 UNI 5739 8G	
42	31112149	1	SCREW TE M8X12 UNI 5739 8G	
8	31112151	4	SCREW TE M8X25 UNI 5739 8G	
20	31112152	1	SCREW TE M8X30 UNI 5739 8G	
5	31112154	1	SCREW TE M8X40 UNI 5739 8G	
16	31112174	1	SCREW TE M8X110 UNI 5737 8.8	
52	31112208	1	SCREW TE M10X16 UNI 5739	
37	31112210	1	SCREW TE M10X20 UNI 5739	
13	31112219	1	SCREW TE M10X25 UNI 5739	
31	31132566	1	SCREW TSVEI M8X20 UNI 5933	
55	31152088	2	SCREW TCEI M8X55 UNI 5931	
68	31211050	1	NUT M5	
35	31211060	3	HEXAGONAL NUT M8	
11	31211080	5	NUT M8	
33	31411064	2	WASHER 6,4x12,5	
9	31411084	4	WASHER 8,4x17	
22	31411090	2	WASHER 9x24	
21	31421083	2	WASHER	
41	35111047	1	SEEGER RING	
40	37112172	1	BEARING	
1	41X80001	1	MOT.VM D753IE3.21A 68cv INT. *	
44	56171996	1	SPACER	
78	56172950	1	PIPE FITTING	
46	56177183	1	REINFORCED STRAP	
17	561A0579	1	SHIELD	
3	561A0589	1	SPACER	
30	561A0786	1	FIXING BRACKET	
18	561A0940	1	BRACKET	
50	56377846	1	PULLEY	

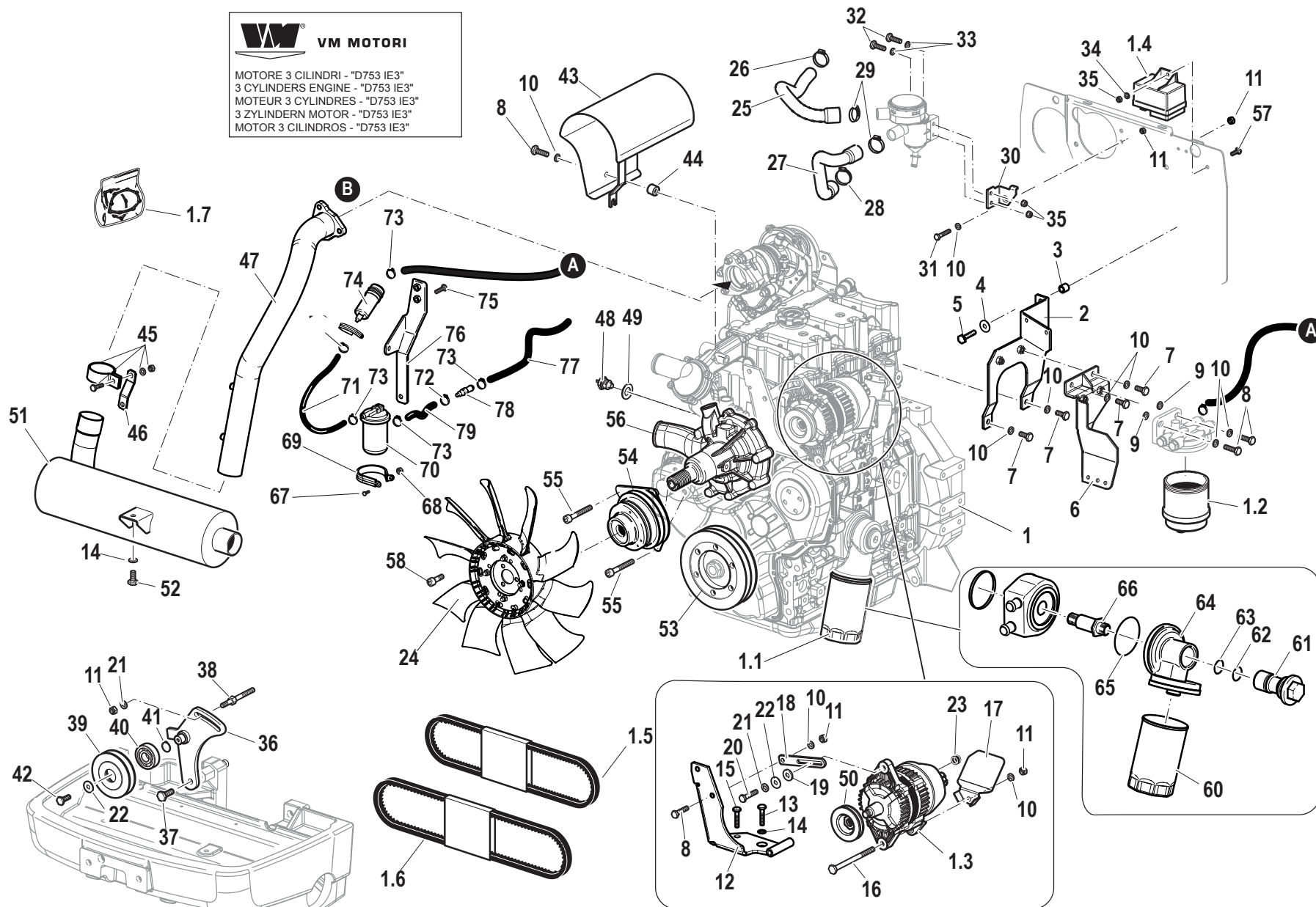
SERIAL  
START  
**916941**

**MOTOR 75 CV (SCS)**

CODE REV

**A.01.04.L70001\_1**

**VM MOTORI**  
 MOTORE 3 CILINDRI - "D753 IE3"  
 3 CYLINDERS ENGINE - "D753 IE3"  
 MOTEUR 3 CYLINDRES - "D753 IE3"  
 3 ZYLINDER MOTOR - "D753 IE3"  
 MOTOR 3 CILINDROS - "D753 IE3"



Pos.	Code	Q.ty	Description	Notes
53	56377847	1	PULLEY	
39	563A0258	1	PULLEY	
38	563A0265	1	SCREW	
56	58079130	1	PUMP	
25	580A0608	1	TUBO DECANT/FILTRO ARIA 75CV	
77	580A0677	1	TUBO CARBOPRESS(8x15)L=420	
79	580A0678	1	TUBO CARBOPRESS(6x12)L=40	
71	580A0679	1	TUBO CARBOPRESS(8x15)L=150	
27	580A0787	1	TUBO COP-CIL.DECANTATORE 75	
23	58170866	1	NUT COVER	
1.1	58171199	1	OIL FILTER CARTRIDGE	
60	58171199	1	OIL FILTER CARTRIDGE	
1.2	58171200	1	FUEL FILTER CARTRIDGE	
45	58175121	1	COLLAR	
48	58175773	1	ELECTRONICAL THERMOMETER	
54	58177811	1	CLUTCH	
51	58179623	1	EXHAUST SILENCER	
24	58179705	1	FAN	
1.5	581A0272	1	ENGINE BELT	
1.6	581A0274	1	ENGINE BELT	
66	581A0733	1	PIPE FITTING	
65	581A0734	1	GASKET	
64	581A0735	1	BODY	
63	581A0736	1	GASKET	
62	581A0737	1	GASKET	
61	581A0738	1	PIPE FITTING	
12	590A0082	1	RETAINER	
36	590A0262	1	BRACKET	
47	590A0354	1	TUBO SCARICO 75(A0354V)NERO	
43	590A0359	1	GUARD	
2	590A0387	1	FILTER SUPPORT	
6	590A0388	1	FILTER SUPPORT	
76	590A0676	1	BRACKET	
1.3	59900344	1	ALTERNATOR	

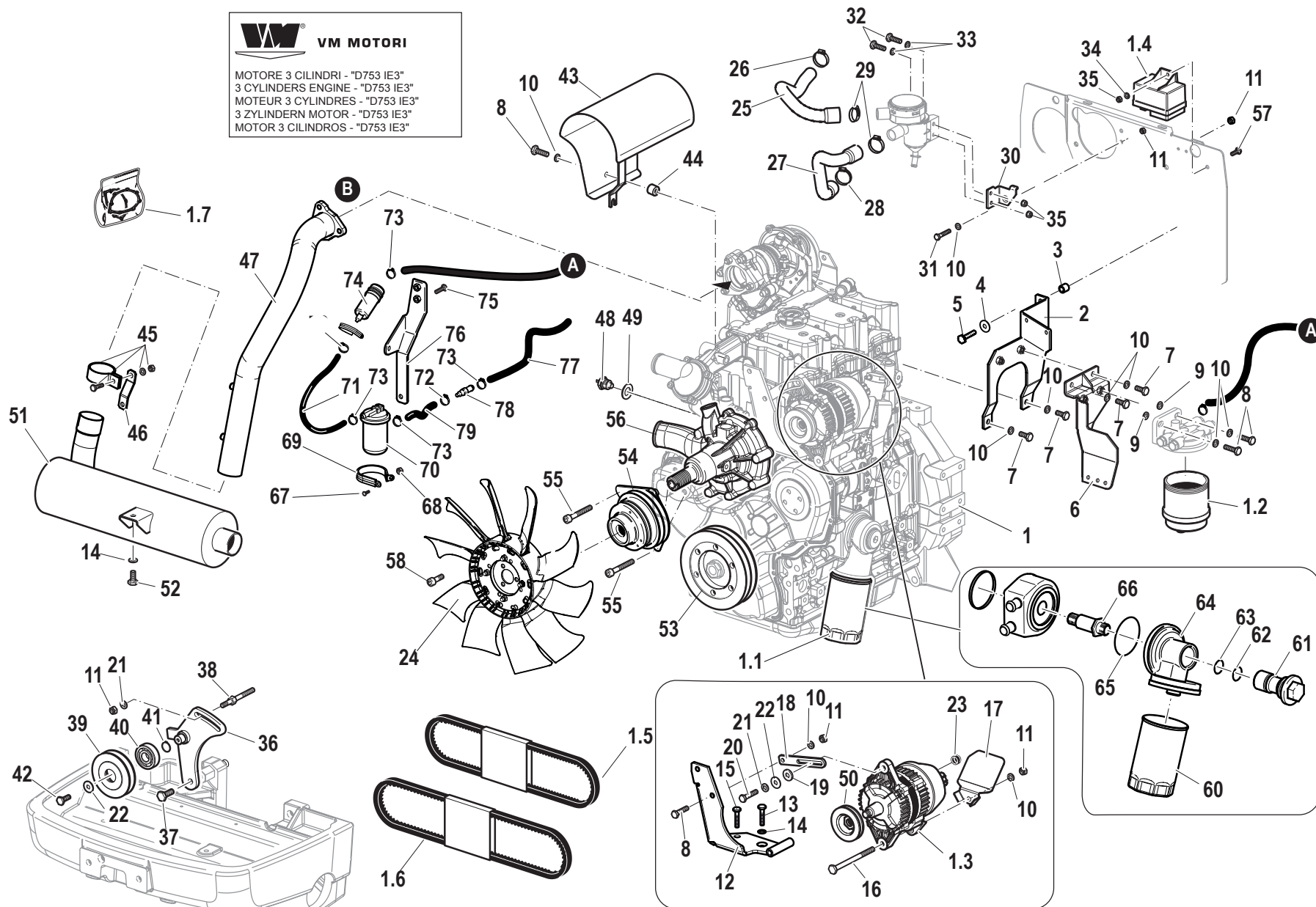
SERIAL  
START  
**916941**

**MOTOR 75 CV (SCS)**

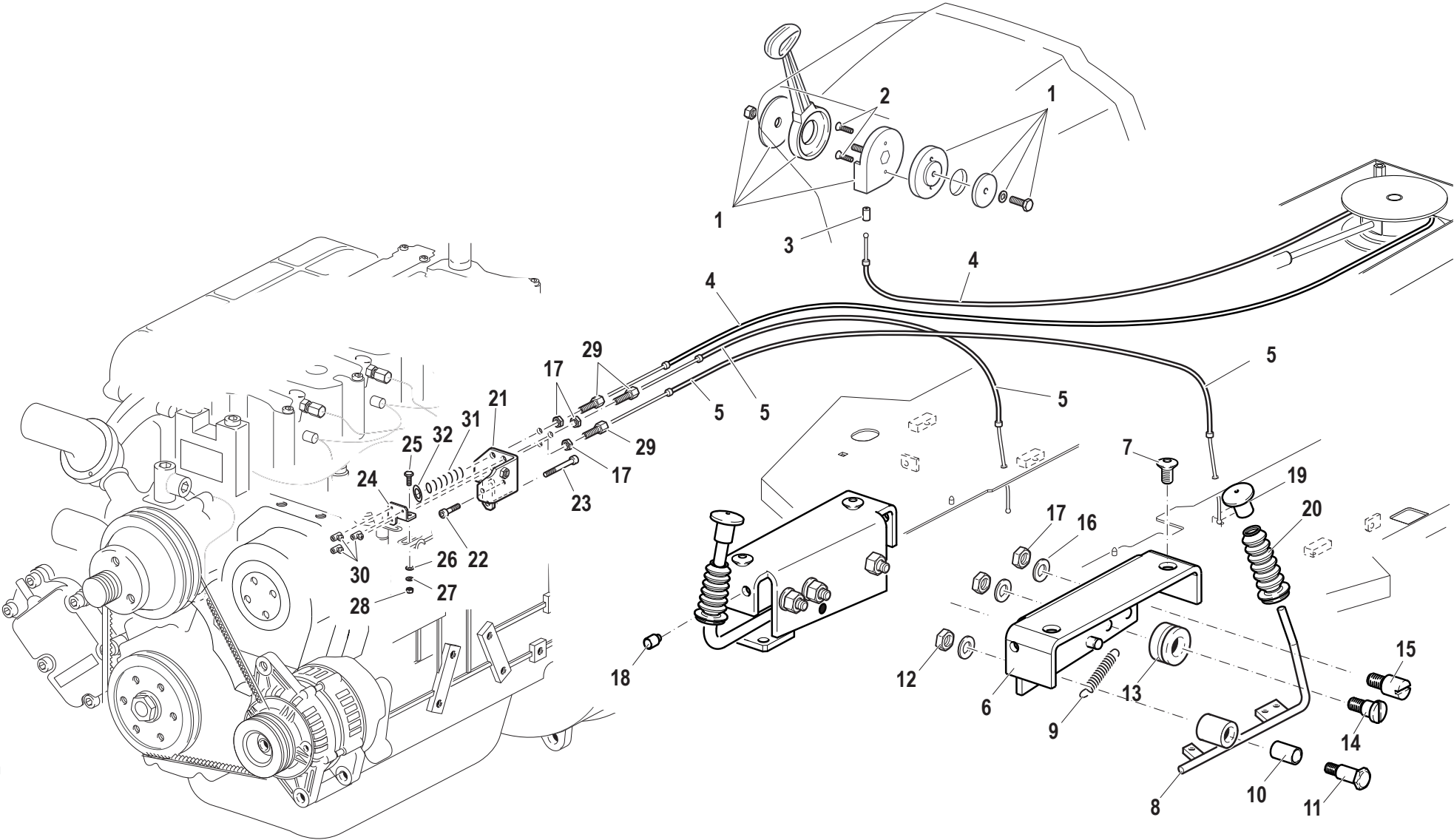
CODE REV

**A.01.04.L70001\_1**

**VM MOTORI**  
 MOTORE 3 CILINDRI - "D753 IE3"  
 3 CYLINDERS ENGINE - "D753 IE3"  
 MOTEUR 3 CYLINDRES - "D753 IE3"  
 3 ZYLINDER MOTOR - "D753 IE3"  
 MOTOR 3 CILINDROS - "D753 IE3"



Pos.	Code	Q.ty	Description	Notes
1.4	59900345	1	CENTRAL PROCESSING UNIT	
1.7	59901265	1	GASKET SET	
74	59901470	1	POMPA CARBURANTE 45182003F	
70	59901471	1	PREFILTRO GASOLIO 35312035F mr	
73	F0817500200	1	CLAMP 015,7-706R	
26	F0817500400	1	CLAMP 024,1-706R	
29	F0817500410	2	CLAMP 025,6-706R	
28	F0817500430	1	CLAMP 030,1-706R	
34	F0843570000	2	WASHER 6	
10	F0843643060	11	WASHER 8	
4	F0843696000	1	WASHER	
19	F0843711000	1	WASHER D.24x8,5/4	
14	F0843755000	3	WASHER 10	
49	F0844030070	1	COPPER WASHER 16,0x22/1,5	
58	F0862495010	3	SCREW	
15	F0863208050	1	SCREW M10X20 UNI 5933	



A.02.01.L60007\_0

Pos.	Code	Q.ty	Description	Notes
10	30030016	2	BUSHING 14x25	
25	31112051	1	SCREW TE M5X14 UNI 5739 8G	
2	31132562	2	SCREW TSVEI M6X16 UNI 5933	
22	31152060	1	SCREW TCEI M6X30 UNI 5931	
23	31152068	1	SCREW TCEI M6X55 UNI 5931	
28	31211050	1	NUT M5	
17	31231080	7	NUT M8	
12	31241101	2	SELFLOCK NUT M10	
26	31411053	1	WASHER 5,3x10	
20	55277307	2	BELLOWS	
21	56174661	1	BRACKET	
32	56177641	1	STOP	
15	56177648	2	GUIDE PIN	
24	56177655	1	BRACKET	
29	56177656	3	REGISTER	
14	56375436	2	HINGE PIN	
11	56377112	2	SCREW	
13	57377106	2	PULLEY	
19	57377110	2	FOOT REST	
30	58048002	4	CLAMPING SCREW	
9	58073227	2	SPRING	
5	58077361	2	CABLE	
4	58079035	1	CABLE	
18	58177111	2	SLEEVE	
8	59077101	2	ACCEL. PEDAL	
6	59077107	2	BRACKET	
31	F0831065000	1	SPRING	
27	F0843561000	1	WASHER 5	
16	F0843643060	4	WASHER 8	
3	F0858520000	1	SLEEVE	
7	F0862481000	4	SCREW M8x16 UNI 5933	
1	P238106000000	1	ACCELERATOR	

SERIAL  
END

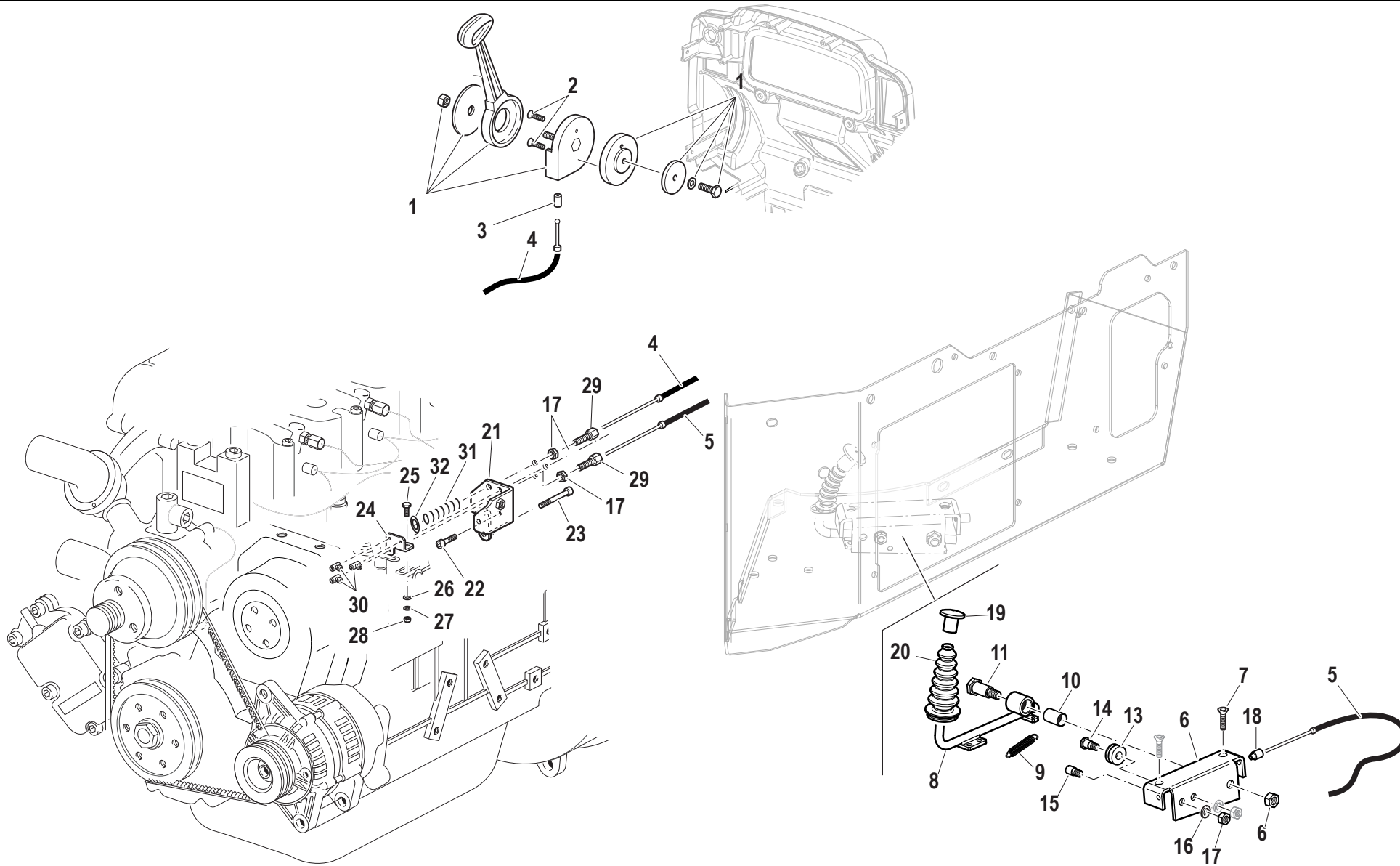
916940

ENGINE CONTROLS

CODE REV

A.02.01.L70001\_0





Pos.	Code	Q.ty	Description	Notes
10	30030016	2	BUSHING 14x25	
25	31112051	1	SCREW TE M5X14 UNI 5739 8G	
2	31132562	2	SCREW TSVEI M6X16 UNI 5933	
22	31152060	1	SCREW TCEI M6X30 UNI 5931	
23	31152068	1	SCREW TCEI M6X55 UNI 5931	
28	31211050	1	NUT M5	
17	31231080	7	NUT M8	
12	31241101	2	SELFLOCK NUT M10	
26	31411053	1	WASHER 5,3x10	
20	55277307	2	BELLOWS	
21	56174661	1	BRACKET	
32	56177641	1	STOP	
15	56177648	2	GUIDE PIN	
24	56177655	1	BRACKET	
29	56177656	3	REGISTER	
14	56375436	2	HINGE PIN	
11	56377112	2	SCREW	
13	57377106	2	PULLEY	
19	57377110	2	FOOT REST	
30	58048002	4	CLAMPING SCREW	
9	58073227	2	SPRING	
5	58077361	2	CABLE	
4	58079035	1	CABLE	
18	58177111	2	SLEEVE	
8	59077101	2	ACCEL. PEDAL	
6	59077107	2	BRACKET	
31	F0831065000	1	SPRING	
27	F0843561000	1	WASHER 5	
16	F0843643060	4	WASHER 8	
3	F0858520000	1	SLEEVE	
7	F0862481000	4	SCREW M8x16 UNI 5933	
1	P238106000000	1	ACCELERATOR	

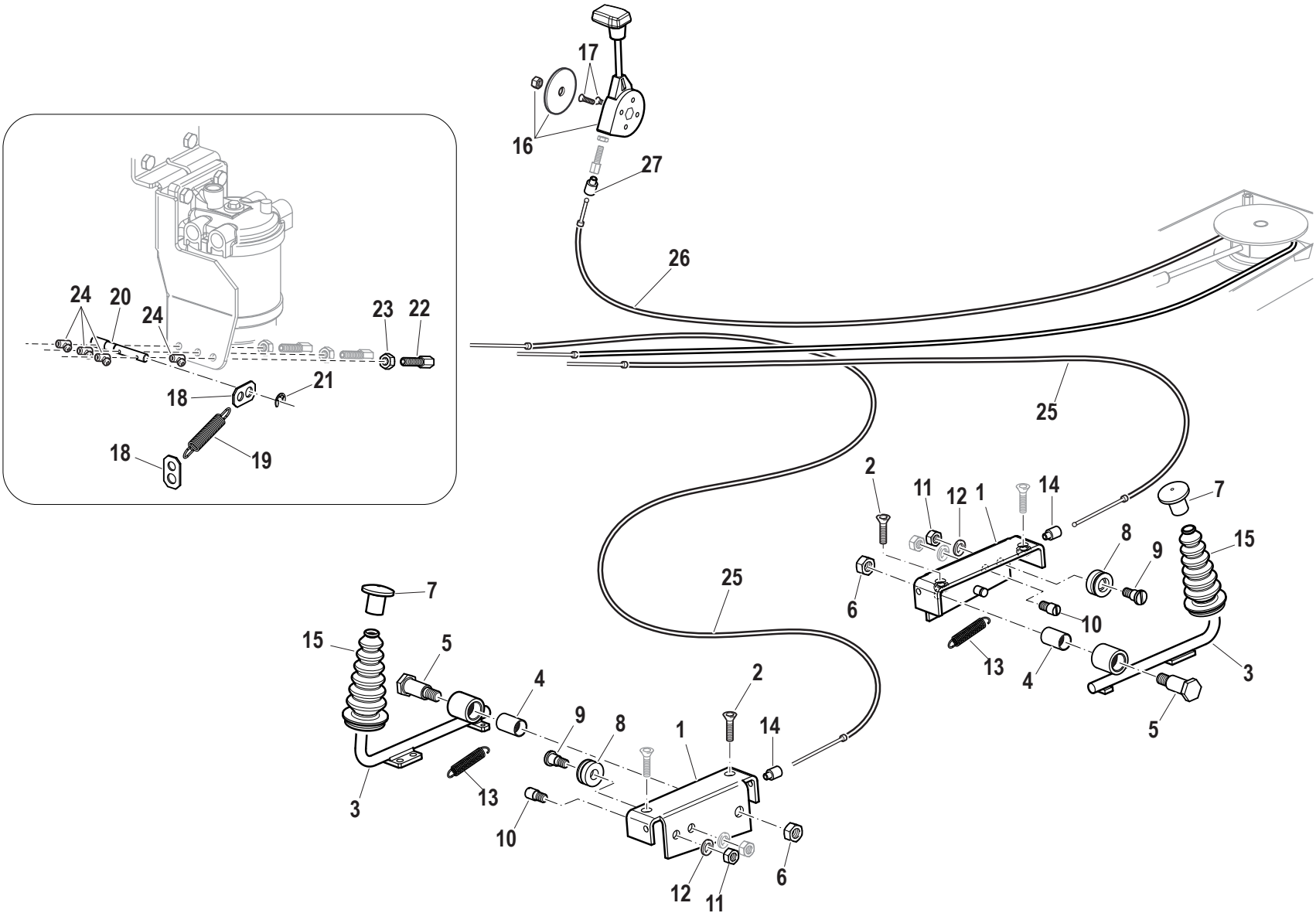
SERIAL  
END

916940

ENGINE CONTROLS

CODE REV

A.02.01.L70001\_0



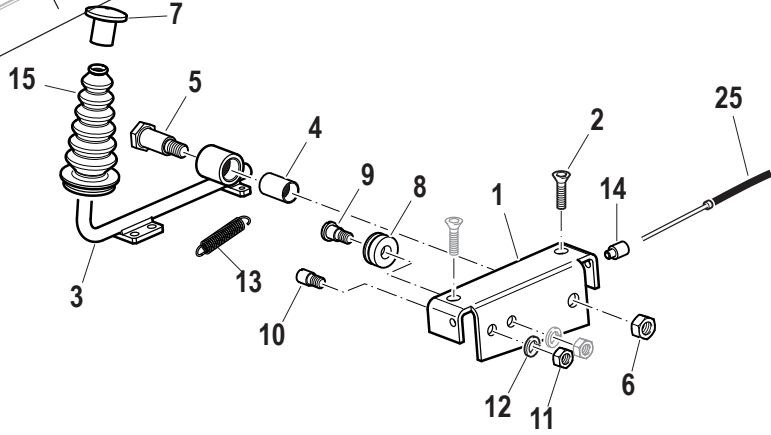
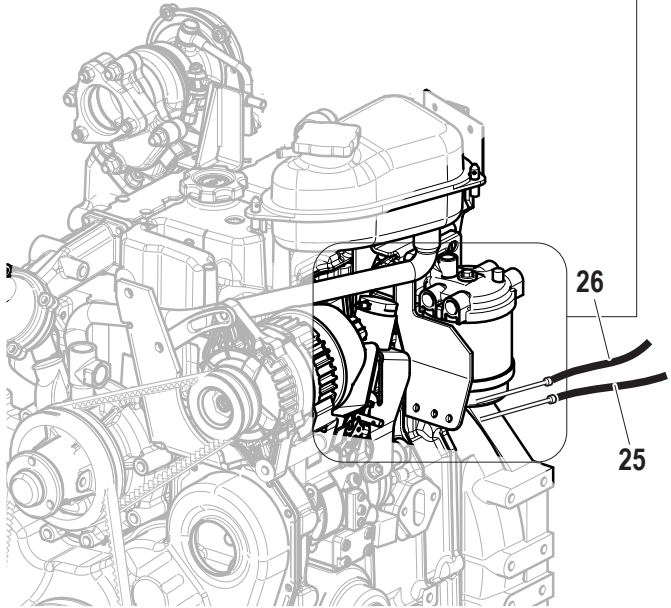
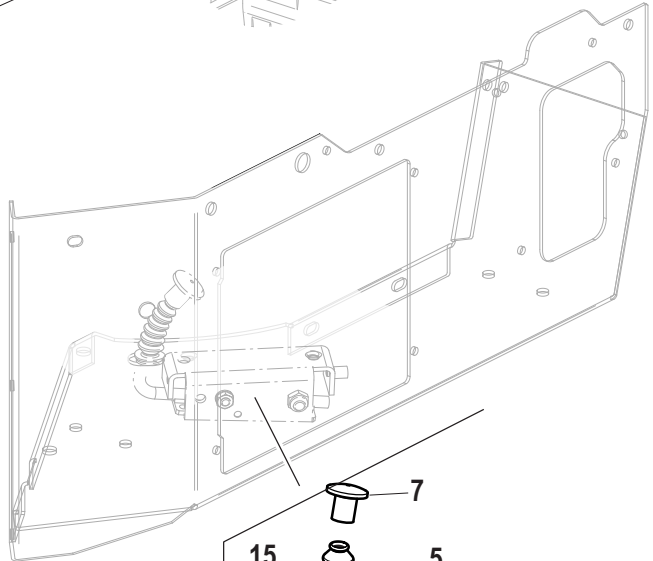
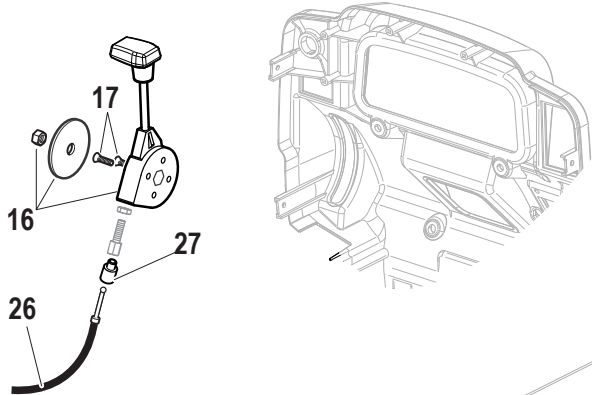
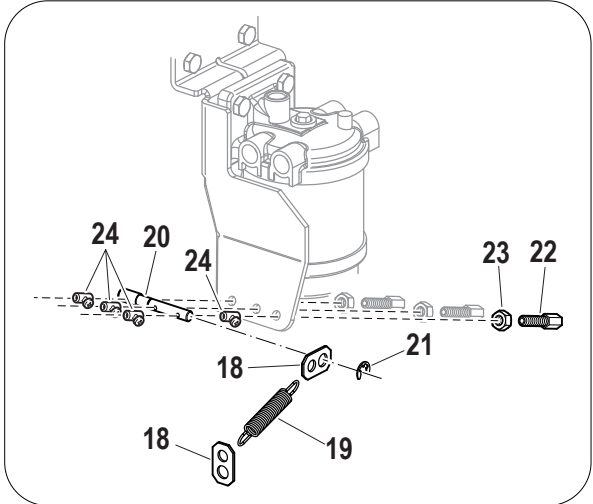
Pos.	Code	Q.ty	Description	Notes
4	30030016	2	BUSHING 14x25	
17	31132562	2	SCREW TSVEI M6X16 UNI 5933	
2	31132565	4	SCREW TSVEI M8x16 UNI 5933	
11	31231080	4	NUT M8	
23	31231080	3	NUT M8	
6	31241101	2	SELFLOCK NUT M10	
15	55277307	2	BELLOWS	
18	560A0494	2	PLATE	
10	56177648	2	GUIDE PIN	
22	56177656	3	REGISTER	
20	561A0493	1	PIN	
9	56375436	2	HINGE PIN	
5	56377112	2	SCREW	
8	57377106	2	PULLEY	
7	57377110	2	FOOT REST	
24	58048002	4	CLAMPING SCREW	
13	58073227	2	SPRING	
19	580A0495	1	RESTORING SPRING	
25	580A0824	2	CABLE	
26	580A0825	1	CABLE	
14	58177111	2	SLEEVE	
3	59077101	2	ACCEL. PEDAL	
1	59077107	2	BRACKET	
21	F0801009000	1	RING RA 5-041 DIN 6799	
12	F0843643060	4	WASHER 8	
27	F0858520000	1	SLEEVE	
16	P238106000000	1	ACCELERATOR	

SERIAL  
START  
**916941**

**ENGINE CONTROLS**

CODE REV

**A.02.01.L70001\_1**



Pos.	Code	Q.ty	Description	Notes
4	30030016	2	BUSHING 14x25	
17	31132562	2	SCREW TSVEI M6X16 UNI 5933	
2	31132565	4	SCREW TSVEI M8x16 UNI 5933	
11	31231080	4	NUT M8	
23	31231080	3	NUT M8	
6	31241101	2	SELFLOCK NUT M10	
15	55277307	2	BELLOWS	
18	560A0494	2	PLATE	
10	56177648	2	GUIDE PIN	
22	56177656	3	REGISTER	
20	561A0493	1	PIN	
9	56375436	2	HINGE PIN	
5	56377112	2	SCREW	
8	57377106	2	PULLEY	
7	57377110	2	FOOT REST	
24	58048002	4	CLAMPING SCREW	
13	58073227	2	SPRING	
19	580A0495	1	RESTORING SPRING	
25	580A0824	2	CABLE	
26	580A0825	1	CABLE	
14	58177111	2	SLEEVE	
3	59077101	2	ACCEL. PEDAL	
1	59077107	2	BRACKET	
21	F0801009000	1	RING RA 5-041 DIN 6799	
12	F0843643060	4	WASHER 8	
27	F0858520000	1	SLEEVE	
16	P238106000000	1	ACCELERATOR	

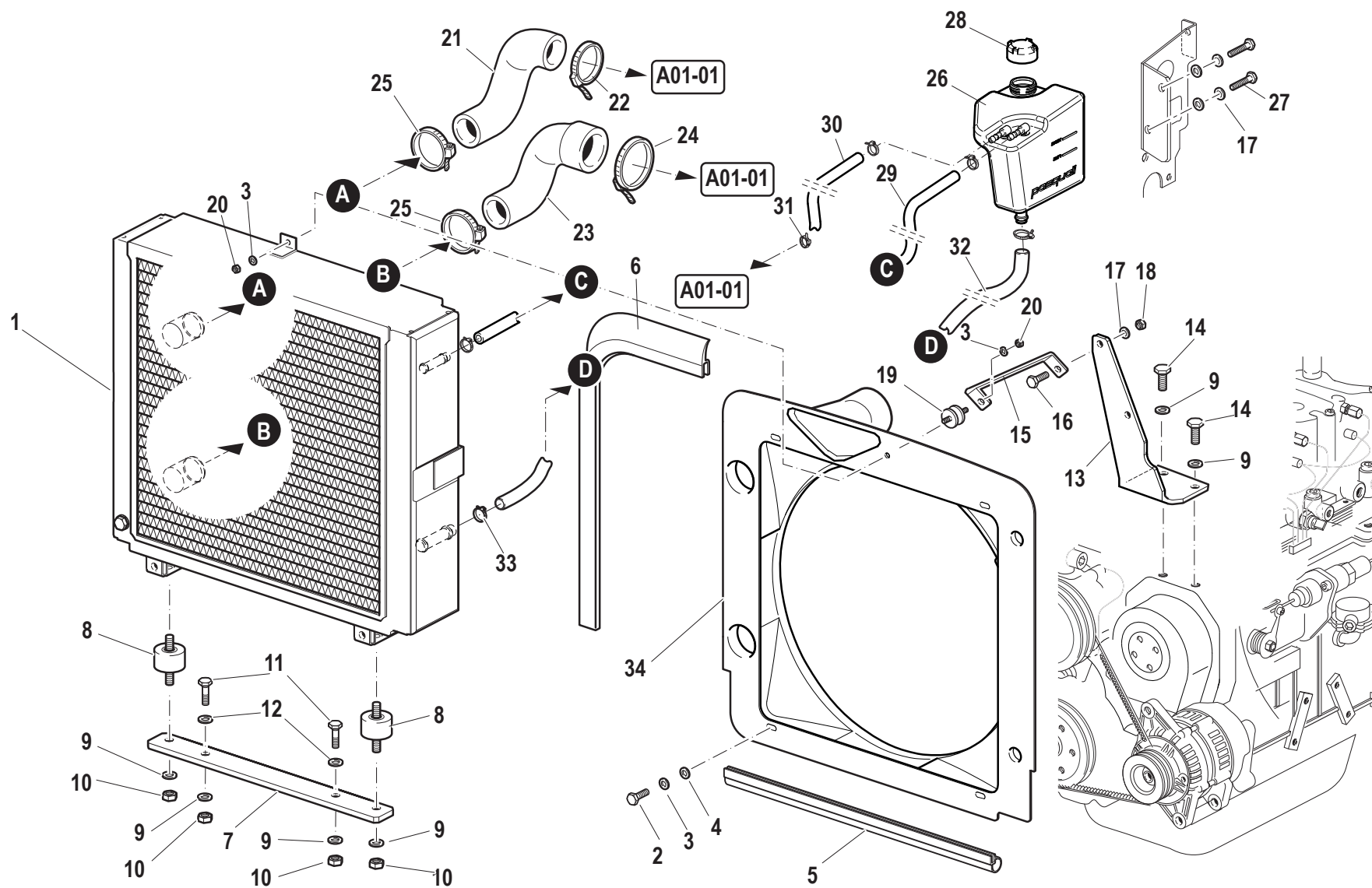
SERIAL  
START  
**916941**

**ENGINE CONTROLS**

CODE REV

**A.02.01.L70001\_1**

COOLER



Pos.	Code	Q.ty	Description	Notes
5	28174882		GASKET	
2	31111091	4	SCREW E M6X14 UNI 5739 8G	
27	31111151	2	SCREW TE M8X16 UNI 5739 8G	
16	31112151	1	SCREW TE M8X25 UNI 5739 8G	
11	31112212	2	SCREW TE M10X35 UNI 5739	
14	31152103	1	SCREW TCEI M10X25 UNI 5931	
18	31211080	1	NUT M8	
4	31411066	4	WASHER 6,6x18	
21	55174632	1	SLEEVE	
23	55177639	1	SLEEVE	
15	56176691	1	FIXING BRACKET	
7	56178805	1	BRACKET	
30	58075873	1	VENT HOSE	
32	58077132	1	PIPE	
29	58078677	1	VENT HOSE	
8	58174608	2	SILENT-BLOCK	
1	58178586	1	RADIATOR	064/06
34	58178638	1	DUCT	064/06
13	59076684	1	FIXING BRACKET	
6	F0256809050		GASKET	
20	F0814545000	2	NUT M6	
10	F0814632000	4	NUT M10	
31	F0817500200	4	CLAMP 015,7-706R	
33	F0817500400	2	CLAMP 024,1-706R	
25	F0817500470	2	CLAMP	
22	F0817500500	1	CLAMP 048,5-706R	
24	F0817500700	1	CLAMP 057,5-706R	
3	F0843570000	6	WASHER 6	
17	F0843643060	3	WASHER 8	
9	F0843755000	5	WASHER 10	
12	F0843818040	2	WASHER D.30x10,5/5	
19	F0849206005	1	SILENT-BLOCK	
28	P236220000000	1	PLUG	
26	P236340000000	1	CUP	134/09 *NR

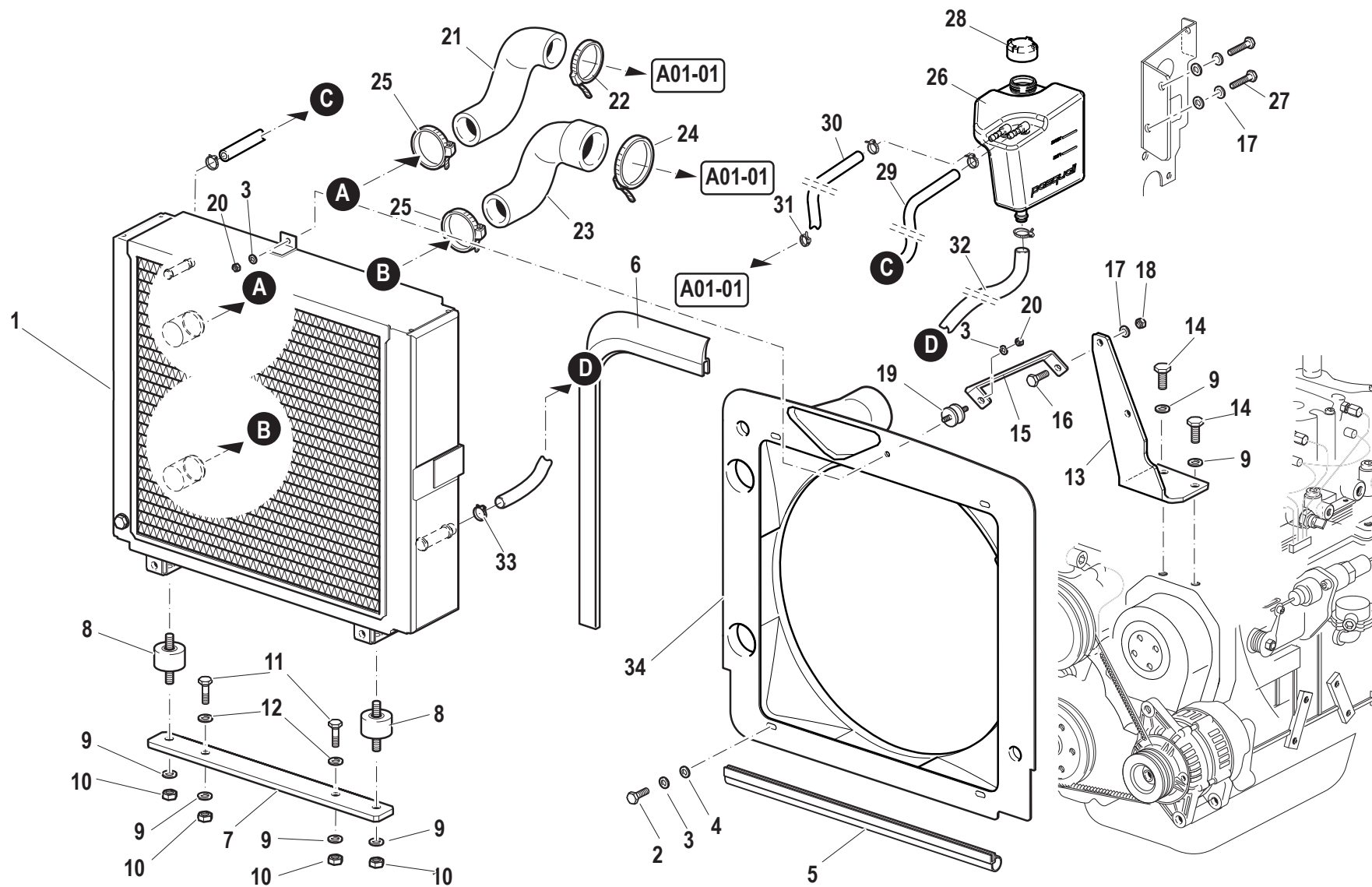
SERIAL

**COOLER**

CODE REV

**A.03.01.L70001\_0**





A.03.01.L60007\_1

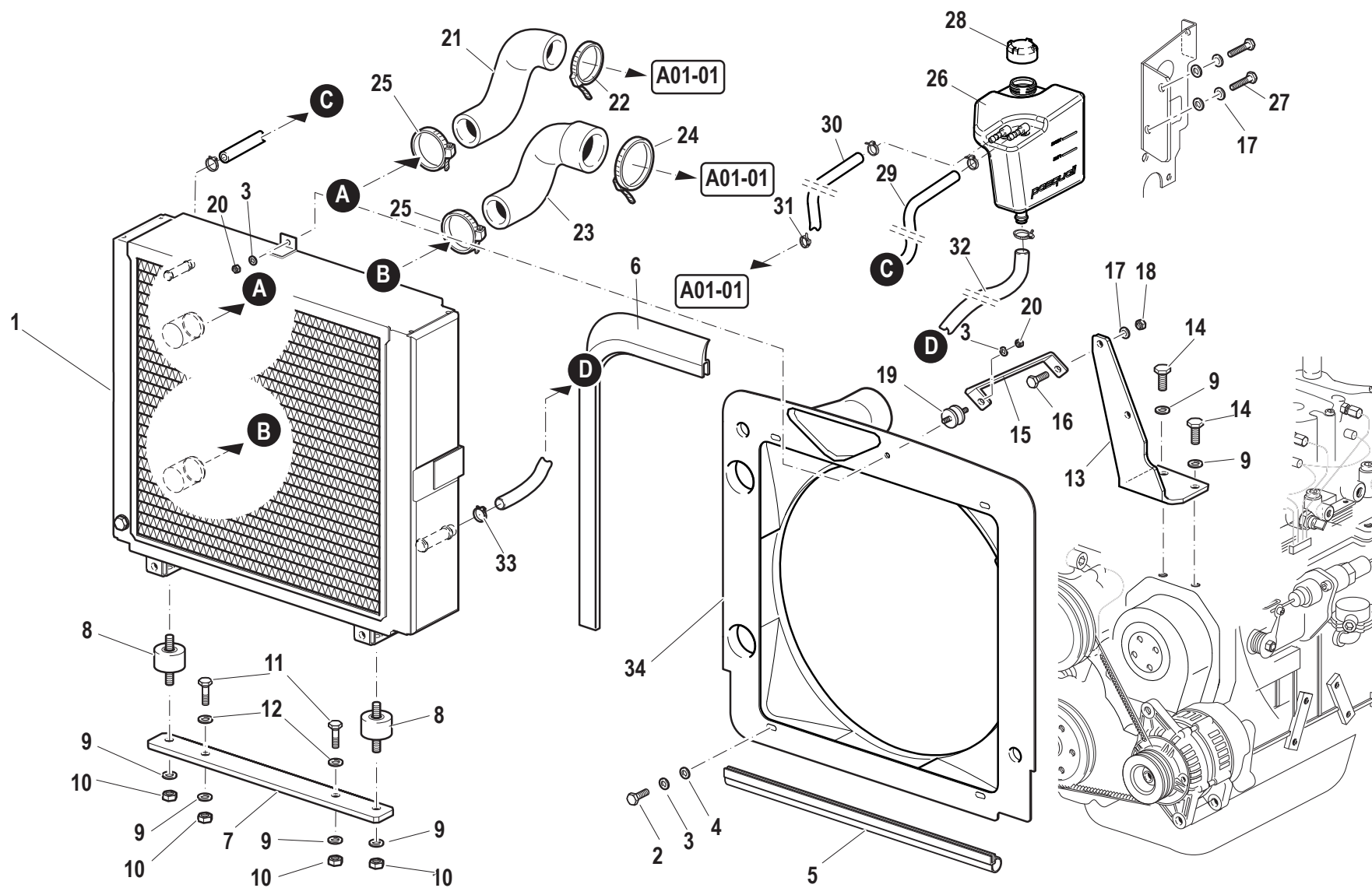
Pos.	Code	Q.ty	Description	Notes
4	31112093	4	SCREW TE M6X20	
13	31112151	1	SCREW TE M8X25 UNI 5739 8G	
10	31112229	2	SCREW M10x22 UNI 5739	
37	31121006	2	SCREW TBCEI M6X16 ISO 7380	
5	31211060	2	HEXAGONAL NUT M8	
14	31211080	1	NUT M8	
7	31411066	6	WASHER 6,6x18	
20	55179621	1	SLEEVE	
18	55179622	1	SLEEVE	
39	561A0357	1	TUBO COLL.TURB.(A4618N)NERO*mr	
12	561A0663	1	FIXING BRACKET	
2	57375461	1	CELLULAR FOAM	
26	58075873	2	VENT HOSE	
23	58079703	1	SLEEVE	
28	58093053	1	CUP	
24	580A0358	1	SLEEVE	
31	580A0419	1	RUBBER HOSE	
40	580A0496	1	SLEEVE	
34	580A0830	1	TUBO SAE 100 R6(8x14)L=210	
33	58170339	1	PIPE FITTING	
36	58179599	1	DUCT	
9	58179783	2	SILENT-BLOCK	
38	581A0296	1	SEAL	
1	581A0906	1	RADIATOR	
25	590A0389	1	SUPPORT	
27	F0256112009	1	PIPE	
8	F0256809050	1	GASKET	
3	F0256910010	1	CELL FOAM PROFILE 10X15	
30	F0810510000	3	SPLIT PIN A2,0X20 UNI 1336	
17	F0814545000	2	NUT M6	
35	F0817505200	6	FAS.10-19 SE519W4(30021119)*mr	
21	F0817550100	1	CLAMP	
29	F0824022000	3	SPECIAL GASKET D.8,4X12/1	
6	F0843570000	10	WASHER 6	

SERIAL

**COOLER**

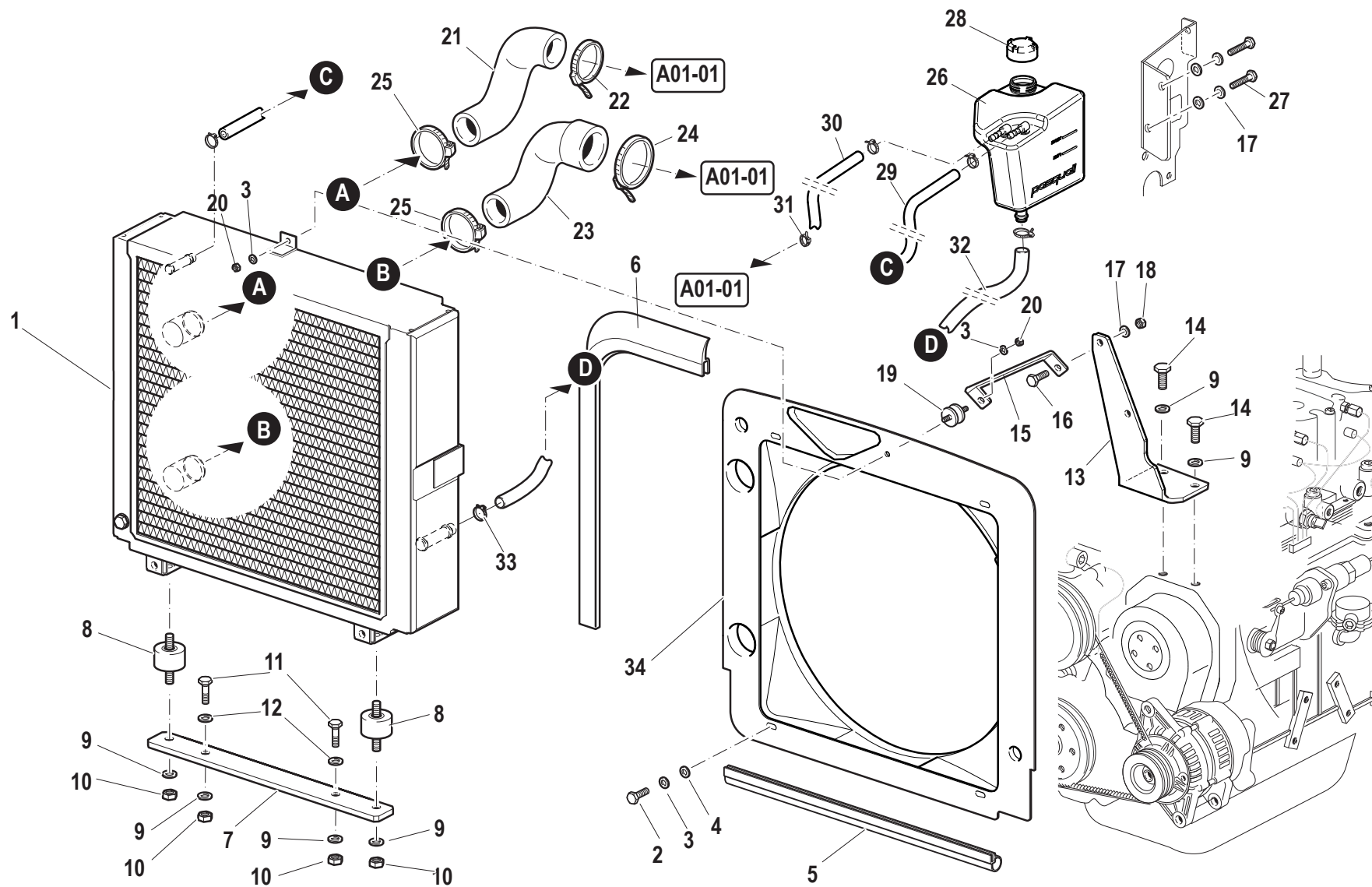
CODE REV

**A.03.01.L70001\_1**



<b>Pos.</b>	<b>Code</b>	<b>Q.ty</b>	<b>Description</b>	<b>Notes</b>
15	F0843643060	1	WASHER 8	
11	F0843755000	3	WASHER 10	
16	F0849206005	1	SILENT-BLOCK	
32	P123298000000	2	CLAMP 16-25 SX9CW1	
19	P405391000001	3	CLAMP	
22	P453727000000	2	CLAMP	

# COOLER EXTERNAL AIR INTAKE



Pos.	Code	Q.ty	Description	Notes
5	28174882	1	GASKET	
27	31111151	2	SCREW TE M8X16 UNI 5739 8G	
2	31112082	4	SCREW TE M6X12 UNI 5739 8G	
16	31112151	1	SCREW TE M8X25 UNI 5739 8G	
11	31112212	2	SCREW TE M10X35 UNI 5739	
14	31152103	1	SCREW TCEI M10X25 UNI 5931	
18	31211080	1	NUT M8	
4	31411064	4	WASHER 6,4x12,5	
21	55174632	1	SLEEVE	
23	55177639	1	SLEEVE	
15	56176691	1	FIXING BRACKET	
7	56178805	1	BRACKET	
12	56178806	2	SPACER	
30	58075873	1	VENT HOSE	
32	58077132	1	PIPE	
29	58078677	1	VENT HOSE	
8	58174608	2	SILENT-BLOCK	
1	58178586	1	RADIATOR	064/06
34	58178639	1	DUCT	064/06
13	59076684	1	FIXING BRACKET	
6	F0256809050	1	GASKET	
20	F0814545000	2	NUT M6	
10	F0814632000	4	NUT M10	
31	F0817500200	4	CLAMP 015,7-706R	
33	F0817500400	2	CLAMP 024,1-706R	
25	F0817500470	2	CLAMP	
22	F0817500500	1	CLAMP 048,5-706R	
24	F0817500700	1	CLAMP 057,5-706R	
3	F0843570000	6	WASHER 6	
17	F0843643060	3	WASHER 8	
9	F0843755000	5	WASHER 10	
19	F0849206005	1	SILENT-BLOCK	
28	P236220000000	1	PLUG	
26	P236340000000	1	CUP	134/09

SERIAL

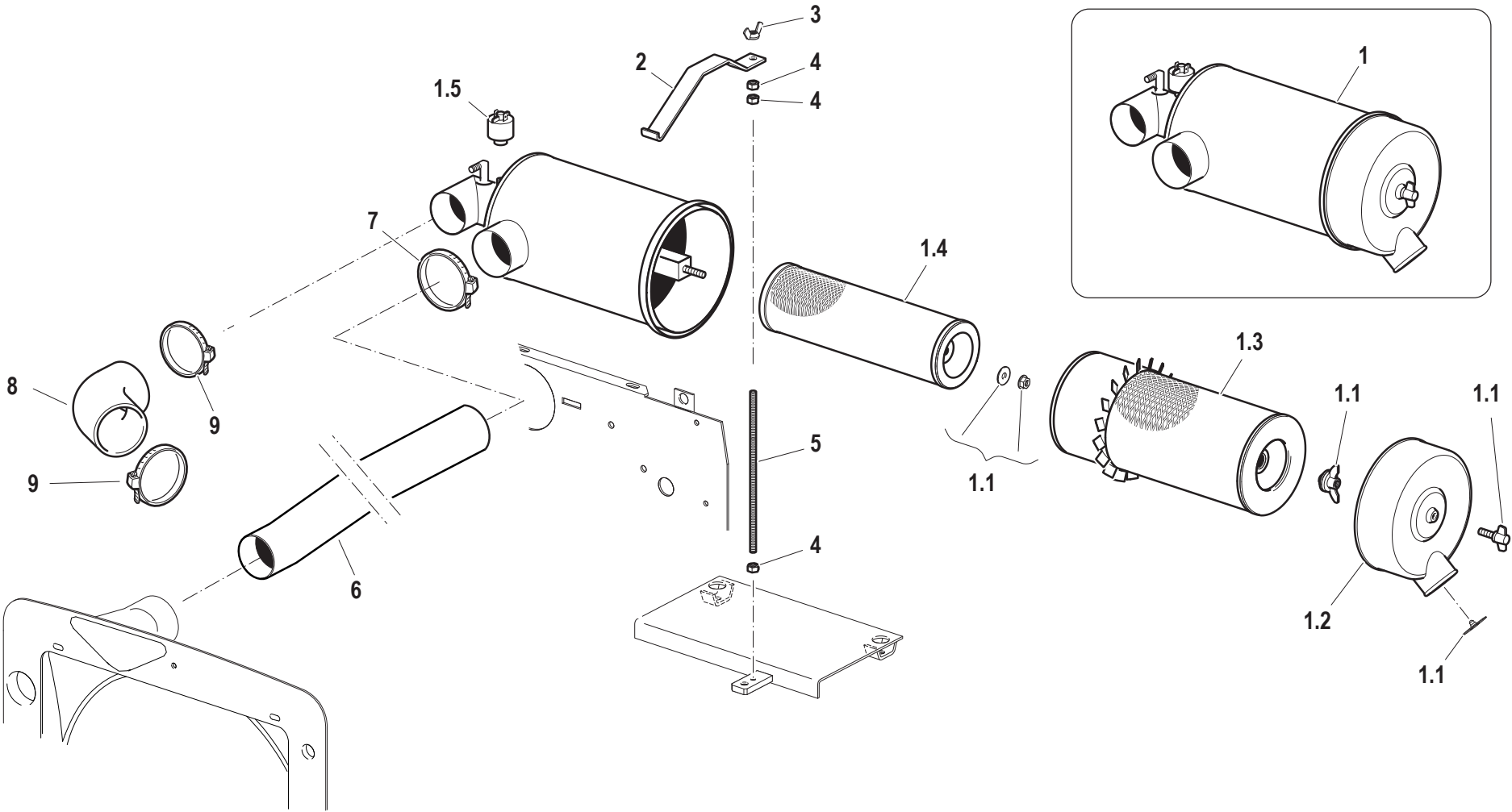
**COOLER EXTERNAL AIR INTAKE**

Hp 75

CODE REV

**A.03.02.L70001\_0**

# AIR FILTER



Pos.	Code	Q.ty	Description	Notes
3	31200501	1	NUT M8	
4	31211080	3	NUT M8	
5	56174635	1	ROD	
2	56174636	1	FIXING BRACKET	
8	58076751	1	SLEEVE	
6	58076753	1	SUCTION PIPE	
1.4	58171027	1	CARTOUCHE	
1.3	58171028	1	CARTOUCHE	
1.5	58175122	1	DIGITAL INSTRUMENT	
1	58176755	1	AIR FILTER	
1.2	59900347	1	COVER	
1.1	59900353	1	KIT	
9	F0817501000	2	CLAMP 072,5-706R	
7	F0817501200	1	CLAMP 077,0-706R	

SERIAL  
END

916940

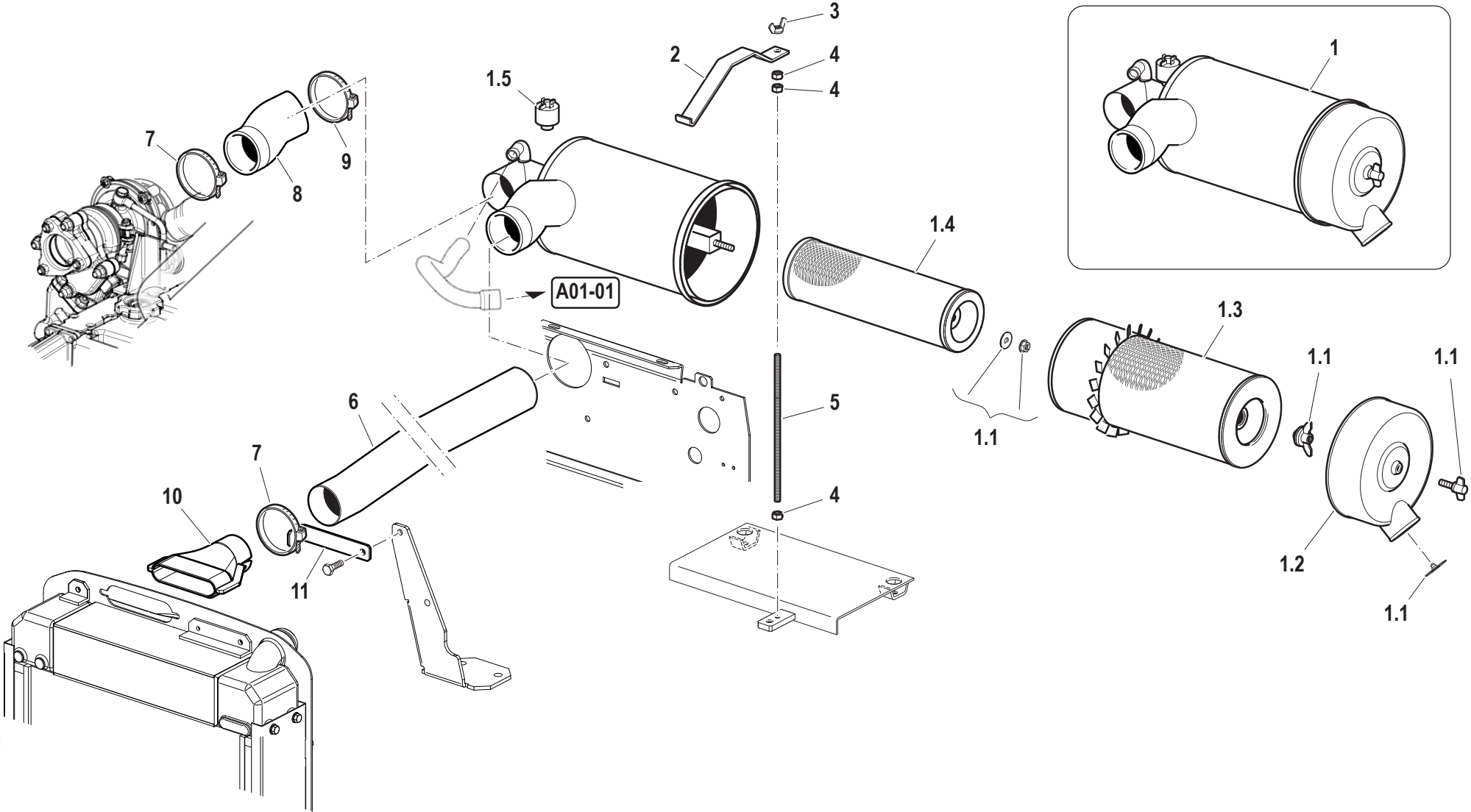
AIR FILTER

CODE REV

A.04.01.L70001\_0



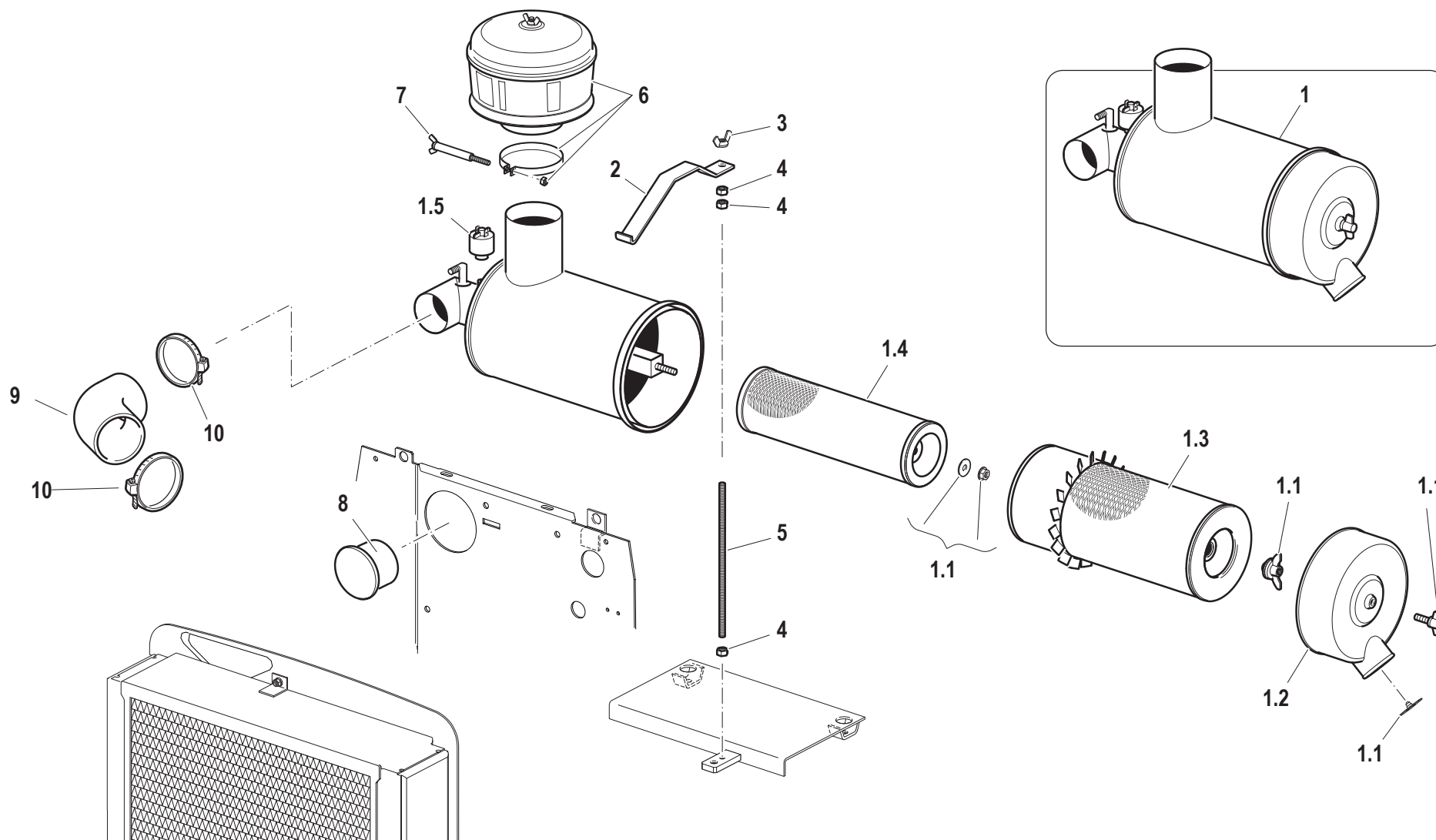
AIR FILTER



A.04.01.L60007\_1

Pos.	Code	Q.ty	Description	Notes
3	31200501	1	NUT M8	
4	31211080	3	NUT M8	
5	56174635	1	ROD	
2	56179619	1	FIXING BRACKET	
11	561A0664	1	FIXING BRACKET	
10	57372341	1	SOCKET	
8	580A0374	1	SLEEVE	
6	580A0377	1	SUCTION PIPE	
1.4	58171027	1	CARTOUCHE	
1.3	58171028	1	CARTOUCHE	
1.5	58175122	1	DIGITAL INSTRUMENT	
1	581A0343	1	AIR FILTER	
1.2	59900347	1	COVER	
1.1	59900353	1	KIT	
9	P453727000000	1	CLAMP	
7	P493188000000	1	CLAMP	

# AIR FILTER WITH EXTERNAL AIR INTAKE



Pos.	Code	Q.ty	Description	Notes
3	31200501	1	NUT M8	
4	31211080	3	NUT M8	
5	56174635	1	ROD	
2	56174636	1	FIXING BRACKET	
8	57377317	1	PLUG	
9	58076751	1	SLEEVE	
1.4	58171027	1	CARTOUCHE	
1.3	58171028	1	CARTOUCHE	
6	58171069	1	PRECLEANER	
1.5	58175122	1	DIGITAL INSTRUMENT	
1	58176898	1	AIR FILTER	
7	59073184	1	SCREW	
1.2	59900347	1	COVER	
1.1	59900353	1	KIT	
10	F0817501000	2	CLAMP 072,5-706R	

SERIAL  
END

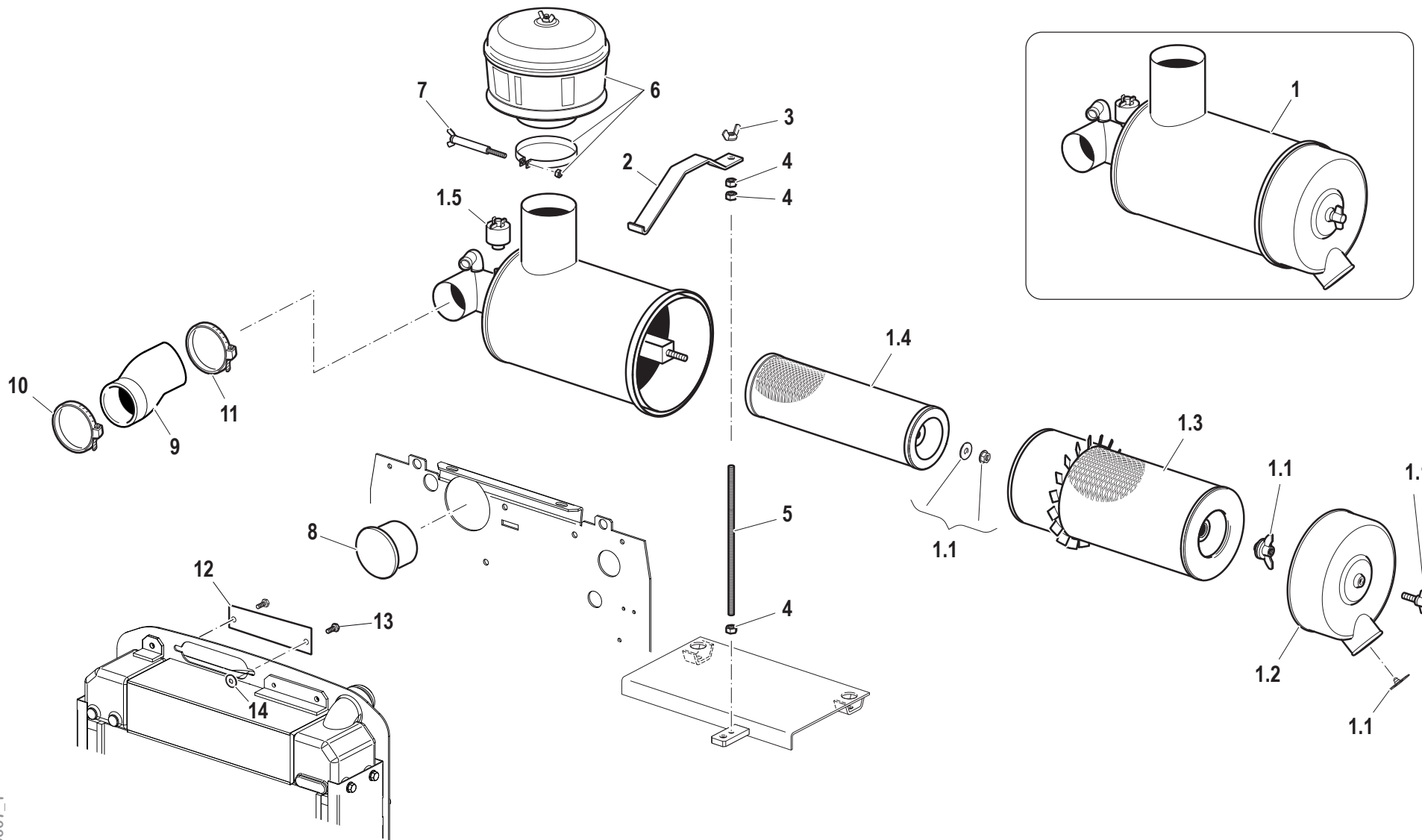
916940

**AIR FILTER WITH EXTERNAL AIR INTAKE**

CODE REV

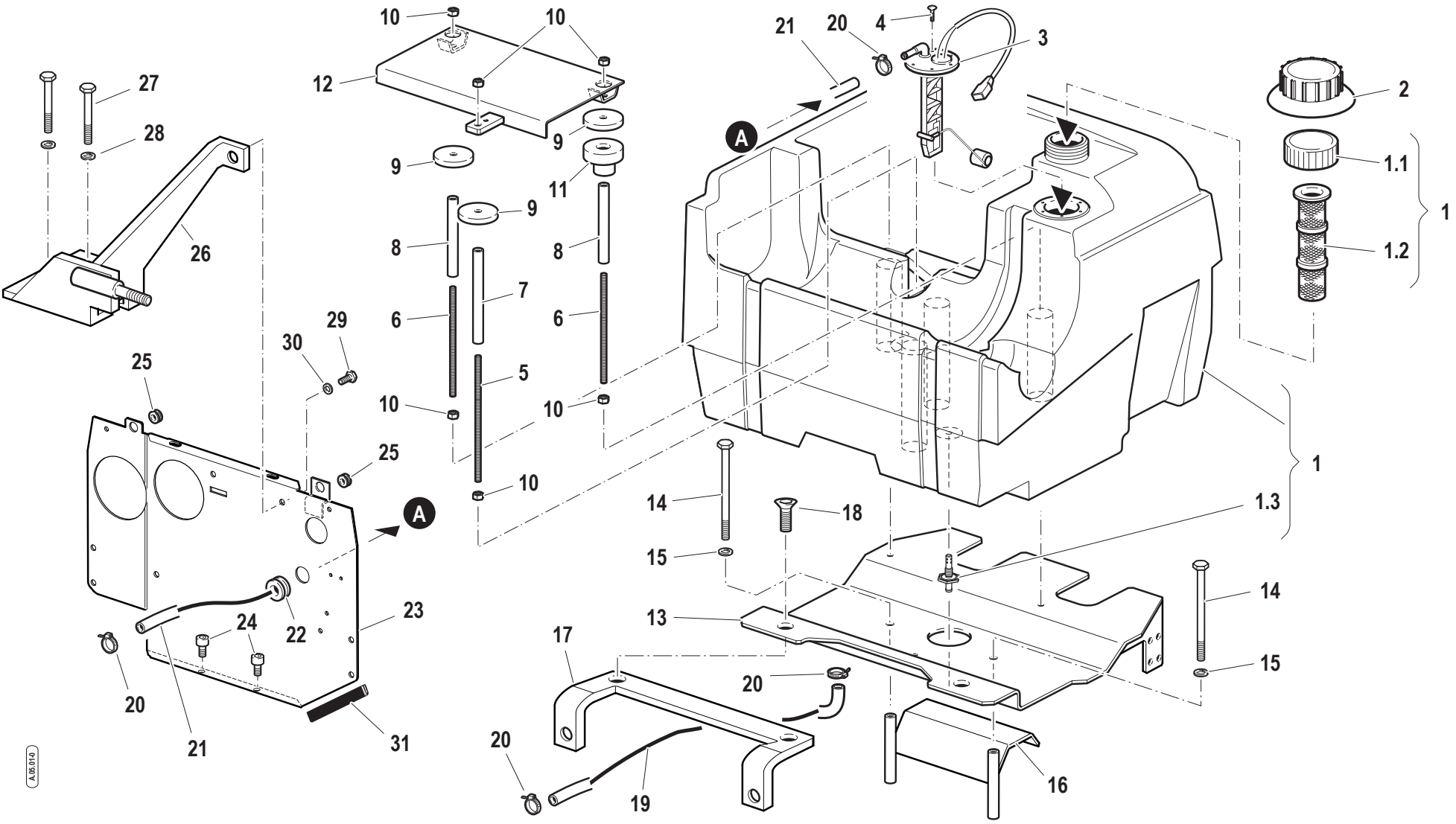
**A.04.04.L70001\_0**

# AIR FILTER WITH EXTERNAL AIR INTAKE



Pos.	Code	Q.ty	Description	Notes
13	31112090	2	SCREW TE M6X16 UNI 5739 8G	
3	31200501	1	NUT M8	
4	31211080	3	NUT M8	
14	31411064	2	WASHER 6,4x12,5	
5	56174635	1	ROD	
2	56179619	1	FIXING BRACKET	
12	56179784	1	STRIKER PLATE	
9	580A0374	1	SLEEVE	
1.4	58171027	1	CARTOUCHE	
1.3	58171028	1	CARTOUCHE	
6	58171069	1	PRECLEANER	
1.5	58175122	1	DIGITAL INSTRUMENT	
8	58178715	1	PASSING	
1	58179780	1	FILTER	
7	59073184	1	SCREW	
1.2	59900347	1	COVER	
1.1	59900353	1	KIT	
11	P453727000000	1	CLAMP	
10	P493188000000	1	CLAMP	

FUEL TANK



A.05.01.L60007\_0

A.05.01.0

Pos.	Code	Q.ty	Description	Notes
29	31111151	1	SCREW TE M8X16 UNI 5739 8G	
14	31111218	2	SCREW TE M10X140 UNI 5737 8G	
27	31112096	2	SCREW TE M6X85 UNI 5737 8G	
10	31211080	6	NUT M8	
1	552A2273	1	SERBATOIO CARBURANTE 75-95 **	
6	56077608	2	ROD	
5	56174635	1	ROD	
8	56176696	2	SPACER D.14x9/155,5	
7	56176716	1	SPACER	
9	56176814	3	SPACER D.55x8/4	
1.3	57174915	1	PIPE FITTING	
2	57371900	1	LINING	
19	58070690	1	PIPE	
21	58074895	1	PIPE	
11	58076752	3	STOPPER	
3	58170238	1	CONTROL	
22	58171901	1	CABLE GLAND 15,5-24-32-2	
23	59076679	1	DIVISION	
12	59076685	1	BATTERY SUPPORT	
26	59076686	1	BRACKET	
16	59076870	1	COVER	
13	59077933	1	SUPPORT	
17	59077935	1	FIXING BRACKET	
31	F0256808000	1	FLAT BAND	
20	F0817500200	4	CLAMP 015,7-706R	
25	F0825414000	2	CABLE GLAND 7-15-18,5-2,5	
28	F0843570000	2	WASHER 6	
30	F0843643060	1	WASHER 8	
15	F0843755000	2	WASHER 10	
1,1	F0849500001	1	TANK COVER	
1.1	F0849500001	1	TANK COVER	
1,2	F0849500002	1	FILTER	
1.2	F0849500002	1	FILTER	
4	F0861867050	6	SCREW M4,2X19 DIN 7981	

SERIAL  
END

**916940**

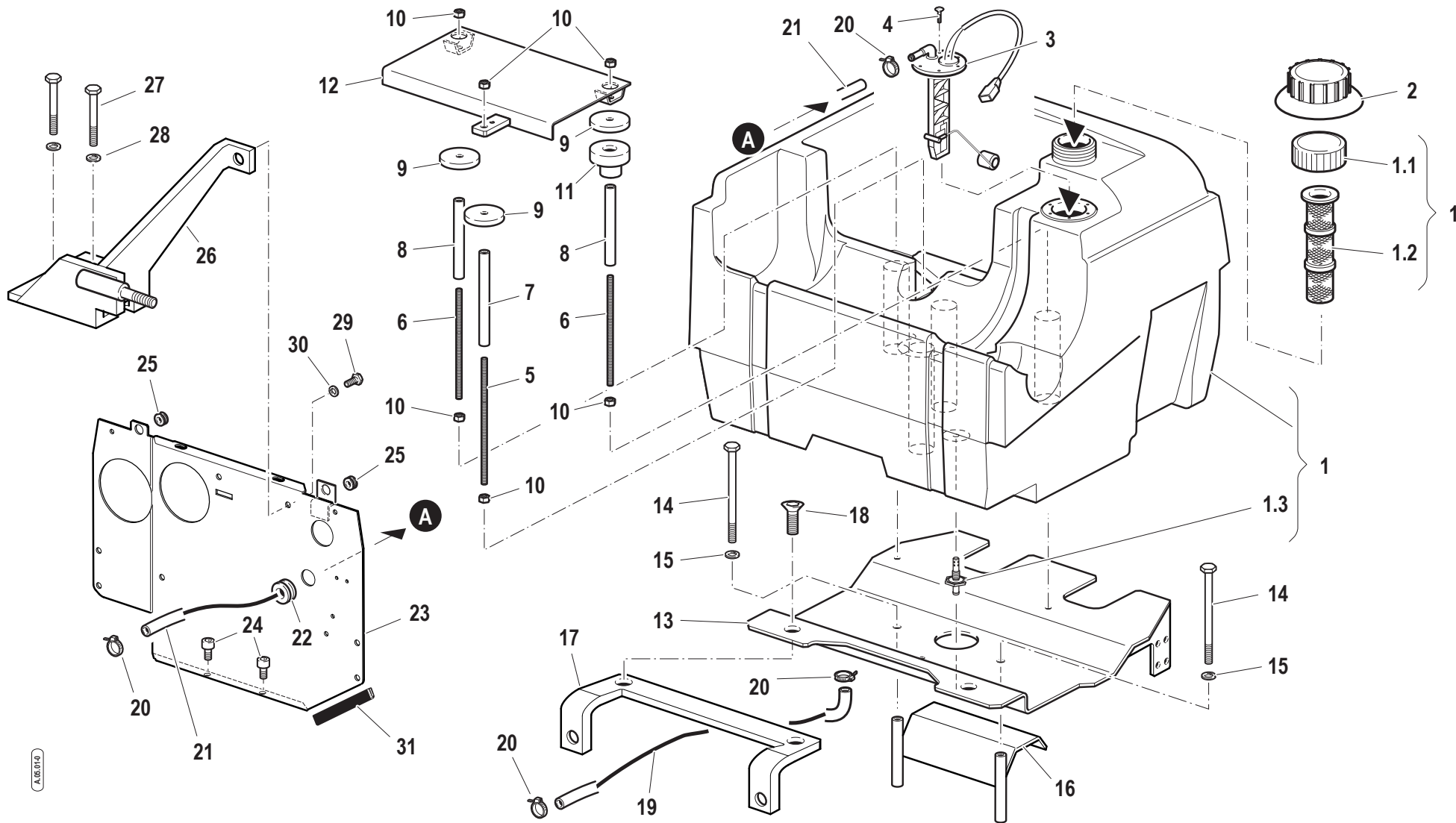
**FUEL TANK**

CODE REV

**A.05.01.L70001\_0**



# FUEL TANK



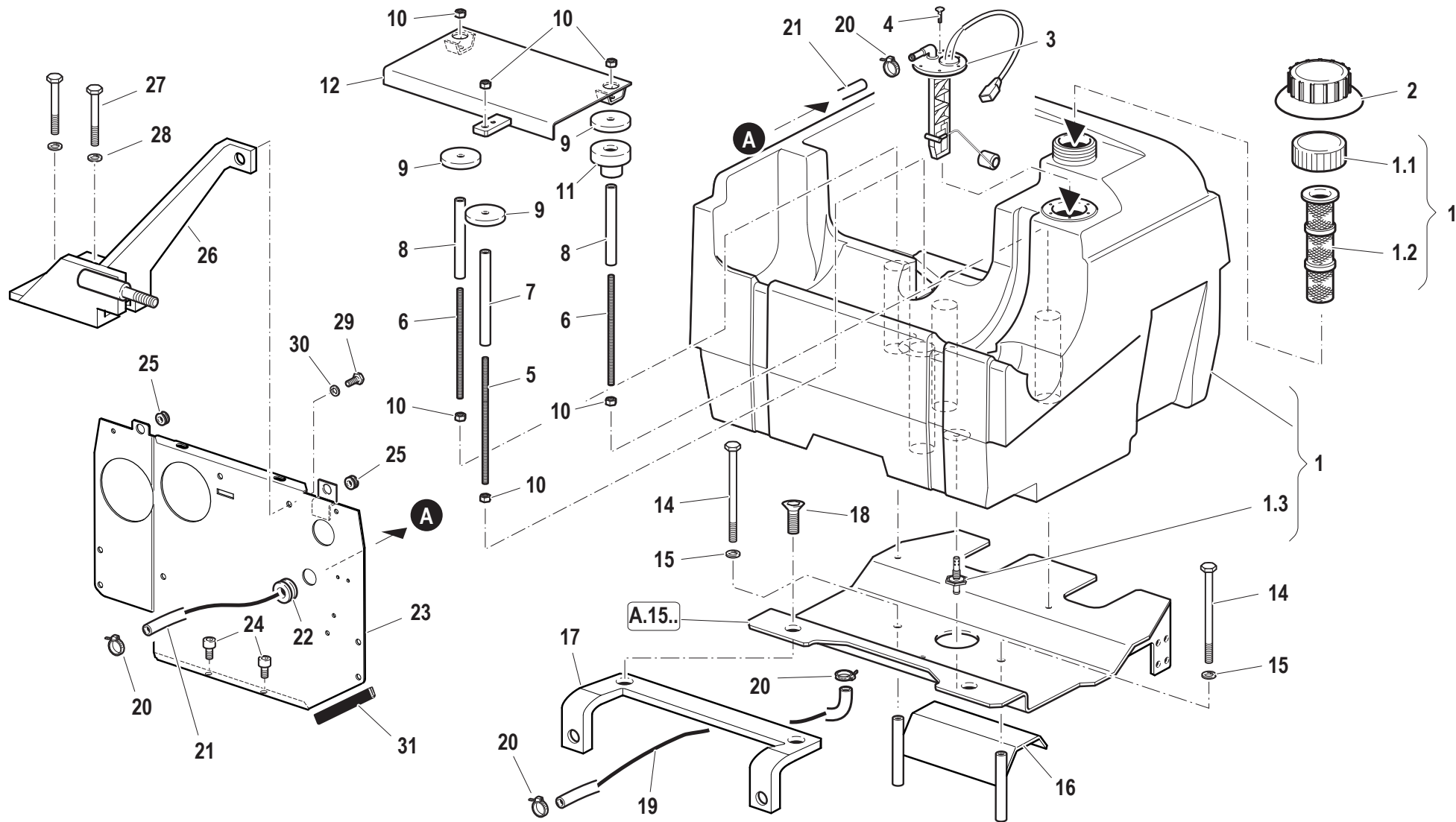
Pos.	Code	Q.ty	Description	Notes
24	F0862464050	2	SCREW UNI 5931	
18	F0862481000	2	SCREW M8x16 UNI 5933	

SERIAL  
END  
**916940**

**FUEL TANK**

CODE REV  
**A.05.01.L70001\_0**

# FUEL TANK



Pos.	Code	Q.ty	Description	Notes
29	31111151	1	SCREW TE M8X16 UNI 5739 8G	
14	31111218	2	SCREW TE M10X140 UNI 5737 8G	
27	31112096	2	SCREW TE M6X85 UNI 5737 8G	
10	31211080	6	NUT M8	
1	552A2273	1	SERBATOIO CARBURANTE 75-95 **	
6	56077608	2	ROD	
5	56174635	1	ROD	
8	56176696	2	SPACER D.14x9/155,5	
7	56176716	1	SPACER	
9	56176814	3	SPACER D.55x8/4	
1.3	57174915	1	PIPE FITTING	
2	57371900	1	LINING	
19	58070690	1	PIPE	
21	58074895	1	PIPE	
11	58076752	3	STOPPER	
3	58170238	1	CONTROL	
22	58171901	1	CABLE GLAND 15,5-24-32-2	
23	59076679	1	DIVISION	
12	59076685	1	BATTERY SUPPORT	
26	59076686	1	BRACKET	
16	59076870	1	COVER	
13	59077933	1	SUPPORT	
17	59077935	1	FIXING BRACKET	
31	F0256808000	1	FLAT BAND	
20	F0817500200	4	CLAMP 015,7-706R	
25	F0825414000	2	CABLE GLAND 7-15-18,5-2,5	
28	F0843570000	2	WASHER 6	
30	F0843643060	1	WASHER 8	
15	F0843755000	2	WASHER 10	
1,1	F0849500001	1	TANK COVER	
1.1	F0849500001	1	TANK COVER	
1,2	F0849500002	1	FILTER	
1.2	F0849500002	1	FILTER	
4	F0861867050	6	SCREW M4,2X19 DIN 7981	

SERIAL  
END

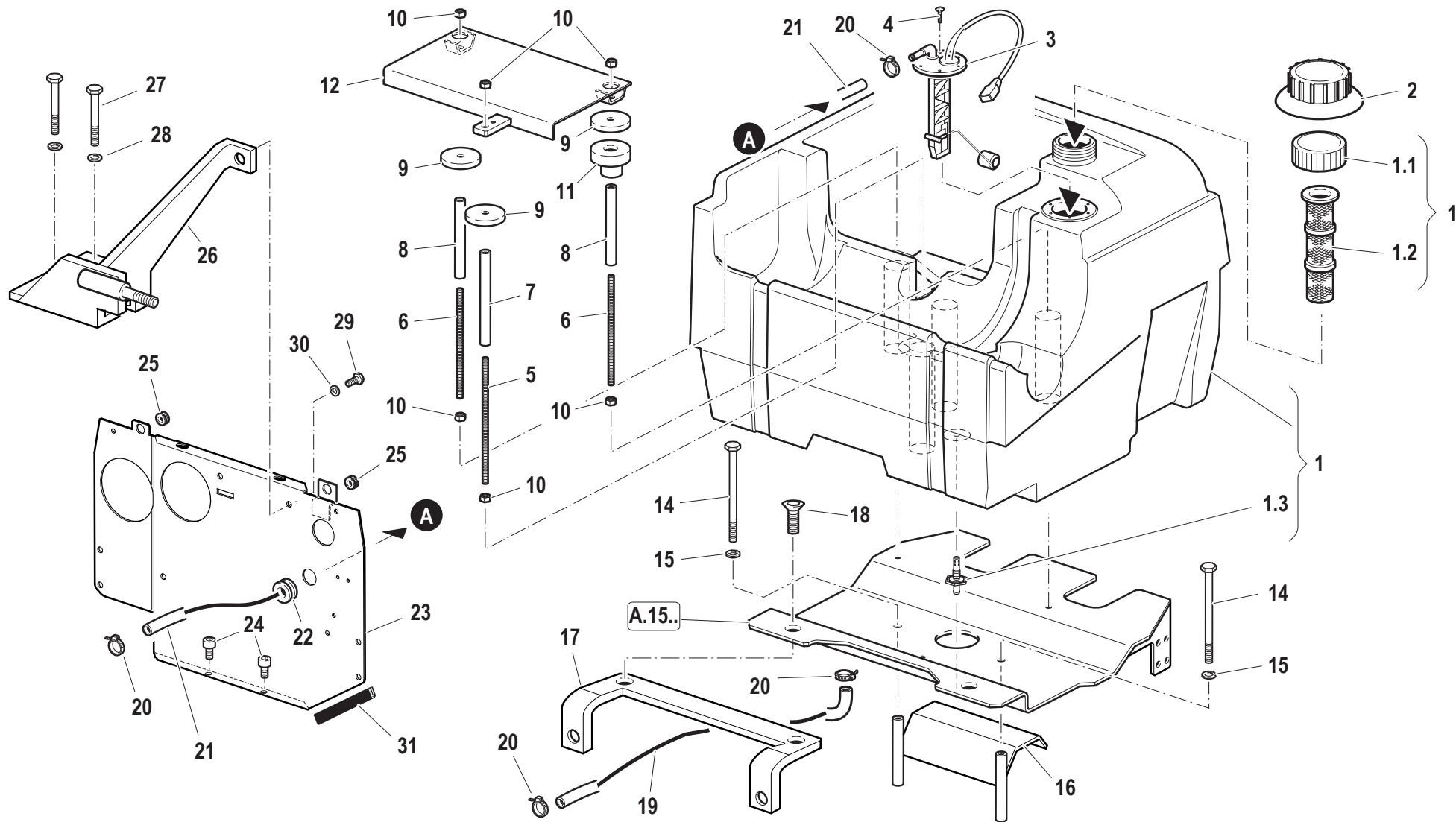
**916940**

**FUEL TANK**

CODE REV

**A.05.01.L70001\_0**

# FUEL TANK

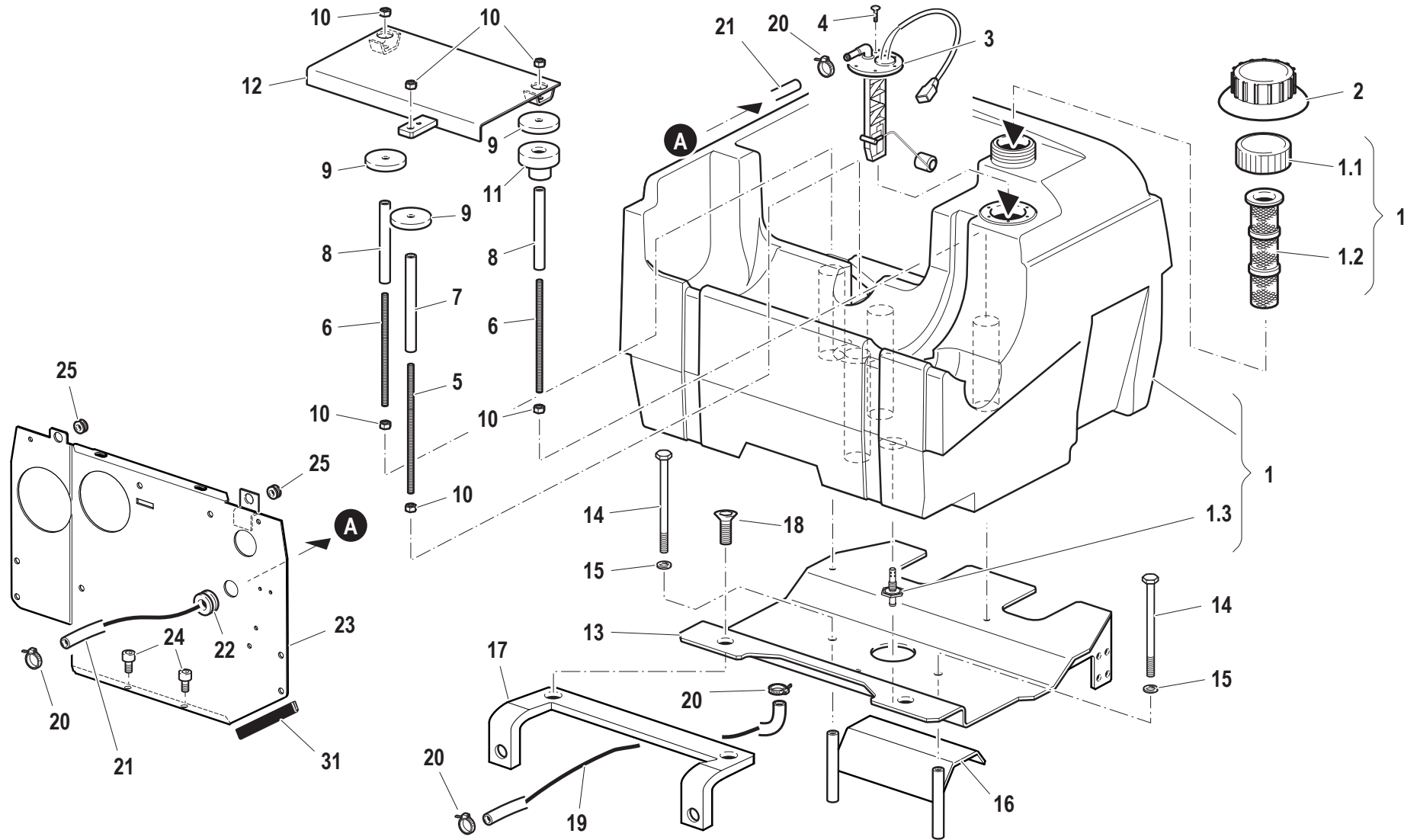


Pos.	Code	Q.ty	Description	Notes
24	F0862464050	2	SCREW UNI 5931	
18	F0862481000	2	SCREW M8x16 UNI 5933	

SERIAL  
END  
**916940**

**FUEL TANK**

CODE REV  
**A.05.01.L70001\_0**



Pos.	Code	Q.ty	Description	Notes
14	31111218	2	SCREW TE M10X140 UNI 5737 8G	
18	31132565	2	SCREW TSVEI M8x16 UNI 5933	
10	31211080	6	NUT M8	
1	552A2274	1	FUEL TANK	
6	56077608	2	ROD	
5	56174635	1	ROD	
8	56176696	2	SPACER D.14x9/155,5	
7	56176716	1	SPACER	
9	56176814	3	SPACER D.55x8/4	
1.3	57174915	1	PIPE FITTING	
2	57371900	1	LINING	
11	58076752	3	STOPPER	
21	580A0607	1	TUBO CARBOPRESS(8x15)L=720	
19	580A0677	1	TUBO CARBOPRESS(8x15)L=420	
3	58170238	1	CONTROL	
22	58171901	1	CABLE GLAND 15,5-24-32-2	
12	59076685	1	BATTERY SUPPORT	
16	59076870	1	COVER	
13	59077933	1	SUPPORT	
17	59077935	1	FIXING BRACKET	
23	59079615	1	DIVISION	
26	F0256808000	1	FLAT BAND	
31	F0256808000	1	FLAT BAND	
20	F0817505200	8	FAS.10-19 SE519W4(30021119)*mr	
25	F0825414000	2	CABLE GLAND 7-15-18,5-2,5	
15	F0843755000	2	WASHER 10	
1,1	F0849500001	1	TANK COVER	
1.1	F0849500001	1	TANK COVER	
1,2	F0849500002	1	FILTER	
1.2	F0849500002	1	FILTER	
4	F0861867050	6	SCREW M4,2X19 DIN 7981	
24	F0862464050	2	SCREW UNI 5931	
18	F0862481000	2	SCREW M8x16 UNI 5933	

SERIAL  
START  
**916941**

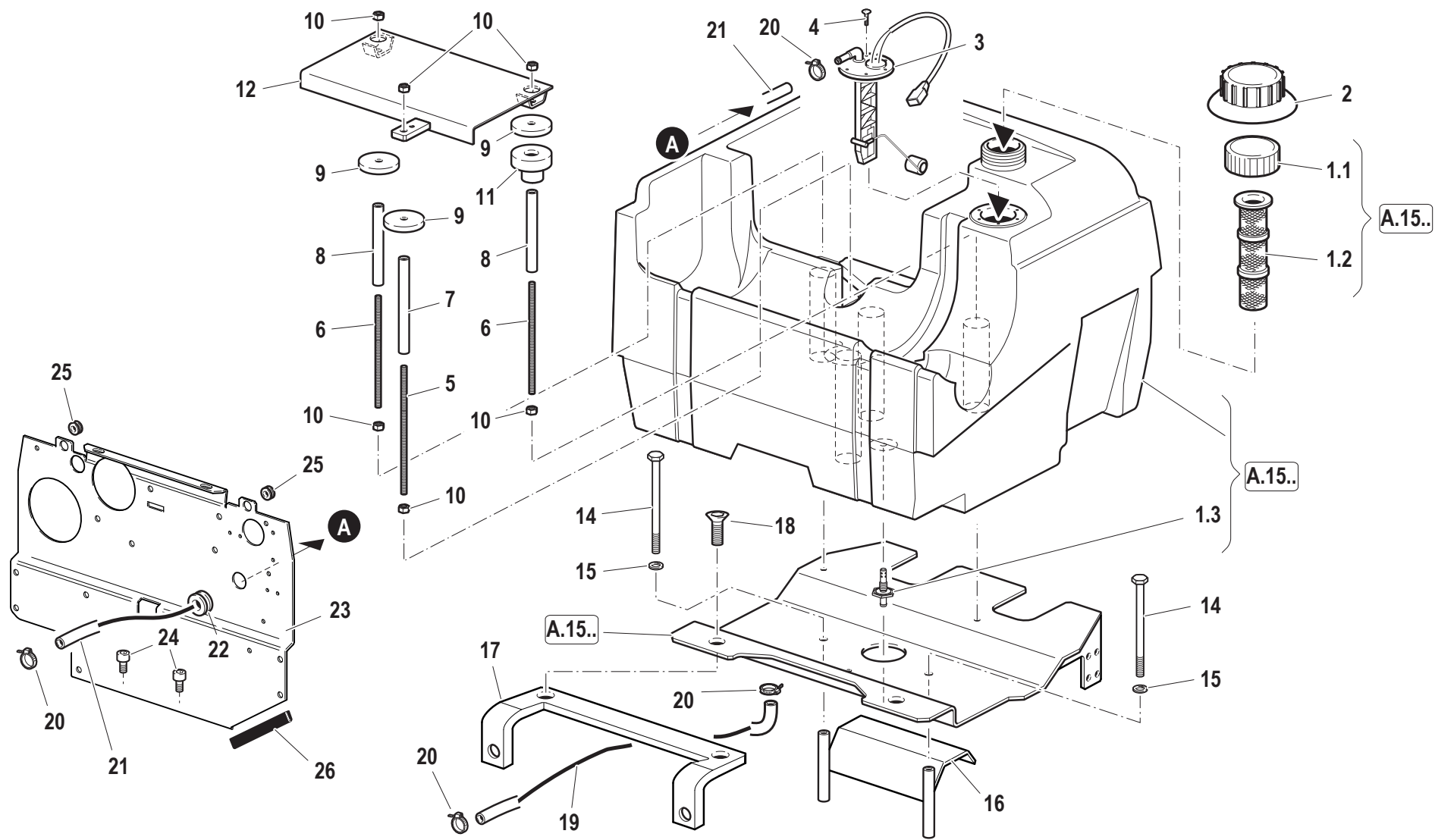
**FUEL TANK**

CODE REV

**A.05.01.L70001\_1**



# FUEL TANK



Pos.	Code	Q.ty	Description	Notes
14	31111218	2	SCREW TE M10X140 UNI 5737 8G	
18	31132565	2	SCREW TSVEI M8x16 UNI 5933	
10	31211080	6	NUT M8	
1	552A2274	1	FUEL TANK	
6	56077608	2	ROD	
5	56174635	1	ROD	
8	56176696	2	SPACER D.14x9/155,5	
7	56176716	1	SPACER	
9	56176814	3	SPACER D.55x8/4	
1.3	57174915	1	PIPE FITTING	
2	57371900	1	LINING	
11	58076752	3	STOPPER	
21	580A0607	1	TUBO CARBOPRESS(8x15)L=720	
19	580A0677	1	TUBO CARBOPRESS(8x15)L=420	
3	58170238	1	CONTROL	
22	58171901	1	CABLE GLAND 15,5-24-32-2	
12	59076685	1	BATTERY SUPPORT	
16	59076870	1	COVER	
13	59077933	1	SUPPORT	
17	59077935	1	FIXING BRACKET	
23	59079615	1	DIVISION	
26	F0256808000	1	FLAT BAND	
31	F0256808000	1	FLAT BAND	
20	F0817505200	8	FAS.10-19 SE519W4(30021119)*mr	
25	F0825414000	2	CABLE GLAND 7-15-18,5-2,5	
15	F0843755000	2	WASHER 10	
1,1	F0849500001	1	TANK COVER	
1,1	F0849500001	1	TANK COVER	
1,2	F0849500002	1	FILTER	
1,2	F0849500002	1	FILTER	
4	F0861867050	6	SCREW M4,2X19 DIN 7981	
24	F0862464050	2	SCREW UNI 5931	
18	F0862481000	2	SCREW M8x16 UNI 5933	

SERIAL  
START  
**916941**

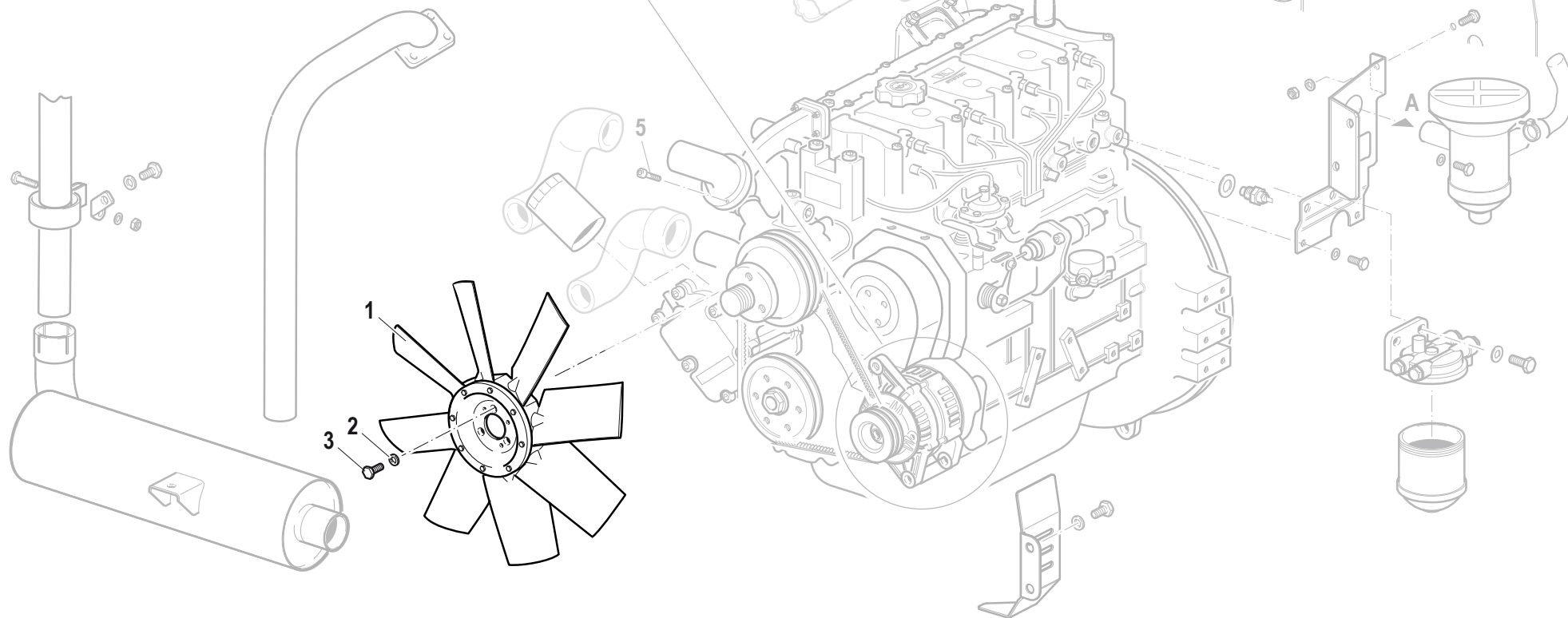
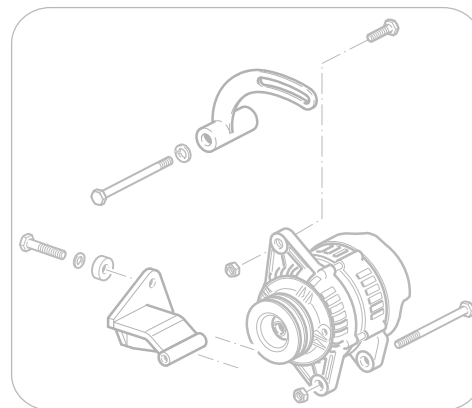
**FUEL TANK**

CODE REV

**A.05.01.L70001\_1**



MO TORE 4 CILINDRI - "13 C"  
4 CYLINDERS ENGINE - "13 C"  
MOTEUR 4 CYLINDRES - "13 C"  
4 ZYLINDERN MO TOR - "13 C"  
MO TOR 4 CILINDROS - "13 C"



Pos.	Code	Q.ty	Description	Notes
3	31112150	3	SCREW TE M8X20 UNI 5739 8G	
1	57376726	1	FAN	
2	F0843643060	7	WASHER 8	

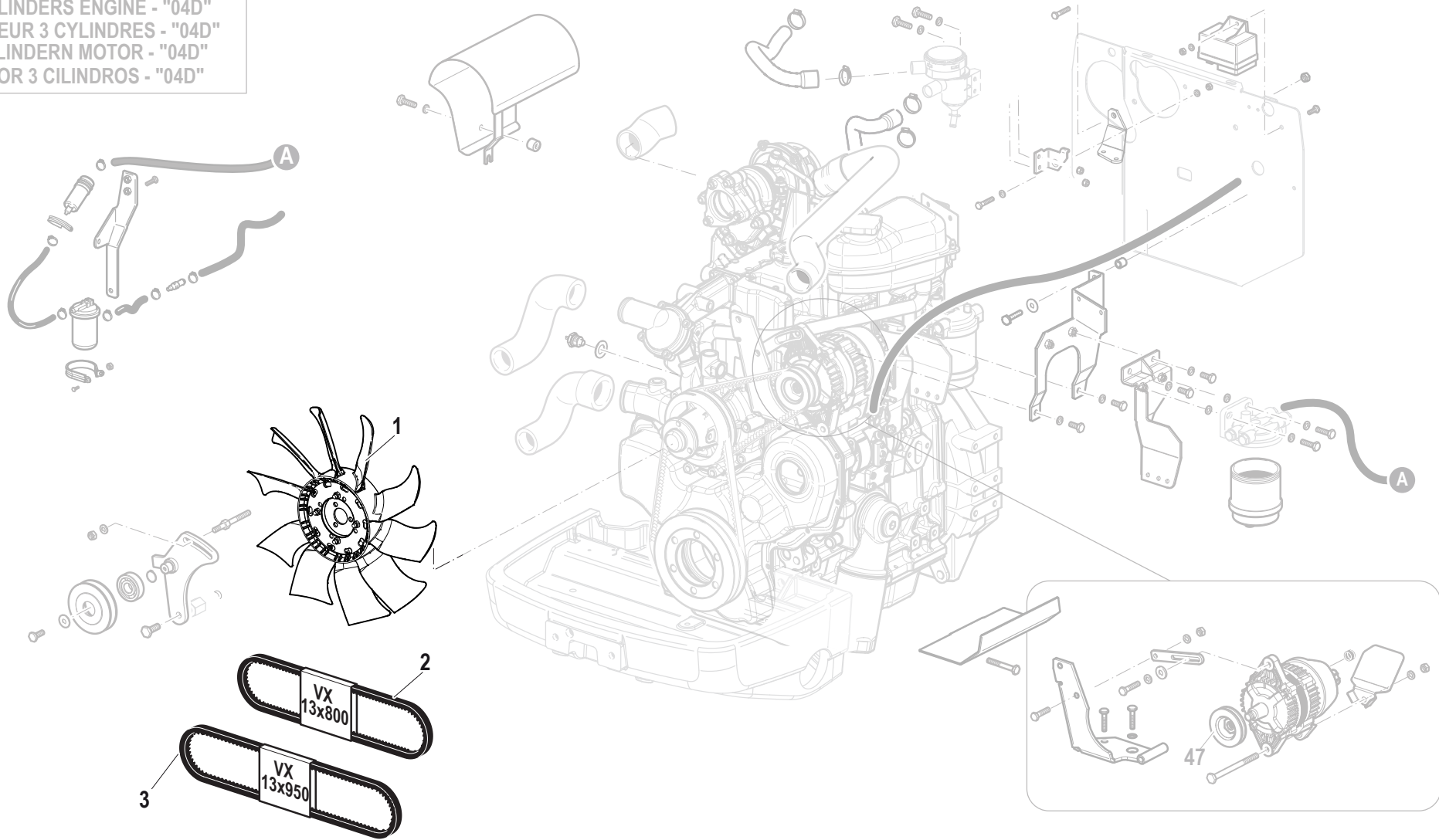
SERIAL  
END  
**916940**

**FAN ENGINE STD**

CODE REV  
**A.11.01.L70001\_1**



**VM MOTORI**  
MOTORE 3 CILINDRI - "04D"  
3 CYLINDERS ENGINE - "04D"  
MOTEUR 3 CYLINDRES - "04D"  
3 ZYLINDERN MOTOR - "04D"  
MOTOR 3 CILINDROS - "04D"




Pos.	Code	Q.ty	Description	Notes
1	58179704	1	FAN	
2	581A0269	1	ENGINE BELT	
3	581A0271	1	ENGINE BELT	

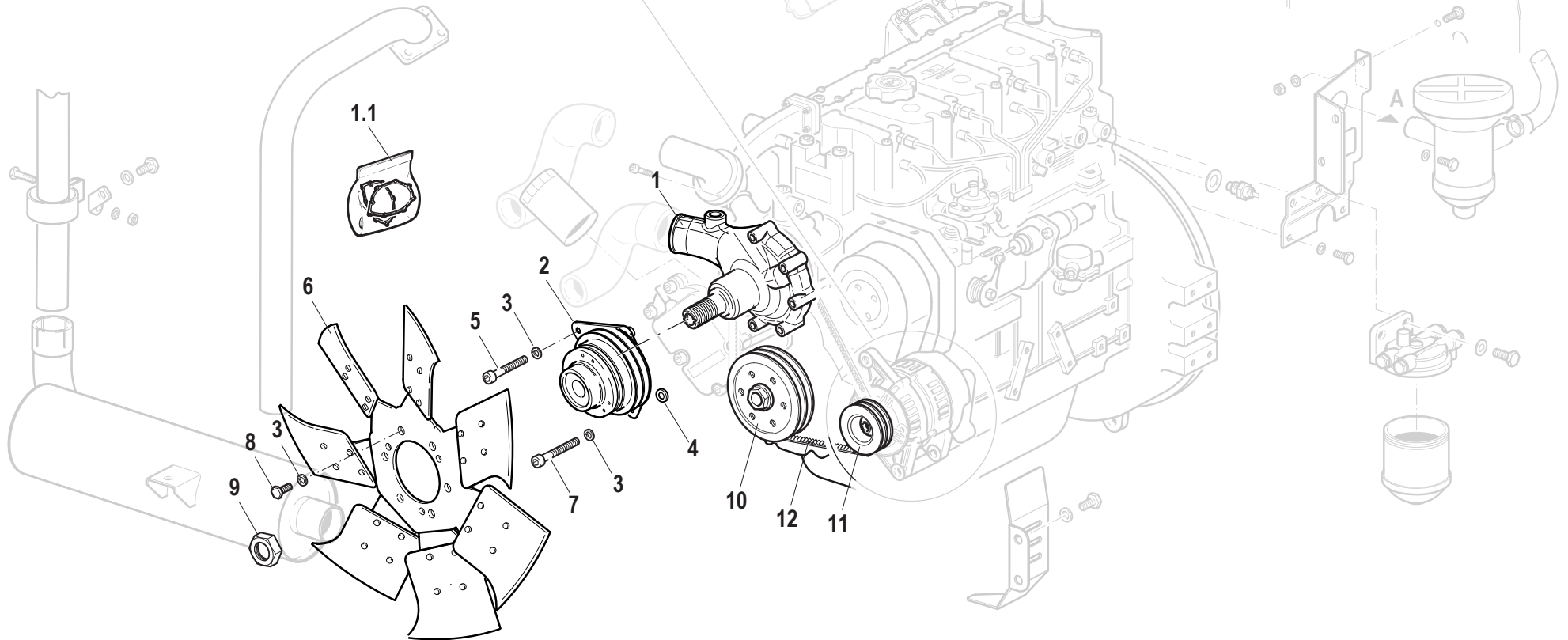
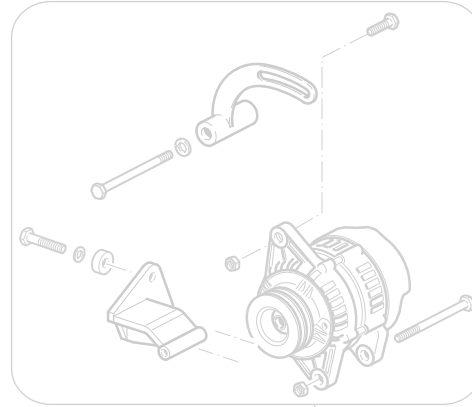
SERIAL  
START  
**916941**

**FAN ENGINE STD**

CODE REV  
**A.11.01.L70001\_2**

 **VM MOTORI**

MO TORE 4 CILINDRI - "13 C"  
4 CYLINDERS ENGINE - "13 C"  
MOTEUR 4 CYLINDRES - "13 C"  
4 ZYLINDERN MO TOR - "13 C"  
MO TOR 4 CILINDROS - "13 C"



Pos.	Code	Q.ty	Description	Notes
7	31112159	1	SCREW TE M8X65 UNI 5737 8G	
5	31152088	2	SCREW TCEI M8X55 UNI 5931	
12	36220210	1	BELT	
4	56172079	1	SPACER	
11	56377846	1	PULLEY	
10	56377847	1	PULLEY	
1	58079130	1	PUMP	
2	58177811	1	CLUTCH	
6	58177891	1	FAN	
9	59901264	1	RING NUT	
1,1	59901265	11	GASKET SET	
3	F0843643060	5	WASHER 8	
8	F0862495010	3	SCREW	

SERIAL  
END

916940

FAN ENGINE SCS

CODE REV

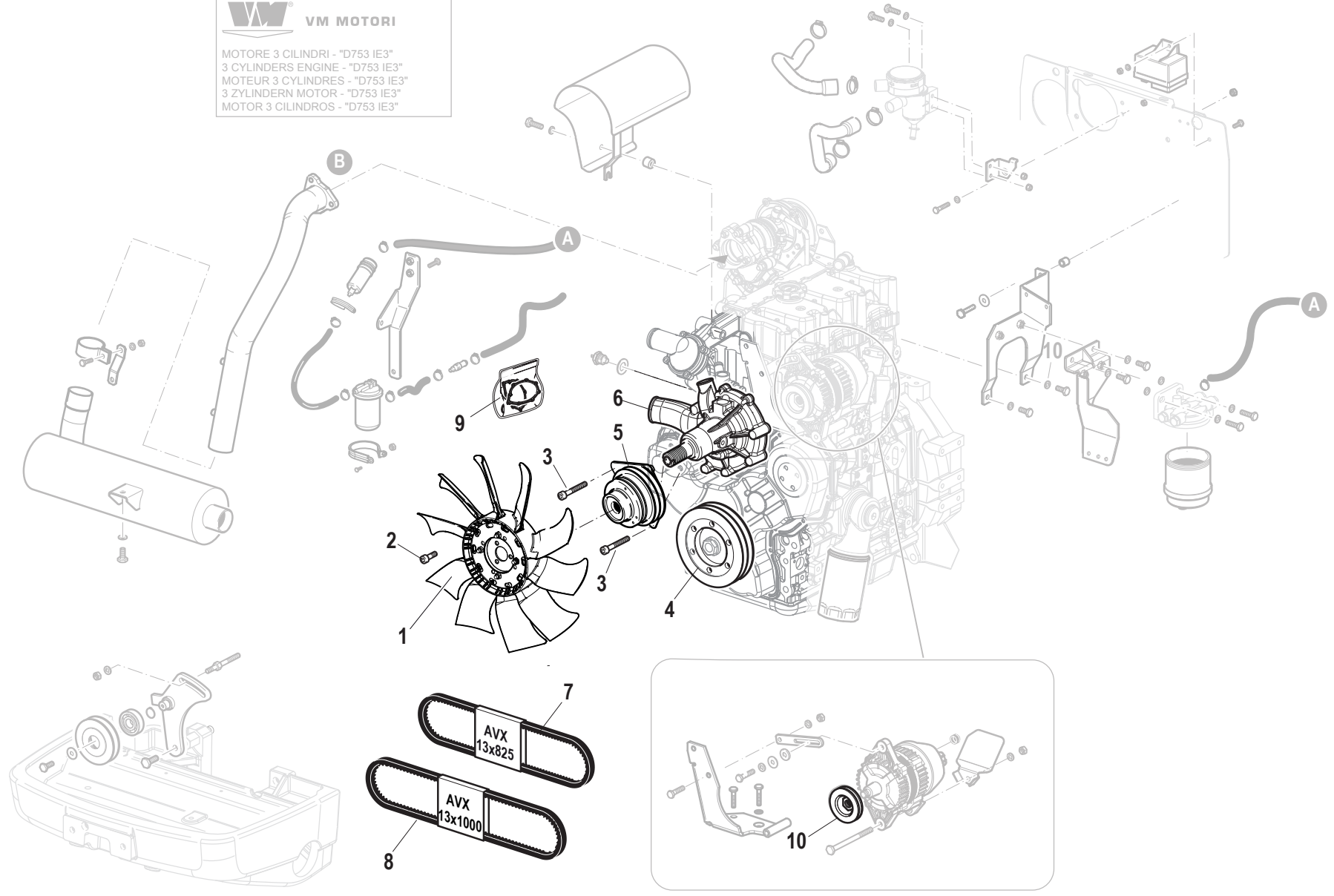
A.11.02.L70001\_1



# FAN ENGINE SCS

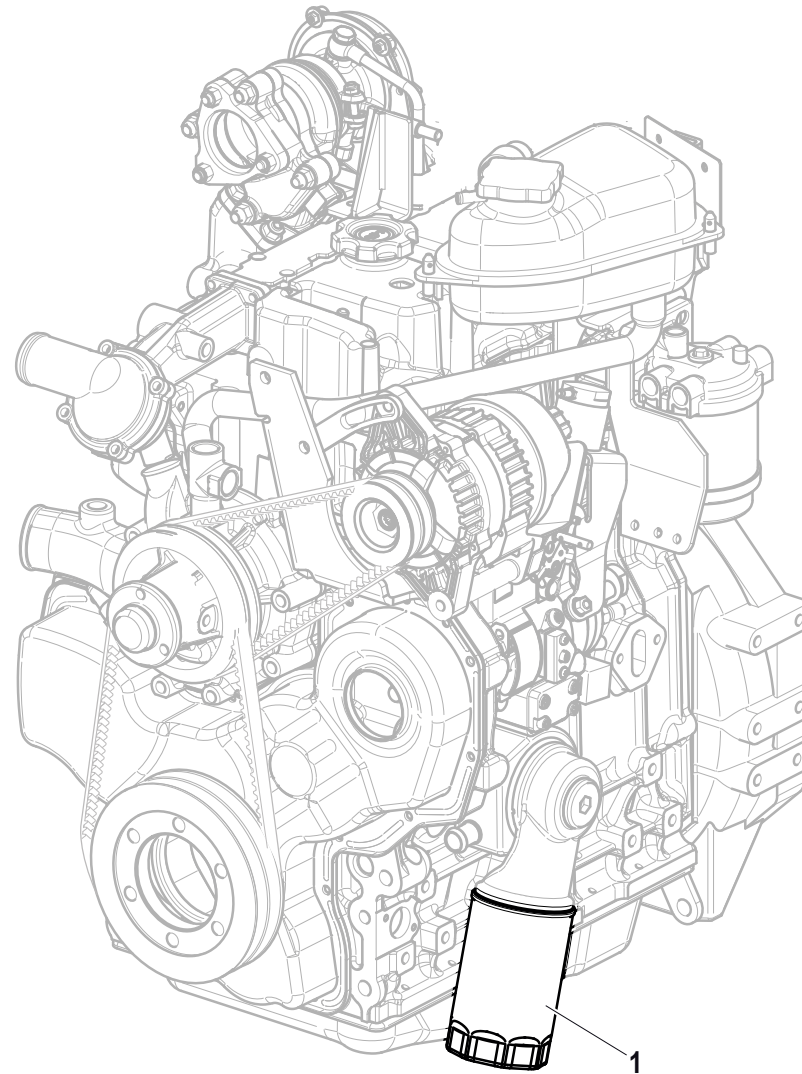
SERIAL START 916941

**VM MOTORI**  
MOTORE 3 CILINDRI - "D753 IE3"  
3 CYLINDERS ENGINE - "D753 IE3"  
MOTEUR 3 CYLINDRES - "D753 IE3"  
3 ZYLINDER MOTOR - "D753 IE3"  
MOTOR 3 CILINDROS - "D753 IE3"



Pos.	Code	Q.ty	Description	Notes
3	31152088	2	SCREW TCEI M8X55 UNI 5931	
10	56377846	1	PULLEY	
4	56377847	1	PULLEY	
6	58079130	1	PUMP	
5	58177811	1	CLUTCH	
9	58177940	1	GASKET	
9	58177941	1	GASKET	
1	58179705	1	FAN	
7	581A0272	1	ENGINE BELT	
8	581A0274	1	ENGINE BELT	
2	F0862495010	3	SCREW	

**OIL FILTER STD**



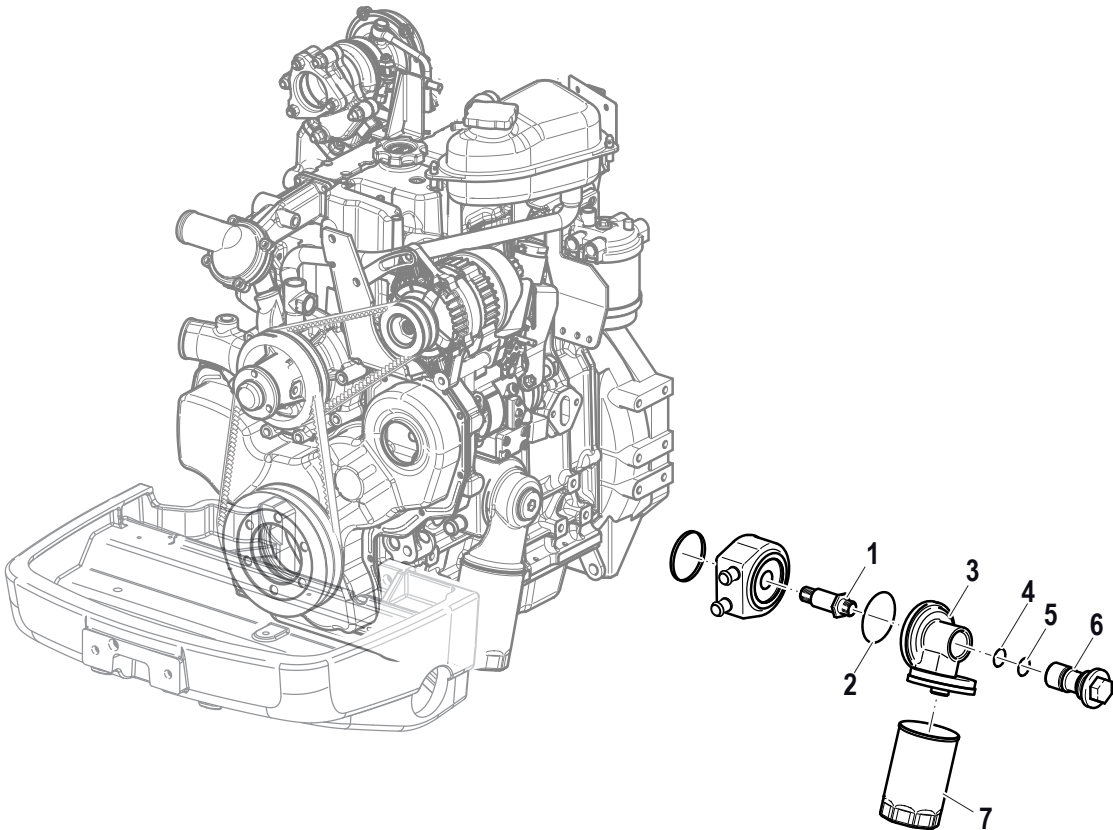
Pos.	Code	Q.ty	Description	Notes
1	58171199	2	OIL FILTER CARTRIDGE	

SERIAL  
START  
**916941**

**OIL FILTER STD**

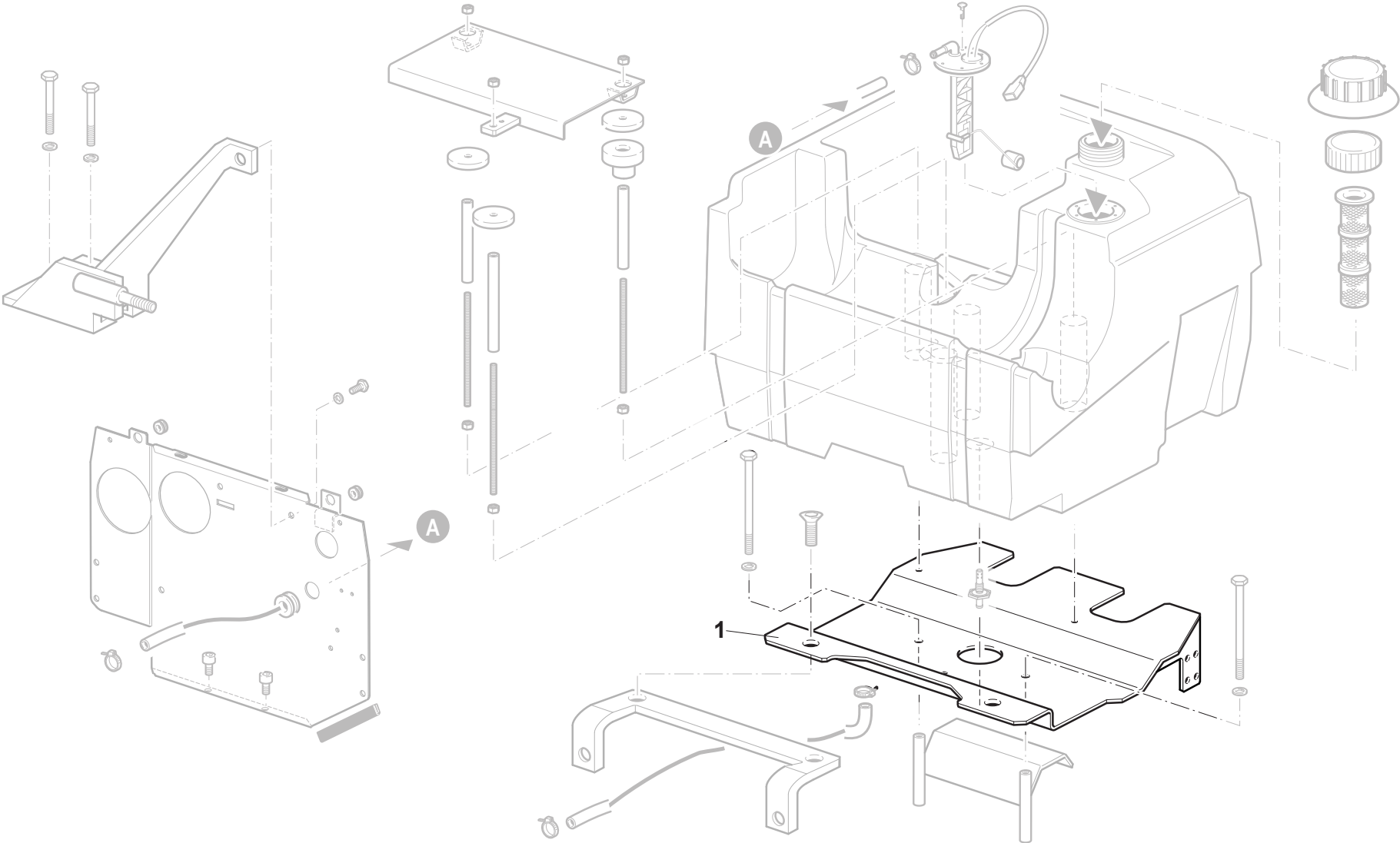
CODE REV  
**A.11.03.L70001\_2**

FRONT LIFT VERSION OIL FILTER



<b>Pos.</b>	<b>Code</b>	<b>Q.ty</b>	<b>Description</b>	<b>Notes</b>
7	58171199	1	OIL FILTER CARTRIDGE	
1	581A0733	1	PIPE FITTING	
2	581A0734	1	GASKET	
3	581A0735	1	BODY	
4	581A0736	1	GASKET	
5	581A0737	1	GASKET	
6	581A0738	1	PIPE FITTING	
3	581A0739	1	ADAPTER PART	

SUPPORT TANK STANDARD



Pos.	Code	Q.ty	Description	Notes
1	59077933	1	SUPPORT	

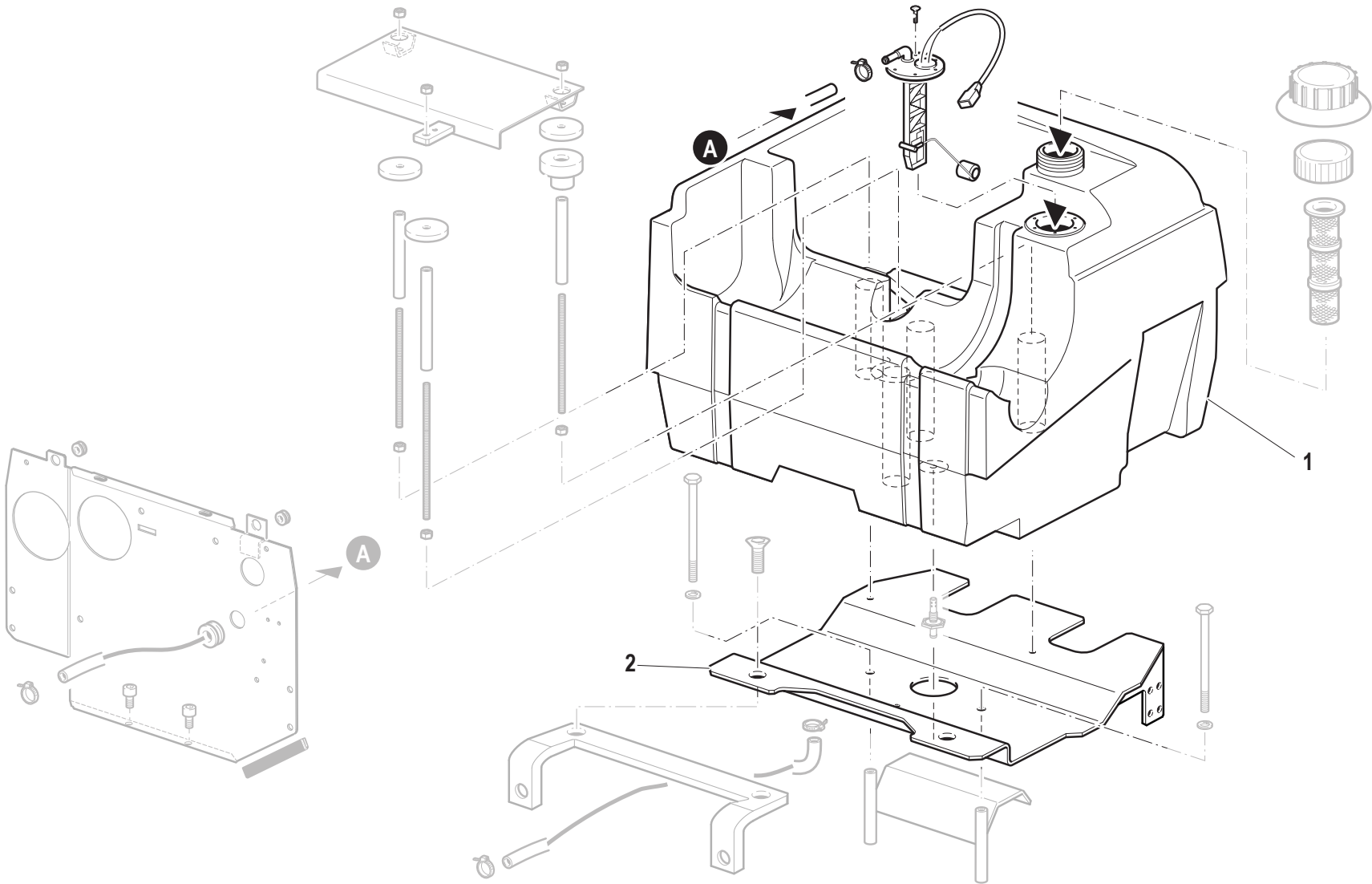
SERIAL  
END  
**916940**

**SUPPORT TANK STANDARD**

CODE REV  
**A.15.01.L70001\_0**



# SUPPORT TANK STANDARD



Pos.	Code	Q.ty	Description	Notes
1	552A2274	1	FUEL TANK	
2	59077933	1	SUPPORT	

SERIAL  
START  
**916941**

**SUPPORT TANK STANDARD**

CODE REV  
**A.15.01.L70001\_1**

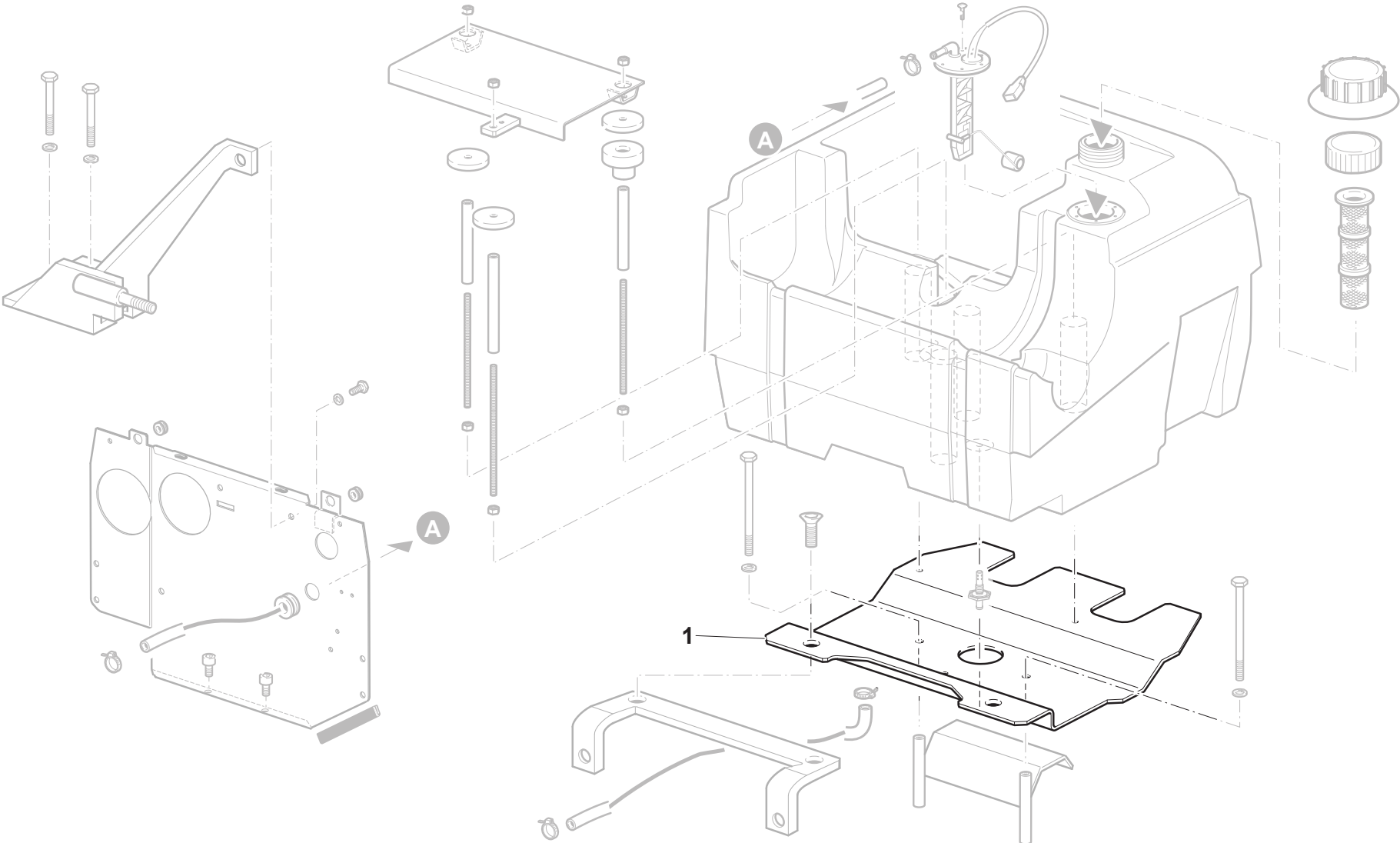


# SUPPORT TANK WITH STANDARD CAB

CODE REV

SERIAL END 916940

A.15.02.L70001\_0



A.15.02.L70001\_0.ai

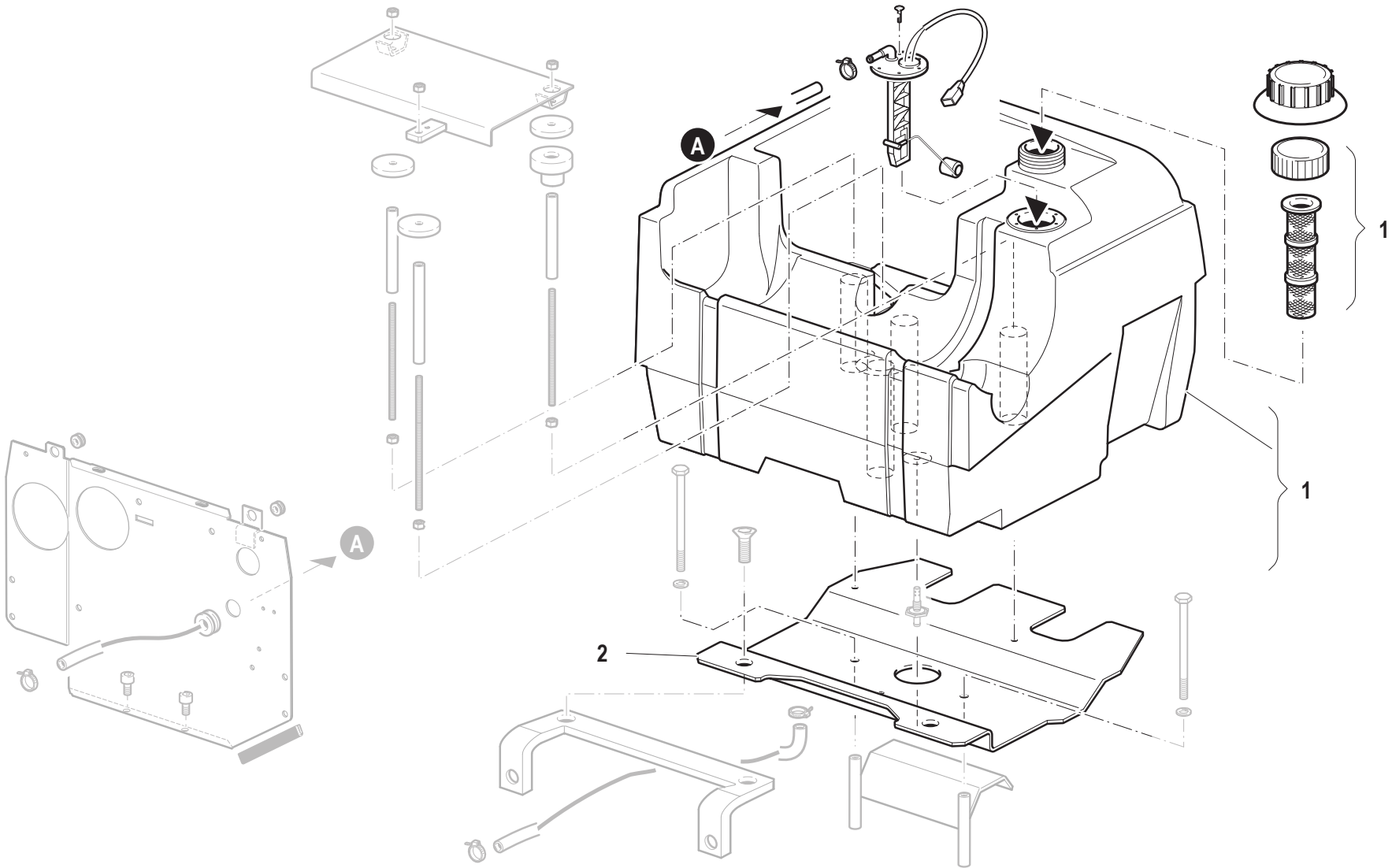
Pos.	Code	Q.ty	Description	Notes
1	59077934	1	SUPPORT	

SERIAL  
END  
**916940**

**SUPPORT TANK WITH STANDARD CAB**

CODE REV  
**A.15.02.L70001\_0**

# SUPPORT TANK WITH STANDARD CAB

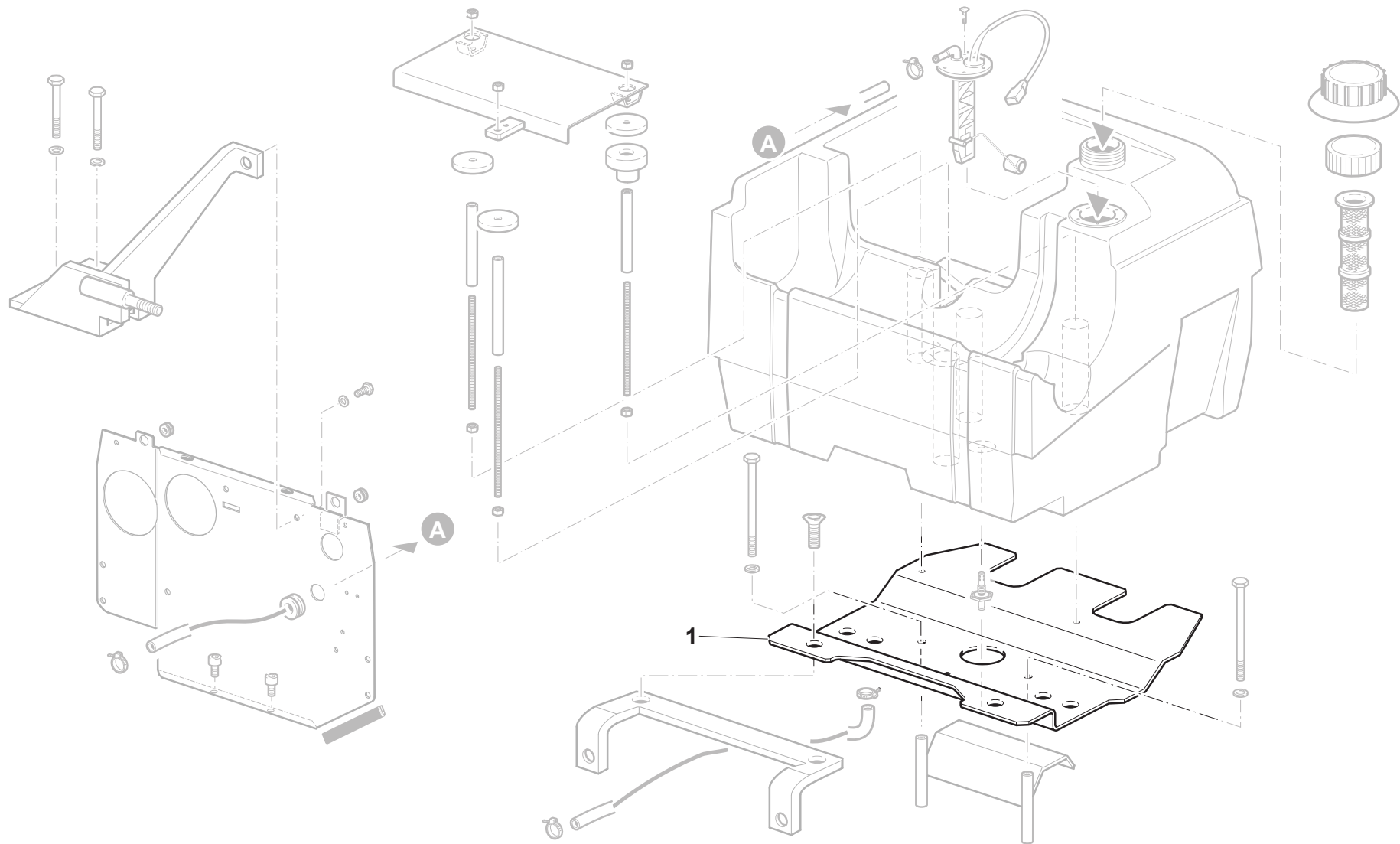


Pos.	Code	Q.ty	Description	Notes
1	55276745		TANK	
2	59077934		SUPPORT	

SERIAL  
START  
**916941**

**SUPPORT TANK WITH STANDARD CAB**

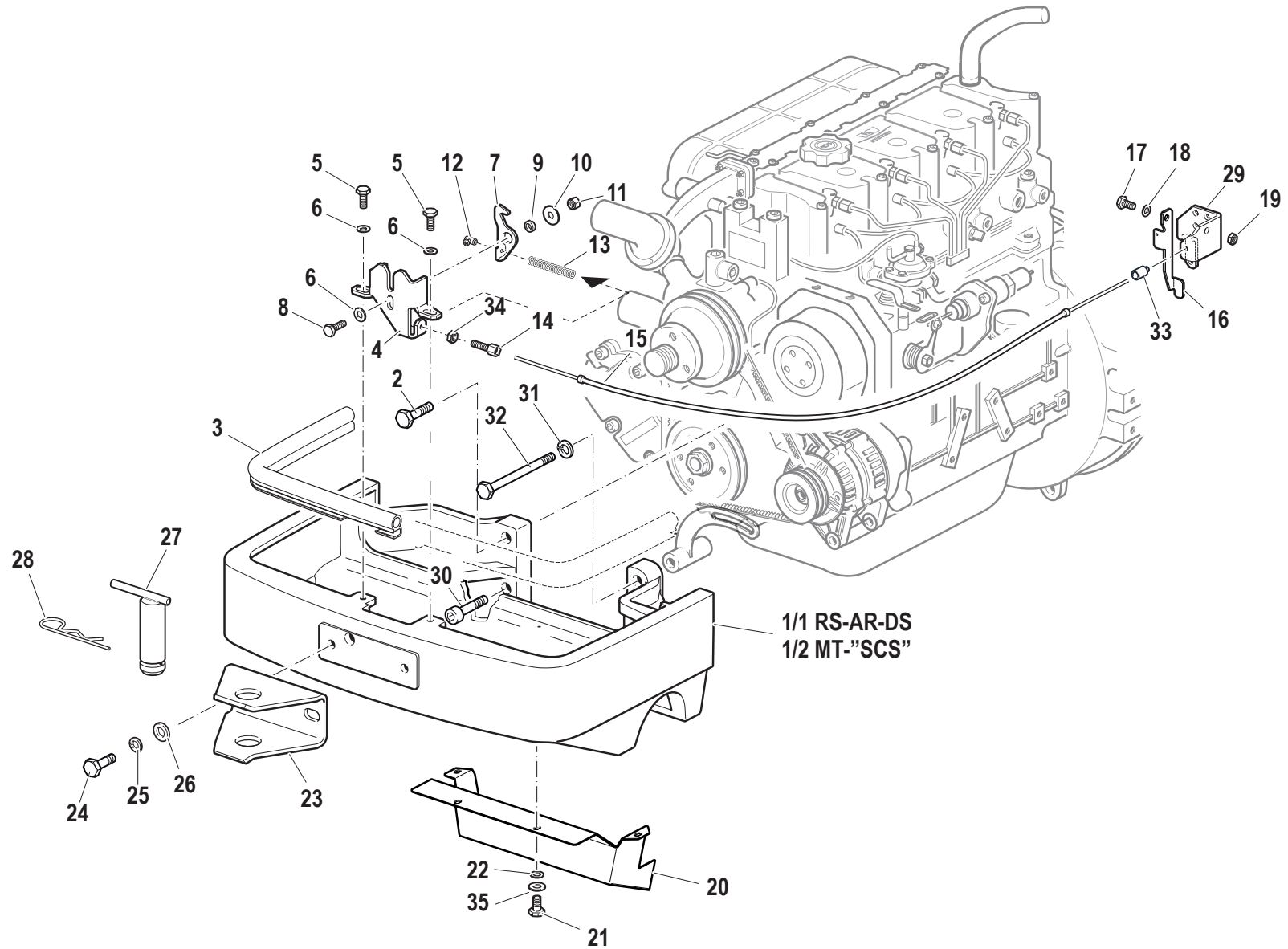
CODE REV  
**A.15.02.L70001\_1**



Pos.	Code	Q.ty	Description	Notes
1	59079313		TANK SUPPORT	



# FRONT SUPPORT



Pos.	Code	Q.ty	Description	Notes
17	31111151	1	SCREW TE M8X16 UNI 5739 8G	
2	31111331	1	SCREW TE M14X50 UNI5739 8G	
21	31112082	4	SCREW TE M6X12 UNI 5739 8G	
5	31112150	2	SCREW TE M8X20 UNI 5739 8G	
8	31112151	1	SCREW TE M8X25 UNI 5739 8G	
24	31112328	2	SCREW TE M14X35 UNI 5739	
34	31231080	1	NUT M8	
11	31241080	1	HEXAGON SELFLOCK NUT M8	
35	31411064	4	WASHER 6,4x12,5	
6	31411084	3	WASHER 8,4x17	
10	31411090	1	WASHER 9x24	
26	31411150	2	WASHER 15x28	
31	31421251	1	WASHER	
1	51176714	1	FRONT SUPPORT	
33	56170491	1	STOP	
4	56174657	1	FIXING BRACKET	
7	56174658	1	HOOD HOOK	
9	56174659	1	SPACER	
29	56174661	1	BRACKET	
23	56174873	1	TOW HOOK	
16	56177643	1	LEVER	
14	56177656	1	REGISTER	
12	58048002	1	CLAMPING SCREW	
15	58074831	1	CABLE	
3	58177274	1	HOOD SEAL	
27	59075283	1	PIN	
20	59076756	1	SHIELD	
19	F0814569000	1	NUT	
13	F0831065000	1	SPRING	
22	F0843570000	4	WASHER 6	
18	F0843643060	1	WASHER 8	
25	F0843921030	2	WASHER 14	
28	F0851497000	1	SPLIT PIN	
30	F0864290010	2	SCREW M14X50 UNI 5931	

SERIAL  
END

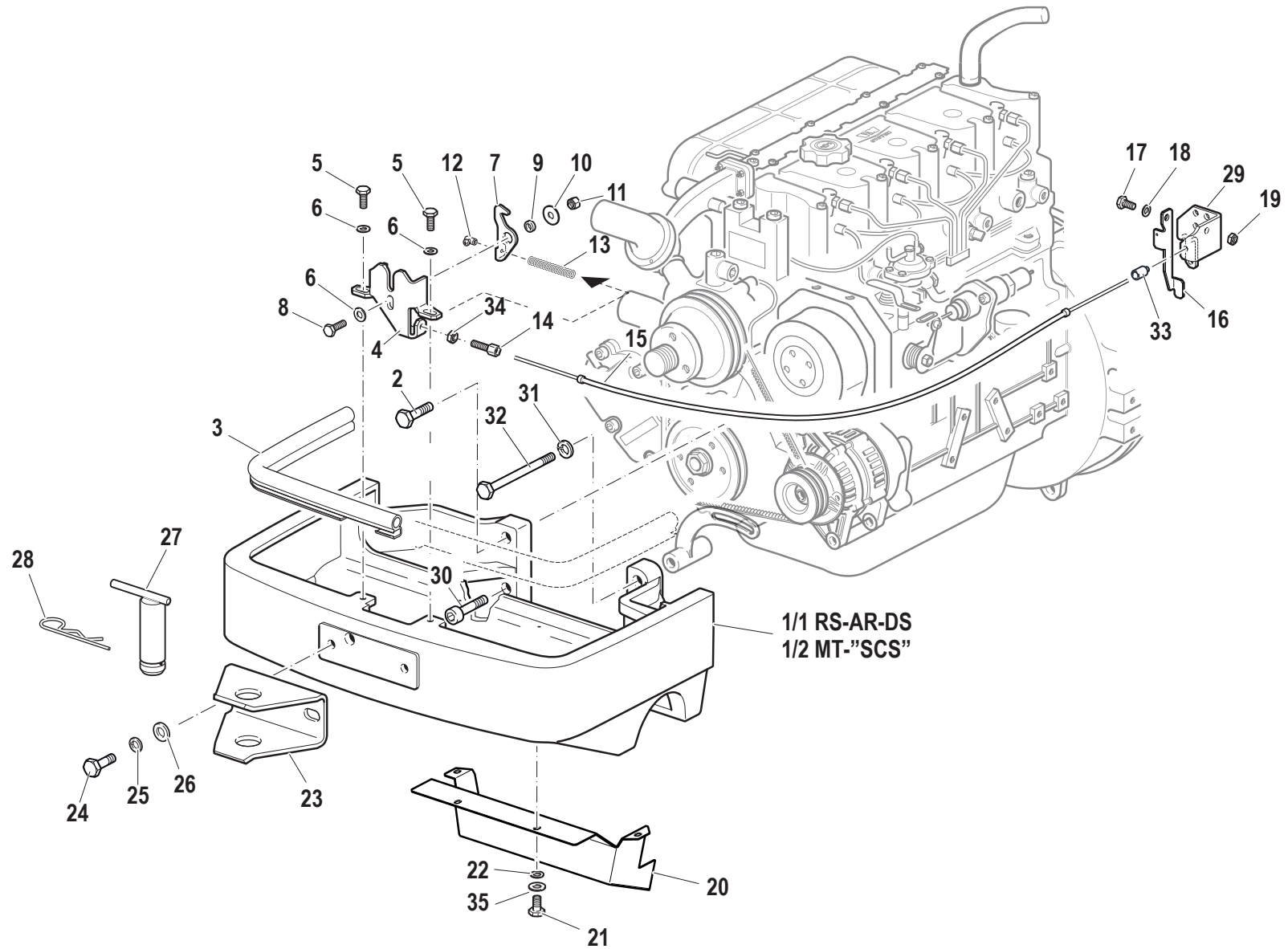
**916940**

**FRONT SUPPORT**

CODE REV

**B.01.01.L70001\_0**

# FRONT SUPPORT



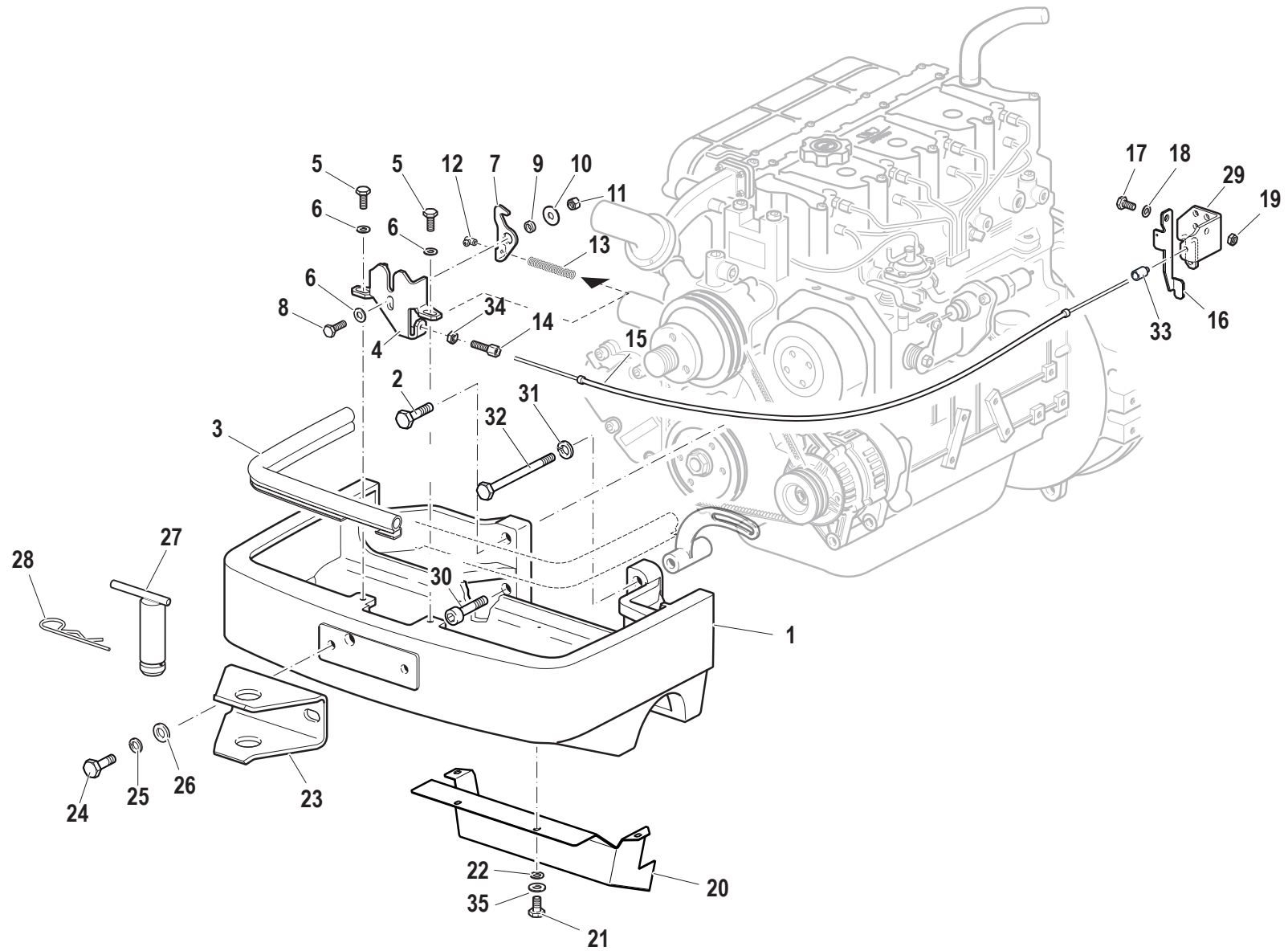
Pos.	Code	Q.ty	Description	Notes
32	F0864335020	1	SCREW M14X120 UNI 5737	

SERIAL  
END  
**916940**

**FRONT SUPPORT**

CODE REV  
**B.01.01.L70001\_0**

# FRONT SUPPORT



Pos.	Code	Q.ty	Description	Notes
17	31111151	1	SCREW TE M8X16 UNI 5739 8G	
2	31111331	1	SCREW TE M14X50 UNI5739 8G	
21	31112082	4	SCREW TE M6X12 UNI 5739 8G	
5	31112150	2	SCREW TE M8X20 UNI 5739 8G	
8	31112151	1	SCREW TE M8X25 UNI 5739 8G	
24	31112328	2	SCREW TE M14X35 UNI 5739	
34	31231080	1	NUT M8	
11	31241080	1	HEXAGON SELFLOCK NUT M8	
35	31411064	4	WASHER 6,4x12,5	
6	31411084	3	WASHER 8,4x17	
10	31411090	1	WASHER 9x24	
26	31411150	2	WASHER 15x28	
31	31421251	1	WASHER	
1	51176714	1	FRONT SUPPORT	
33	56170491	1	STOP	
4	56174657	1	FIXING BRACKET	
7	56174658	1	HOOD HOOK	
9	56174659	1	SPACER	
29	56174661	1	BRACKET	
23	56174873	1	TOW HOOK	
16	56177643	1	LEVER	
14	56177656	1	REGISTER	
12	58048002	1	CLAMPING SCREW	
15	58074831	1	CABLE	
3	58177274	1	HOOD SEAL	
27	59075283	1	PIN	
20	59076756	1	SHIELD	
19	F0814569000	1	NUT	
13	F0831065000	1	SPRING	
22	F0843570000	4	WASHER 6	
18	F0843643060	1	WASHER 8	
25	F0843921030	2	WASHER 14	
28	F0851497000	1	SPLIT PIN	
30	F0864290010	2	SCREW M14X50 UNI 5931	

SERIAL  
END

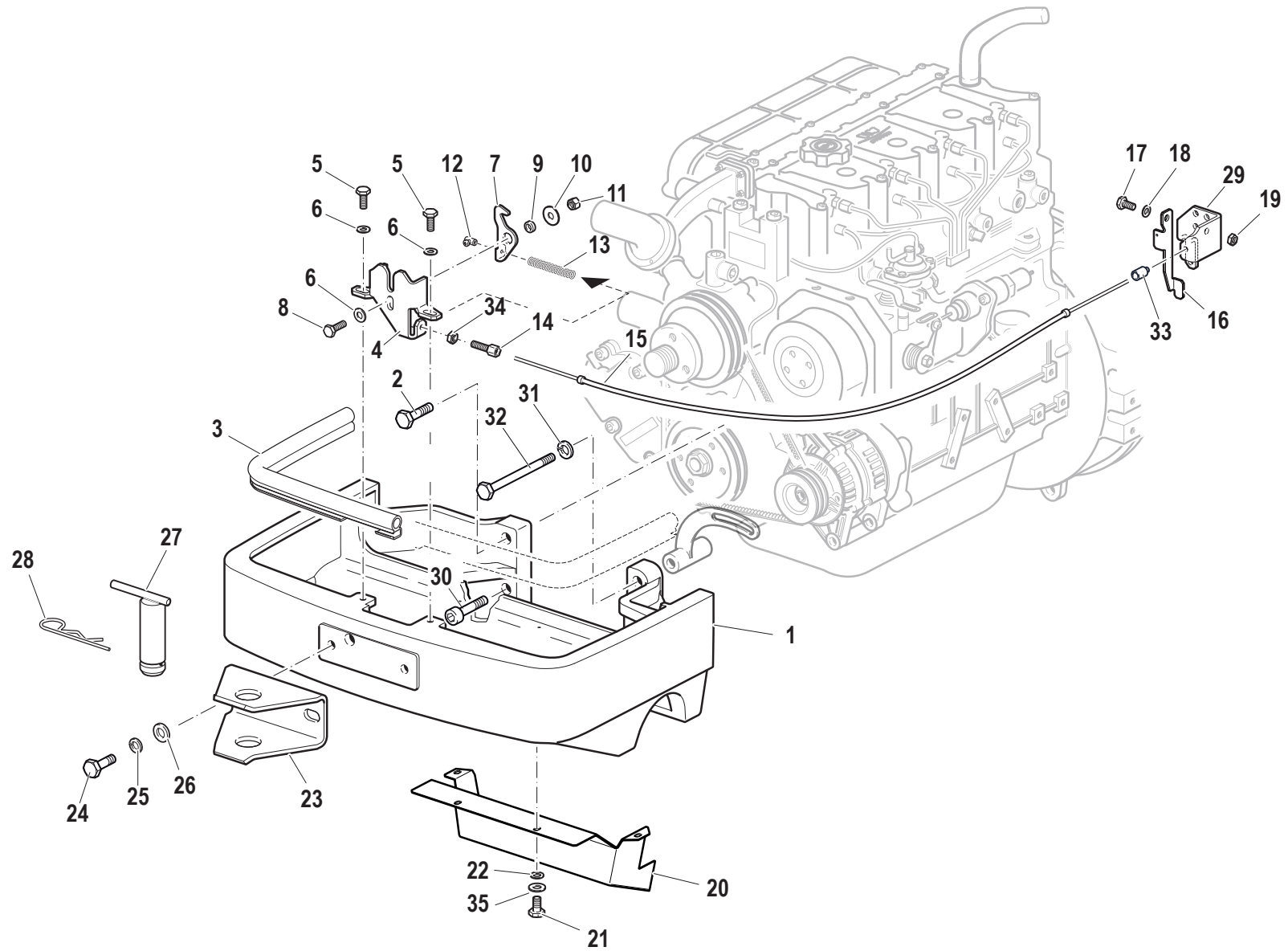
**916940**

**FRONT SUPPORT**

CODE REV

**B.01.01.L70001\_0**

# FRONT SUPPORT



Pos.	Code	Q.ty	Description	Notes
32	F0864335020	1	SCREW M14X120 UNI 5737	

SERIAL  
END

**916940**

**FRONT SUPPORT**

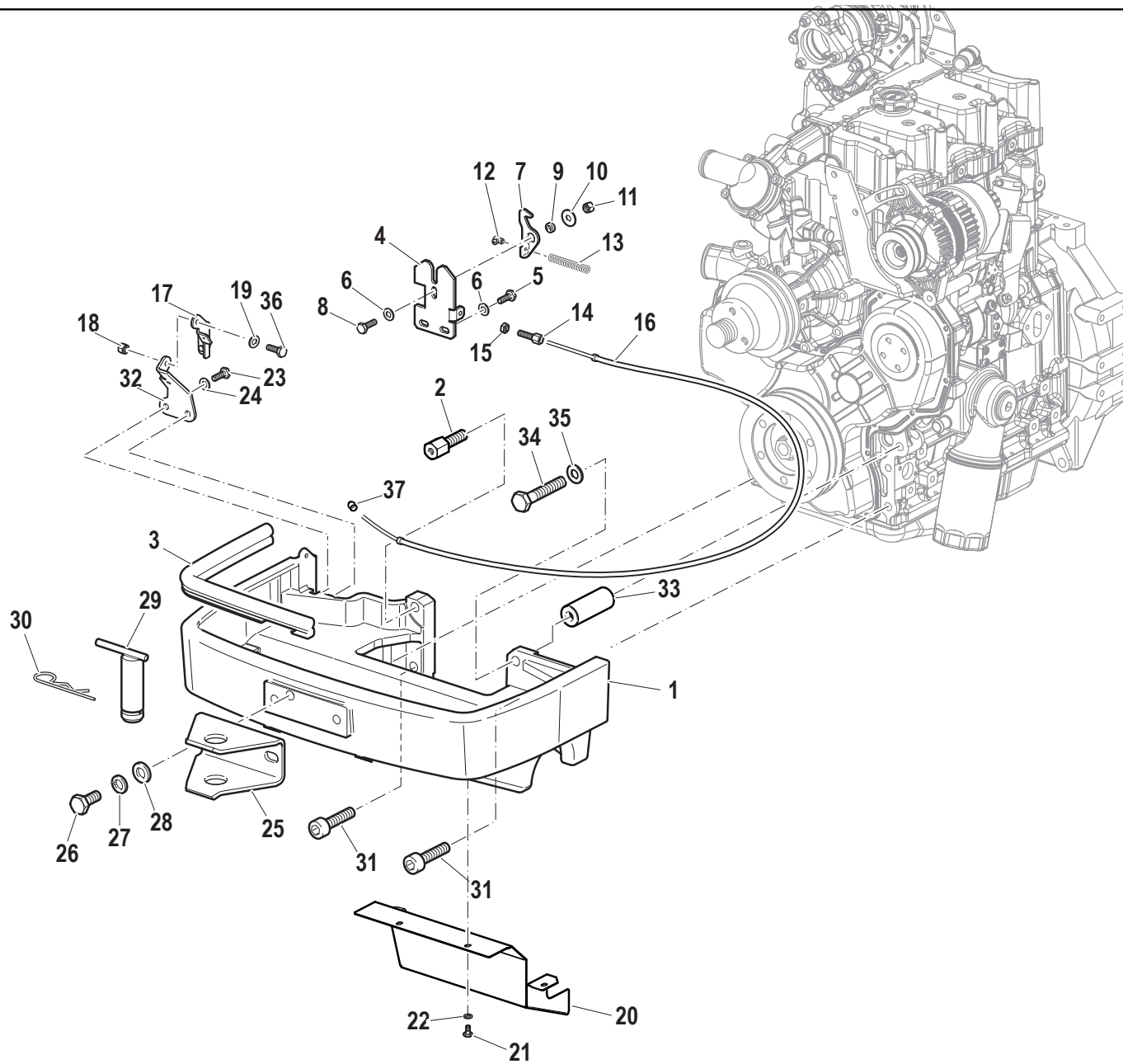
CODE REV

**B.01.01.L70001\_0**



# FRONT SUPPORT

SERIAL START 916941



Pos.	Code	Q.ty	Description	Notes
3	28177274	1	GASCKET RIF.182400153.945	
21	31112082	4	SCREW TE M6X12 UNI 5739 8G	
23	31112148	2	SCREW TE M8X18 UNI 5739 8G	
5	31112150	2	SCREW TE M8X20 UNI 5739 8G	
8	31112151	1	SCREW TE M8X25 UNI 5739 8G	
26	31112328	2	SCREW TE M14X35 UNI 5739	
15	31231080	1	NUT M8	
11	31241080	1	HEXAGON SELFLOCK NUT M8	
19	31411064	2	WASHER 6,4x12,5	
6	31411084	3	WASHER 8,4x17	
10	31411090	1	WASHER 9x24	
28	31411150	2	WASHER 15x28	
35	31421251	1	WASHER	
1	51179548	1	FRONT SUPPORT	
7	56174658	1	HOOD HOOK	
9	56174659	1	SPACER	
25	56174873	1	TOW HOOK	
14	56177656	1	REGISTER	
4	56179625	1	FIXING BRACKET	
33	561A0297	1	SPACER	
17	561A0642	1	LEVER	
32	561A0643	1	SUPPORT	
2	563A0264	1	SMALL COLUMN	
12	58048002	1	CLAMPING SCREW	
16	58074831	1	CABLE	
37	58177111	1	SLEEVE	
29	59075283	1	PIN	
20	59079617	1	COVER	
18	F0814547000	1	SELFLOCK NUT M6	
13	F0831065000	1	SPRING	
22	F0843570000	4	WASHER 6	
24	F0843643060	2	WASHER 8	
27	F0843921030	2	WASHER 14	
30	F0851497000	1	SPLIT PIN	

SERIAL  
START  
**916941**

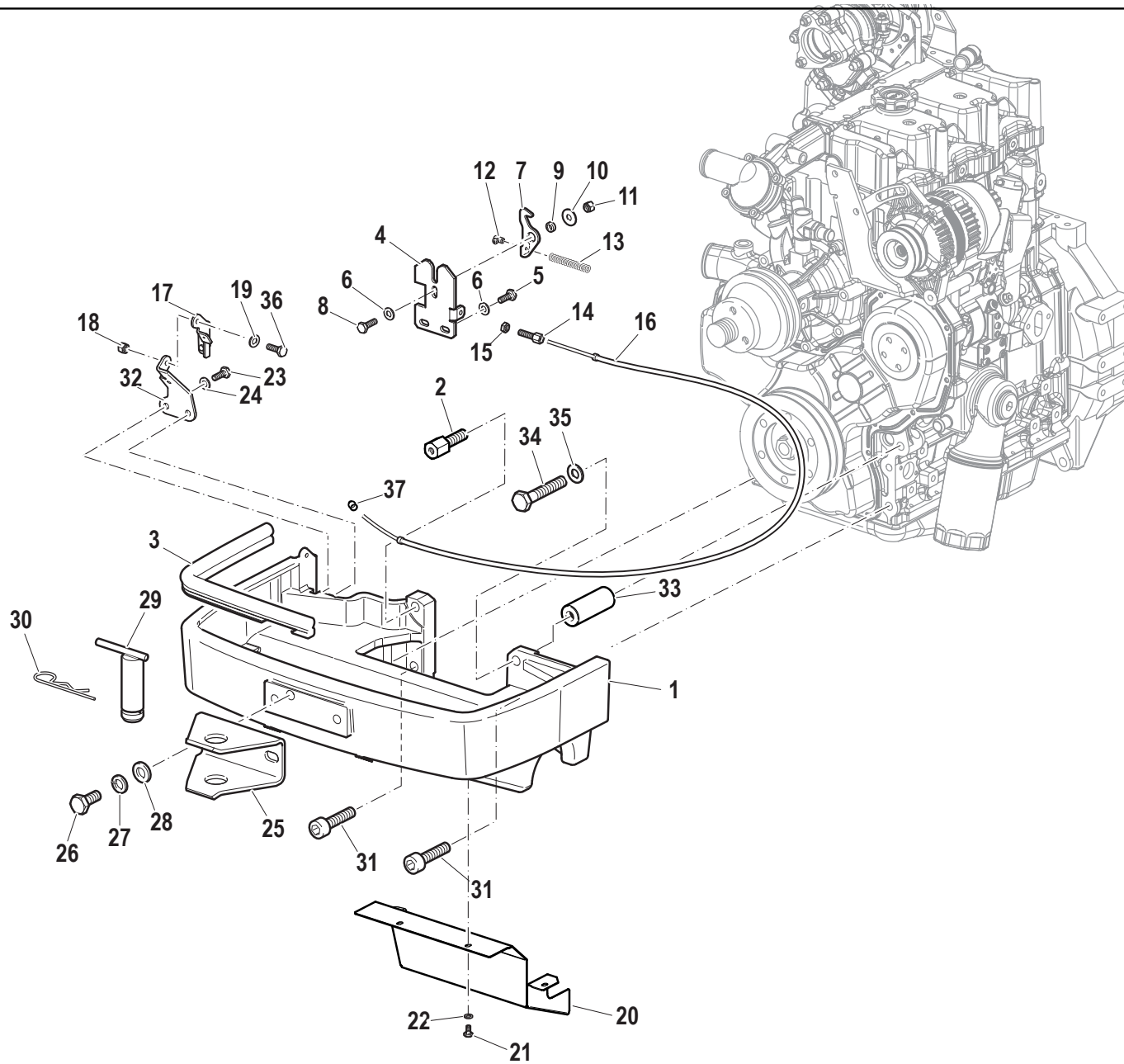
**FRONT SUPPORT**

CODE REV

**B.01.01.L70001\_1**

# FRONT SUPPORT

SERIAL START 916941



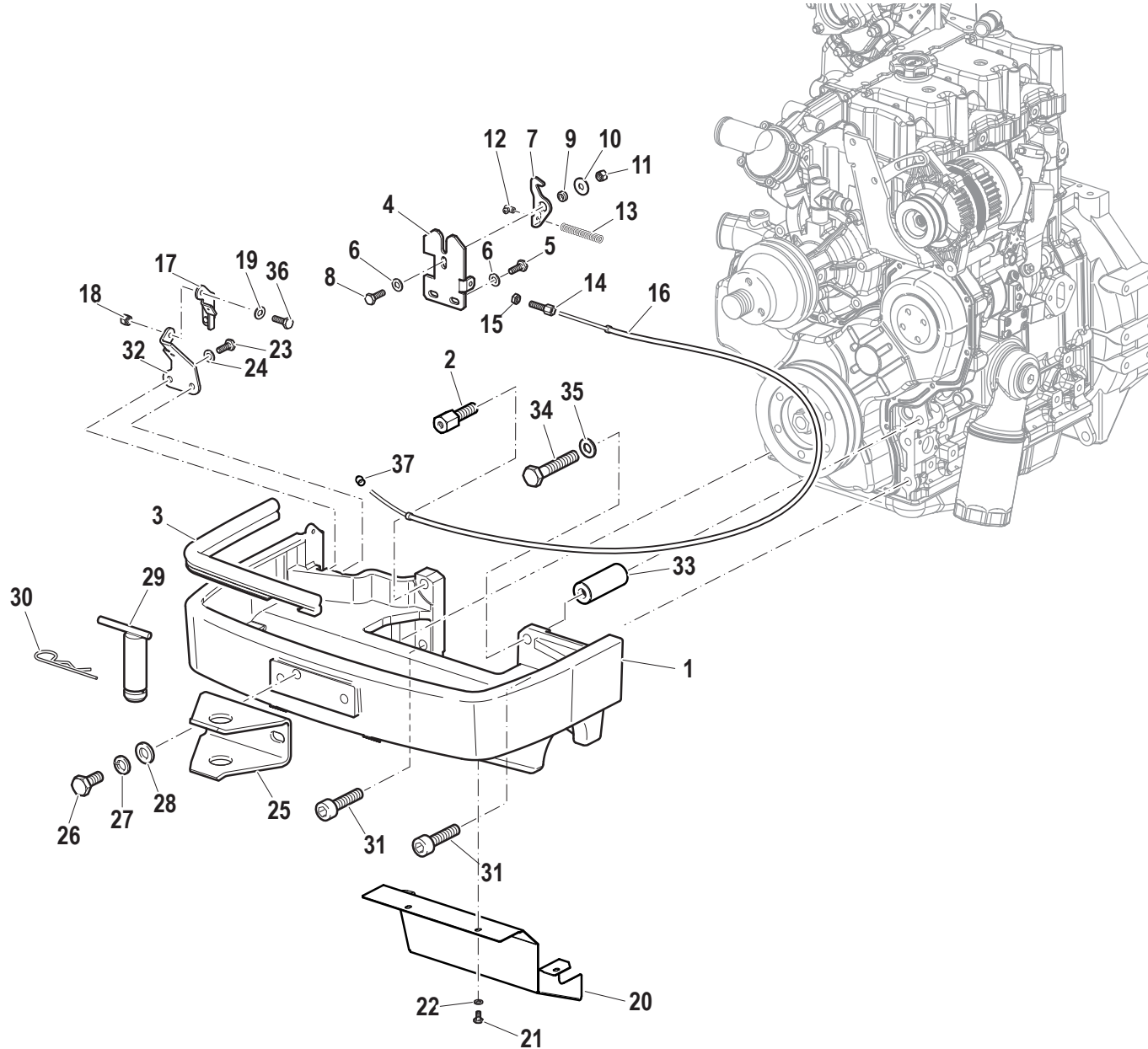
Pos.	Code	Q.ty	Description	Notes
36	F0862129000	1	SCREW M6X18 UNI 5739 8.8	
31	F0864290010	2	SCREW M14X50 UNI 5931	
34	F0864335020	1	SCREW M14X120 UNI 5737	

SERIAL  
START  
**916941**

**FRONT SUPPORT**

CODE REV  
**B.01.01.L70001\_1**

# FRONT SUPPORT



Pos.	Code	Q.ty	Description	Notes
3	28177274	1	GASCKET RIF.182400153.945	
21	31112082	4	SCREW TE M6X12 UNI 5739 8G	
23	31112148	2	SCREW TE M8X18 UNI 5739 8G	
5	31112150	2	SCREW TE M8X20 UNI 5739 8G	
8	31112151	1	SCREW TE M8X25 UNI 5739 8G	
26	31112328	2	SCREW TE M14X35 UNI 5739	
15	31231080	1	NUT M8	
11	31241080	1	HEXAGON SELFLOCK NUT M8	
19	31411064	2	WASHER 6,4x12,5	
6	31411084	3	WASHER 8,4x17	
10	31411090	1	WASHER 9x24	
28	31411150	2	WASHER 15x28	
35	31421251	1	WASHER	
1	51179548	1	FRONT SUPPORT	
7	56174658	1	HOOD HOOK	
9	56174659	1	SPACER	
25	56174873	1	TOW HOOK	
14	56177656	1	REGISTER	
4	56179625	1	FIXING BRACKET	
33	561A0297	1	SPACER	
17	561A0642	1	LEVER	
32	561A0643	1	SUPPORT	
2	563A0264	1	SMALL COLUMN	
12	58048002	1	CLAMPING SCREW	
16	58074831	1	CABLE	
37	58177111	1	SLEEVE	
29	59075283	1	PIN	
20	59079617	1	COVER	
18	F0814547000	1	SELFLOCK NUT M6	
13	F0831065000	1	SPRING	
22	F0843570000	4	WASHER 6	
24	F0843643060	2	WASHER 8	
27	F0843921030	2	WASHER 14	
30	F0851497000	1	SPLIT PIN	

SERIAL  
START  
**916941**

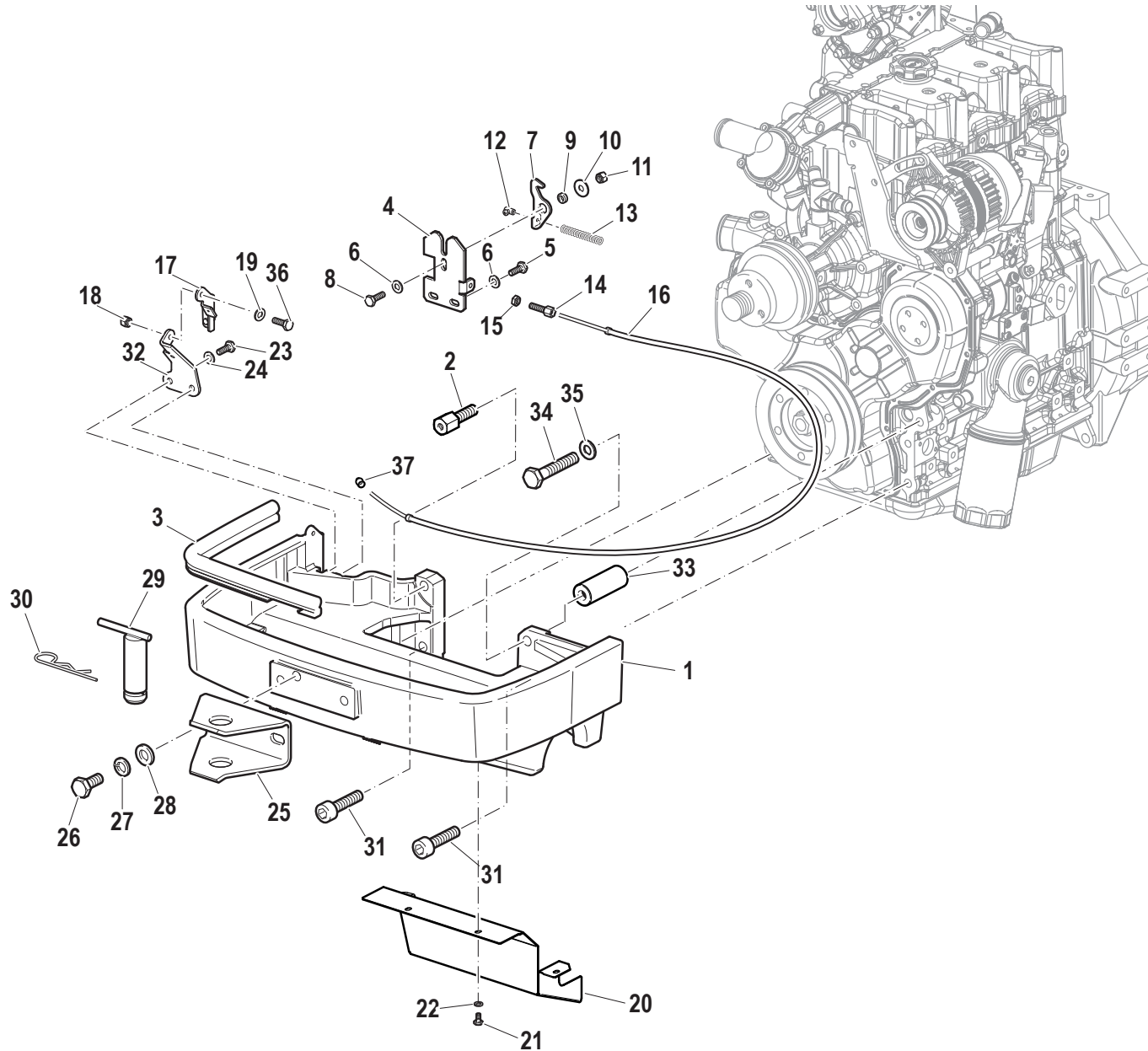
**FRONT SUPPORT**

CODE REV

**B.01.01.L70001\_1**

# FRONT SUPPORT

SERIAL START 916941



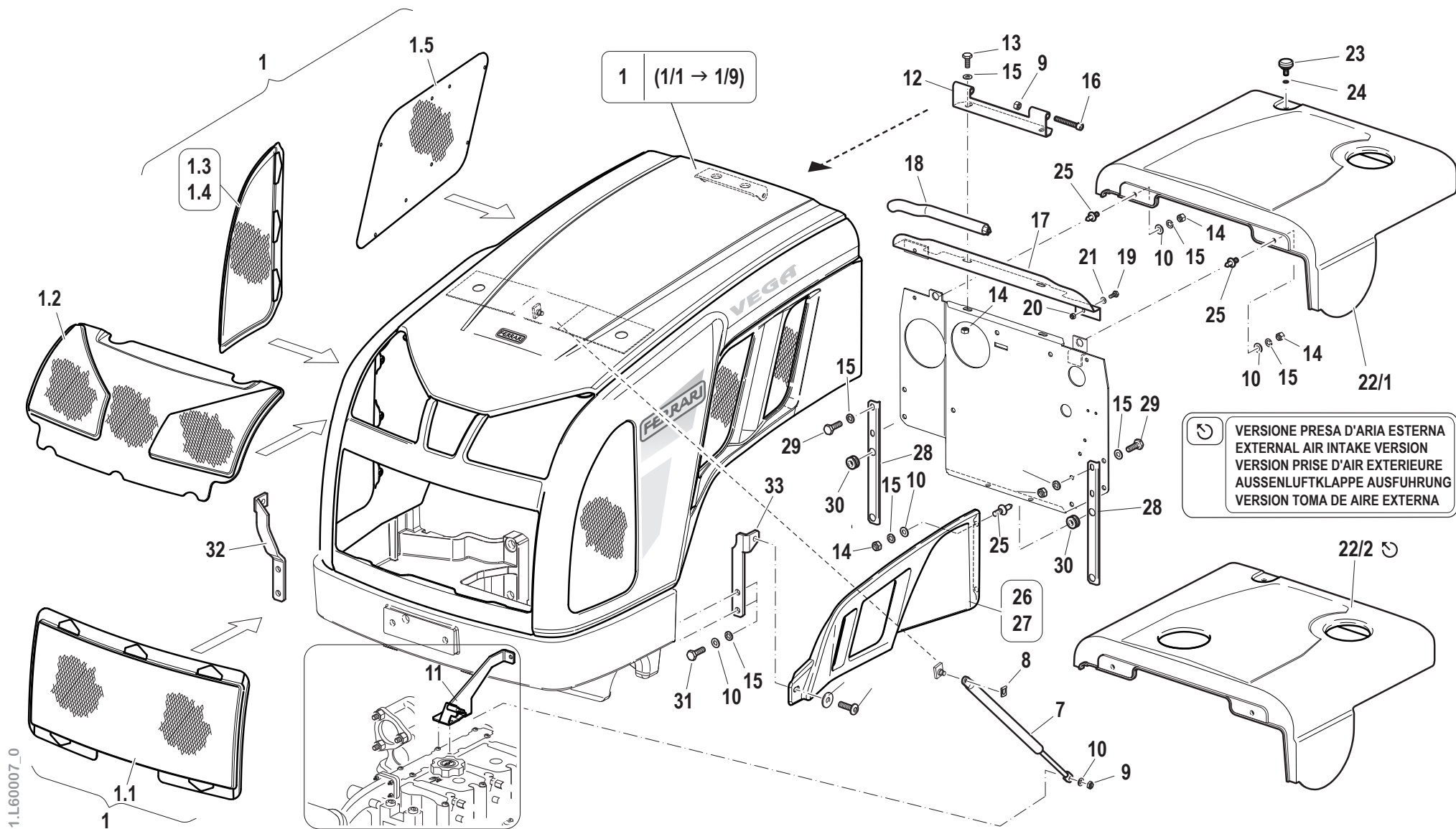
Pos.	Code	Q.ty	Description	Notes
36	F0862129000	1	SCREW M6X18 UNI 5739 8.8	
31	F0864290010	2	SCREW M14X50 UNI 5931	
34	F0864335020	1	SCREW M14X120 UNI 5737	

SERIAL  
START  
**916941**

**FRONT SUPPORT**

CODE REV  
**B.01.01.L70001\_1**





B.02.01.L60007\_0

Pos.	Code	Q.ty	Description	Notes
19	31111091	2	SCREW E M6X14 UNI 5739 8G	
31	31111151	2	SCREW TE M8X16 UNI 5739 8G	
29	31112149	4	SCREW TE M8X12 UNI 5739 8G	
13	31112150	2	SCREW TE M8X20 UNI 5739 8G	
16	31152088	2	SCREW TCEI M8X55 UNI 5931	
20	31211060	2	HEXAGONAL NUT M8	
14	31211080	6	NUT M8	
9	31241081	3	HEXAGON SELFLOCK NUT	
10	31411084	1	WASHER 8,4x17	
24	35211060	1	SEEGER RING	
1.1	56076927	1	FRONT GRILL	
1.3	56076928	1	FRONT GRILL	
1.4	56076929	1	FRONT GRILL	
1.5	56076930	5	GRILLE	
1.2	56076931	1	FRONT GRILL	
17	56174656	1	HOLDING	
23	56174835	1	KNOB	
32	56176692	1	BRACKET	
33	56176693	1	BRACKET	
28	56176895	2	BRACKET	
12	56179549	1	PROTECTIVE YOKE	
22/1	57376670	1	COVER	
22/2	57376899	1	COVER	
26	58076984V	1	FIANCHETTO DX VERDE 75-95 **	
27	58076987V	1	FIANCHETTO SX VERDE 75-95 **	
7	58092972	1	SPRING	
8	58170436	1	CLIP	
18	58177274	1	HOOD SEAL	
25	59074662	2	PIN	
11	59076686	1	BRACKET	
1/1	59900897	1	COMPLETE HOOD	
1/2	59900898	1	COMPLETE HOOD	
1/3	59900899	1	COMPLETE HOOD	
1/4	59900900	1	COMPLETE HOOD	

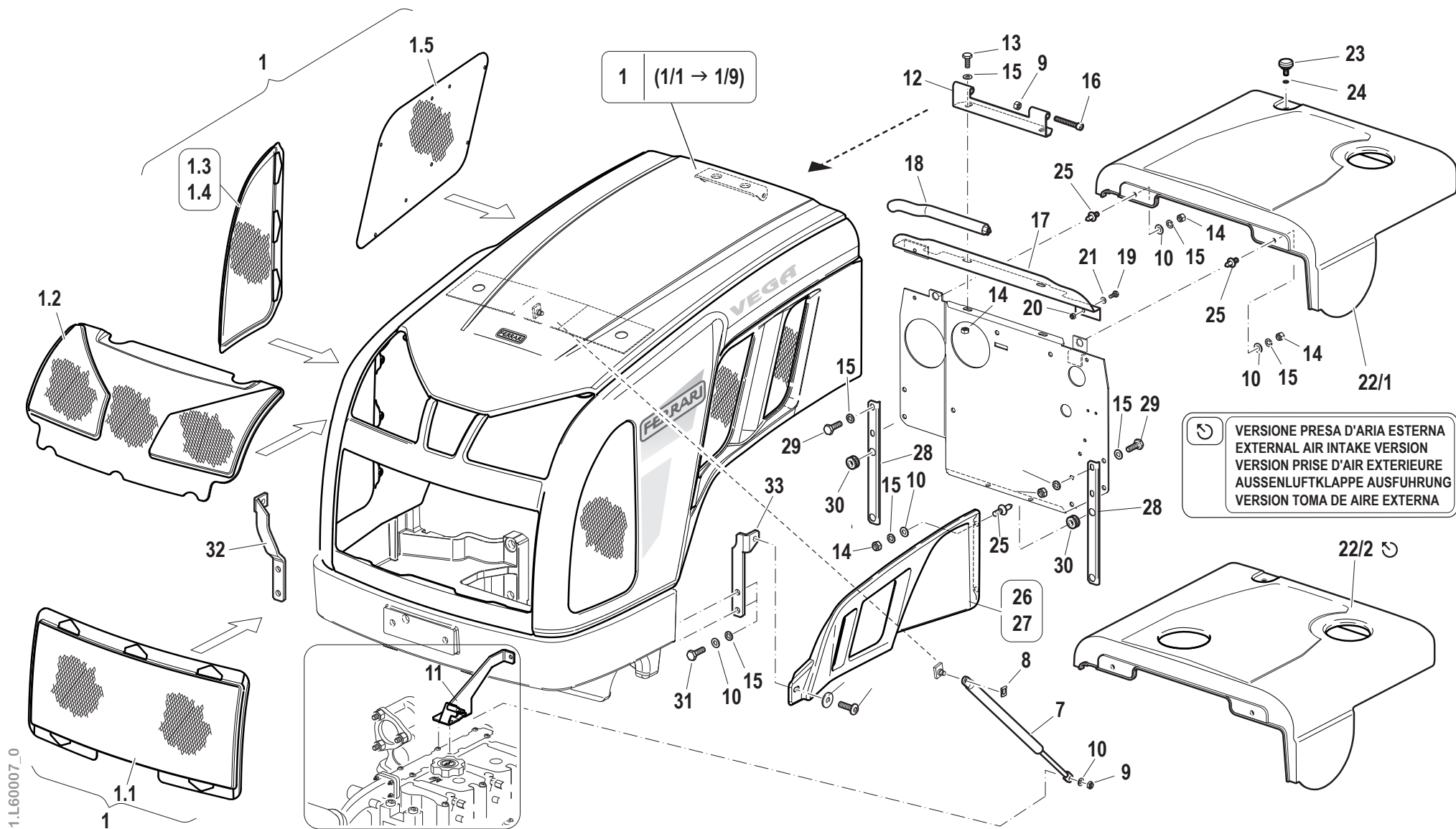
SERIAL  
END

**916940**

**BONNET**

CODE REV

**B.02.01.L70001\_0**



B.02.01.L60007\_0

Pos.	Code	Q.ty	Description	Notes
1/5	59900901	1	COMPLETE HOOD	
1/6	59900902	1	COMPLETE HOOD	
1/7	59900903	1	COMPLETE HOOD	
1/8	59900904	1	COMPLETE HOOD	
1/9	59900905	1	COMPLETE HOOD	
30	F0825414000	2	CABLE GLAND 7-15-18,5-2,5	
21	F0843570000	2	WASHER 6	
15	F0843643060	6	WASHER 8	

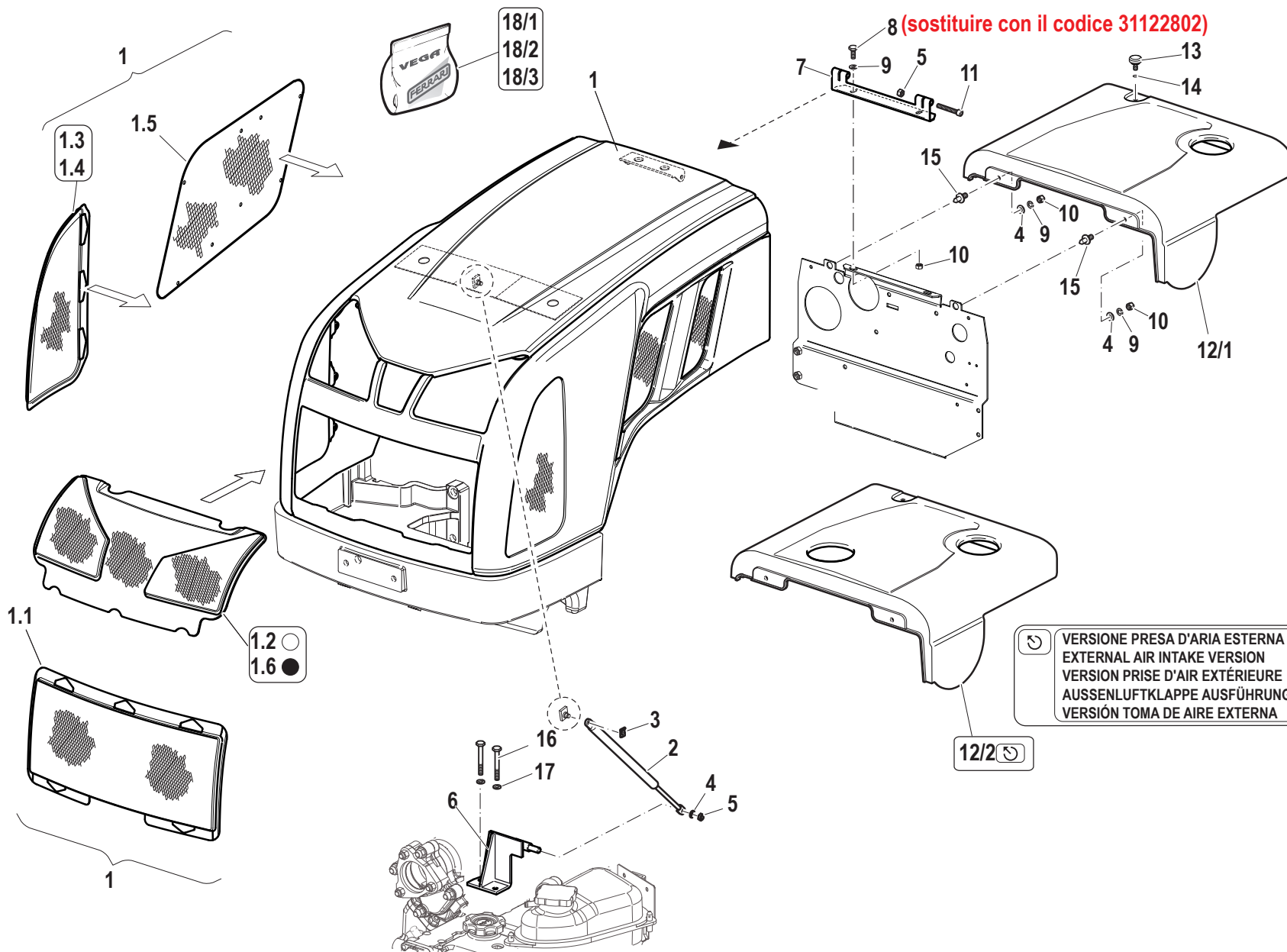
SERIAL  
END

916940

BONNET

CODE REV

B.02.01.L70001\_0



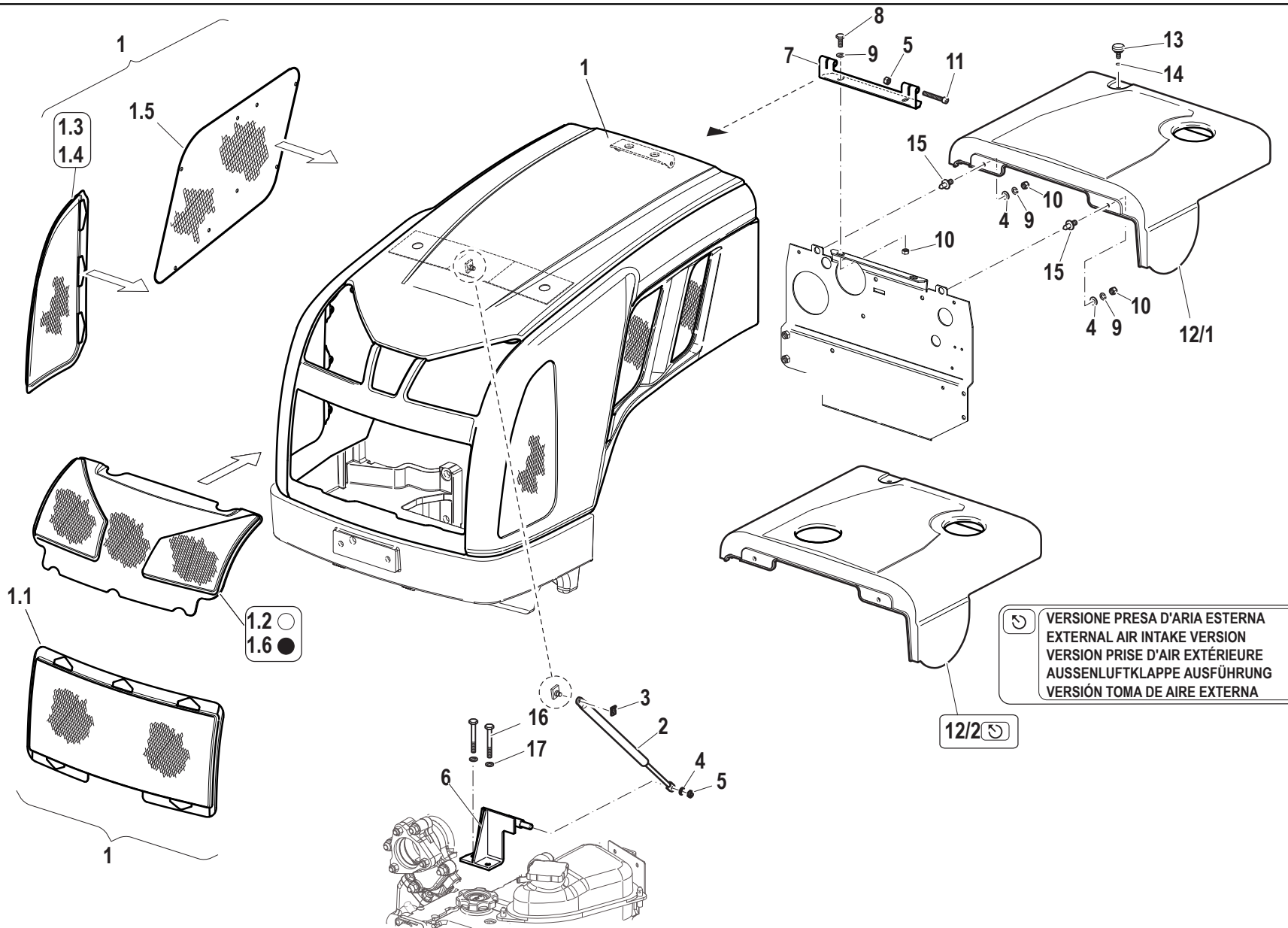
Pos.	Code	Q.ty	Description	Notes
16	31112096	2	SCREW TE M6X85 UNI 5737 8G	
8	31122802	2	SCREW TTQ M8X20 UNI 5731	
11	31152088	2	SCREW TCEI M8X55 UNI 5931	
10	31211080	6	NUT M8	
5	31241081	3	HEXAGON SELFLOCK NUT	
4	31411084	13	WASHER 8,4x17	
14	35211060	1	SEEGER RING	
1,1	56076927N	1	GRIGL.FRON. VEGA/VOLCAN (NERA)	
1,3	56076928N	1	SIDE GRILL	
1,4	56076929N	1	SIDE GRILL	
1,5	56076930N	1	GRIG.PIANA SX-DX 75-95(NERA)	
1,2	56076931H	1	GRIGL.FRONT.SUP. VEGA (GRIGIA)	
1,6	56076931N	1	GRIGLIA FRONT.SUP. VEGA (NERA)	
13	56174835	1	KNOB	
7	56179616	1	PROTECTIVE YOKE	
12/02	57376899	1	COVER	
12/01	573A0394	1	COVER	
3	58170436	1	CLIP	
2	581A0376	1	GAS SPRING	
15	59074662	6	PIN	
6	590A0686	1	BRACKET	
1	590A0725	1	BONNET	
17	F0843570000	2	WASHER 6	
9	F0843643060	6	WASHER 8	

SERIAL  
START  
**916941**

**BONNET**

CODE REV

**B.02.01.L70001\_1**



Pos.	Code	Q.ty	Description	Notes
16	31112096	2	SCREW TE M6X85 UNI 5737 8G	
8	31122802	2	SCREW TTQ M8X20 UNI 5731	
11	31152088	2	SCREW TCEI M8X55 UNI 5931	
10	31211080	6	NUT M8	
5	31241081	3	HEXAGON SELFLOCK NUT	
4	31411084	13	WASHER 8,4x17	
14	35211060	1	SEEGER RING	
1,1	56076927N	1	GRIGL.FRON. VEGA/VOLCAN (NERA)	
1,3	56076928N	1	SIDE GRILL	
1,4	56076929N	1	SIDE GRILL	
1,5	56076930N	1	GRIG.PIANA SX-DX 75-95(NERA)	
1,2	56076931H	1	GRIGL.FRONT.SUP. VEGA (GRIGIA)	
1,6	56076931N	1	GRIGLIA FRONT.SUP. VEGA (NERA)	
13	56174835	1	KNOB	
7	56179616	1	PROTECTIVE YOKE	
12/02	57376899	1	COVER	
12/01	573A0394	1	COVER	
3	58170436	1	CLIP	
2	581A0376	1	GAS SPRING	
15	59074662	6	PIN	
6	590A0686	1	BRACKET	
1	590A0725	1	BONNET	
17	F0843570000	2	WASHER 6	
9	F0843643060	6	WASHER 8	

SERIAL  
START  
**916941**

**BONNET**

CODE REV

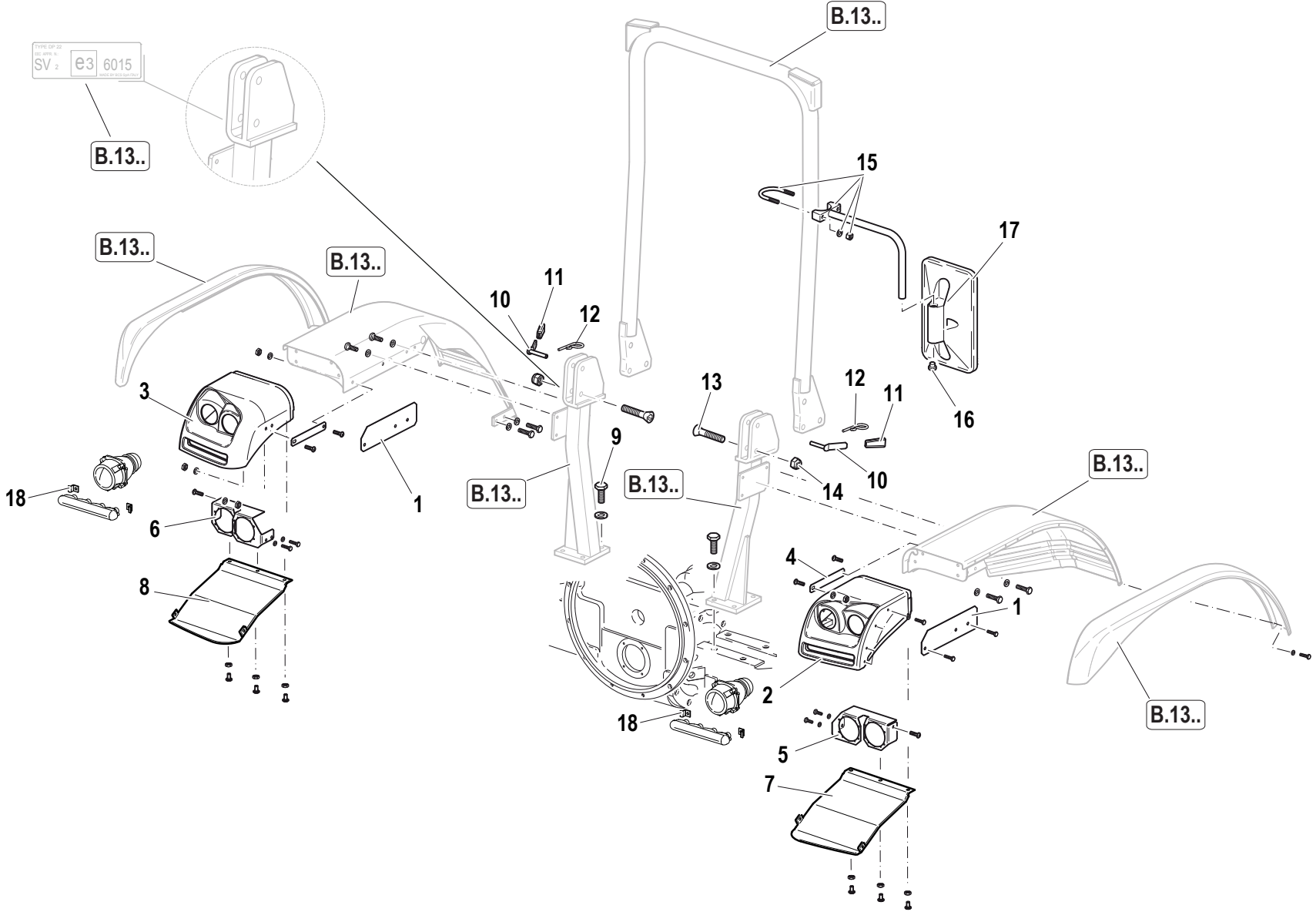
**B.02.01.L70001\_1**



# FRONT MODGUARDS

SERIAL END 916940

**B.03.01.L70001\_0**



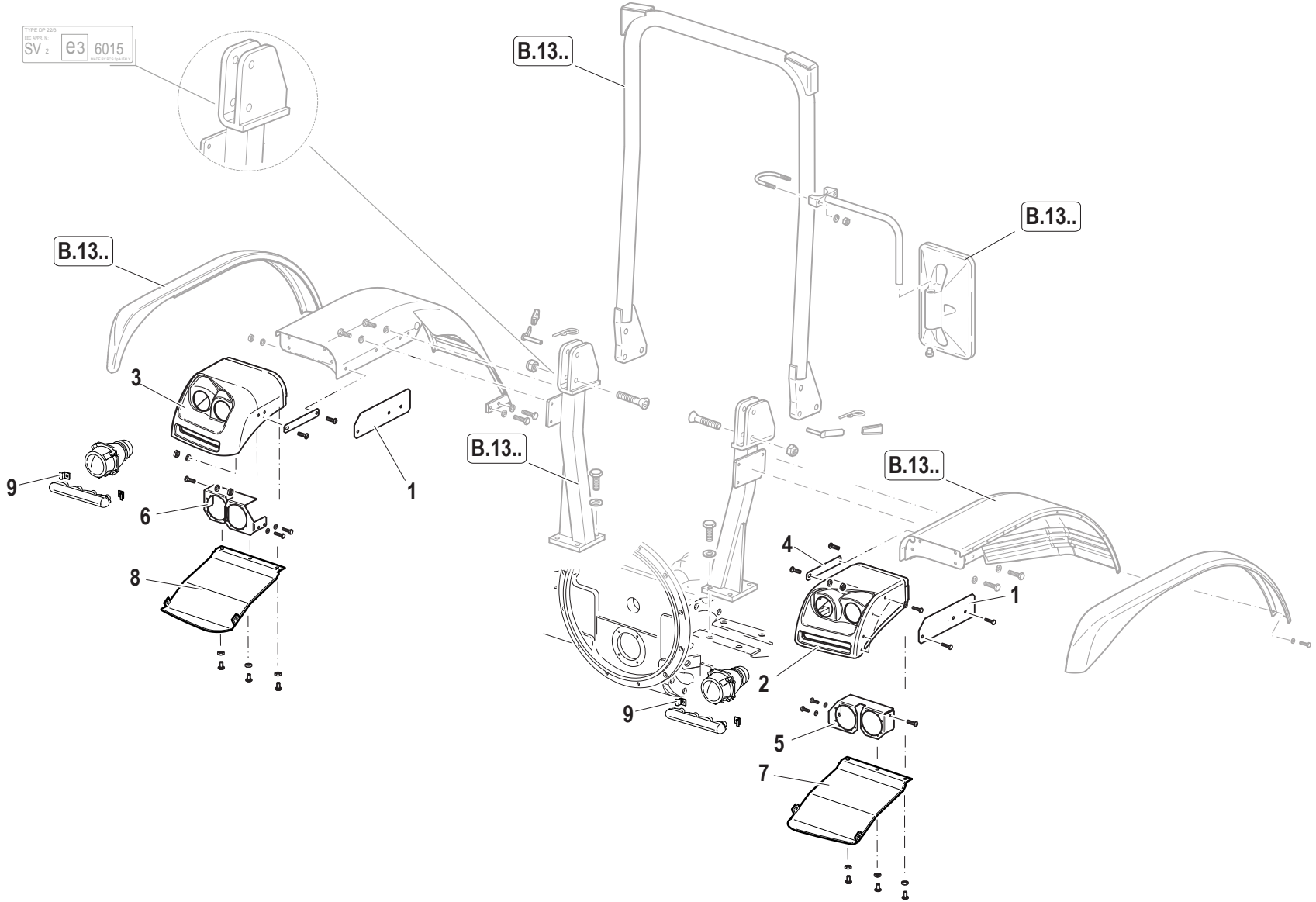
Pos.	Code	Q.ty	Description	Notes
5	56176896	1	SUPPORT	
6	56176897	1	SUPPORT	
8	56176905	1	COVER	
7	56176906	1	COVER	
9	56177045	4	RETAINER	
4	56177326	2	RETAINER	
1	56177889	2	GUARD	
2	57376621	1	SUPPORT	
3	57376622	1	SUPPORT	

SERIAL  
END  
**916940**

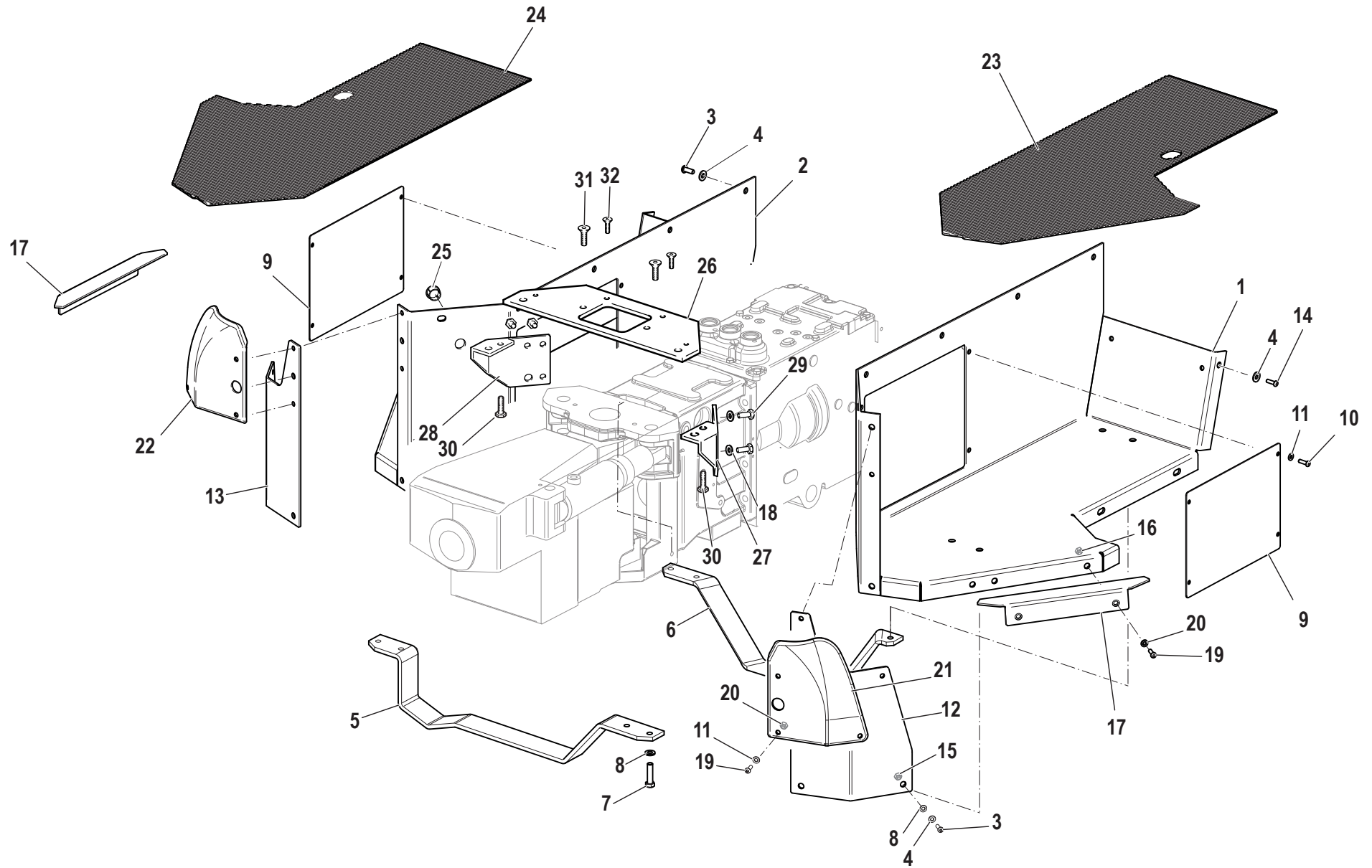
**FRONT MODGUARDS**

CODE REV  
**B.03.01.L70001\_0**

# FRONT MODGUARDS



Pos.	Code	Q.ty	Description	Notes
5	56176896	1	SUPPORT	
6	56176897	1	SUPPORT	
8	56176905	1	COVER	
7	56176906	1	COVER	
9	56177045	4	RETAINER	
4	56177326	2	RETAINER	
1	56177889	2	GUARD	
2	57376621	1	SUPPORT	
3	57376622	1	SUPPORT	



Pos.	Code	Q.ty	Description	Notes
7	31112151	8	SCREW TE M8X25 UNI 5739 8G	
32	31112207	2	SCREW TE M10X14 UNI 5739	
29	31112229	5	SCREW M10x22 UNI 5739	
31	31132566	2	SCREW TSVEI M8X20 UNI 5933	
16	31211060	4	HEXAGONAL NUT M8	
15	31211080	6	NUT M8	
11	31411064	8	WASHER 6,4x12,5	
4	31411084	16	WASHER 8,4x17	
9	56176589	2	COVER	
6	56177247	1	CROSS MEMBER	
12	56177878	1	FOOTBOARD PROTECTION	
13	56177882	1	FOOTBOARD PROTECTION	
26	56178835	1	RETAINING PLATE	
17	57278901	2	ANGULAR	
21	57377885	1	EXTENSION	
22	57377886	1	EXTENSION	
23	57378899	1	FOOTREST COVER	
24	57378900	1	FOOTREST COVER	
25	58170984	1	PLASTIC PLUG	
5	59077246	1	CROSS MEMBER	
1	59078746	1	LEFT FOOTBOARD	
2	59078750	1	RIGHT FOOTBOARD	
27	59078836	1	BRACE	
28	59078837	1	BRACE	
20	F0843570000	4	WASHER 6	
8	F0843643060	14	WASHER 8	
18	F0843755000	3	WASHER 10	
3	F0862479020	16	SCREW M8X16 7380	
14	F0862479032	2	SCREW M8X25 7380	
10	F0862479034	8	SCREW M6X12 7380	
19	F0862479035	4	SCREW	
30	F0863208050	2	SCREW M10X20 UNI 5933	

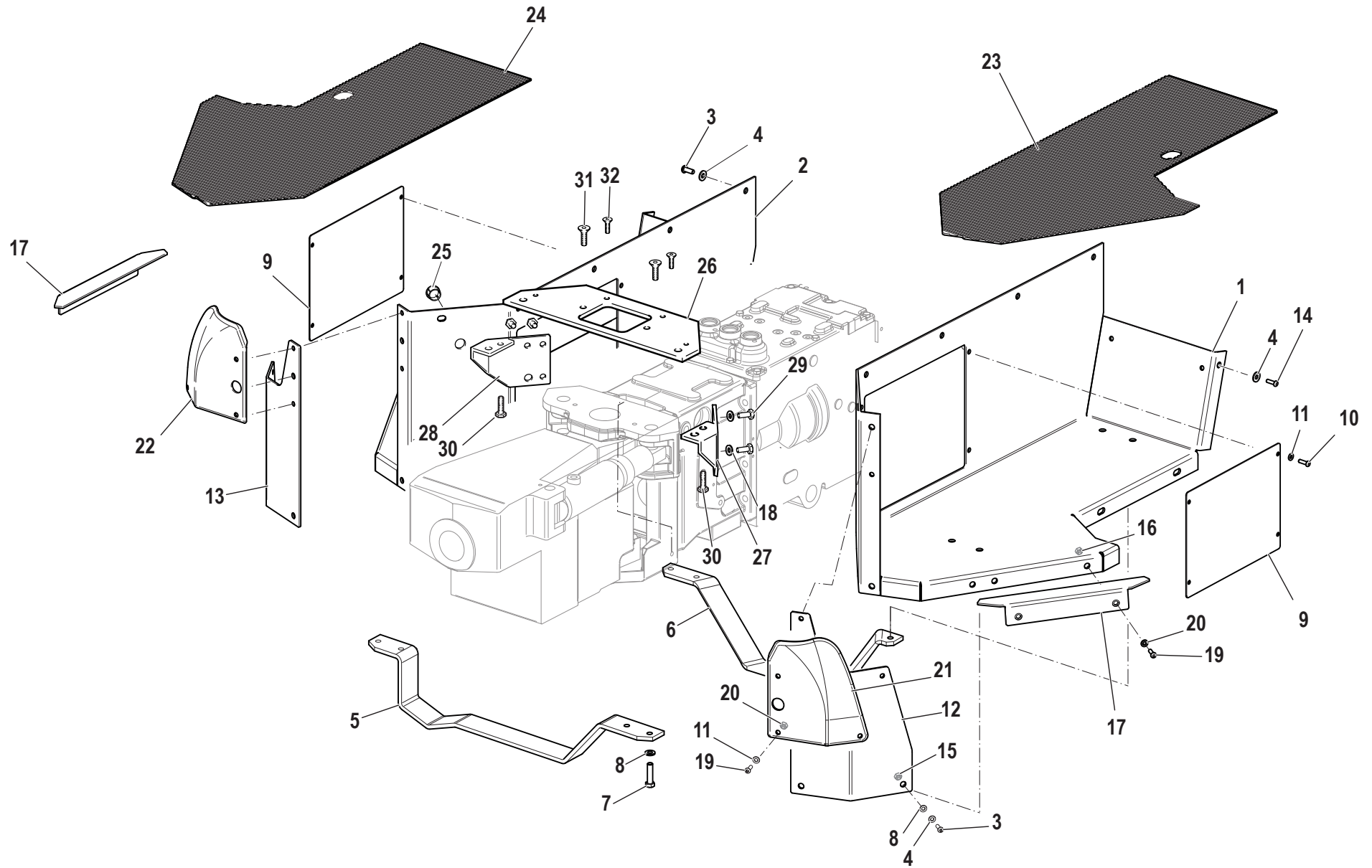
SERIAL  
END

916940

## BOARDS

CODE REV

B.04.01.L70001\_0



Pos.	Code	Q.ty	Description	Notes
7	31112151	8	SCREW TE M8X25 UNI 5739 8G	
32	31112207	2	SCREW TE M10X14 UNI 5739	
29	31112229	5	SCREW M10x22 UNI 5739	
19	31121006	4	SCREW TBCEI M6X16 ISO 7380	
31	31132566	2	SCREW TSVEI M8X20 UNI 5933	
16	31211060	4	HEXAGONAL NUT M8	
15	31211080	6	NUT M8	
11	31411064	8	WASHER 6,4x12,5	
4	31411084	16	WASHER 8,4x17	
9	56176475V	2	COVER	
6	56177247	1	CROSS MEMBER	
12	56177877V	1	FOOTBOARD PROTECTION	
13	56177881V	1	FOOTBOARD PROTECTION	
26	56178835	1	RETAINING PLATE	
17	57278901	2	ANGULAR	
21	57377885	1	EXTENSION	
22	57377886	1	EXTENSION	
23	57378899	1	FOOTREST COVER	
24	57378900	1	FOOTREST COVER	
25	58170984	1	PLASTIC PLUG	
5	59077246	1	CROSS MEMBER	
27	59078836	1	BRACE	
28	59078837	1	BRACE	
1	59079967V	1	LEFT FOOTBOARD	
2	59079968V	1	RIGHT FOOTBOARD	
20	F0843570000	4	WASHER 6	
8	F0843643060	14	WASHER 8	
18	F0843755000	3	WASHER 10	
3	F0862479020	16	SCREW M8X16 7380	
14	F0862479032	2	SCREW M8X25 7380	
10	F0862479034	8	SCREW M6X12 7380	
30	F0863208050	2	SCREW M10X20 UNI 5933	

SERIAL  
START  
**916941**

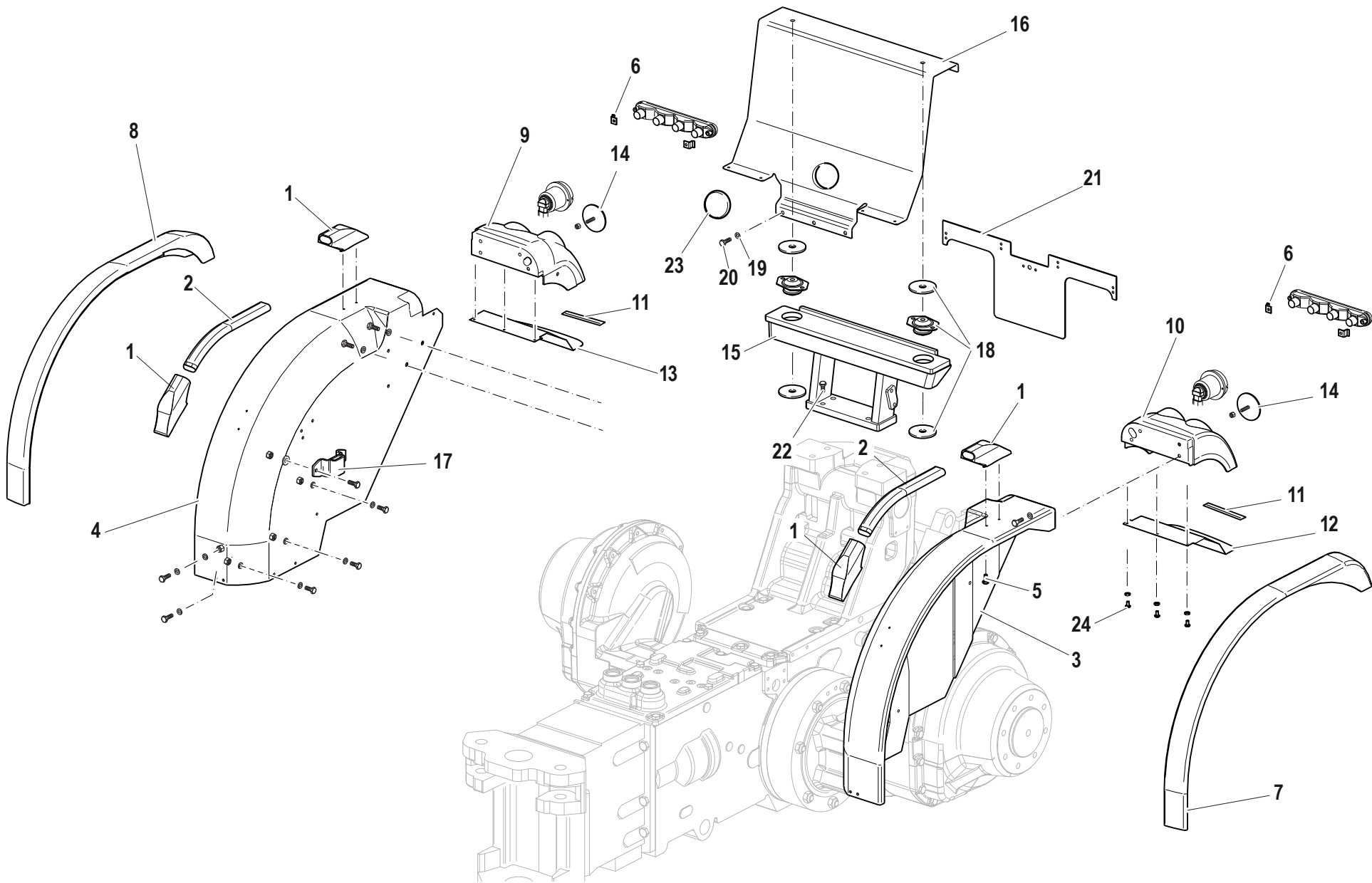
**BOARDS**

CODE REV

**B.04.01.L70001\_1**



# REAR MODGUARDS



Pos.	Code	Q.ty	Description	Notes
20	31112210	3	SCREW TE M10X20 UNI 5739	
1	55072935	4	SUPPORT	
13	56176907	1	COVER	
12	56176908	1	COVER	
6	56177045	4	RETAINER	
2	56178633	2	MUDGUARD HANDLE	
9	57376623	1	SUPPORT	
10	57376624	1	SUPPORT	
8	57378964	1	WING EXTENSION	
7	57378965	1	WING EXTENSION	
18	58176233	2	SILENT-BLOCK	
14	58177330	2	REFLECTOR	
23	58178715	1	PASSING	
5	58178772	8	SPECIAL NUT	
17	59070592	1	LEVER BEARING	
16	59078686	1	CROSS MEMBER	
21	59078693	1	PLATE	
15	59078706	1	SUPPORT	
4	59278927	1	RIGHT REAR FENDER	
3	59278930	1	LEFT REAR FENDER	
11	F0256910010	1	CELL FOAM PROFILE 10X15	
19	F0843755000	3	WASHER 10	
22	F0864222010	4	SCREW M14X1,5/40 5738	

SERIAL  
END

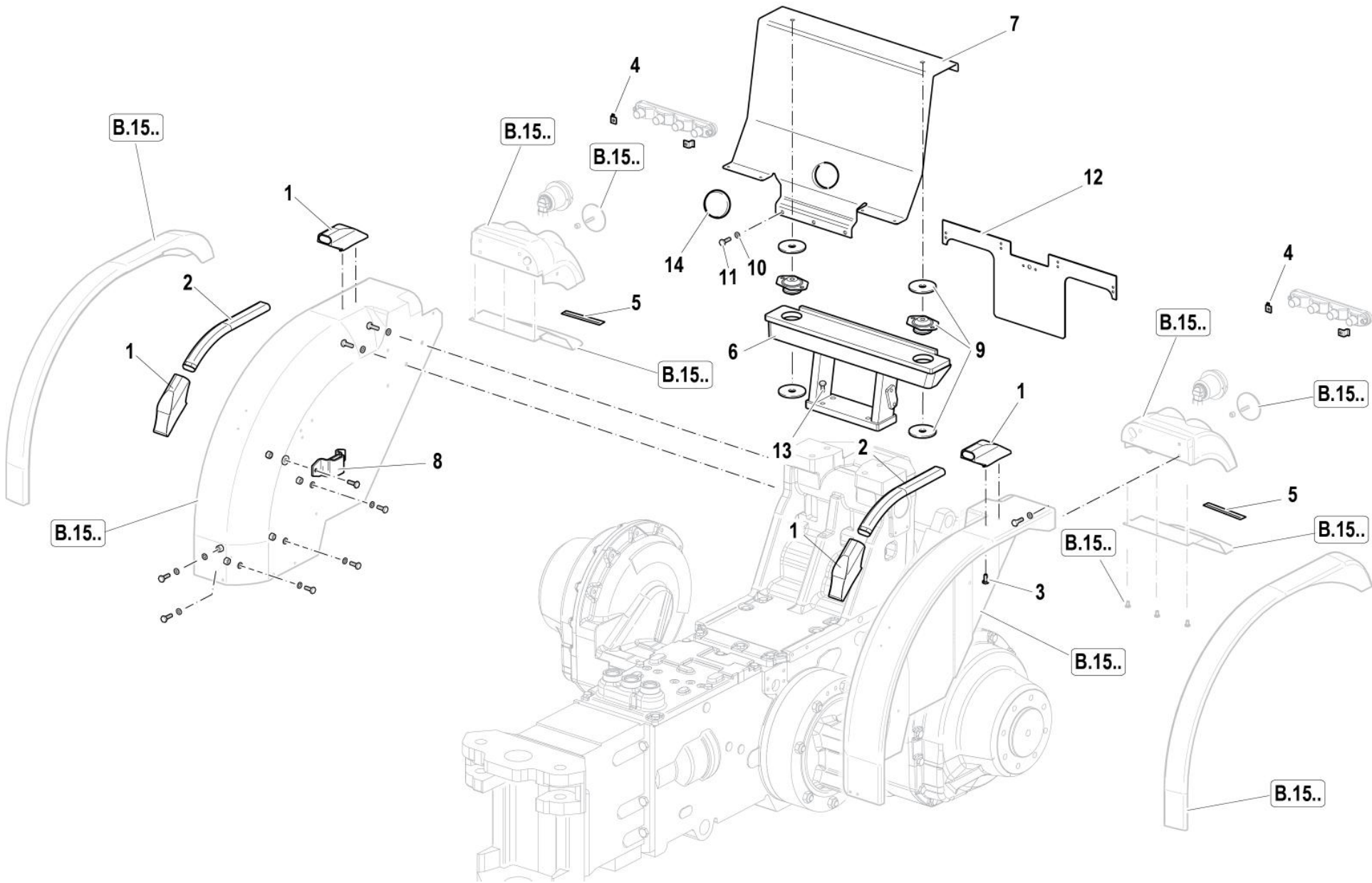
916940

REAR MODGUARDS

CODE REV

B.05.01.L70001\_0

# REAR MODGUARDS



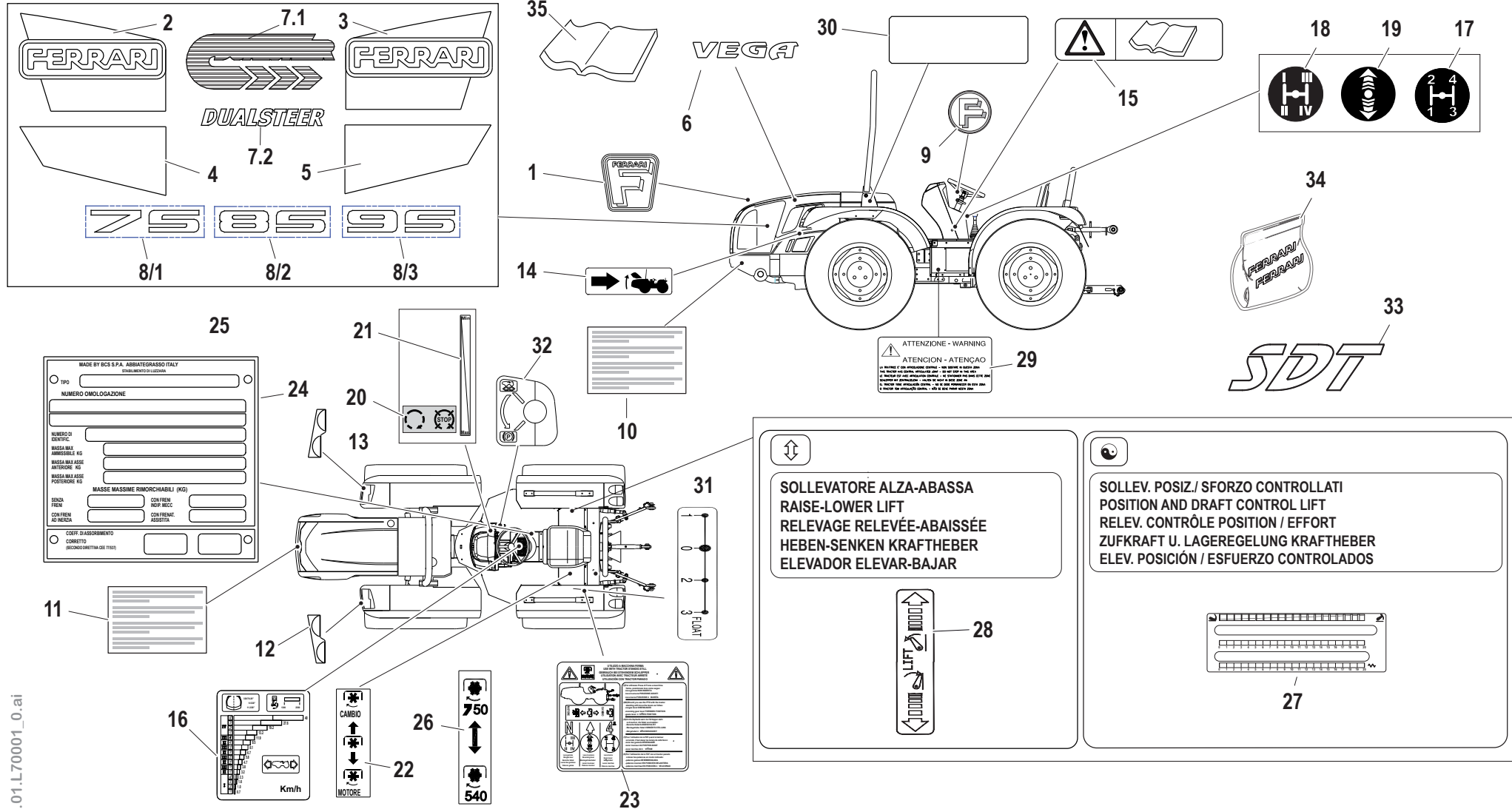
Pos.	Code	Q.ty	Description	Notes
11	31112210	3	SCREW TE M10X20 UNI 5739	
1	55072935	4	SUPPORT	
4	56177045	4	RETAINER	
2	56178633	2	MUDGUARD HANDLE	
9	58176233	2	SILENT-BLOCK	
14	58178715	1	PASSING	
3	58179265	8	SPECIAL NUT	
8	59070592	1	LEVER BEARING	
6	59078706	1	SUPPORT	
7	590A0467V	1	TRAV.POST.PIATT(A0467)VERDE	
12	590A0468V	1	FASTENER	
5	F0256910010	1	CELL FOAM PROFILE 10X15	
10	F0843755000	3	WASHER 10	
13	F0864222010	4	SCREW M14X1,5/40 5738	

SERIAL  
START  
**916941**

**REAR MODGUARDS**

CODE REV

**B.05.01.L70001\_1**



Pos.	Code	Q.ty	Description	Notes
20	58072511	1	INSTRUCTION PLATE	
26/01	58072518	1	PLATE	
22	58072575	1	PLATE	
24	58072737	1	PLATE	
29	58073156	2	PLATE	
19	58074220	1	DECAL	
18	58074221	1	DECAL	
17	58074222	1	DECAL	
9	58074777	1	DECAL	
14	58074841	1	DECAL	
15	58074880	1	PLATE	
23	58076077	1	DECAL	
1	58077000	1	DECAL	
16	58077046	1	DECAL	
21	58077047	1	DECAL	
32	58077048	1	DECAL	
28	58077051	1	PLATE	
31	58077054	1	PLATE	
6	58077144	2	DECAL	
4	58077191	1	DECAL	
5	58077192	1	DECAL	
2	58077195	1	DECAL	
3	58077196	1	DECAL	
12	58077421	1	DECAL	
13	58077422	1	DECAL	
7,1	58077961	2	DECAL	
7,2	58077962	2	DECAL	
8/01	58077972	2	DECAL	
8/02	58077973	2	DECAL	
8/03	58077974	2	DECAL	
27	58079151	1	DECAL	
30/02	58079513	1	PLATE	
30/01	58079514	1	TARGH.OMOLOG.ARCO PROT.75-95DS	
30/03	58079517	1	PLATE	

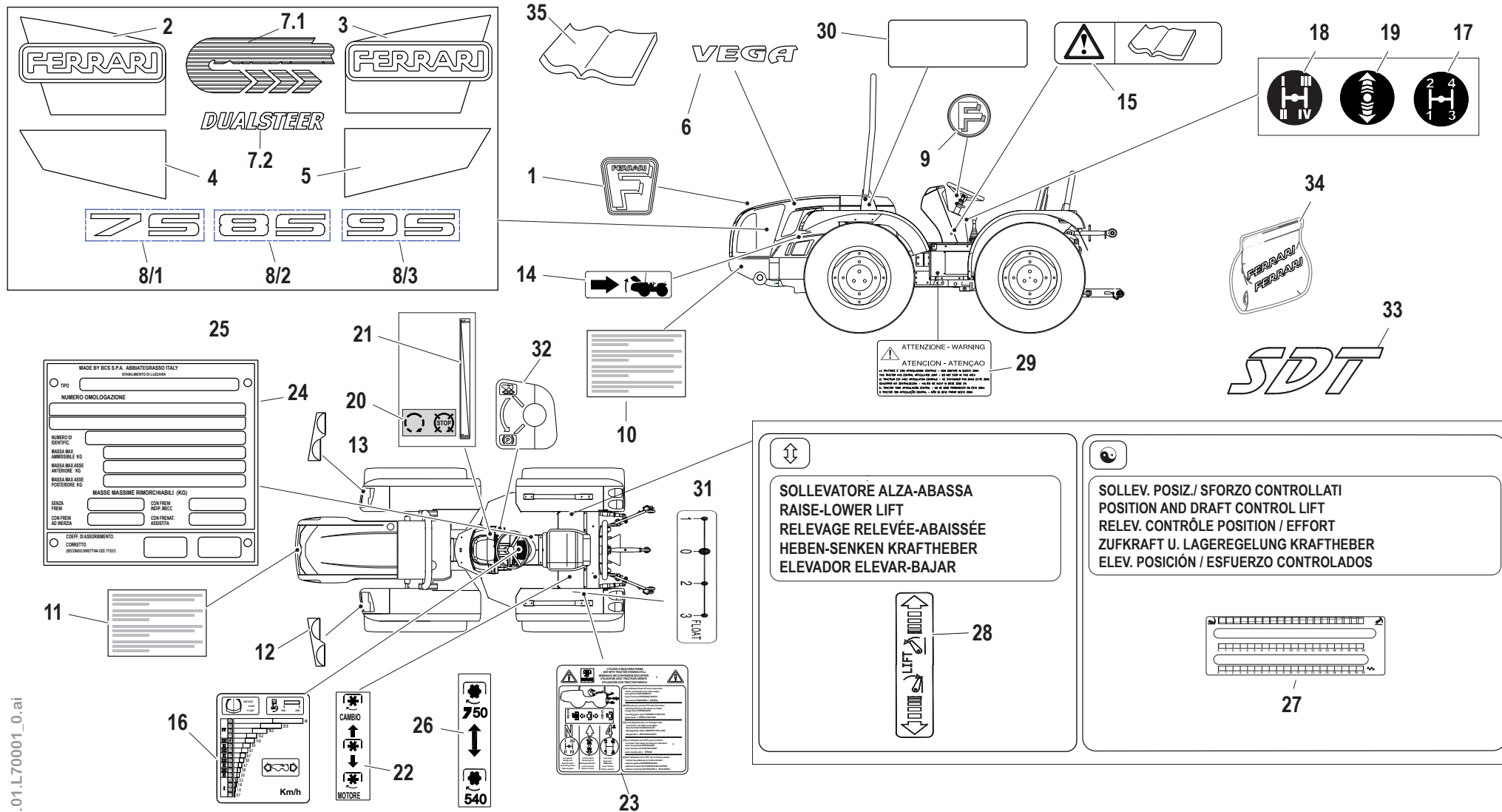
SERIAL  
END

**916940**

**PLATES AND STICKERS**

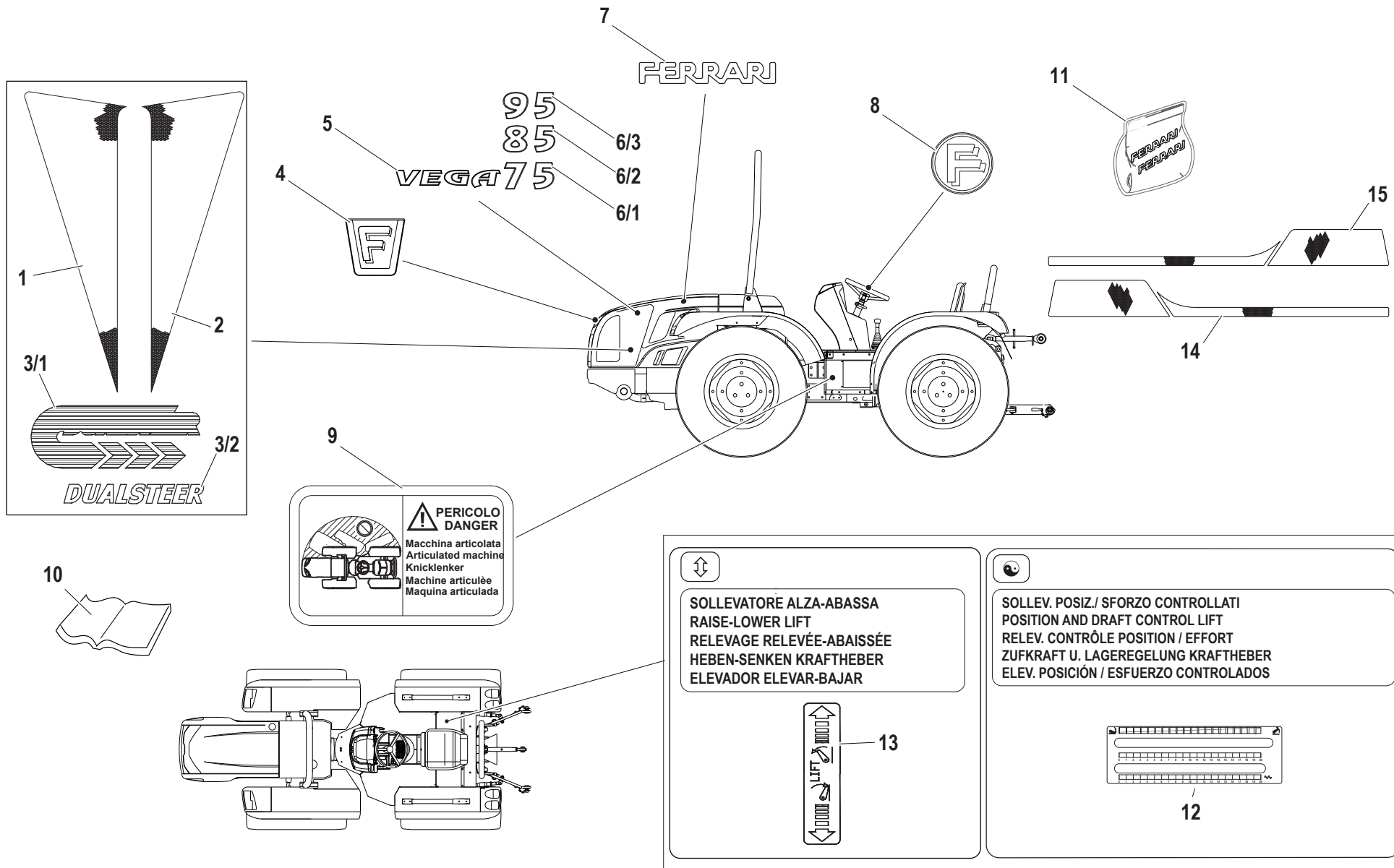
CODE REV

**B.06.01.L70001\_0**

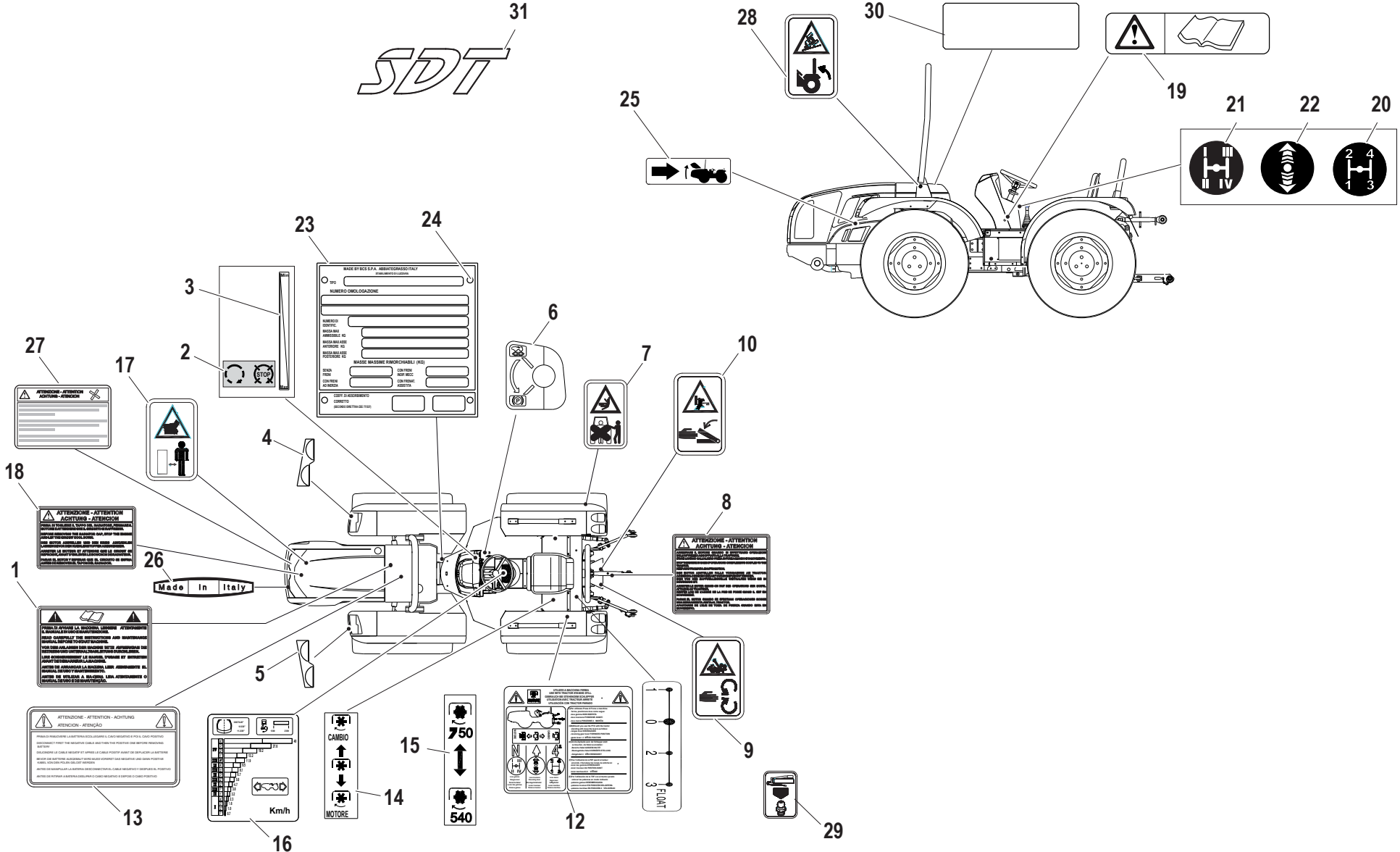


Pos.	Code	Q.ty	Description	Notes
34	58173196	1	GREEN TOOLS ENVELOPE	
10	58173772	1	PLATE	
11	58173773	1	PLATE	
33	58179012	2	DECAL	
25	F0808518050	4	RIVET 3,5x6,5	
35	F0907170132	1	TECH. MANUAL FERRARI VEGA	
35	F0907170135	1	TECHN. MANUAL VEGA	
35	F0907170136	1	MAN.U/MFERRARI VEGA(FRA)	
35	F0907170137	1	MAN.U/MFERRARI VEGA(TED)	
35	F0907170138	1	MAN.U/MFERRARI VEGA(SPA)	





Pos.	Code	Q.ty	Description	Notes
13	58077051	1	PLATE	
3,1	58077961	2	DECAL	
12	58079151	1	DECAL	
8	580A1121	1	DECAL	
2	580A1152	1	DECAL	
1	580A1153	1	DECAL	
14	580A1544	1	DECAL	
15	580A1545	1	DECAL	
9	580A1608	2	DECAL	
4	580A2192	1	DECAL	
5	580A2193	2	DECAL	
3,2	580A2197	2	DECAL	
7	580A2895	2	DECAL	
6,1	580A2896	2	DECAL	
6,2	580A2897	2	DECAL	
6,3	580A2898	2	DECAL	
11	581A1060	1	GREEN TOOLS ENVELOPE	



B.06.02.L70001\_1.ai

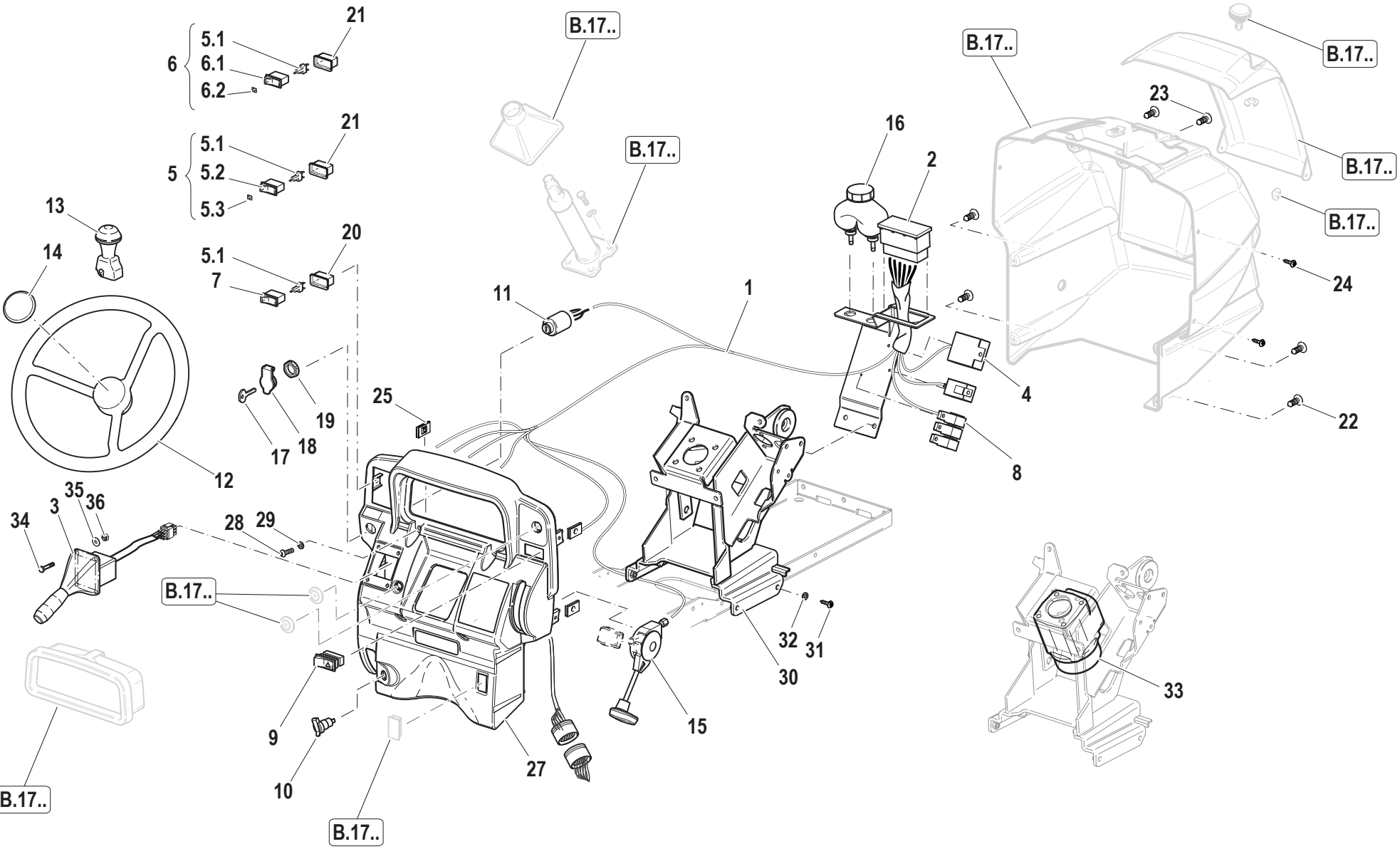
Pos.	Code	Q.ty	Description	Notes
2	58072511	1	INSTRUCTION PLATE	
14	58072518	1	PLATE	
15	58072575	1	PLATE	
25	58074841	1	DECAL	
19	58074880	1	PLATE	
12	58076077	1	DECAL	
16	58077046	1	DECAL	
3	58077047	1	DECAL	
6	58077048	1	DECAL	
11	58077054	1	PLATE	
4	58077421	1	DECAL	
5	58077422	1	DECAL	
30/02	580A0316	1	PLATE	
30/01	580A0317	1	PLATE	
30/03	580A0318	1	PLATE	
7	580A1015	1	DECAL	
17	580A1016	1	DECAL	
23	580A1023	1	PLATE	
23	580A1036	1	TARGH.DI OMOLOGAZIONE AGRIA	
8	580A1037	1	PLATE	
18	580A1038	1	PLATE	
27	580A1039	1	FAN WARNING PLATE	
1	580A1042	1	PLATE	
22	580A1581	1	DECAL	
20	580A1582	1	DECAL	
21	580A1583	1	DECAL	
28	580A1605	1	DECAL	
10	580A1606	1	DECAL	
9	580A1607	1	DECAL	
29	580A1609	4	DECAL	
26	580A2179	1	DECAL	
31	580A2360	2	DECAL	
13	58173775	1	PLATE	
24	F0808518050	4	RIVET 3,5x6,5	

SERIAL  
START  
**916941**

**PLATES AND STICKERS**

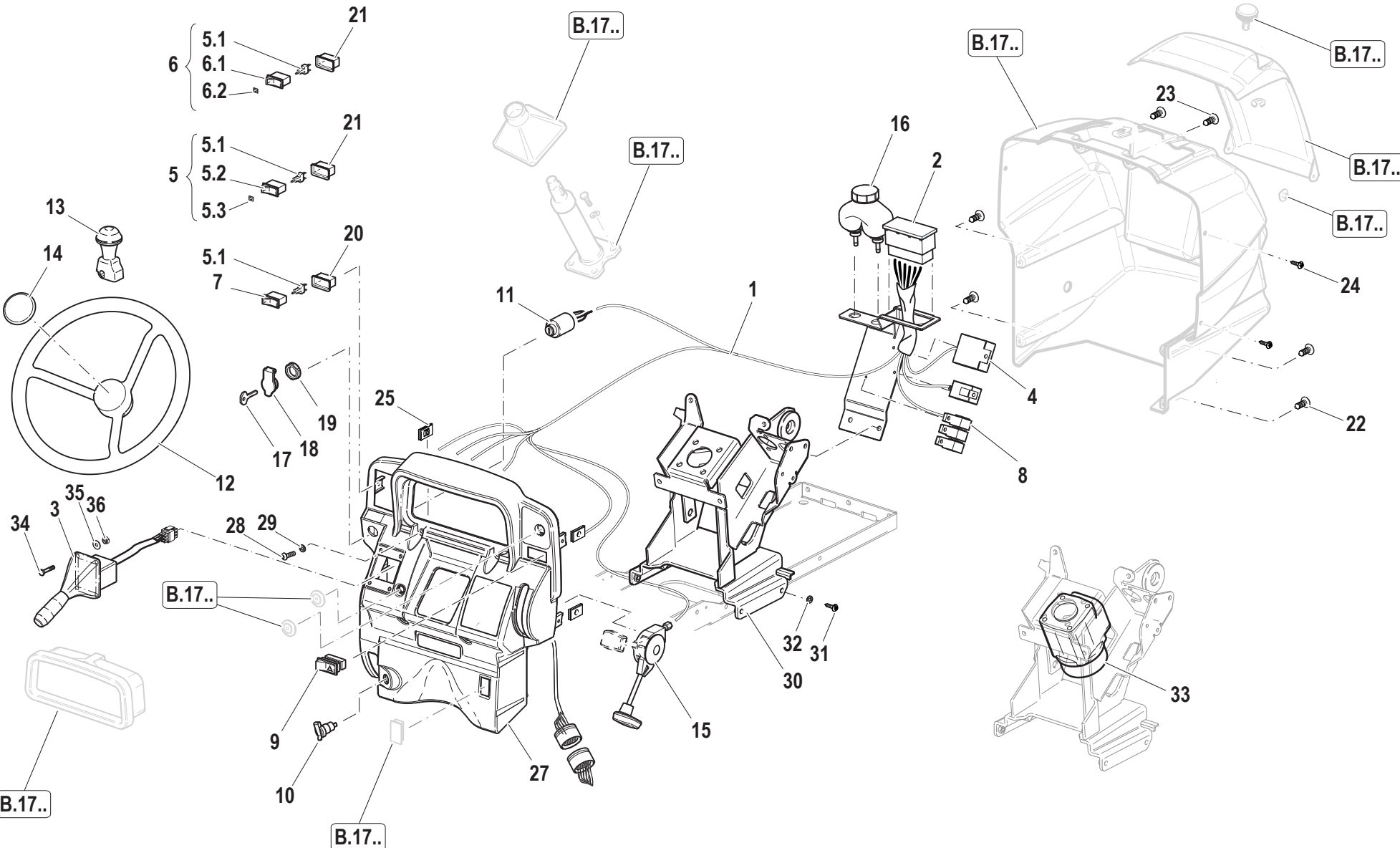
CODE REV

**B.06.02.L70001\_1**



B.07.01.L70001\_0.ai

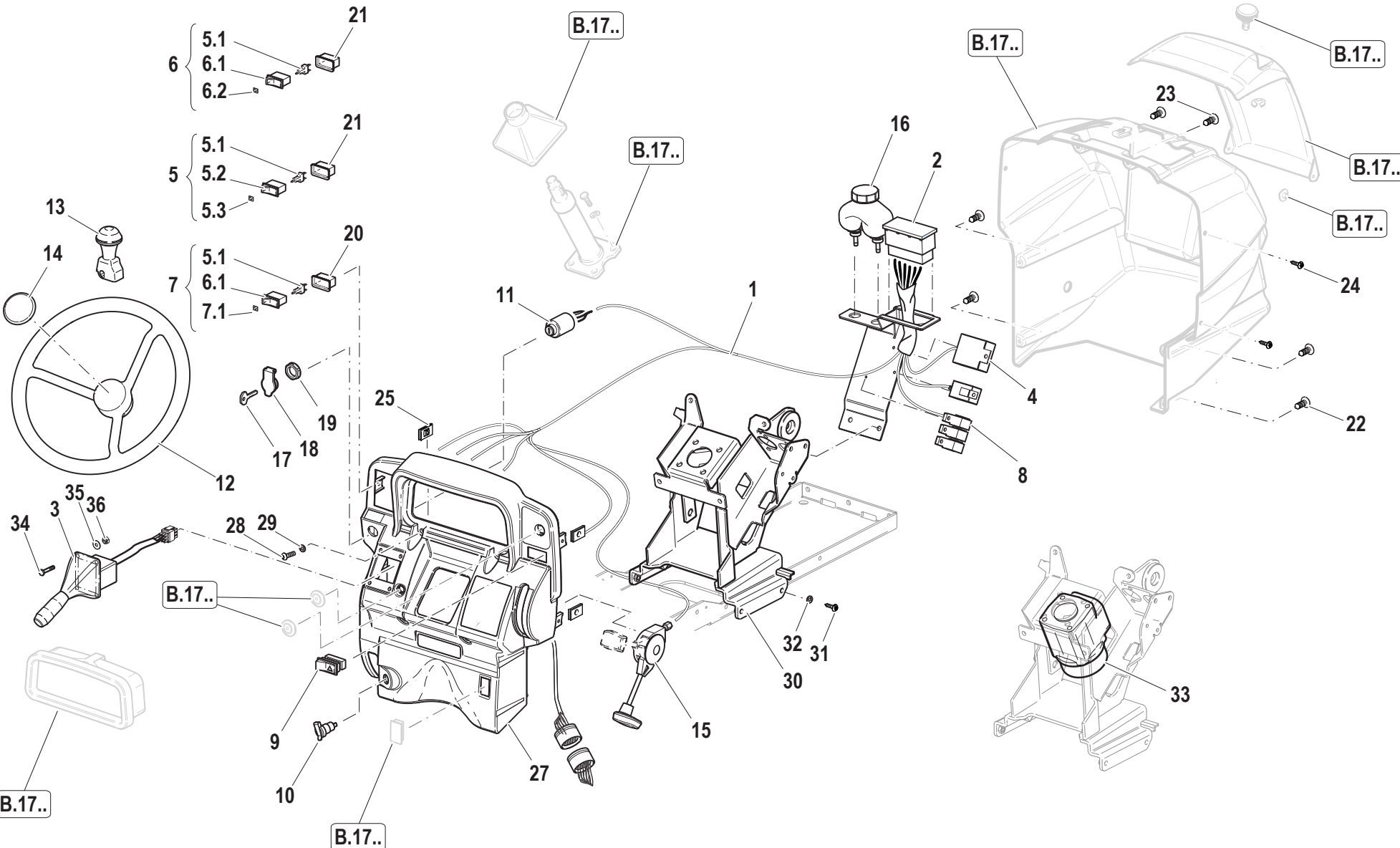
Pos.	Code	Q.ty	Description	Notes
34	31111084	4	SCREW TE M4X16 UNI 5739 8G	
36	31211040	4	NUT M4	
29	31411084	4	WASHER 8,4x17	
22	31510053	5	RIBBED SCREW TC 4,8X32	
23	31510055	1	SCREW A/F TE 4,8X32U/6950AB ZNT	
24	31510096	3	RIBBED SCREW 4,2X16	
27	55279131	1	INSTRUMENT PANEL	
1	58079003	1	CABLE	
21	58170376	2	TERMINAL FOR SWITCH	
2	58170453	1	FUSE BOX	
5,1	58173119	3	PILOT LIGHT 12V	
6,2	58173120	1	GLASS	
5,3	58173121	1	GLASS	
3	58173345	1	STEERING COLUMN SWITCH UNIT	
25	58173767	3	SMALL PLATE	
20	58175162	1	CHANGE-OVER SWITCH HOLDER	
4	58175700	1	SWITCHING CONTROL UNIT	
5	58176580	1	CHANGE-OVER SWITCH	
5,2	58176581	1	SWITCH	
6	58177266	1	CHANGE-OVER SWITCH	
6,1	58177268	1	CHANGE-OVER SWITCH	
7	58177323	1	SWITCH	
26	58178944	1	SPRING	
33	58178955	1	HYDROSTEERING	
13	58178958	1	HANDLE	
30	59078818	1	SUPPORT	
8	59900242	3	RELAY	
9	F0825115010	1	PUSH-BUTTON	
18	F0825400060	1	COVER	
10	F0825403050	1	SOCKET	
11	F0825500200	1	CHANGE-OVER SWITCH	
19	F0825500210	1	RING NUT	
17	F0825500220	1	KEY	
35	F0843526000	4	WASHER 4,3x12/1,5	



B.07.01.L70001\_0.ai

Pos.	Code	Q.ty	Description	Notes
32	F0843643060	2	WASHER 8	
28	F0862479020	4	SCREW M8X16 7380	
31	F0862479032	2	SCREW M8X25 7380	
12	F0865040000	1	STEERING WHEEL	
14	F0865040020	1	PLUG	
15	P238106000000	1	ACCELERATOR	
16	P238176000000	1	TANK	





B.07.01.L70001\_1.ai

Pos.	Code	Q.ty	Description	Notes
34	31111084	4	SCREW TE M4X16 UNI 5739 8G	
36	31211040	4	NUT M4	
29	31411084	4	WASHER 8,4x17	
22	31510053	5	RIBBED SCREW TC 4,8X32	
23	31510055	1	SCREW A/F TE 4,8X32U/6950AB ZNT	
24	31510096	3	RIBBED SCREW 4,2X16	
27	55279131	1	INSTRUMENT PANEL	
1	58079003	1	CABLE	
21	58170376	2	TERMINAL FOR SWITCH	
2	58170453	1	FUSE BOX	
5,1	58173119	3	PILOT LIGHT 12V	
6,2	58173120	1	GLASS	
5,3	58173121	1	GLASS	
3	58173345	1	STEERING COLUMN SWITCH UNIT	
25	58173767	3	SMALL PLATE	
20	58175162	1	CHANGE-OVER SWITCH HOLDER	
4	58175700	1	SWITCHING CONTROL UNIT	
7	58176578	1	CHANGE-OVER SWITCH	
7,1	58176579	1	GLASS	
5	58176580	1	CHANGE-OVER SWITCH	
5,2	58176581	1	SWITCH	
6	58177266	1	CHANGE-OVER SWITCH	
6,1	58177268	2	CHANGE-OVER SWITCH	
26	58178944	1	SPRING	
33	58178955	1	HYDROSTEERING	
13	58178958	1	HANDLE	
30	59078818	1	SUPPORT	
8	59900242	3	RELAY	
9	F0825115010	1	PUSH-BUTTON	
18	F0825400060	1	COVER	
10	F0825403050	1	SOCKET	
11	F0825500200	1	CHANGE-OVER SWITCH	
19	F0825500210	1	RING NUT	
17	F0825500220	1	KEY	

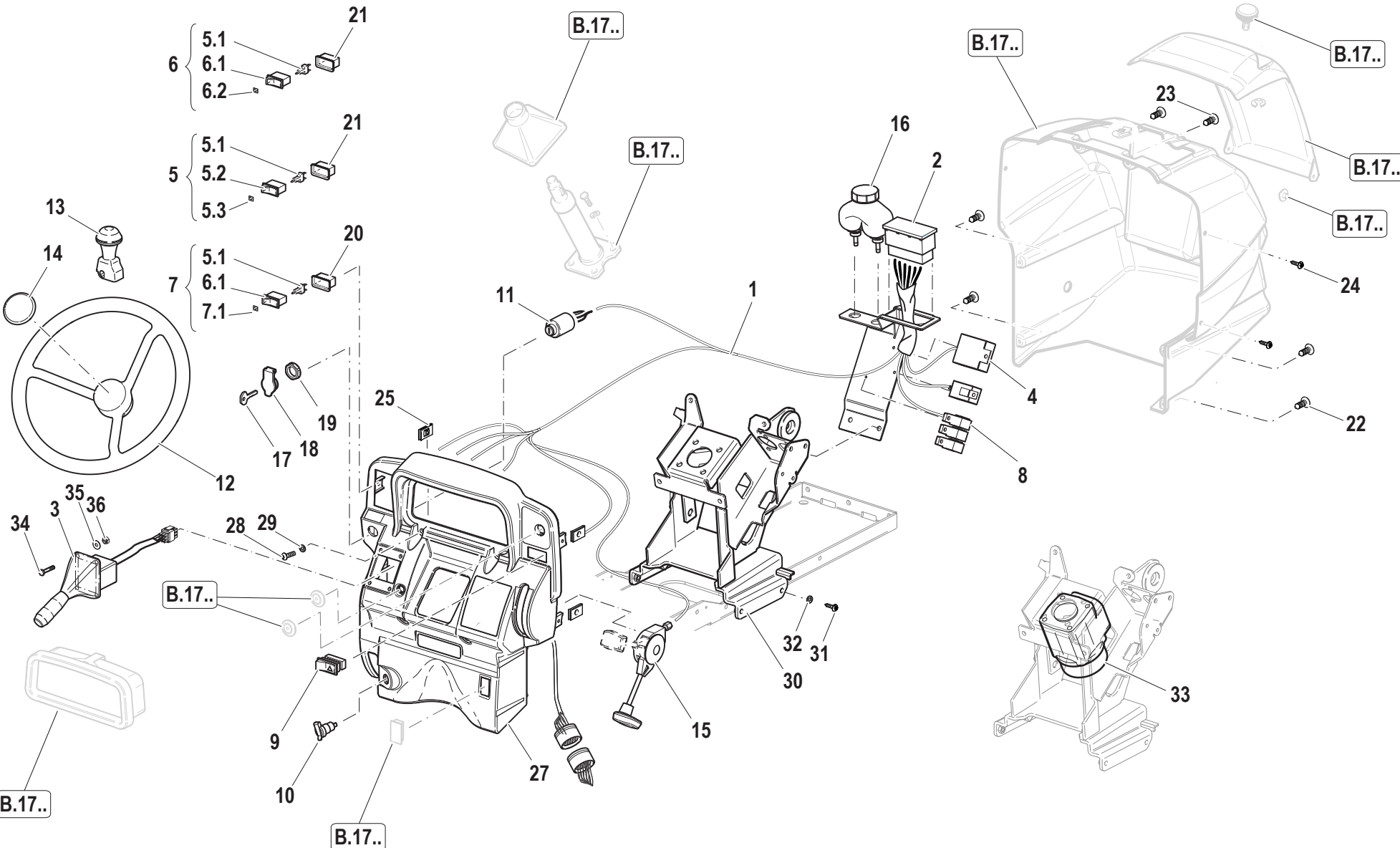
SERIAL  
END

916940

DASHBOARD

CODE REV

B.07.01.L70001\_1

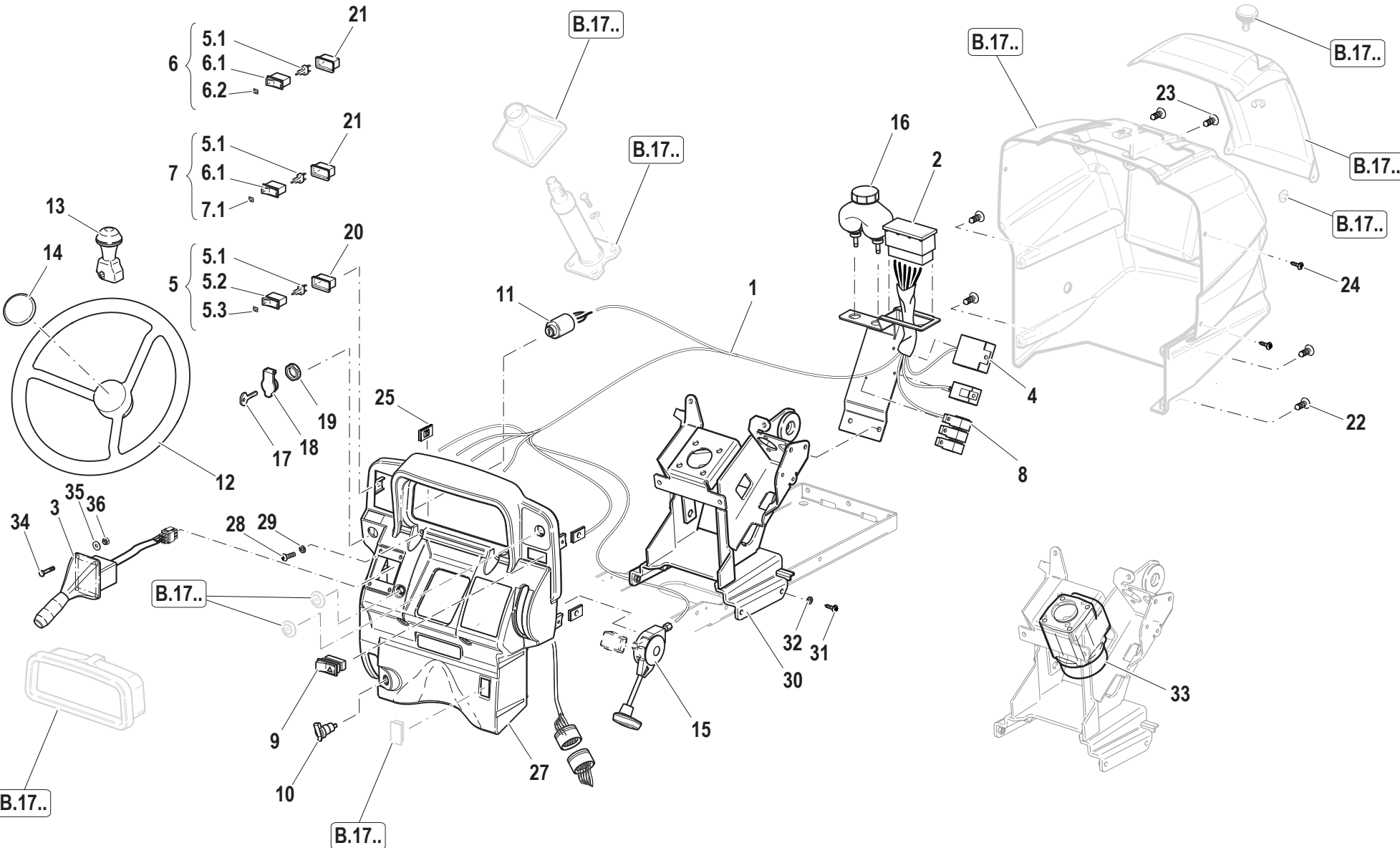


B.07.01.L70001\_1.ai

Pos.	Code	Q.ty	Description	Notes
35	F0843526000	4	WASHER 4,3x12/1,5	
32	F0843643060	2	WASHER 8	
28	F0862479020	4	SCREW M8X16 7380	
31	F0862479032	2	SCREW M8X25 7380	
12	F0865040000	1	STEERING WHEEL	
14	F0865040020	1	PLUG	
15	P238106000000	1	ACCELERATOR	
16	P238176000000	1	TANK	

**DASHBOARD**

SERIAL START 916941

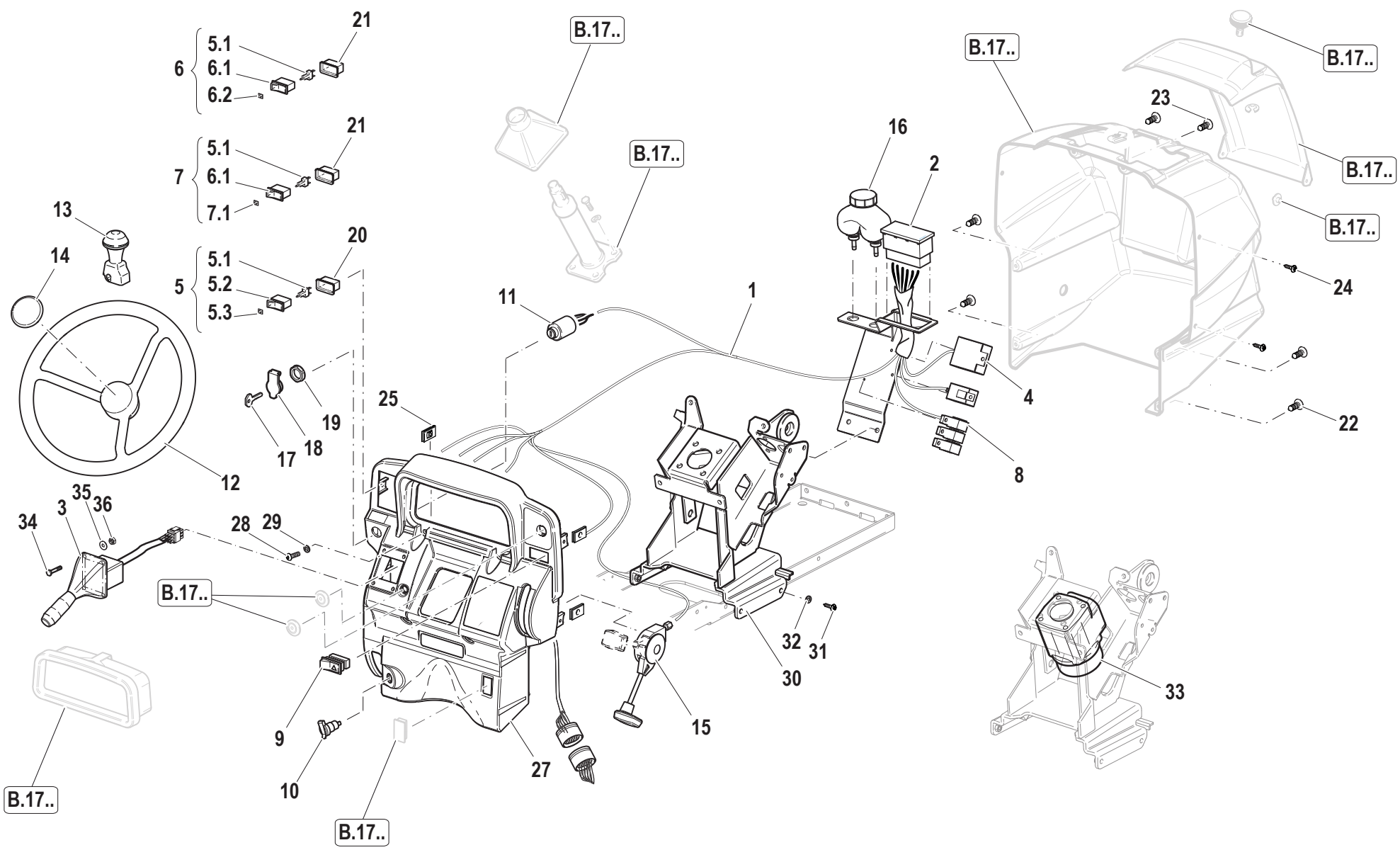


B.07.01.L70001\_2.ai

Pos.	Code	Q.ty	Description	Notes
34	31111084	4	SCREW TE M4X16 UNI 5739 8G	
36	31211040	4	NUT M4	
29	31411084	4	WASHER 8,4x17	
22	31510053	5	RIBBED SCREW TC 4,8X32	
23	31510055	1	SCREW A/F TE 4,8X32U/6950AB ZNT	
24	31510096	3	RIBBED SCREW 4,2X16	
27	55279131	1	INSTRUMENT PANEL	
1	58079936	1	CABLE	
21	58170376	2	TERMINAL FOR SWITCH	
2	58170453	1	FUSE BOX	
5,3	58173119	3	PILOT LIGHT 12V	
6,2	58173120	1	GLASS	
5,2	58173121	1	GLASS	
3	58173345	1	STEERING COLUMN SWITCH UNIT	
25	58173767	3	SMALL PLATE	
20	58175162	1	CHANGE-OVER SWITCH HOLDER	
4	58175700	1	SWITCHING CONTROL UNIT	
7	58176578	1	CHANGE-OVER SWITCH	
7,1	58176579	1	GLASS	
5	58176580	1	CHANGE-OVER SWITCH	
5,1	58176581	1	SWITCH	
6	58177266	1	CHANGE-OVER SWITCH	
6,1	58177268	2	CHANGE-OVER SWITCH	
26	58178944	1	SPRING	
33	58178955	1	HYDROSTEERING	
13	58178958	1	HANDLE	
30	59078818	1	SUPPORT	
8	59900242	3	RELAY	
9	F0825115010	1	PUSH-BUTTON	
18	F0825400060	1	COVER	
10	F0825403050	1	SOCKET	
11	F0825500200	1	CHANGE-OVER SWITCH	
19	F0825500210	1	RING NUT	
17	F0825500220	1	KEY	

# DASHBOARD

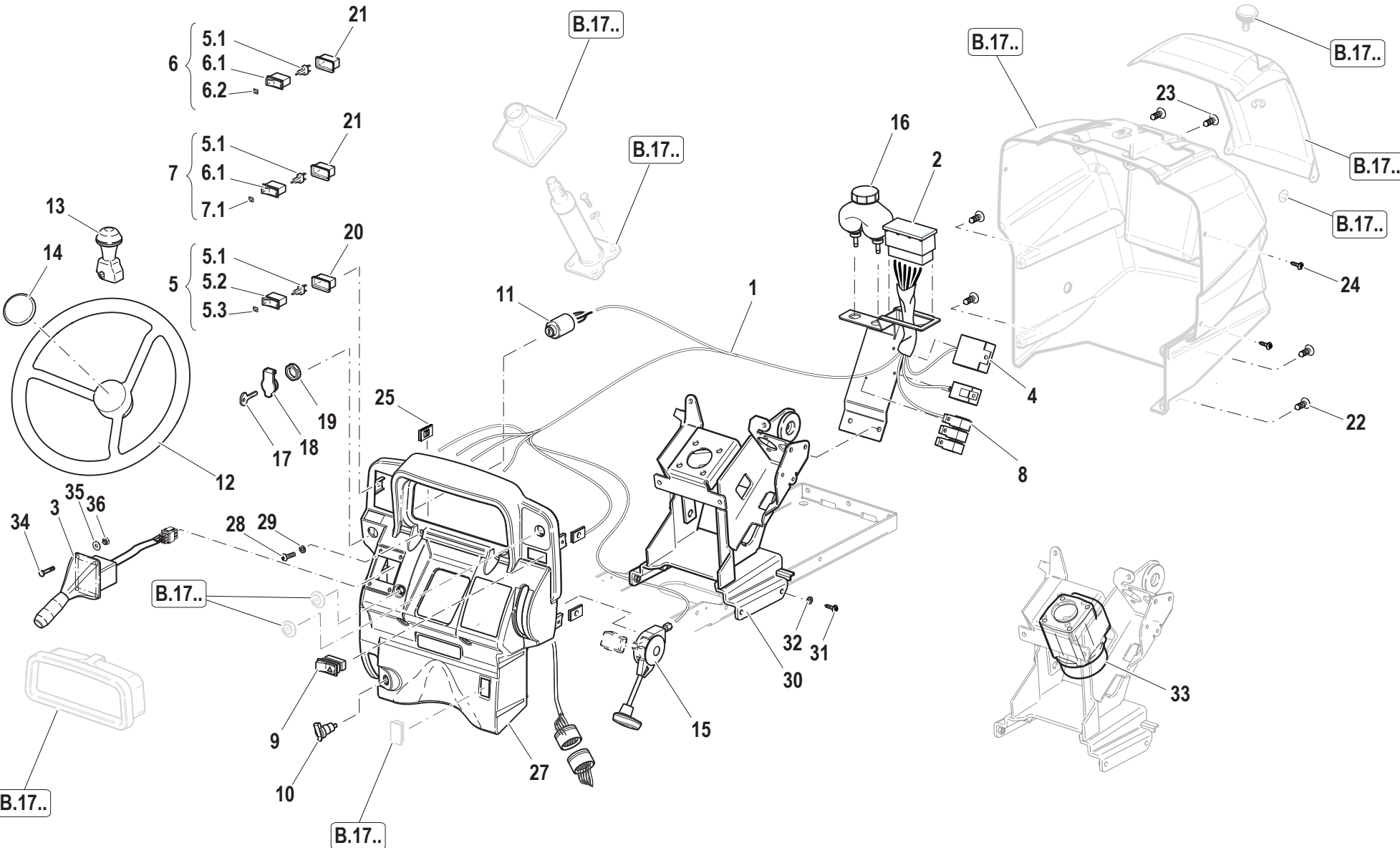
SERIAL START 916941



B.07.01.L70001\_2.ai

Pos.	Code	Q.ty	Description	Notes
35	F0843526000	4	WASHER 4,3x12/1,5	
32	F0843643060	2	WASHER 8	
28	F0862479020	4	SCREW M8X16 7380	
31	F0862479032	2	SCREW M8X25 7380	
12	F0865040000	1	STEERING WHEEL	
14	F0865040020	1	PLUG	
15	P238106000000	1	ACCELERATOR	
16	P238176000000	1	TANK	





B.07.01.L70001\_2.ai

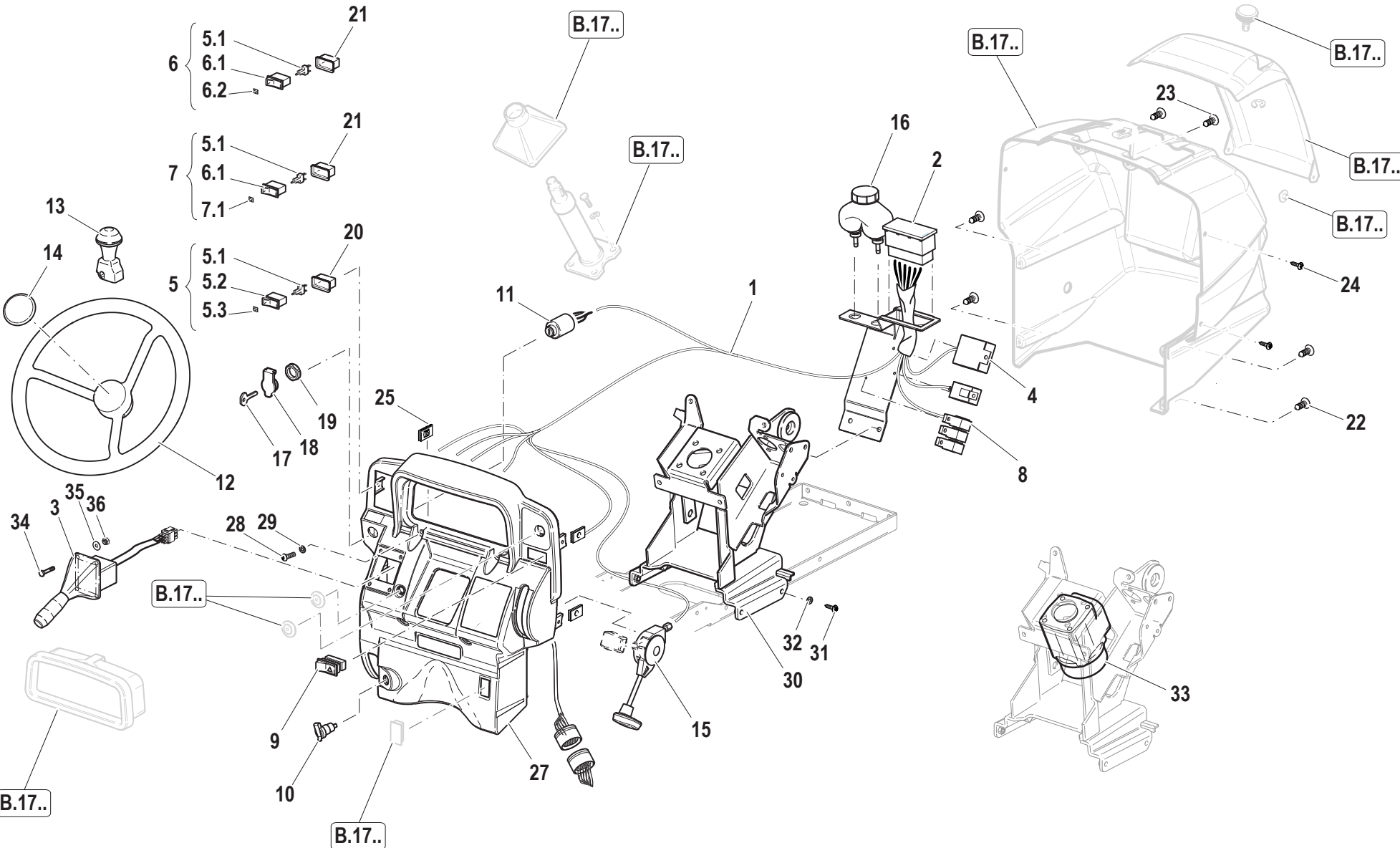
Pos.	Code	Q.ty	Description	Notes
34	31111084	4	SCREW TE M4X16 UNI 5739 8G	
36	31211040	4	NUT M4	
29	31411084	4	WASHER 8,4x17	
22	31510053	5	RIBBED SCREW TC 4,8X32	
23	31510055	1	SCREW A/F TE 4,8X32U/6950AB ZNT	
24	31510096	3	RIBBED SCREW 4,2X16	
27	55279131	1	INSTRUMENT PANEL	
1	58079936	1	CABLE	
21	58170376	2	TERMINAL FOR SWITCH	
2	58170453	1	FUSE BOX	
5,3	58173119	3	PILOT LIGHT 12V	
6,2	58173120	1	GLASS	
5,2	58173121	1	GLASS	
3	58173345	1	STEERING COLUMN SWITCH UNIT	
25	58173767	3	SMALL PLATE	
20	58175162	1	CHANGE-OVER SWITCH HOLDER	
4	58175700	1	SWITCHING CONTROL UNIT	
7	58176578	1	CHANGE-OVER SWITCH	
7,1	58176579	1	GLASS	
5	58176580	1	CHANGE-OVER SWITCH	
5,1	58176581	1	SWITCH	
6	58177266	1	CHANGE-OVER SWITCH	
6,1	58177268	2	CHANGE-OVER SWITCH	
26	58178944	1	SPRING	
33	58178954	1	HYDROSTEERING	
13	58178958	1	HANDLE	
30	59078818	1	SUPPORT	
8	59900242	3	RELAY	
9	F0825115010	1	PUSH-BUTTON	
18	F0825400060	1	COVER	
10	F0825403050	1	SOCKET	
11	F0825500200	1	CHANGE-OVER SWITCH	
19	F0825500210	1	RING NUT	
17	F0825500220	1	KEY	

SERIAL

**CRUSCOTTO**

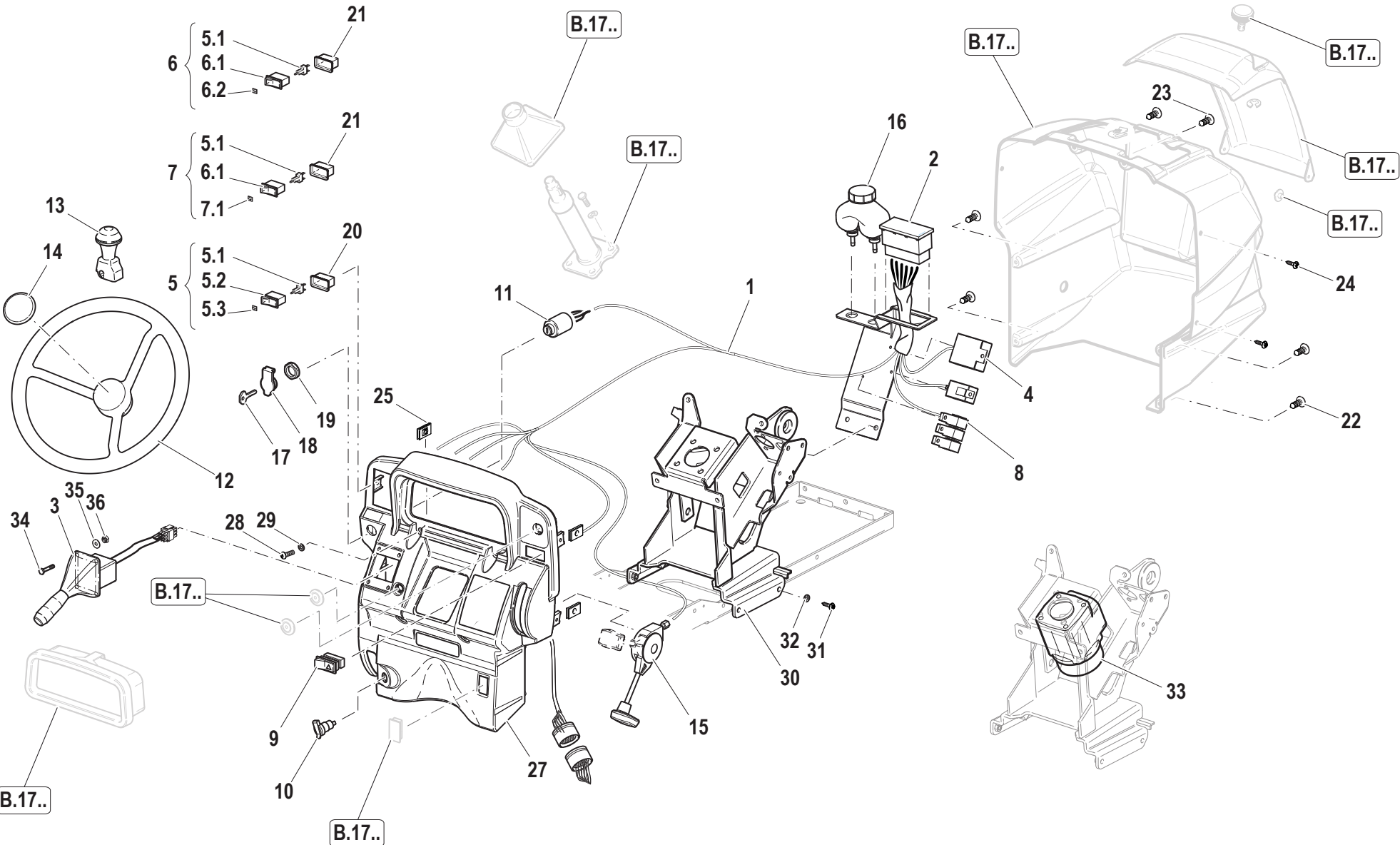
CODE REV

**B.07.01.L70001\_3**



B.07.01.L70001\_2.ai

Pos.	Code	Q.ty	Description	Notes
35	F0843526000	4	WASHER 4,3x12/1,5	
32	F0843643060	2	WASHER 8	
28	F0862479020	4	SCREW M8X16 7380	
31	F0862479032	2	SCREW M8X25 7380	
12	F0865040000	1	STEERING WHEEL	
14	F0865040020	1	PLUG	
15	P238106000000	1	ACCELERATOR	
16	P238176000000	1	TANK	



B.07.01.L70001\_2.ai

Pos.	Code	Q.ty	Description	Notes
34	31111084	4	SCREW TE M4X16 UNI 5739 8G	
36	31211040	4	NUT M4	
29	31411084	4	WASHER 8,4x17	
22	31510053	5	RIBBED SCREW TC 4,8X32	
23	31510055	1	SCREW A/F TE 4,8X32U/6950AB ZNT	
24	31510096	3	RIBBED SCREW 4,2X16	
27	55279131	1	INSTRUMENT PANEL	
1	580A0947	1	CABLE	
17	580A2134	1	IGNITION KEY	
21	58170376	2	TERMINAL FOR SWITCH	
2	58170453	1	FUSE BOX	
5,3	58173119	3	PILOT LIGHT 12V	
6,2	58173120	1	GLASS	
5,2	58173121	1	GLASS	
3	58173345	1	STEERING COLUMN SWITCH UNIT	
25	58173767	3	SMALL PLATE	
20	58175162	1	CHANGE-OVER SWITCH HOLDER	
4	58175700	1	SWITCHING CONTROL UNIT	
7	58176578	1	CHANGE-OVER SWITCH	
7,1	58176579	1	GLASS	
5	58176580	1	CHANGE-OVER SWITCH	
5,1	58176581	1	SWITCH	
6	58177266	1	CHANGE-OVER SWITCH	
6,1	58177268	2	CHANGE-OVER SWITCH	
26	58178944	1	SPRING	
33	58178954	1	HYDROSTEERING	
13	58178958	1	HANDLE	
30	59078818	1	SUPPORT	
8	59900242	3	RELAY	
9	F0825115010	1	PUSH-BUTTON	
18	F0825400060	1	COVER	
10	F0825403050	1	SOCKET	
11	F0825500200	1	CHANGE-OVER SWITCH	
19	F0825500210	1	RING NUT	

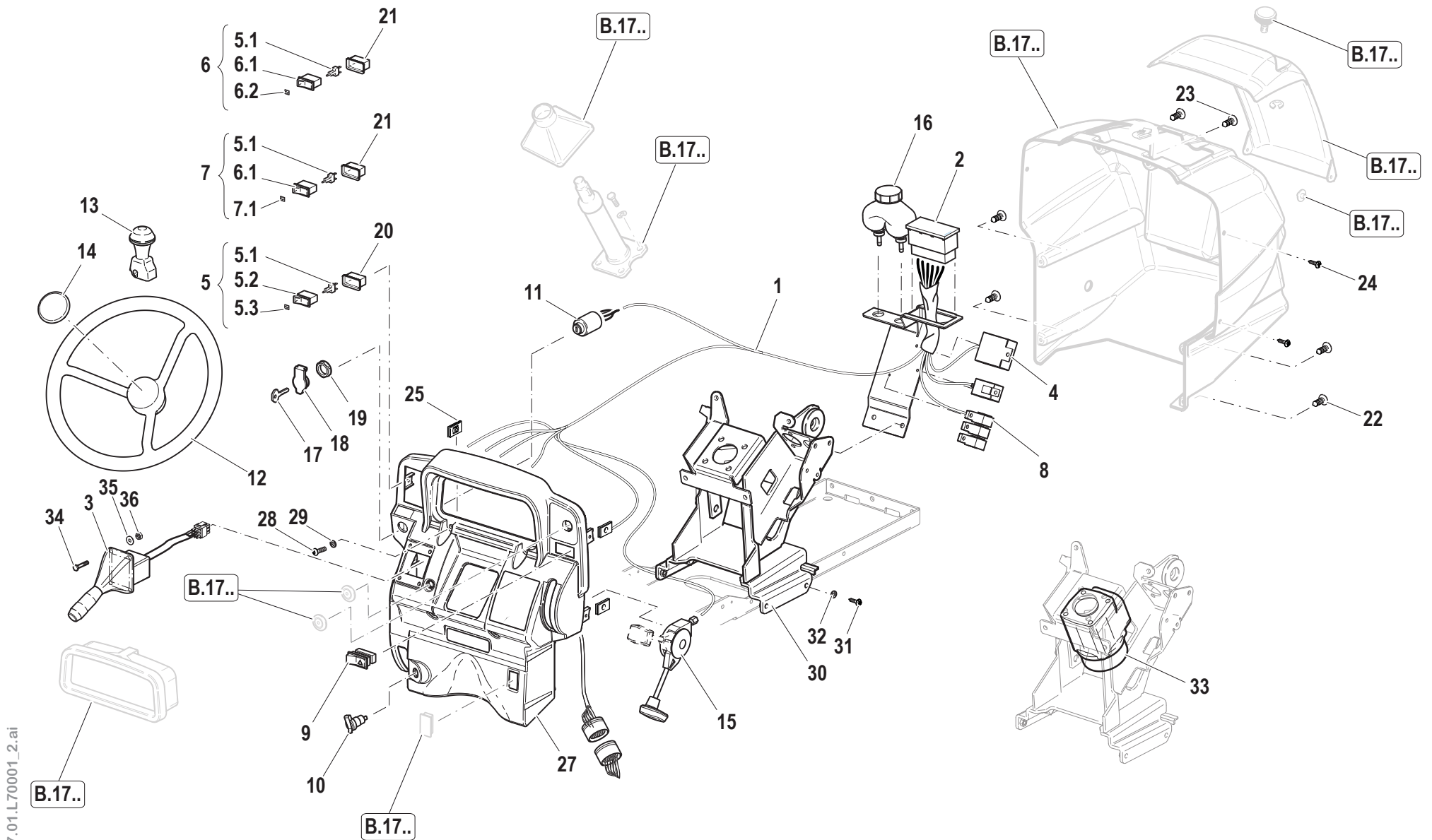
SERIAL

**CRUSCOTTO**

CODE REV

**B.07.01.L70001\_4**

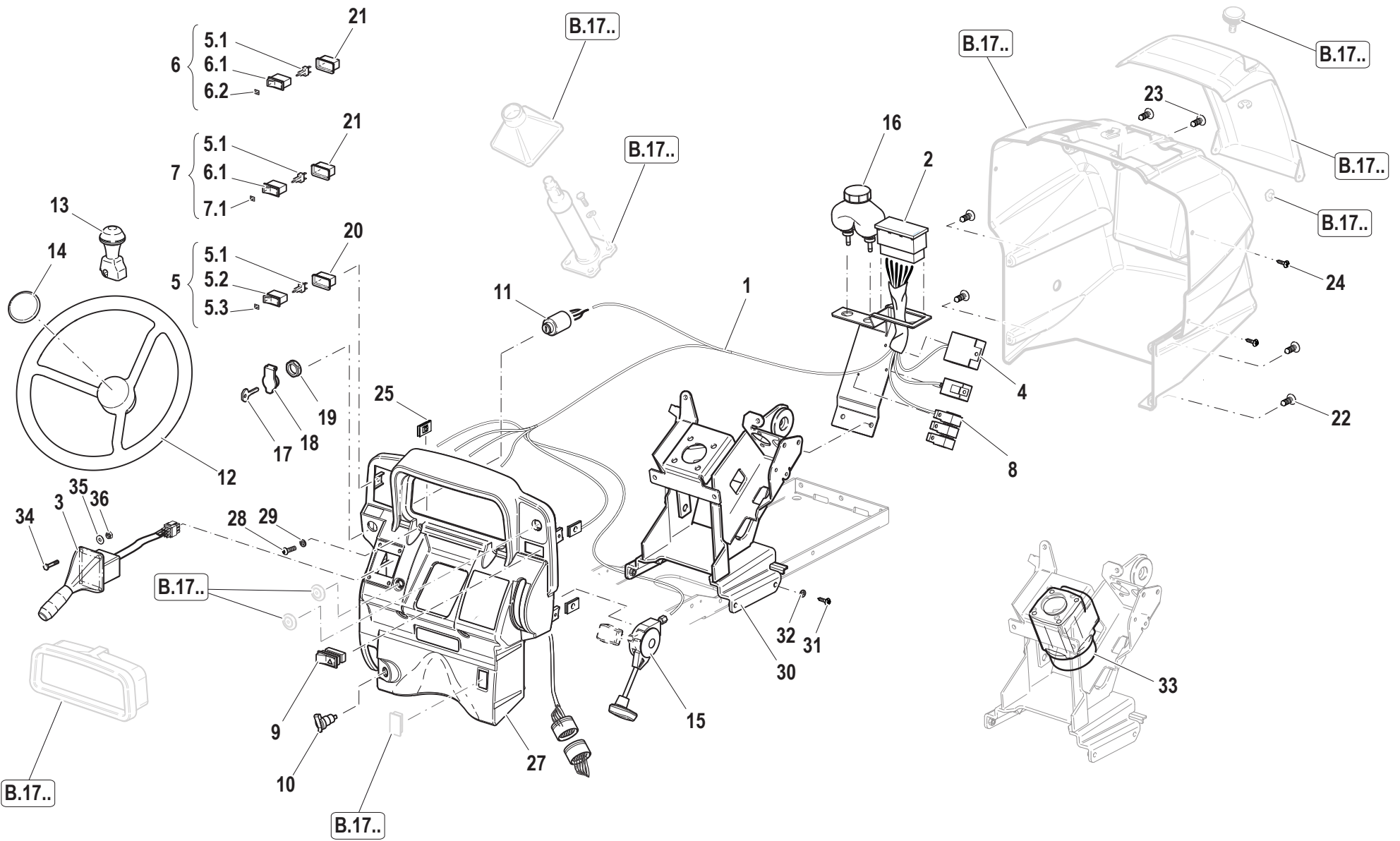
CRUSCOTTO



B.07.01.L70001\_2.ai

<b>Pos.</b>	<b>Code</b>	<b>Q.ty</b>	<b>Description</b>	<b>Notes</b>
35	F0843526000	4	WASHER 4,3x12/1,5	
32	F0843643060	2	WASHER 8	
28	F0862479020	4	SCREW M8X16 7380	
31	F0862479032	2	SCREW M8X25 7380	
12	F0865040000	1	STEERING WHEEL	
14	F0865040020	1	PLUG	
15	P238106000000	1	ACCELERATOR	
16	P238176000000	1	TANK	





B.07.01.L70001\_2.ai

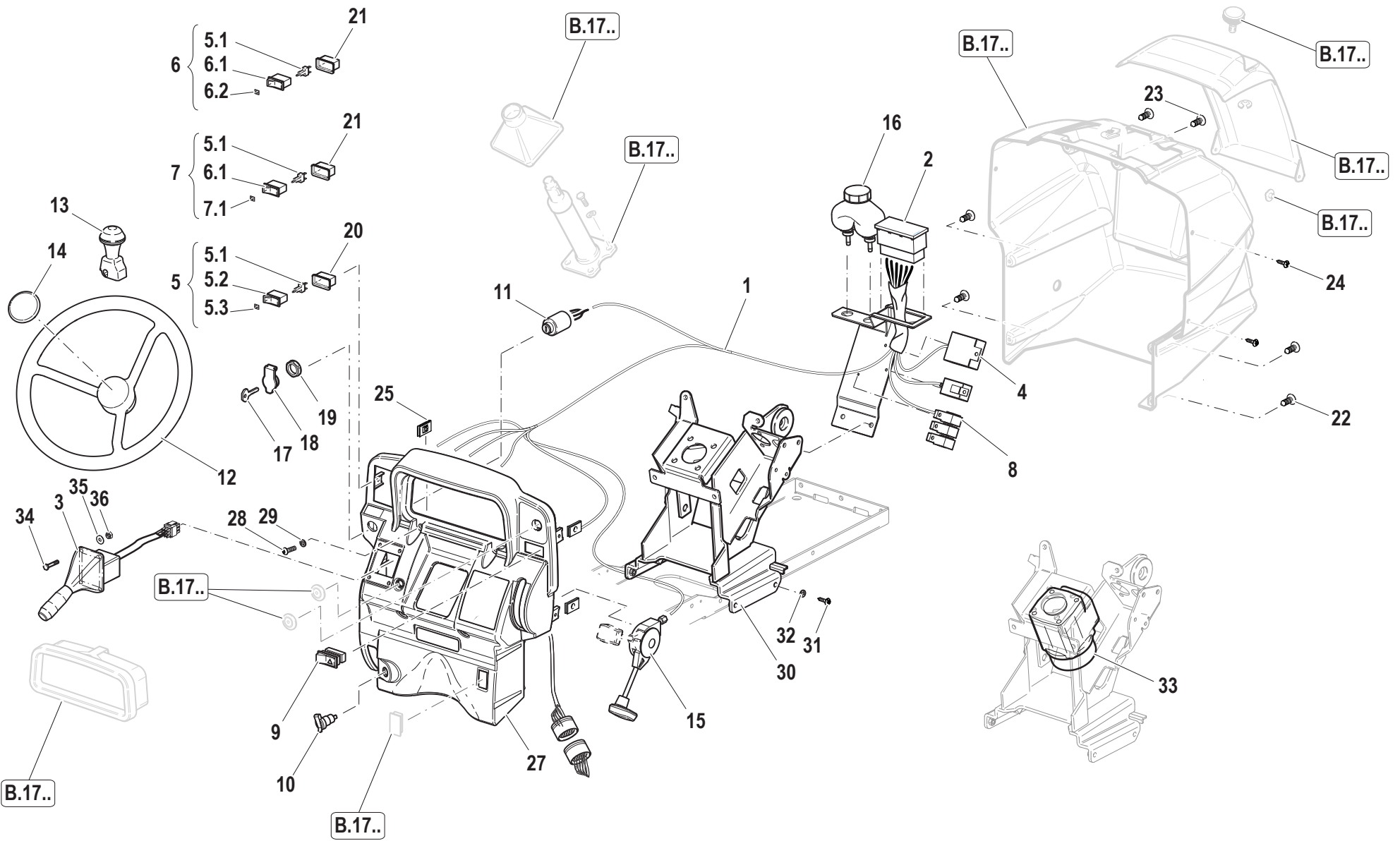
Pos.	Code	Q.ty	Description	Notes
34	31111084	4	SCREW TE M4X16 UNI 5739 8G	
36	31211040	4	NUT M4	
29	31411084	4	WASHER 8,4x17	
22	31510053	5	RIBBED SCREW TC 4,8X32	
23	31510055	1	SCREW A/F TE 4,8X32U/6950AB ZNT	
24	31510096	3	RIBBED SCREW 4,2X16	
27	55279131	1	INSTRUMENT PANEL	
1	580A0947	1	CABLE	
17	580A2134	1	IGNITION KEY	
21	58170376	2	TERMINAL FOR SWITCH	
2	58170453	1	FUSE BOX	
5,3	58173119	3	PILOT LIGHT 12V	
6,2	58173120	1	GLASS	
5,2	58173121	1	GLASS	
3	58173345	1	STEERING COLUMN SWITCH UNIT	
25	58173767	3	SMALL PLATE	
20	58175162	1	CHANGE-OVER SWITCH HOLDER	
4	58175700	1	SWITCHING CONTROL UNIT	
7	58176578	1	CHANGE-OVER SWITCH	
7,1	58176579	1	GLASS	
5	58176580	1	CHANGE-OVER SWITCH	
5,1	58176581	1	SWITCH	
6	58177266	1	CHANGE-OVER SWITCH	
6,1	58177268	2	CHANGE-OVER SWITCH	
26	58178944	1	SPRING	
13	58178958	1	HANDLE	
33	581A3810	1	HYDROSTEERING	
30	59078818	1	SUPPORT	
8	59900242	3	RELAY	
9	F0825115010	1	PUSH-BUTTON	
18	F0825400060	1	COVER	
10	F0825403050	1	SOCKET	
11	F0825500200	1	CHANGE-OVER SWITCH	
19	F0825500210	1	RING NUT	

SERIAL

**CRUSCOTTO**

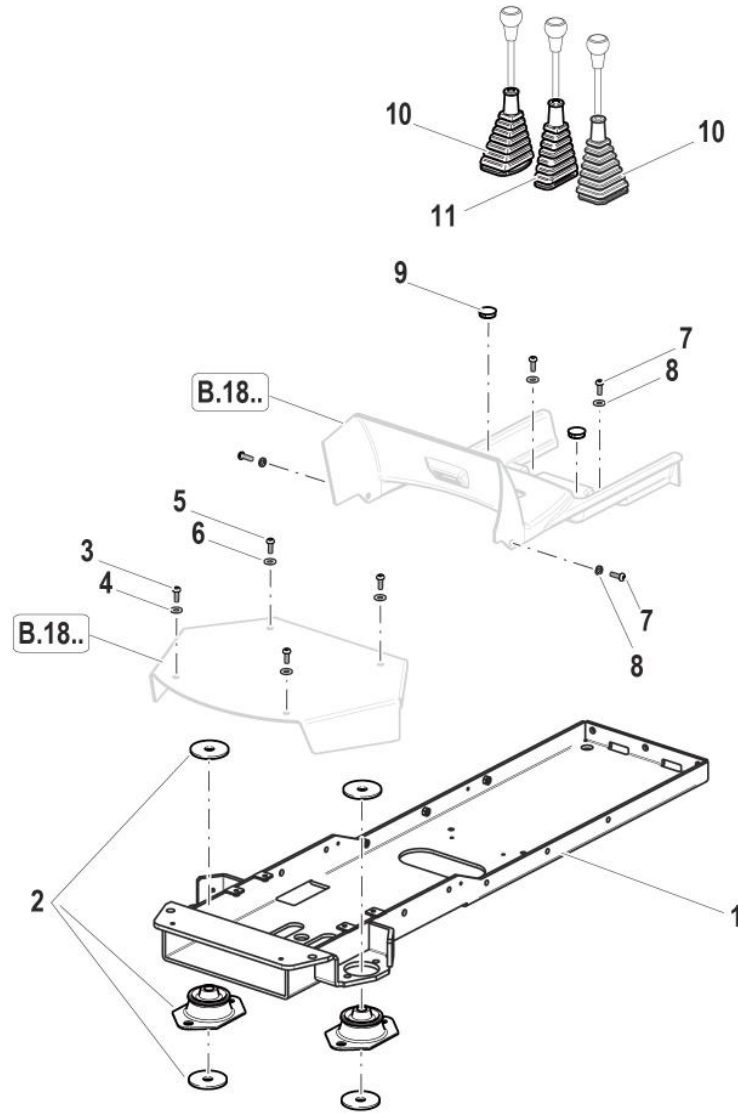
CODE REV

**B.07.01.L70001\_5**



Pos.	Code	Q.ty	Description	Notes
35	F0843526000	4	WASHER 4,3x12/1,5	
32	F0843643060	2	WASHER 8	
28	F0862479020	4	SCREW M8X16 7380	
31	F0862479032	2	SCREW M8X25 7380	
12	F0865040000	1	STEERING WHEEL	
14	F0865040020	1	PLUG	
15	P238106000000	1	ACCELERATOR	
16	P238176000000	1	TANK	

# GEAR LEVERS COVERING



Pos.	Code	Q.ty	Description	Notes
6	31411064	2	WASHER 6,4x12,5	
8	31411064	4	WASHER 6,4x12,5	
4	31411084	2	WASHER 8,4x17	
11	55176090	1	BELLOWS	
10	55176091	2	BELLOWS	
2	58176233	2	SILENT-BLOCK	
9	58179014	2	PLUG	
1	59078738	1	BOX	
2	F0862479020	2	SCREW M8X16 7380	
7	F0862479034	4	SCREW M6X12 7380	
5	F0862479035	2	SCREW	

SERIAL  
END

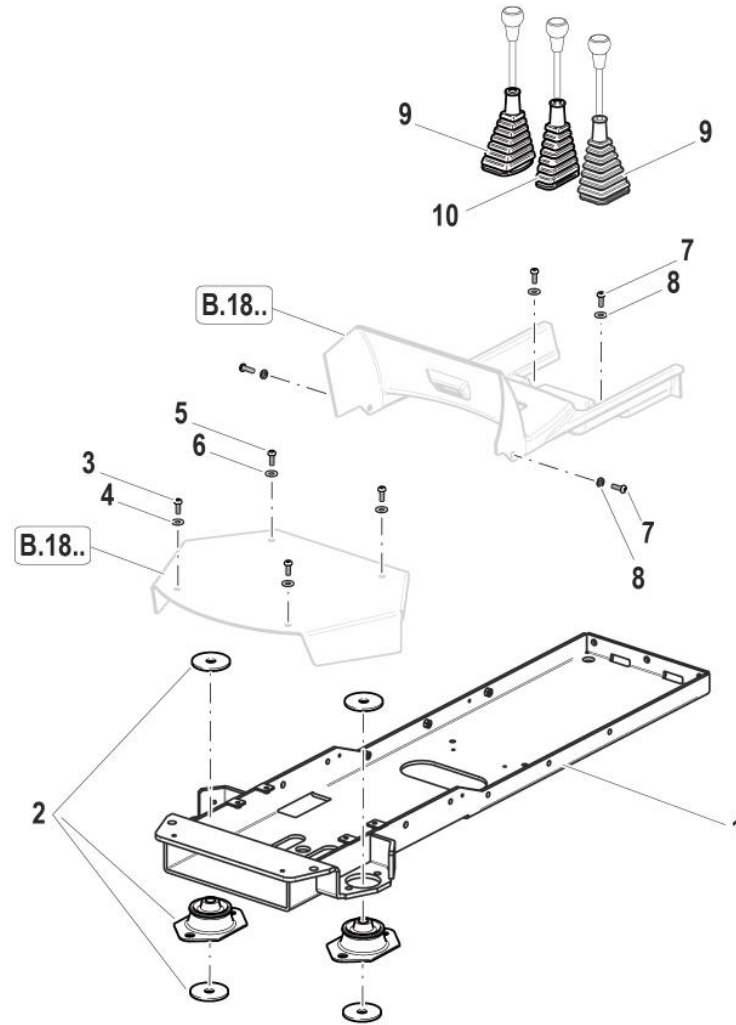
916940

GEAR LEVERS COVERING

CODE REV

B.08.01.L70001\_0

# GEAR LEVERS COVERING



Pos.	Code	Q.ty	Description	Notes
6	31411064	2	WASHER 6,4x12,5	
8	31411064	4	WASHER 6,4x12,5	
4	31411084	2	WASHER 8,4x17	
10	55176090	1	BELLOWS	
9	55176091	2	BELLOWS	
2	58176233	4	SILENT-BLOCK	
1	590A0466	1	BOX	
3	F0862479020	2	SCREW M8X16 7380	
7	F0862479034	4	SCREW M6X12 7380	
5	F0862479035	2	SCREW	

SERIAL  
START  
**916941**

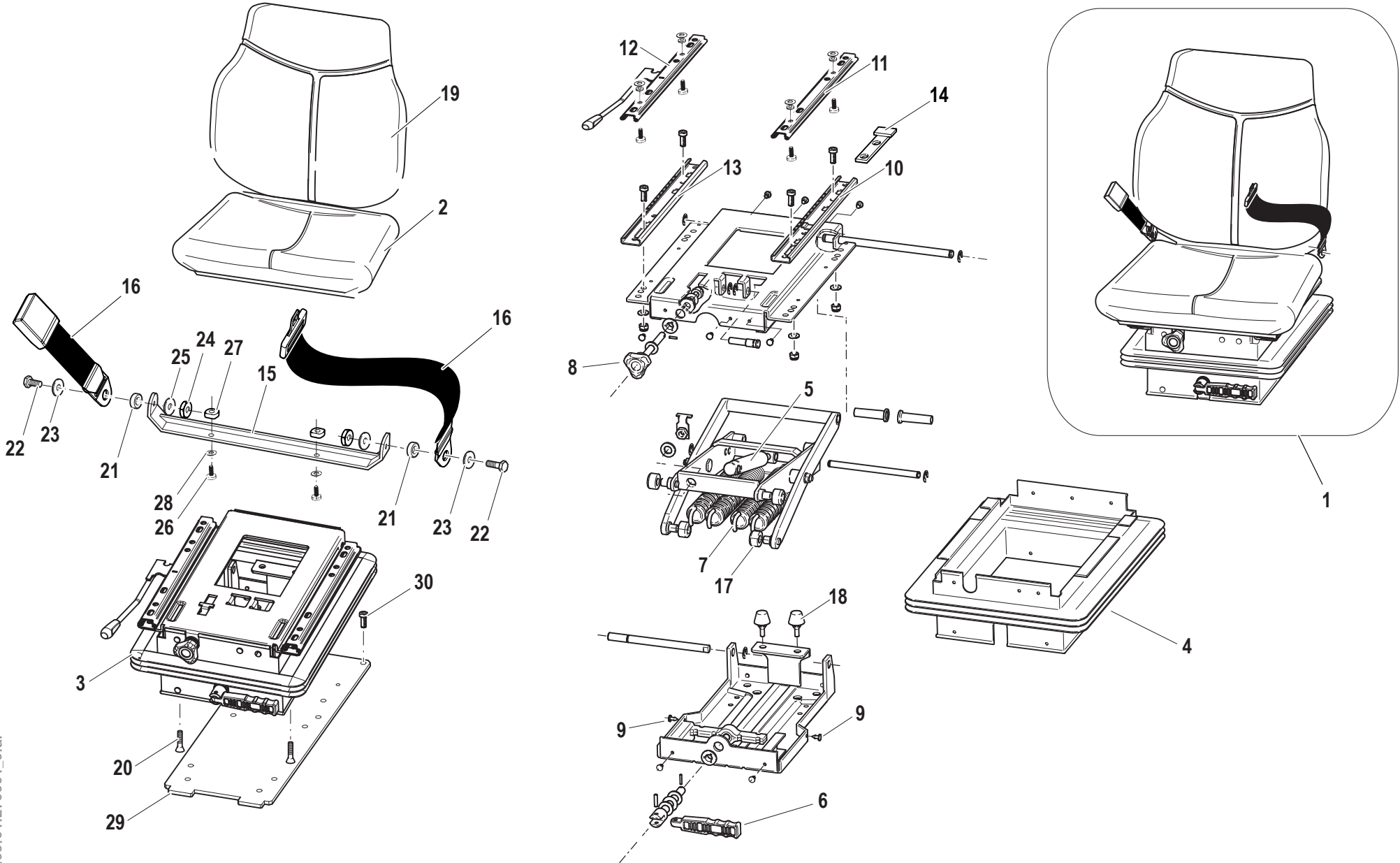
**GEAR LEVERS COVERING**

CODE REV

**B.08.01.L70001\_1**



# STANDARD SEAT-MECHANICAL SPRINGING SYSTEM



B.09.01.L70001\_0.ai

Pos.	Code	Q.ty	Description	Notes
26	31112150	2	SCREW TE M8X20 UNI 5739 8G	
22	31112211	2	SCREW TE M10X30 UNI 5739	
20	31132566	4	SCREW TSVEI M8X20 UNI 5933	
30	31152081	2	SCREW TCEI M8X20 UNI 5931	
27	31211080	2	NUT M8	
24	31211100	2	NUT M10	
23	31411104	2	WASHER 10,5x18	
21	56079702	2	SPACER	
15	56177660	1	BRACKET	
29	56178697	1	PLATE	
1	58177376	1	SEAT	
16	58192377	1	SAFETY BELT	
14	59071241	1	STOP PLATE	
13	59900152	1	LOWER GUIDE	
8	59900153	1	KNOB	
7	59900154	4	SPRING	
6	59900155	1	LEVER	
5	59900156	1	SHOCKS ABSORBER	
10	59900157	1	LOWER GUIDE	
9	59900158	18	SCREW	
4	59900159	1	BELLOWS	
11	59900160	1	GUIDE	
12	59900161	1	GUIDE	
3	59901049	1	SUSPENSION	
2	59901052	1	SEAT	
19	59901053	1	BACKREST	
17	59901100	1	BUSHING	
18	59901101	1	STOP BUFFER	
28	F0843643060	2	WASHER 8	
25	F0843755000	2	WASHER 10	

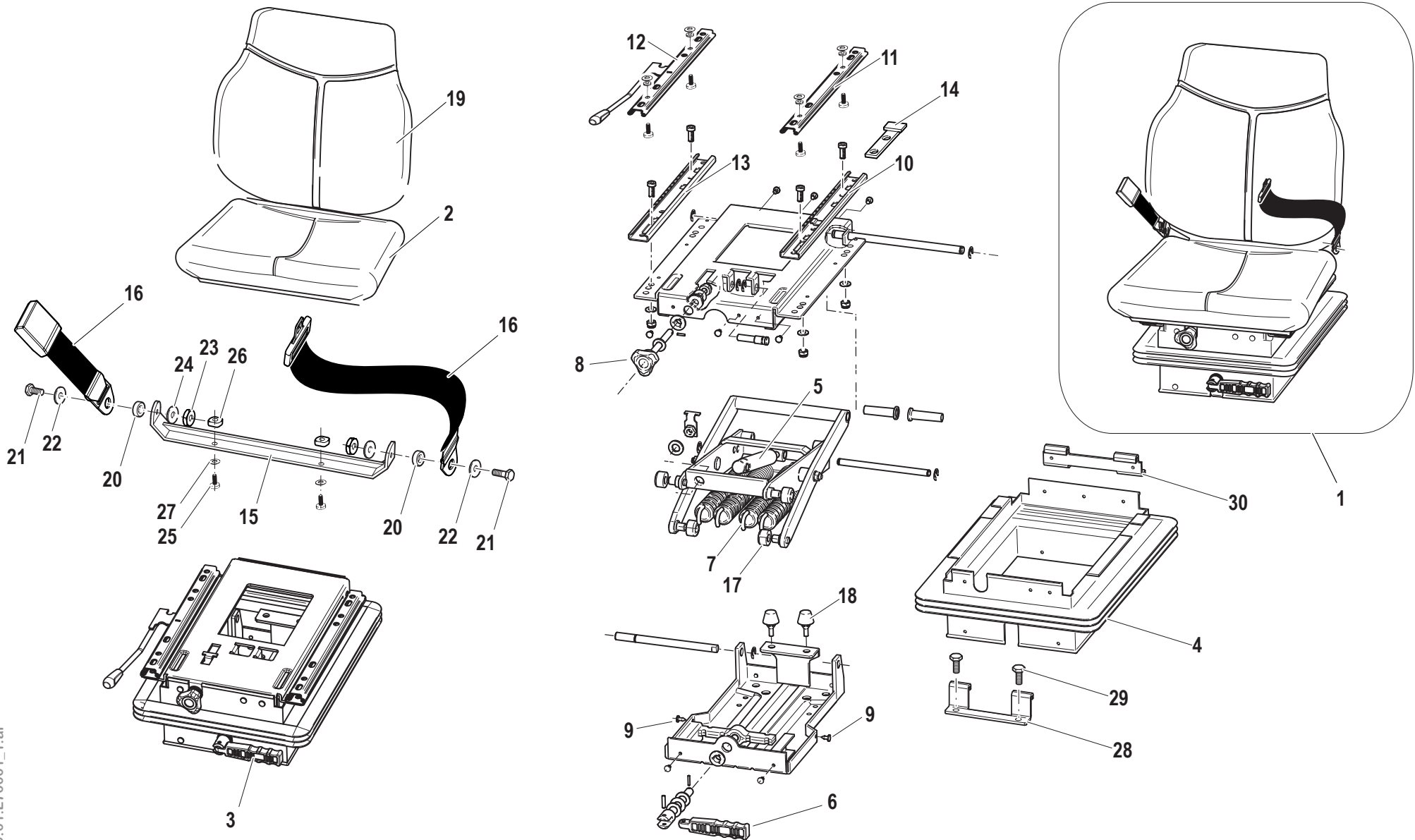
SERIAL  
END

916940

STANDARD SEAT-MECHANICAL SPRINGING SYSTEM

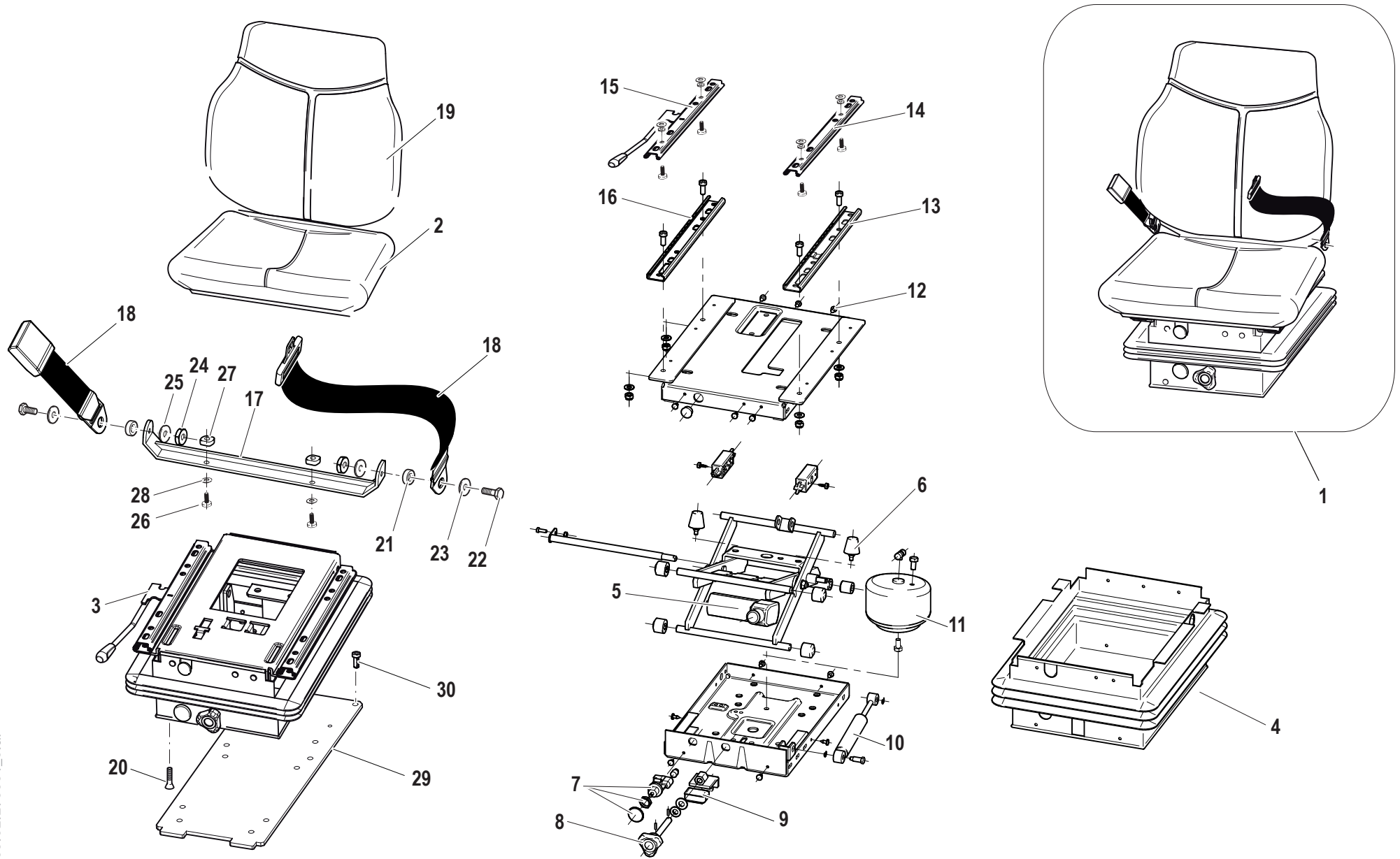
CODE REV

B.09.01.L70001\_0



Pos.	Code	Q.ty	Description	Notes
29	31112148	2	SCREW TE M8X18 UNI 5739 8G	
25	31112150	2	SCREW TE M8X20 UNI 5739 8G	
21	31112211	2	SCREW TE M10X30 UNI 5739	
26	31211080	2	NUT M8	
23	31211100	2	NUT M10	
22	31411104	2	WASHER 10,5x18	
20	56079702	2	SPACER	
15	56177660N	1	BRACKET	
28	56179969	1	SEAT FASTENER	
30	561A0473	1	STOP	
1	58177376	1	SEAT	
16	58192377	1	SAFETY BELT	
14	59071241	1	STOP PLATE	
13	59900152	1	LOWER GUIDE	
8	59900153	1	KNOB	
7	59900154	4	SPRING	
6	59900155	1	LEVER	
5	59900156	1	SHOCKS ABSORBER	
10	59900157	1	LOWER GUIDE	
9	59900158	18	SCREW	
4	59900159	1	BELLOWS	
11	59900160	1	GUIDE	
12	59900161	1	GUIDE	
3	59901049	1	SUSPENSION	
2	59901052	1	SEAT	
19	59901053	1	BACKREST	
17	59901100	1	BUSHING	
18	59901101	1	STOP BUFFER	
27	F0843643060	2	WASHER 8	
24	F0843755000	2	WASHER 10	

# STANDARD SEAT-PNEUMATIC SPRINGING SYSTEM



Pos.	Code	Q.ty	Description	Notes
26	31112150	2	SCREW TE M8X20 UNI 5739 8G	
22	31112211	2	SCREW TE M10X30 UNI 5739	
20	31132566	4	SCREW TSVEI M8X20 UNI 5933	
30	31152081	2	SCREW TCEI M8X20 UNI 5931	
27	31211080	2	NUT M8	
24	31211100	2	NUT M10	
23	31411104	2	WASHER 10,5x18	
21	56079702	2	SPACER	
17	56177660	1	BRACKET	
29	56178697	1	PLATE	
1	58177377	1	SEAT	
18	58192377	1	SAFETY BELT	
16	59900152	1	LOWER GUIDE	
13	59900157	1	LOWER GUIDE	
12	59900158	18	SCREW	
14	59900160	1	GUIDE	
15	59900161	1	GUIDE	
2	59901052	1	SEAT	
19	59901053	1	BACKREST	
3	59901056	1	SOSP.M97 C/REG.ALT. M5067.014	
4	59901102	1	BELLOWS	
5	59901103	1	KIT	
6	59901104	3	TAMPONE FINE CORSA (2011-320)	
7	59901105	1	SWITCH	
8	59901106	1	KNOB	
9	59901107	1	TAMPONE (2011-026)	
10	59901108	1	SHOCKS ABSORBER	
11	59901109	1	SPRING	
28	F0843643060	2	WASHER 8	
25	F0843755000	2	WASHER 10	

SERIAL  
END

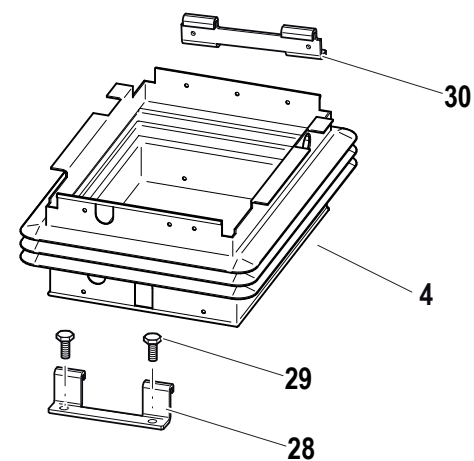
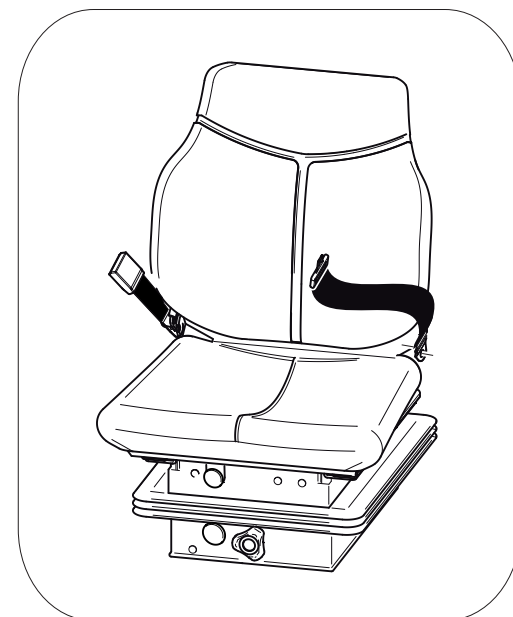
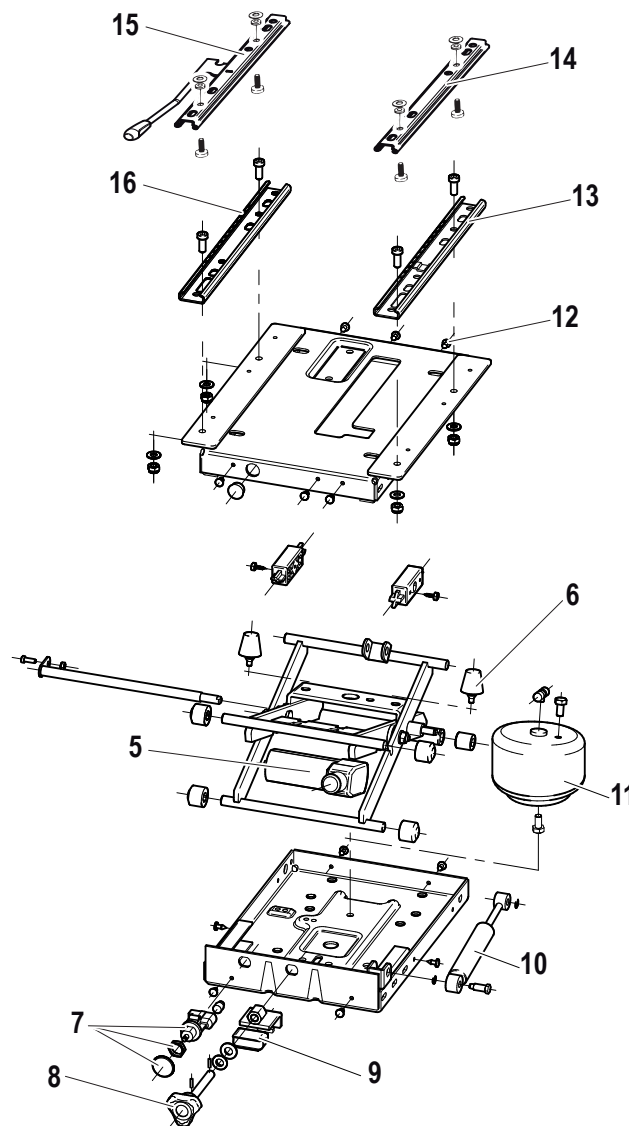
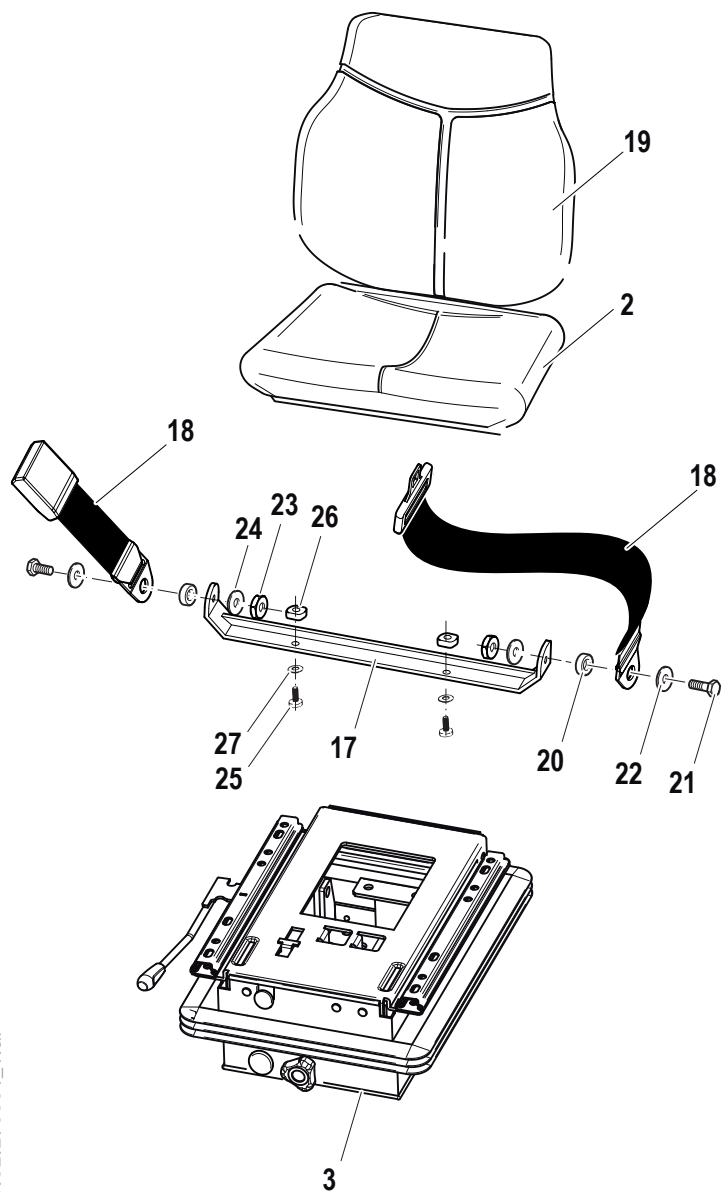
916940

STANDARD SEAT-PNEUMATIC SPRINGING SYSTEM

CODE REV

B.09.02.L70001\_0

# STANDARD SEAT-PNEUMATIC SPRINGING SYSTEM



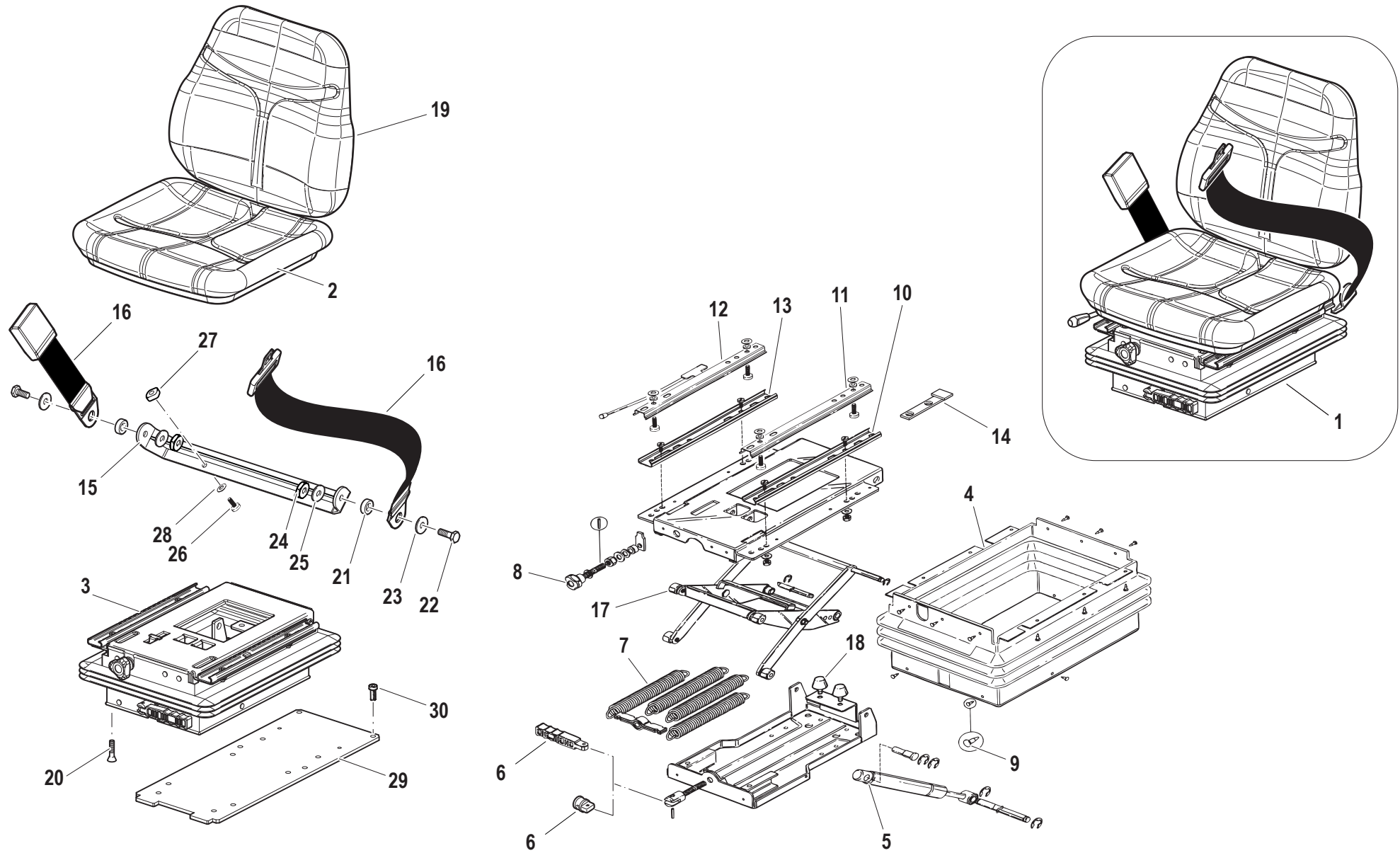
Pos.	Code	Q.ty	Description	Notes
29	31112148	2	SCREW TE M8X18 UNI 5739 8G	
25	31112150	2	SCREW TE M8X20 UNI 5739 8G	
21	31112211	2	SCREW TE M10X30 UNI 5739	
26	31211080	2	NUT M8	
23	31211100	2	NUT M10	
22	31411104	2	WASHER 10,5x18	
20	56079702	2	SPACER	
17	56177660N	1	BRACKET	
28	561A0474	1	STOP	
30	561A0475	1	STOP	
1	58177377	1	SEAT	
18	58192377	1	SAFETY BELT	
16	59900152	1	LOWER GUIDE	
13	59900157	1	LOWER GUIDE	
12	59900158	18	SCREW	
14	59900160	1	GUIDE	
15	59900161	1	GUIDE	
2	59901052	1	SEAT	
19	59901053	1	BACKREST	
3	59901056	1	SOSP.M97 C/REG.ALT. M5067.014	
4	59901102	1	BELLOWS	
5	59901103	1	KIT	
6	59901104	1	TAMPONE FINE CORSA (2011-320)	
7	59901105	1	SWITCH	
8	59901106	1	KNOB	
9	59901107	1	TAMPONE (2011-026)	
10	59901108	1	SHOCKS ABSORBER	
11	59901109	1	SPRING	
27	F0843643060	2	WASHER 8	
24	F0843755000	2	WASHER 10	

SERIAL  
START  
**916941**

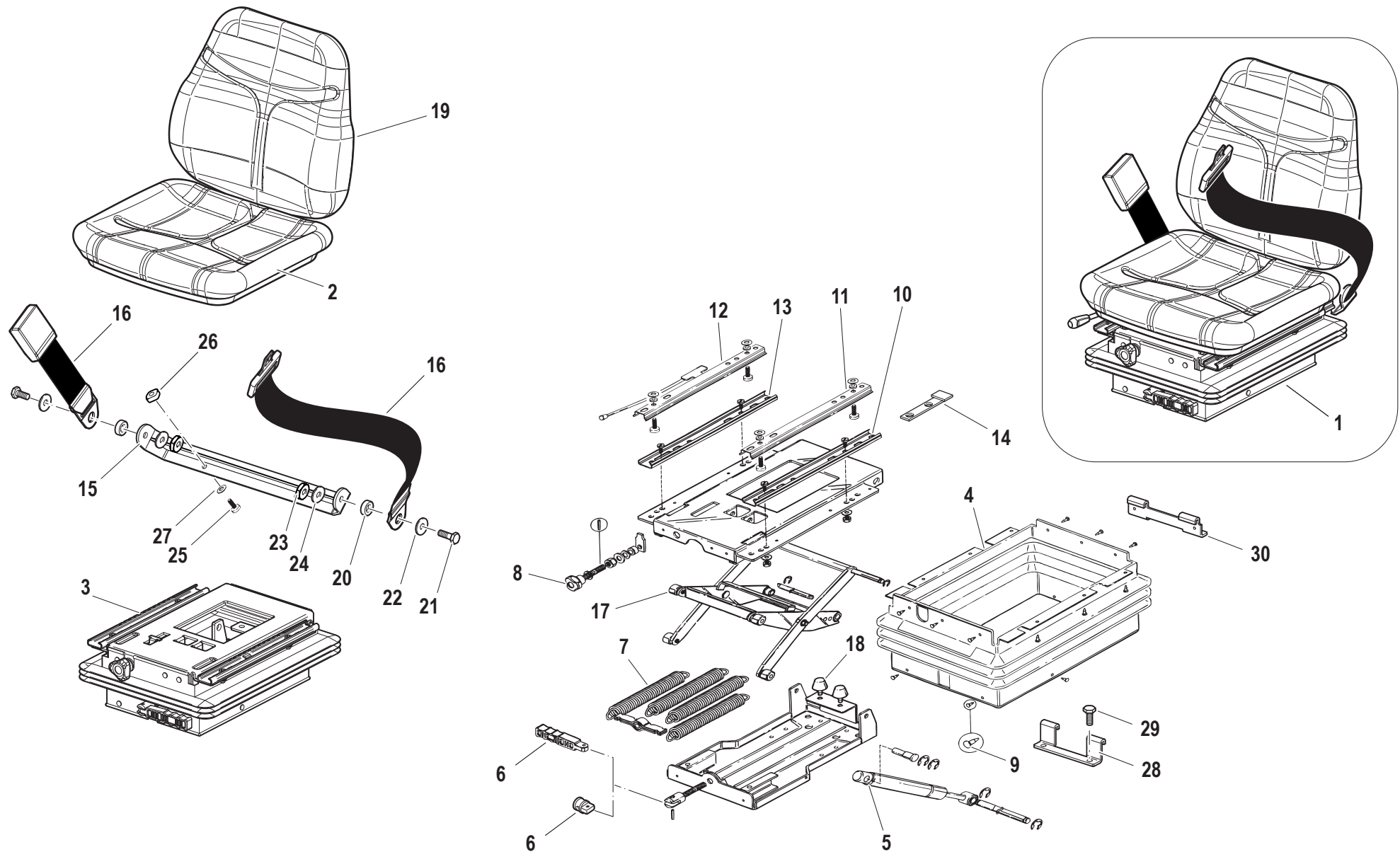
**STANDARD SEAT-PNEUMATIC SPRINGING SYSTEM**

CODE REV  
**B.09.02.L70001\_1**





Pos.	Code	Q.ty	Description	Notes
26	31112150	2	SCREW TE M8X20 UNI 5739 8G	
22	31112211	2	SCREW TE M10X30 UNI 5739	
20	31132566	4	SCREW TSVEI M8X20 UNI 5933	
30	31152081	2	SCREW TCEI M8X20 UNI 5931	
27	31211080	2	NUT M8	
24	31211100	2	NUT M10	
23	31411104	2	WASHER 10,5x18	
21	56079702	2	SPACER	
15	56177660	1	BRACKET	
29	56178697	1	PLATE	
1	58177378	1	SEAT	
16	58192377	1	SAFETY BELT	
14	59071241	1	STOP PLATE	
13	59900152	1	LOWER GUIDE	
8	59900153	1	KNOB	
7	59900154	4	SPRING	
6	59900155	1	LEVER	
5	59900156	1	SHOCKS ABSORBER	
10	59900157	1	LOWER GUIDE	
9	59900158	18	SCREW	
4	59900159	1	BELLOWS	
11	59900160	1	GUIDE	
12	59900161	1	GUIDE	
3	59901049	1	SUSPENSION	
2	59901054	1	SEAT	
19	59901055	1	BACKREST	
17	59901100	4	BUSHING	
18	59901101	2	STOP BUFFER	
28	F0843643060	2	WASHER 8	
25	F0843755000	2	WASHER 10	

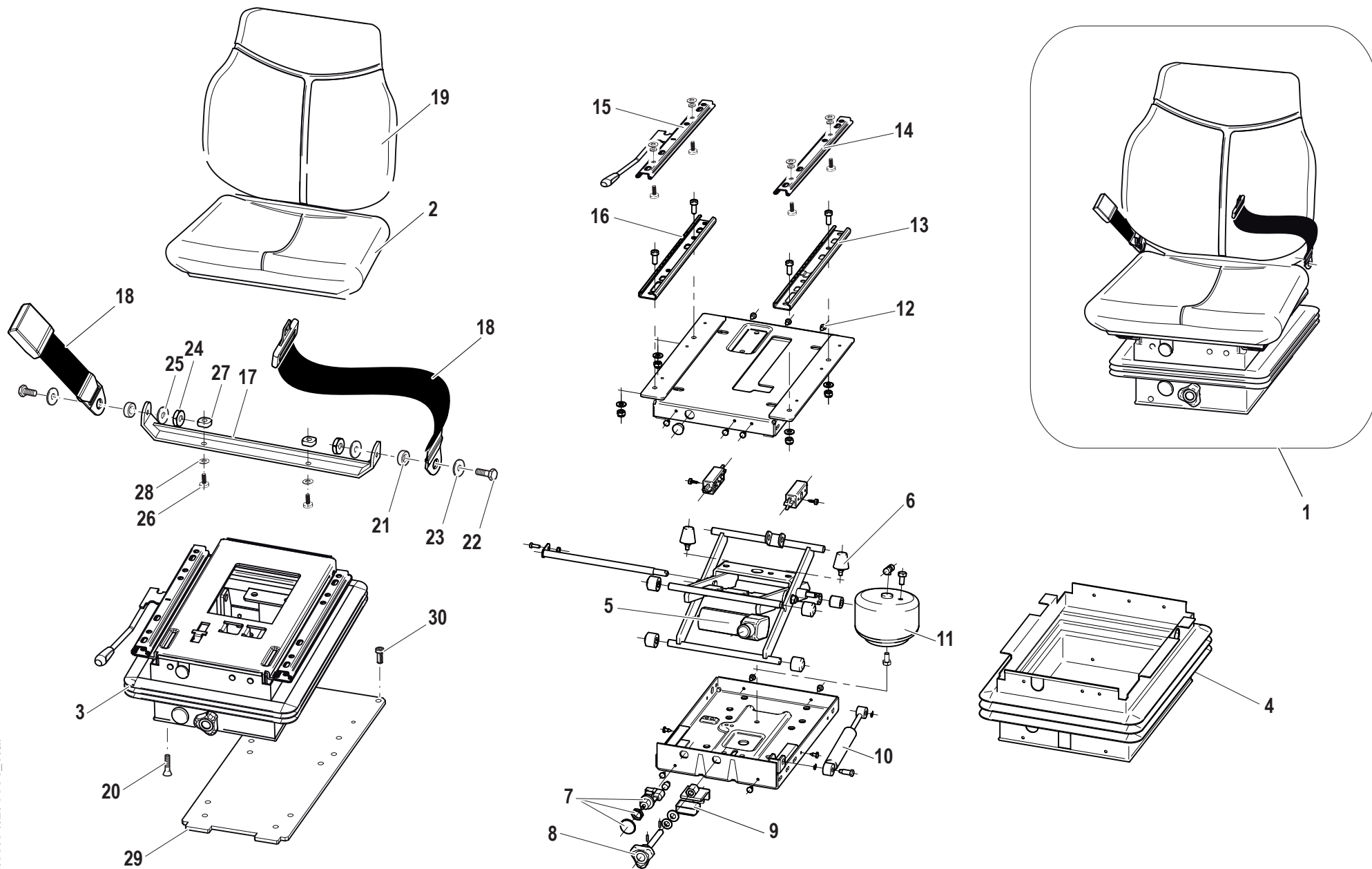


Pos.	Code	Q.ty	Description	Notes
29	31112148	2	SCREW TE M8X18 UNI 5739 8G	
25	31112150	2	SCREW TE M8X20 UNI 5739 8G	
21	31112211	2	SCREW TE M10X30 UNI 5739	
26	31211080	2	NUT M8	
23	31211100	2	NUT M10	
22	31411104	2	WASHER 10,5x18	
20	56079702	2	SPACER	
15	56177660N	1	BRACKET	
28	56179969	1	SEAT FASTENER	
30	561A0473	1	STOP	
1	58177378	1	SEAT	
16	58192377	1	SAFETY BELT	
14	59071241	1	STOP PLATE	
13	59900152	1	LOWER GUIDE	
8	59900153	1	KNOB	
7	59900154	4	SPRING	
6	59900155	1	LEVER	
5	59900156	1	SHOCKS ABSORBER	
10	59900157	1	LOWER GUIDE	
9	59900158	18	SCREW	
4	59900159	1	BELLOWS	
11	59900160	1	GUIDE	
12	59900161	1	GUIDE	
3	59901049	1	SUSPENSION	
2	59901052	1	SEAT	
19	59901053	1	BACKREST	
17	59901100	1	BUSHING	
18	59901101	1	STOP BUFFER	
27	F0843643060	2	WASHER 8	
24	F0843755000	2	WASHER 10	

# VERSION WITH CAB- SEAT-PNEUMATIC SPRINGING SYSTEM

SERIAL END 916940

B.09.04.L70001\_0



B.09.04.L70001\_0.ai

Pos.	Code	Q.ty	Description	Notes
26	31112150	2	SCREW TE M8X20 UNI 5739 8G	
22	31112211	2	SCREW TE M10X30 UNI 5739	
20	31132566	4	SCREW TSVEI M8X20 UNI 5933	
30	31152081	2	SCREW TCEI M8X20 UNI 5931	
27	31211080	2	NUT M8	
24	31211100	2	NUT M10	
23	31411104	2	WASHER 10,5x18	
21	56079702	2	SPACER	
17	56177660	1	BRACKET	
29	56178697	1	PLATE	
1	58177379	1	SEAT	
18	58192377	1	SAFETY BELT	
16	59900152	1	LOWER GUIDE	
13	59900157	1	LOWER GUIDE	
12	59900158	1	SCREW	
14	59900160	1	GUIDE	
15	59900161	1	GUIDE	
2	59901052	1	SEAT	
19	59901053	1	BACKREST	
3	59901056	1	SOSP.M97 C/REG.ALT. M5067.014	
4	59901102	1	BELLOWS	
5	59901103	1	KIT	
6	59901104	1	TAMPONE FINE CORSA (2011-320)	
7	59901105	4	SWITCH	
8	59901106	1	KNOB	
9	59901107	18	TAMPONE (2011-026)	
10	59901108	1	SHOCKS ABSORBER	
11	59901109	1	SPRING	
28	F0843643060	2	WASHER 8	
25	F0843755000	2	WASHER 10	

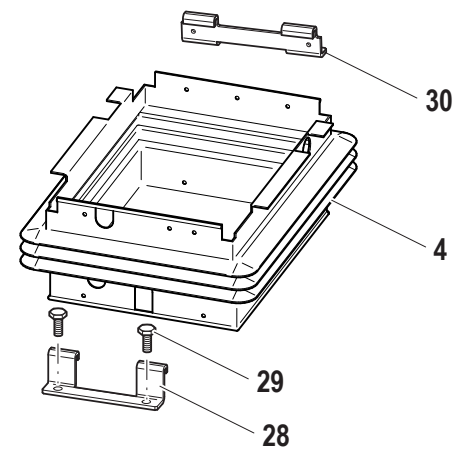
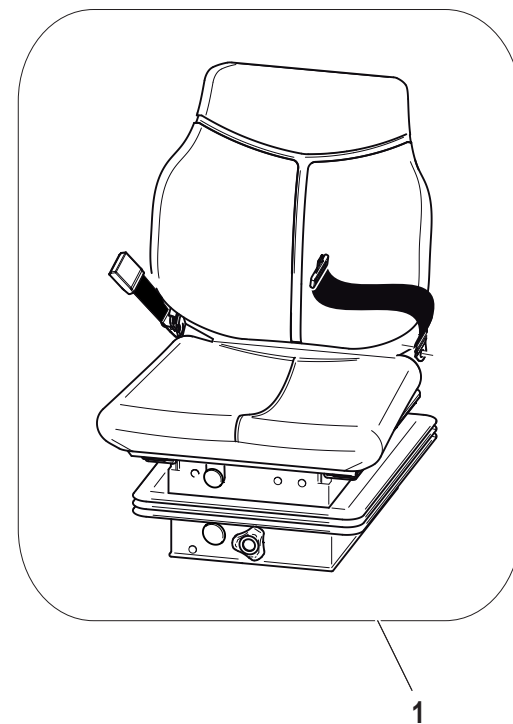
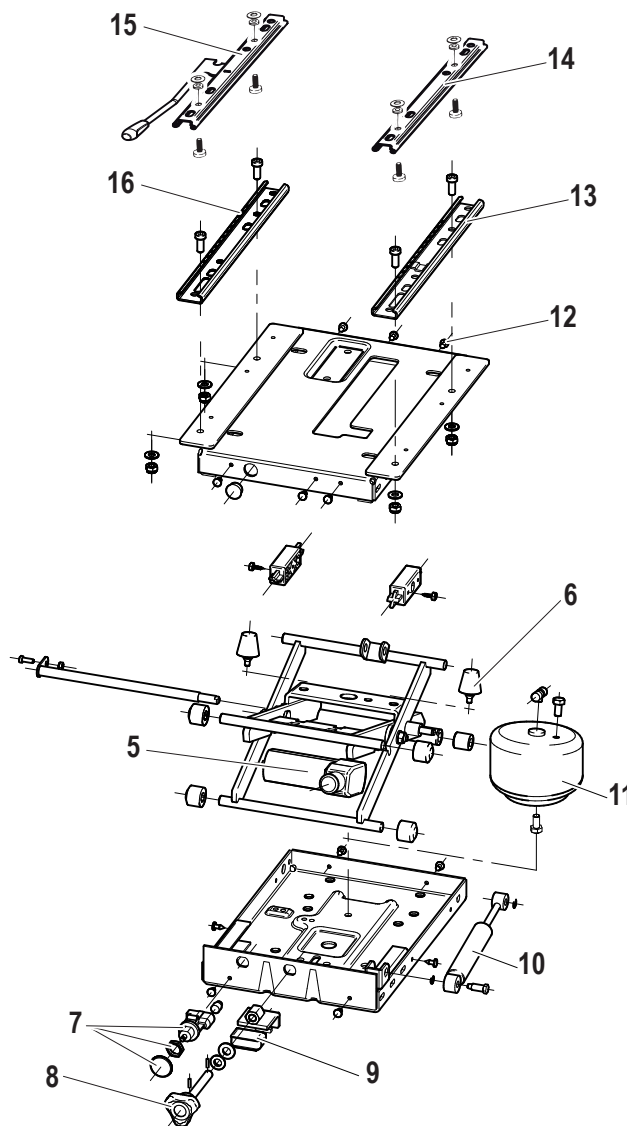
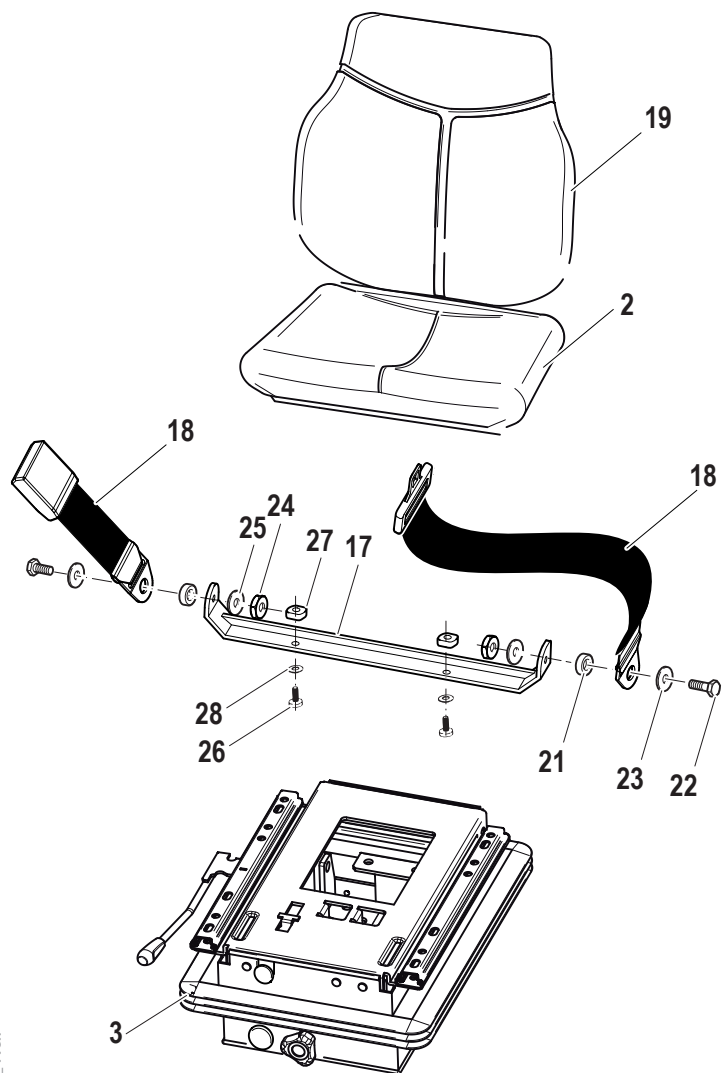
SERIAL  
END

916940

VERSION WITH CAB- SEAT-PNEUMATIC SPRINGING SYSTEM

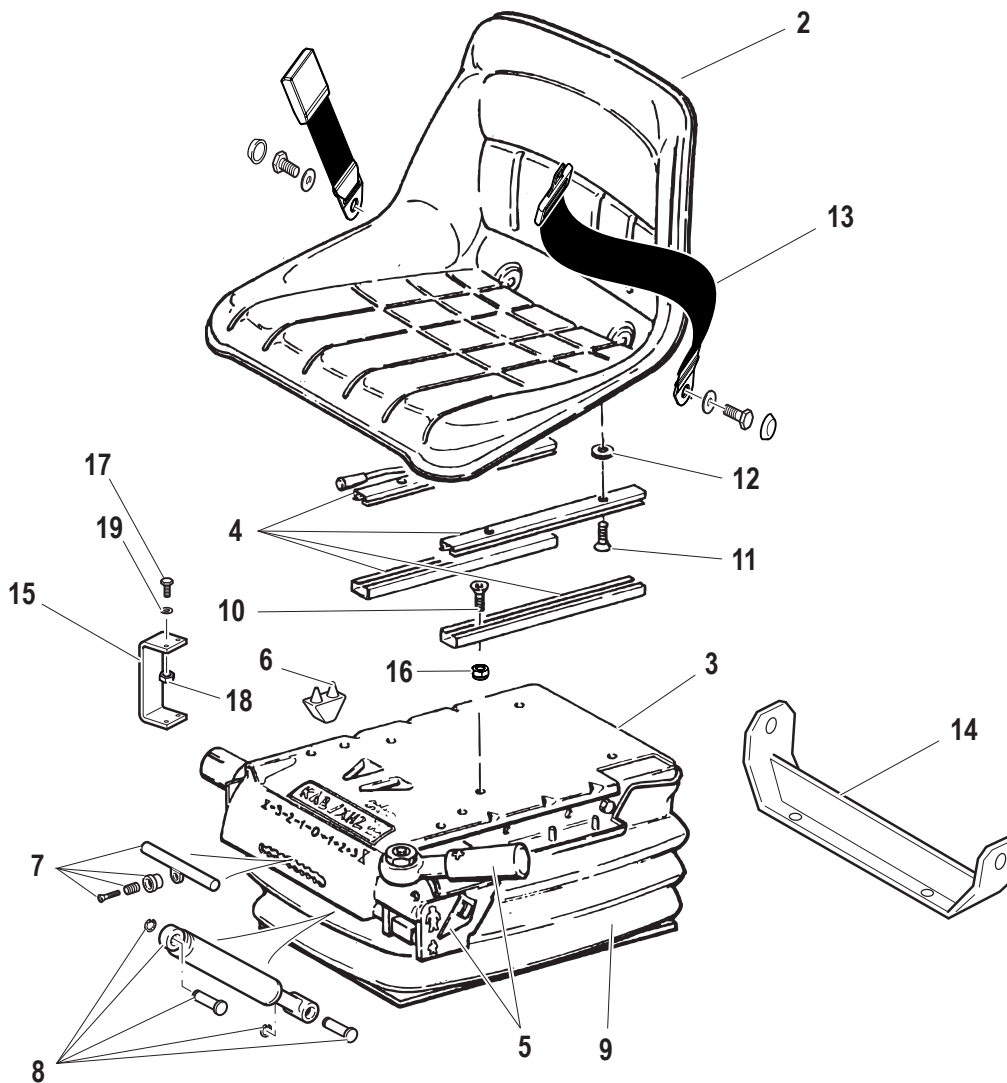
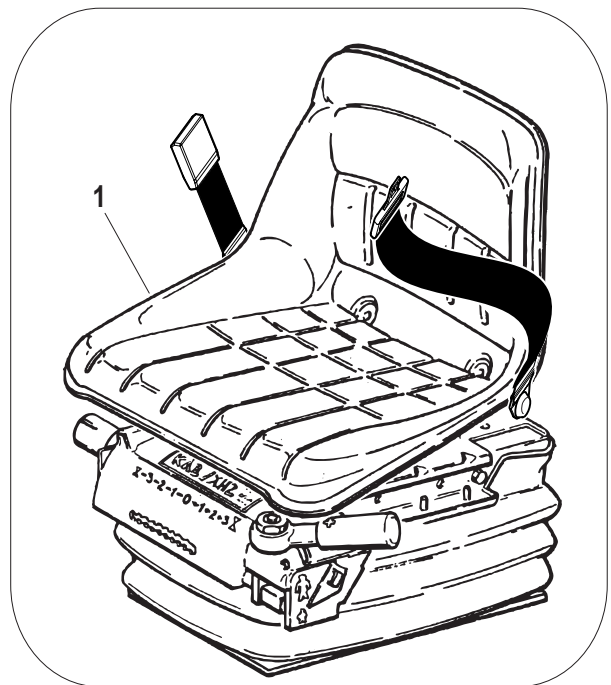
CODE REV

B.09.04.L70001\_0



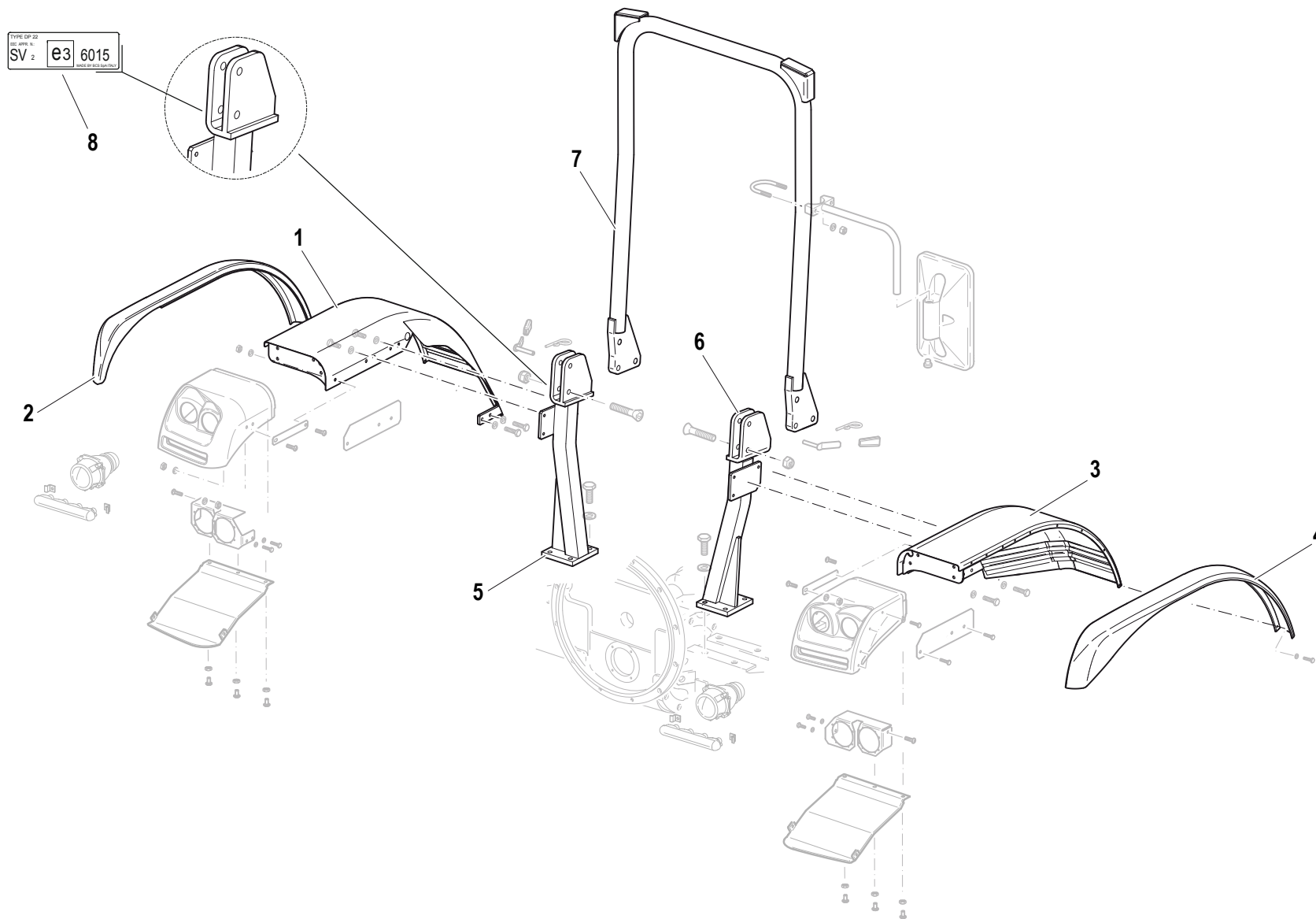
Pos.	Code	Q.ty	Description	Notes
29	31112148	2	SCREW TE M8X18 UNI 5739 8G	
25	31112150	2	SCREW TE M8X20 UNI 5739 8G	
21	31112211	2	SCREW TE M10X30 UNI 5739	
26	31211080	2	NUT M8	
23	31211100	2	NUT M10	
22	31411104	2	WASHER 10,5x18	
20	56079702	2	SPACER	
17	56177660	1	BRACKET	
28	56179971	1	SEAT FASTENER	
30	56179972	1	SEAT FASTENER	
1	58177379	1	SEAT	
18	58192377	1	SAFETY BELT	
16	59900152	1	LOWER GUIDE	
13	59900157	1	LOWER GUIDE	
12	59900158	1	SCREW	
14	59900160	1	GUIDE	
15	59900161	1	GUIDE	
2	59901052	1	SEAT	
19	59901053	1	BACKREST	
3	59901056	1	SOSP.M97 C/REG.ALT. M5067.014	
4	59901102	1	BELLOWS	
5	59901103	1	KIT	
6	59901104	1	TAMPONE FINE CORSA (2011-320)	
7	59901105	4	SWITCH	
8	59901106	1	KNOB	
9	59901107	18	TAMPONE (2011-026)	
10	59901108	1	SHOCKS ABSORBER	
11	59901109	1	SPRING	
27	F0843643060	2	WASHER 8	
24	F0843755000	2	WASHER 10	





Pos.	Code	Q.ty	Description	Notes
10	31111151	1	SCREW TE M8X16 UNI 5739 8G	
17	31112082	1	SCREW TE M6X12 UNI 5739 8G	
18	31211060	4	HEXAGONAL NUT M8	
14	56178591	1	BRACKET	
15	56179520	1	SUPPORTING YOKE	
4	58173437	1	SEAT GUIDE	
13	58192377	1	SAFETY BELT	
5	59900183	1	CONTROL	
6	59900184	1	LIMITER	
7	59900185	4	CONTROL	
8	59900186	1	SHOCKS ABSORBER	
9	59900187	18	BELLOWS	
1	59900199	1	SEAT	
2	F0150036216	1	SEAT CAVITY	
3	F0150036219	1	SPRING	
16	F0814569000	1	NUT	
19	F0843570000	2	WASHER 6	
12	F0843696000	1	WASHER	
11	F0862495010	1	SCREW	

# FRONT MODGUARDS - STD



Pos.	Code	Q.ty	Description	Notes
16	30000514	1	REAR VIEW MIRROR	
7	31112264	8	SCREW TE M12X35 UNI 5739	
3	57377871	1	WING EXTENSION	
4	57377872	1	WING EXTENSION	
17	58079514	1	TARGH.OMOLOG.ARCO PROT.75-95DS	
15	58170968	1	PLUG	
14	59070591	1	SUPPORT	
5	59076615	1	SUPPORT	
6	59076617	1	SUPPORT	
9	59076690	2	HINGE PIN	
8	59077412	1	SAFETY ROLL BAR	
1	59077834	1	LEFT FRONT FENDER	
2	59077837	1	RIGHT FRONT FENDER	
13	F0814794000	2	SELFLOCK NUT M16 CL.6	
12	F0864377000	2	SCREW M16X70 UNI 5737	
11	P439149000000	2	SPLIT PIN	
10	P917280000000	2	GRIP	

SERIAL  
END

916940

FRONT MODGUARDS - STD

CODE REV

B.13.01.L70001\_0

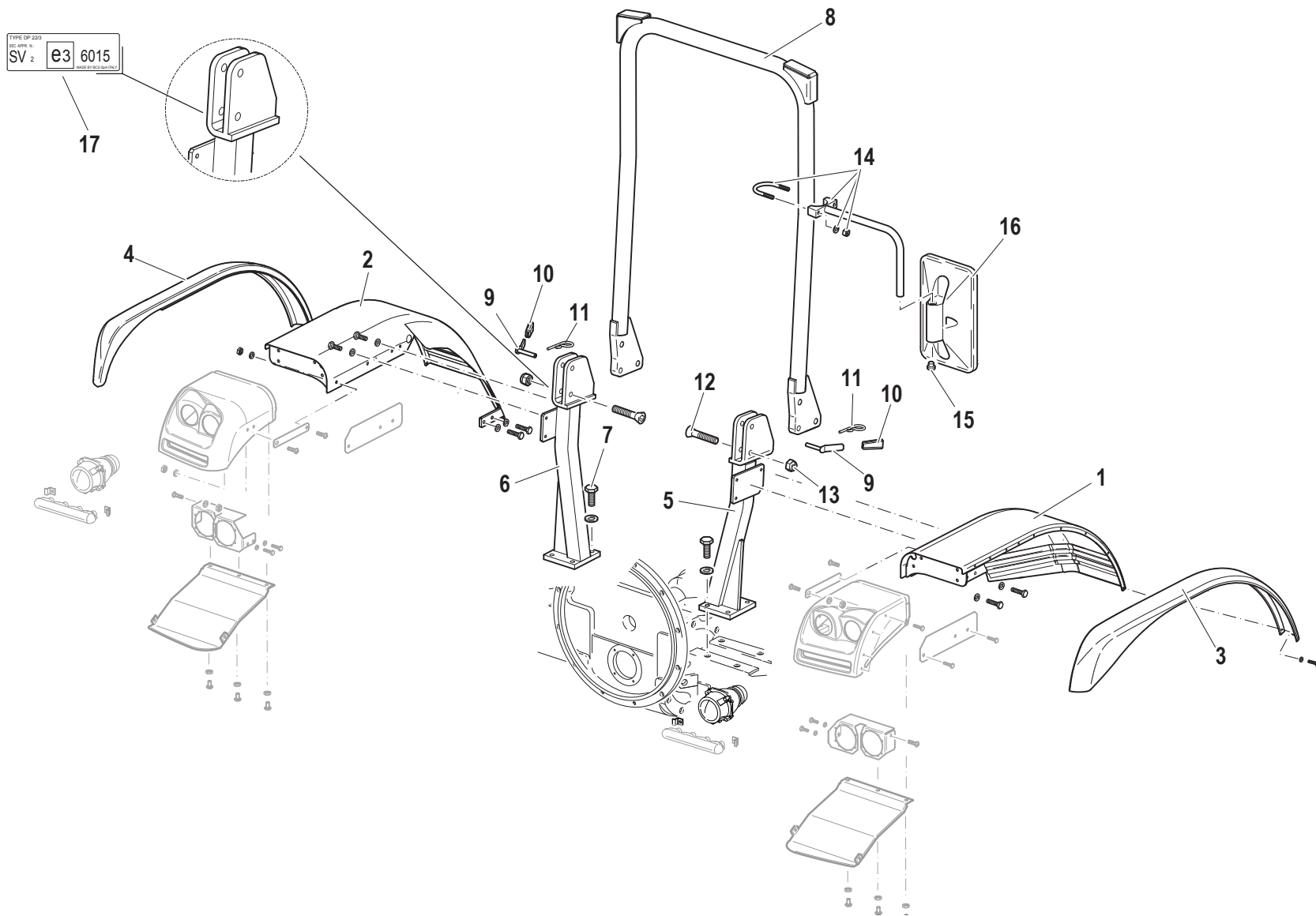


# FRONT MODGUARDS- STD

CODE REV

SERIAL START 916941

B.13.01.L70001\_1



Pos.	Code	Q.ty	Description	Notes
16	30000514	1	REAR VIEW MIRROR	
7	31112264	8	SCREW TE M12X35 UNI 5739	
3	57377871	1	WING EXTENSION	
4	57377872	1	WING EXTENSION	
17	580A0317	1	PLATE	
15	58170968	1	PLUG	
14	59070591	1	SUPPORT	
5	59076615	1	SUPPORT	
6	59076617	1	SUPPORT	
9	59076690	2	HINGE PIN	
8	59077412	1	SAFETY ROLL BAR	
1	59077817V	1	LEFT FRONT FENDER	
2	59077823V	1	RIGHT FRONT FENDER	
13	F0814794000	2	SELFLOCK NUT M16 CL.6	
12	F0864377000	2	SCREW M16X70 UNI 5737	
11	P439149000000	2	SPLIT PIN	
10	P917280000000	2	GRIP	

SERIAL  
START  
**916941**

**FRONT MODGUARDS- STD**

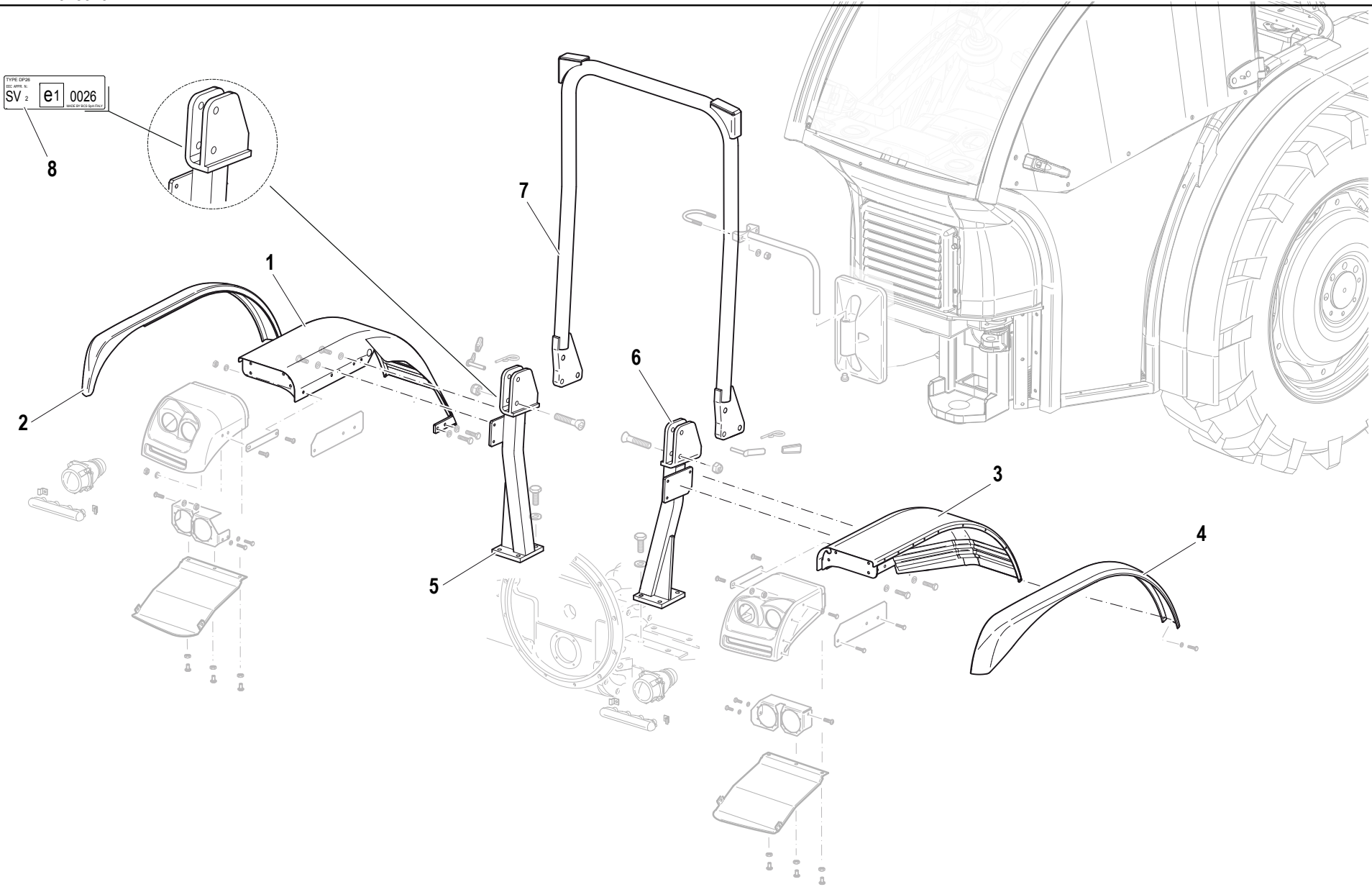
CODE REV

**B.13.01.L70001\_1**

# FRONT MODGUARDS - VERSION WITH COMPACT CAB

SERIAL END 916940

**B.13.02.L70001\_0**



Pos.	Code	Q.ty	Description	Notes
16	30000514	1	REAR VIEW MIRROR	
7	31112264	8	SCREW TE M12X35 UNI 5739	
4	57377873	1	WING EXTENSION	
3	57377874	1	WING EXTENSION	
17	58079513	1	PLATE	
15	58170968	1	PLUG	
14	59070591	1	SUPPORT	
5	59076615	1	SUPPORT	
6	59076617	1	SUPPORT	
9	59076690	2	HINGE PIN	
8	59077412	1	SAFETY ROLL BAR	
2	59077840	1	LEFT FRONT FENDER	
1	59077843	1	RIGHT FRONT FENDER	
13	F0814794000	2	SELFLOCK NUT M16 CL.6	
12	F0864377000	2	SCREW M16X70 UNI 5737	
11	P439149000000	2	SPLIT PIN	
10	P917280000000	2	GRIP	

SERIAL  
END

916940

**FRONT MODGUARDS - VERSION WITH COMPACT CAB**

CODE REV

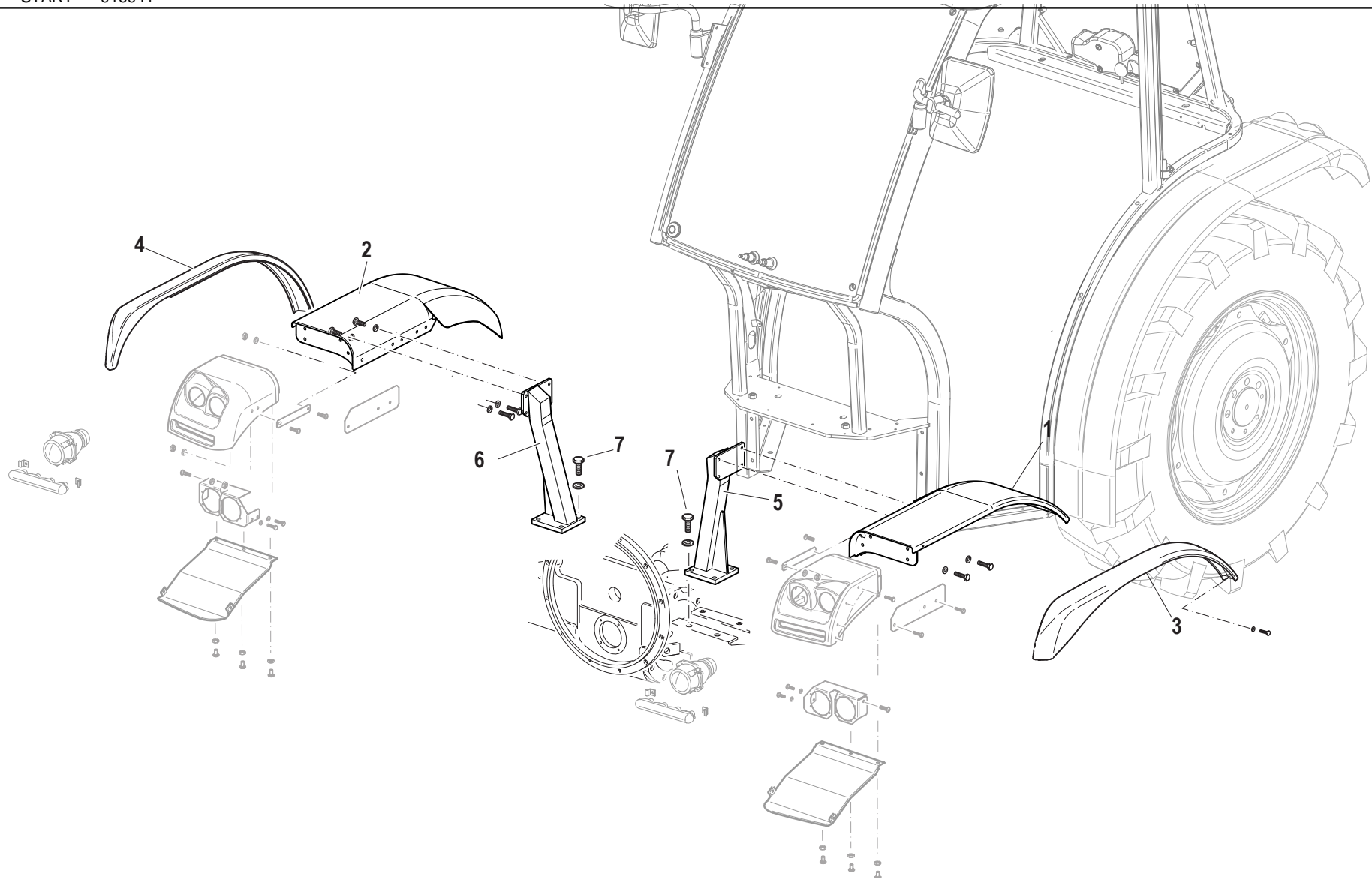
**B.13.02.L70001\_0**



# FRONT MODGUARDS - VERSION WITH COMPACT CAB

SERIAL START 916941

**B.13.02.L70001\_1**

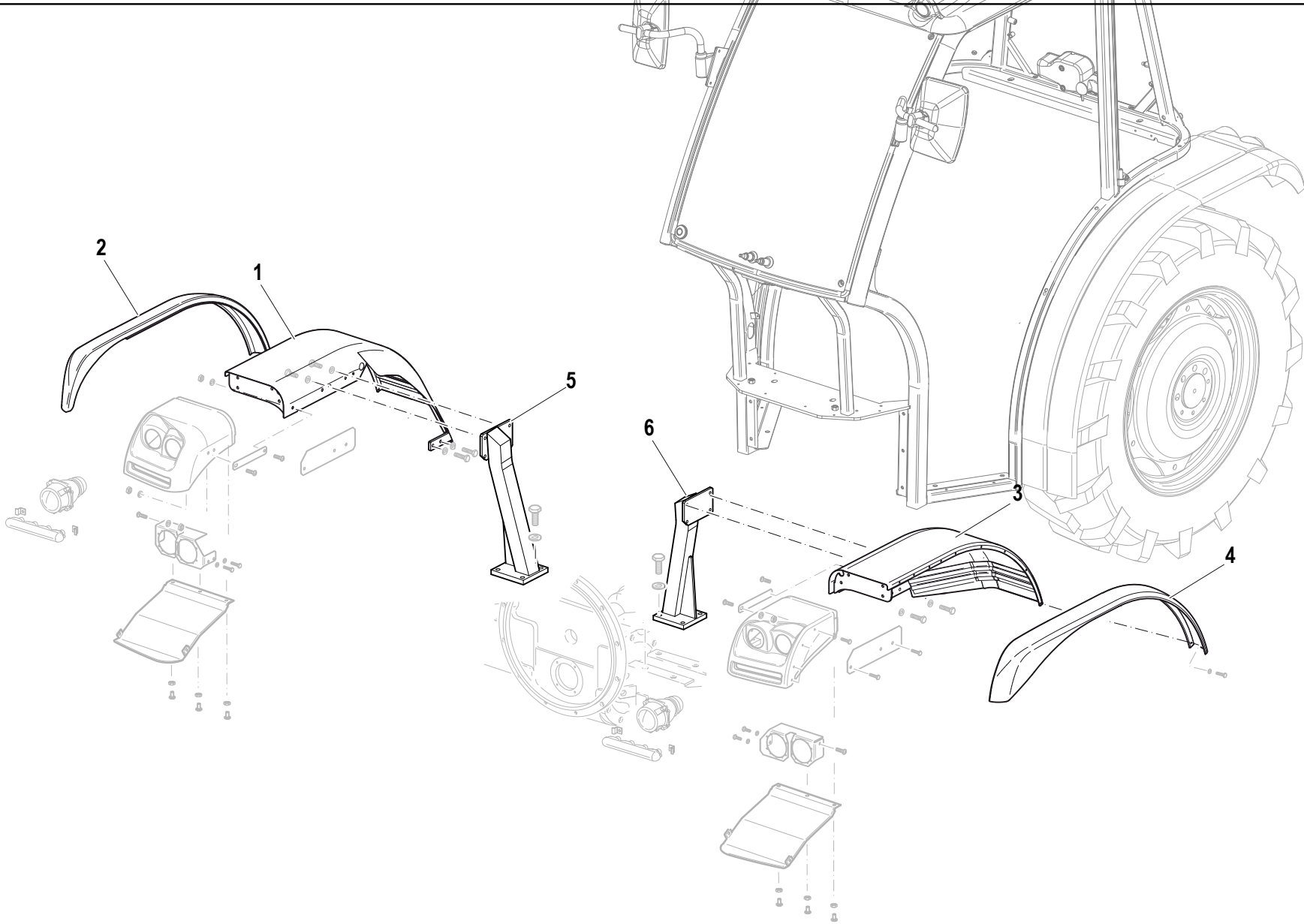


Pos.	Code	Q.ty	Description	Notes
7	31112264	8	SCREW TE M12X35 UNI 5739	
3	57377873	1	WING EXTENSION	
4	57377874	1	WING EXTENSION	
5	59077057	1	WING HOLDER	
6	59077113	1	SUPPORT	
1	59077840	1	LEFT FRONT FENDER	
2	59077843	1	RIGHT FRONT FENDER	

FRONT MODGUARDS - VERSION WITH HIGH CAB

SERIAL END 916940

B.13.03.L70001\_0



Pos.	Code	Q.ty	Description	Notes
7	31112264	8	SCREW TE M12X35 UNI 5739	
3	57377873	1	WING EXTENSION	
4	57377874	1	WING EXTENSION	
5	59077057	1	WING HOLDER	
6	59077113	1	SUPPORT	
1	59077840	1	LEFT FRONT FENDER	
2	59077843	1	RIGHT FRONT FENDER	

SERIAL  
END

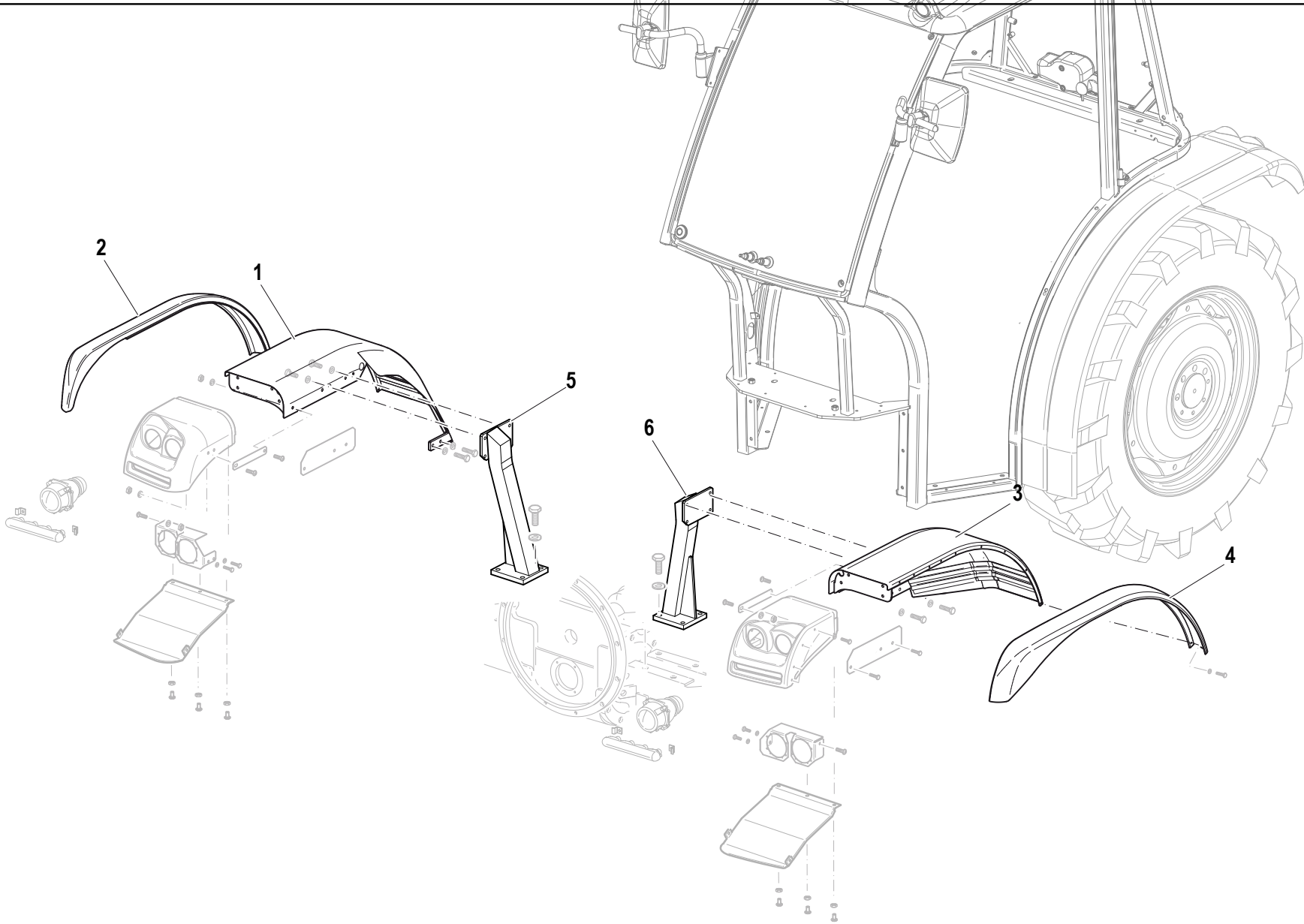
916940

**FRONT MODGUARDS - VERSION WITH HIGH CAB**

CODE REV

**B.13.03.L70001\_0**

FRONT MODGUARDS - VERSION WITH HIGH CAB



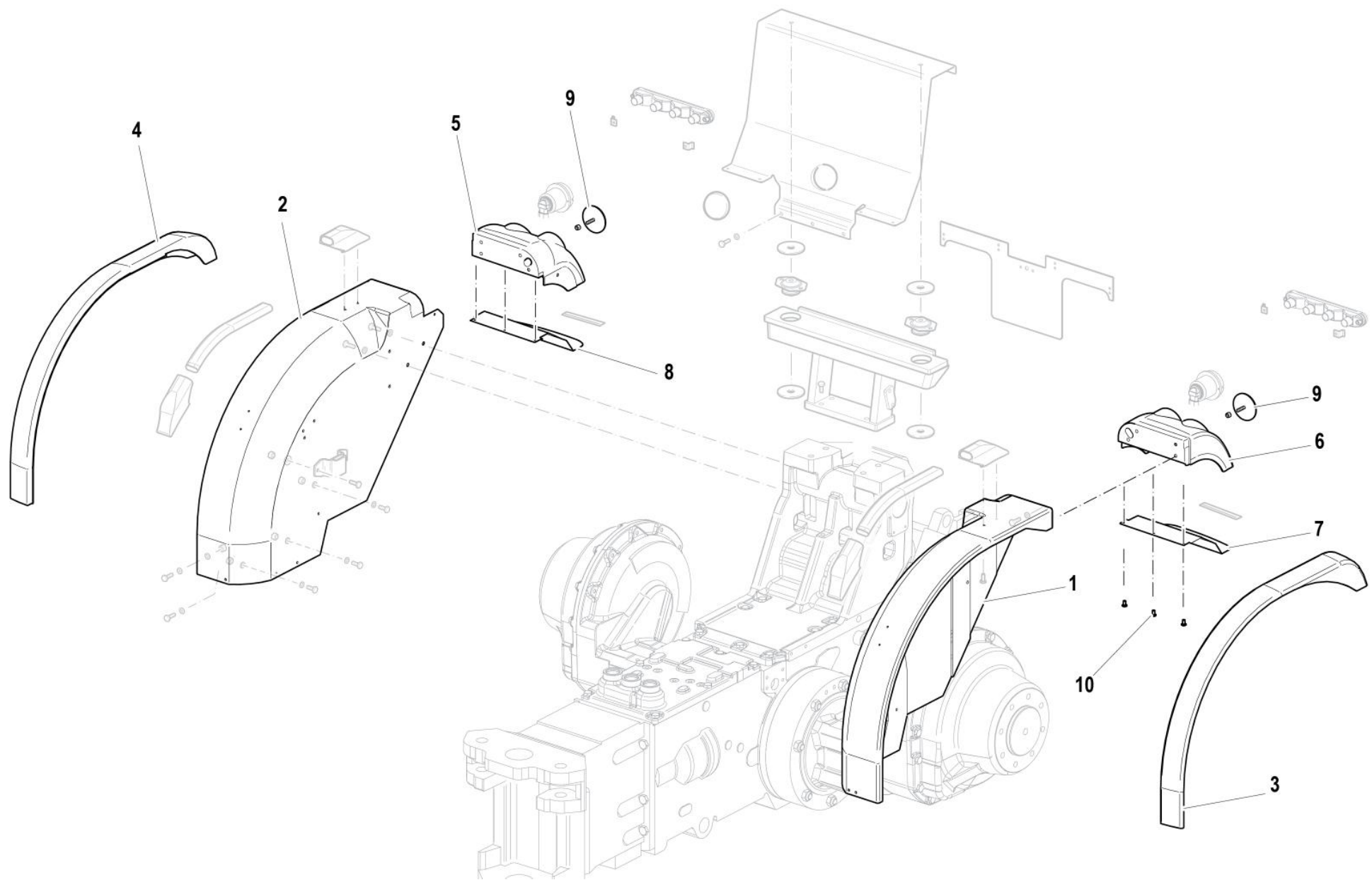
Pos.	Code	Q.ty	Description	Notes
7	31112264	8	SCREW TE M12X35 UNI 5739	
3	57377873	1	WING EXTENSION	
4	57377874	1	WING EXTENSION	
5	59077057	1	WING HOLDER	
6	59077113	1	SUPPORT	
1	59077840	1	LEFT FRONT FENDER	
2	59077843	1	RIGHT FRONT FENDER	

SERIAL  
START  
**916941**

**FRONT MODGUARDS - VERSION WITH HIGH CAB**

CODE REV  
**B.13.03.L70001\_1**

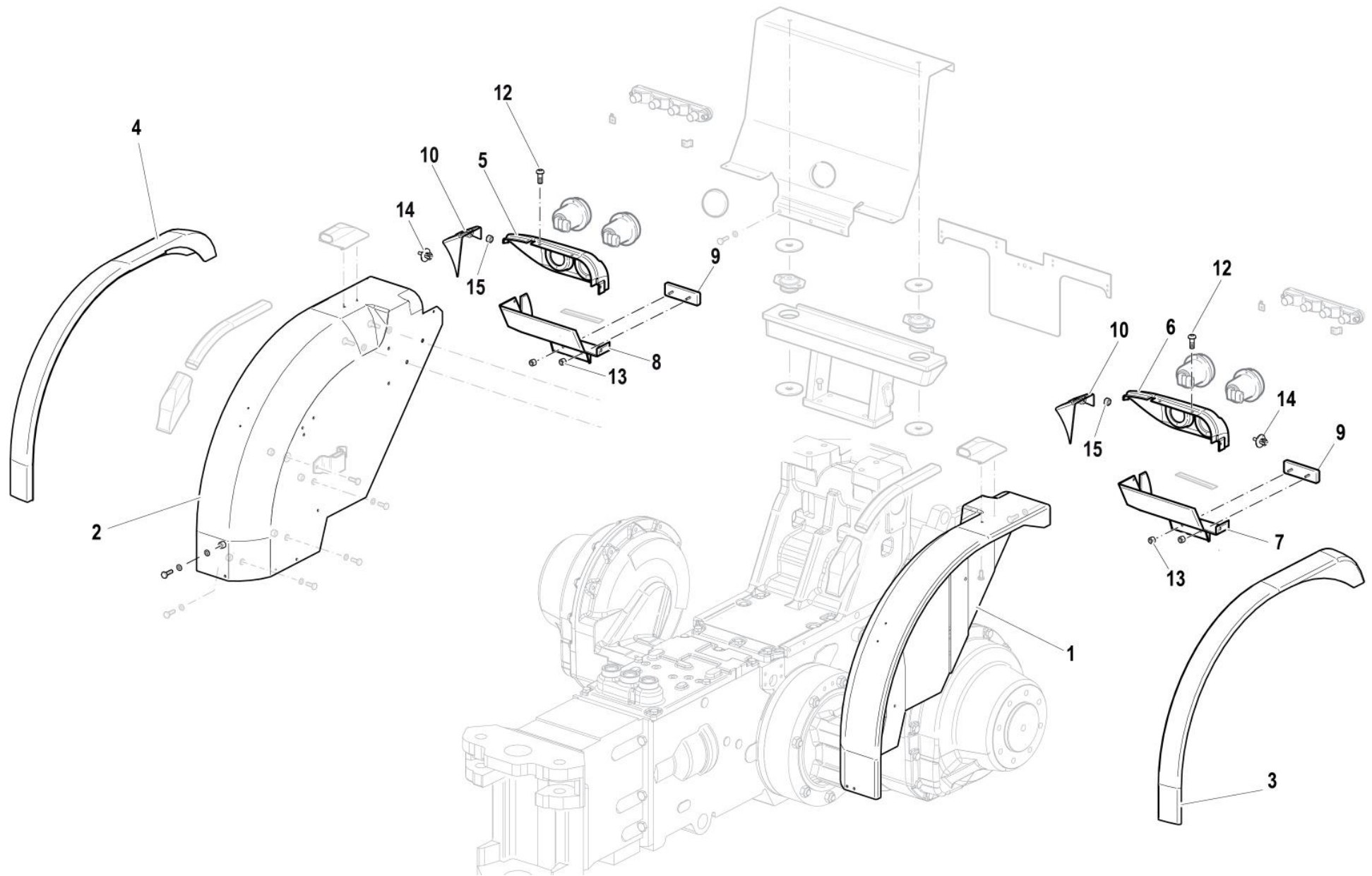
# REAR MODGUARDS - STD



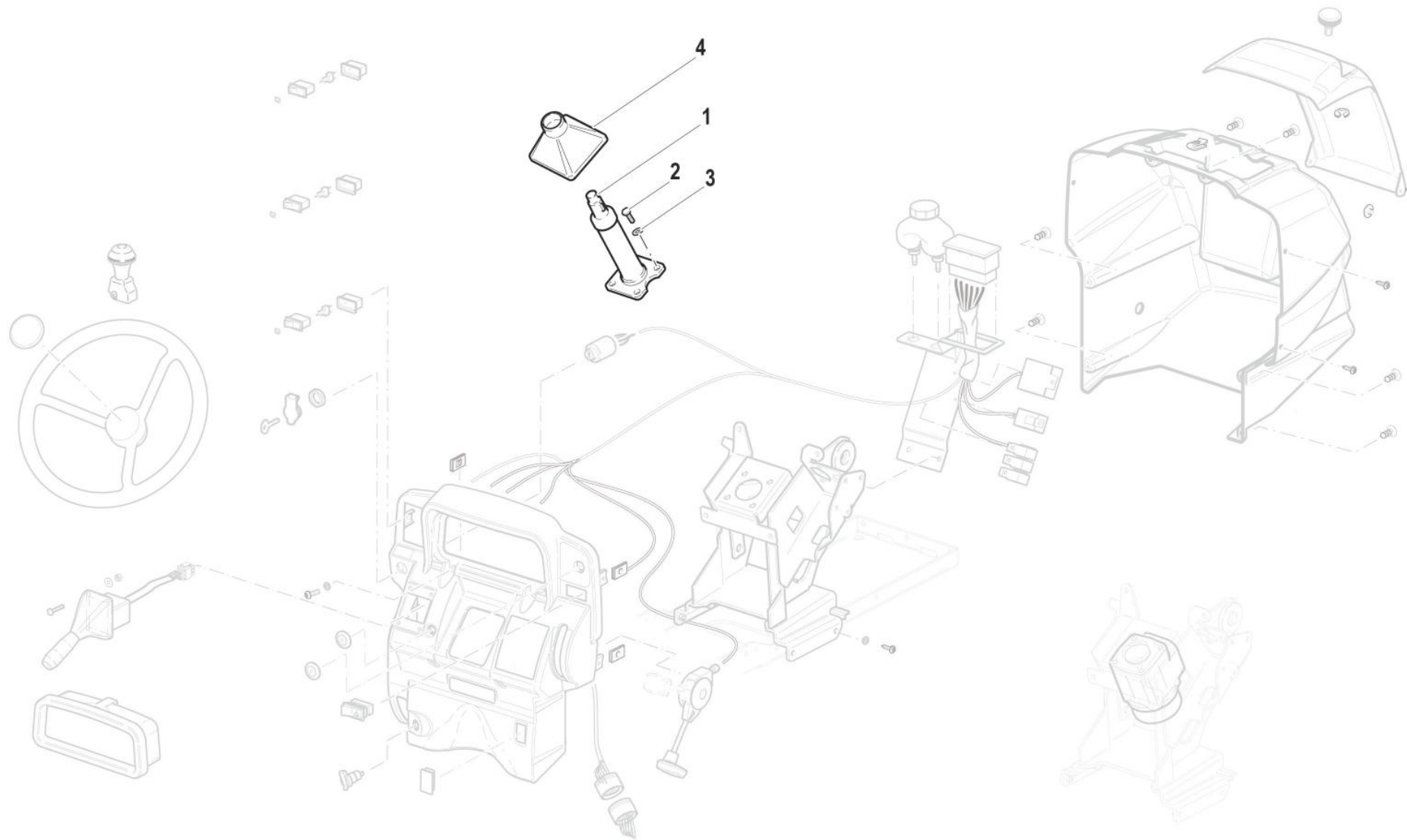
Pos.	Code	Q.ty	Description	Notes
8	56176907	1	COVER	
7	56176908	1	COVER	
5	57376623	1	SUPPORT	
6	57376624	1	SUPPORT	
4	57378964	1	WING EXTENSION	
3	57378965	1	WING EXTENSION	
9	58177330	2	REFLECTOR	
2	59278870V	1	PAR.POST.DX 75-95-SDT-VERDE	
1	59278871V	1	PAR.POST.SX 75-95-SDT-VERDE	



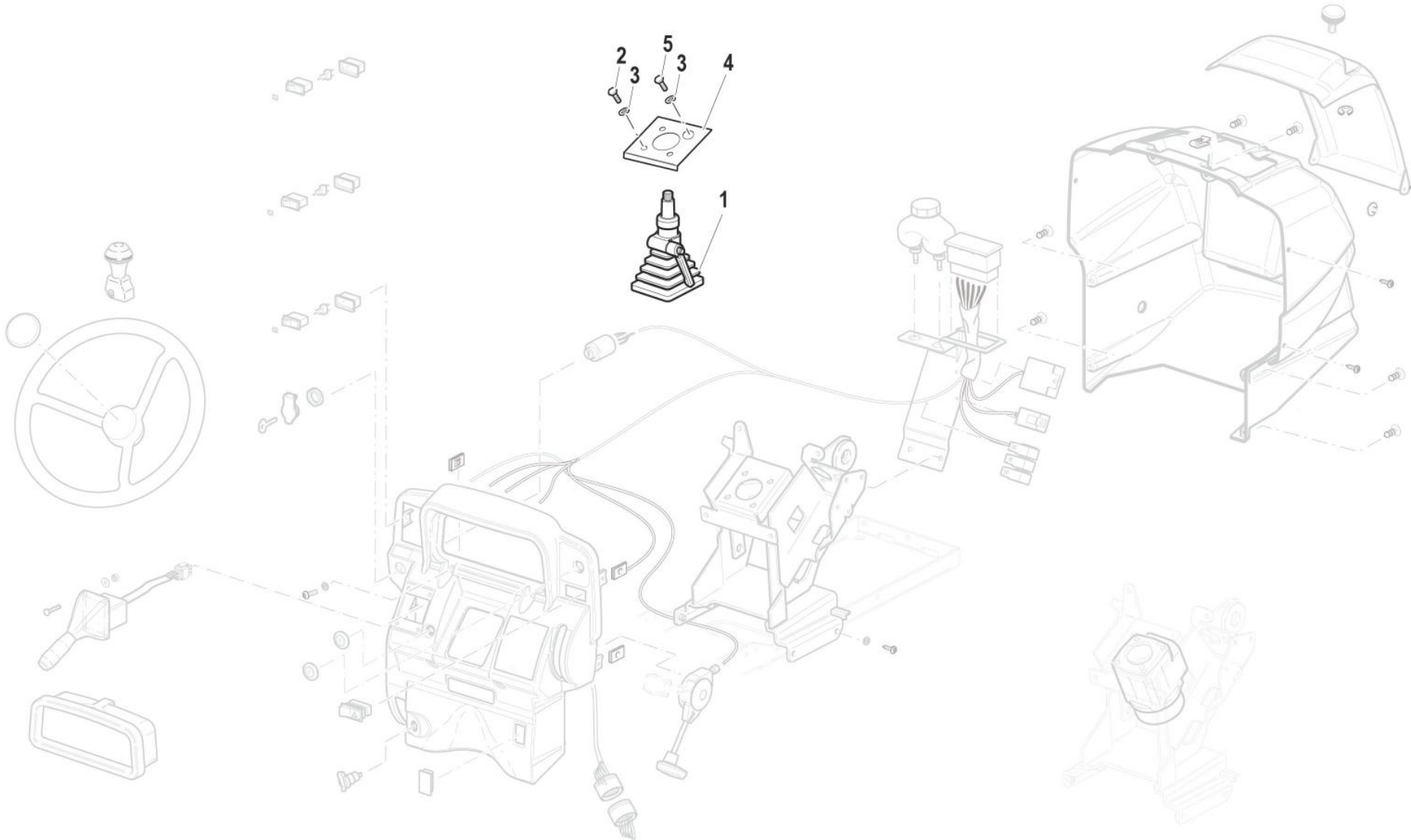
# REAR MODGUARDS - SUD



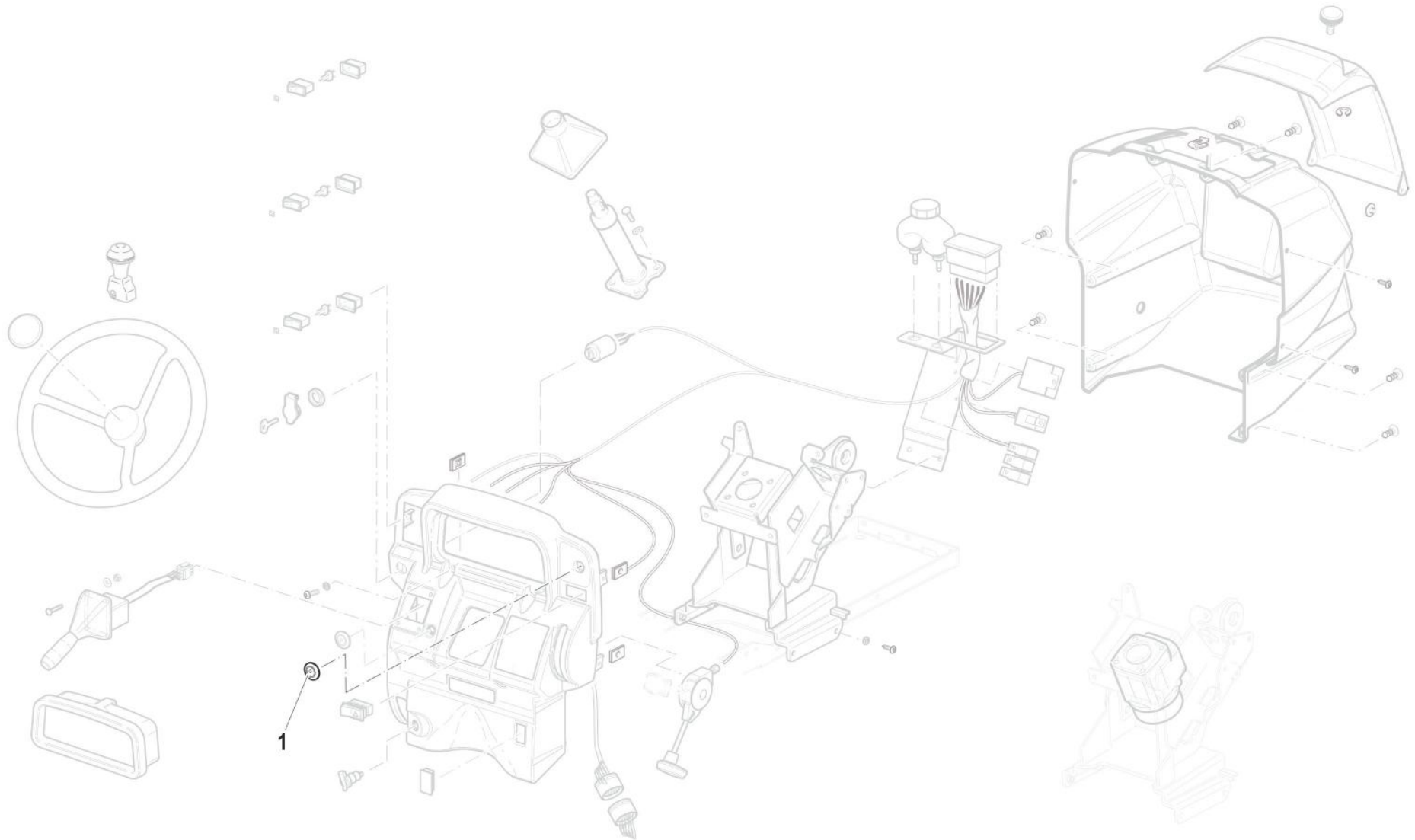
Pos.	Code	Q.ty	Description	Notes
12	31121006	10	SCREW TBCEI M6X16 ISO 7380	
13	31211050	4	NUT M5	
10	573A0396	1	FASTENER	
11	573A0397	1	FASTENER	
6	573A0400	1	SUPPORT	
5	573A0401	1	SUPPORT	
3	573A0402	1	WING EXTENSION	
4	573A0403	1	WING EXTENSION	
9	581A0492	2	REFLECTOR	
7	590A0398	1	SHEET	
8	590A0399	1	SHEET	
2	592A0406V	1	RIGHT REAR FENDER	
1	592A0407V	1	LEFT REAR FENDER	
15	F0814547000	6	SELFLOCK NUT M6	
14	P241154000000	4	RIVET	



Pos.	Code	Q.ty	Description	Notes
2	31112219	4	SCREW TE M10X25 UNI 5739	
4	57379002	1	COVER	
3	F0843755000	4	WASHER 10	
1	F0865475000	1	SMALL COLUMN	

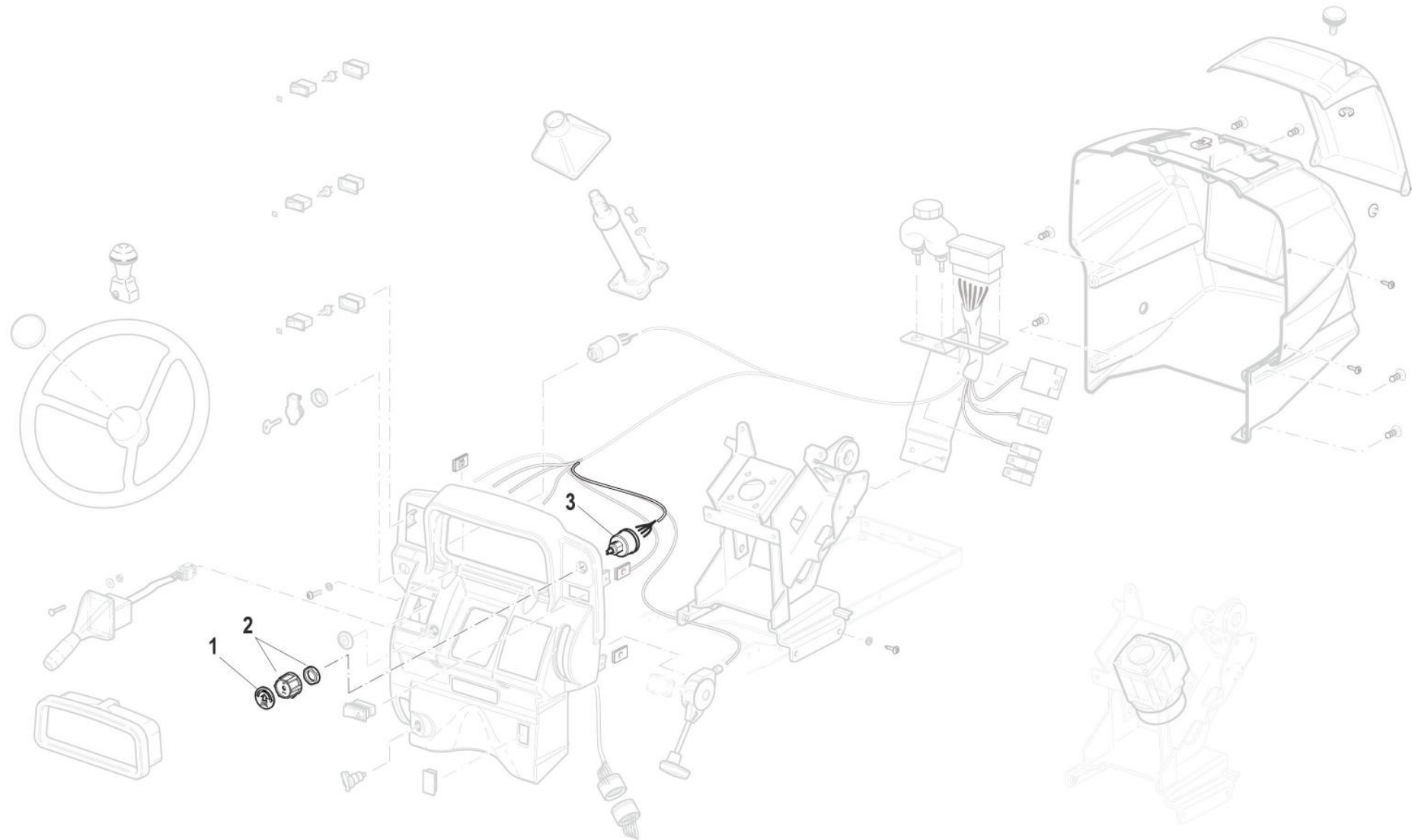


<b>Pos.</b>	<b>Code</b>	<b>Q.ty</b>	<b>Description</b>	<b>Notes</b>
5	31112210	1	SCREW TE M10X20 UNI 5739	
2	31112219	3	SCREW TE M10X25 UNI 5739	
4	56178768	1	SHEET	
1	581A0379	1	UNIT	
3	F0843755000	4	WASHER 10	

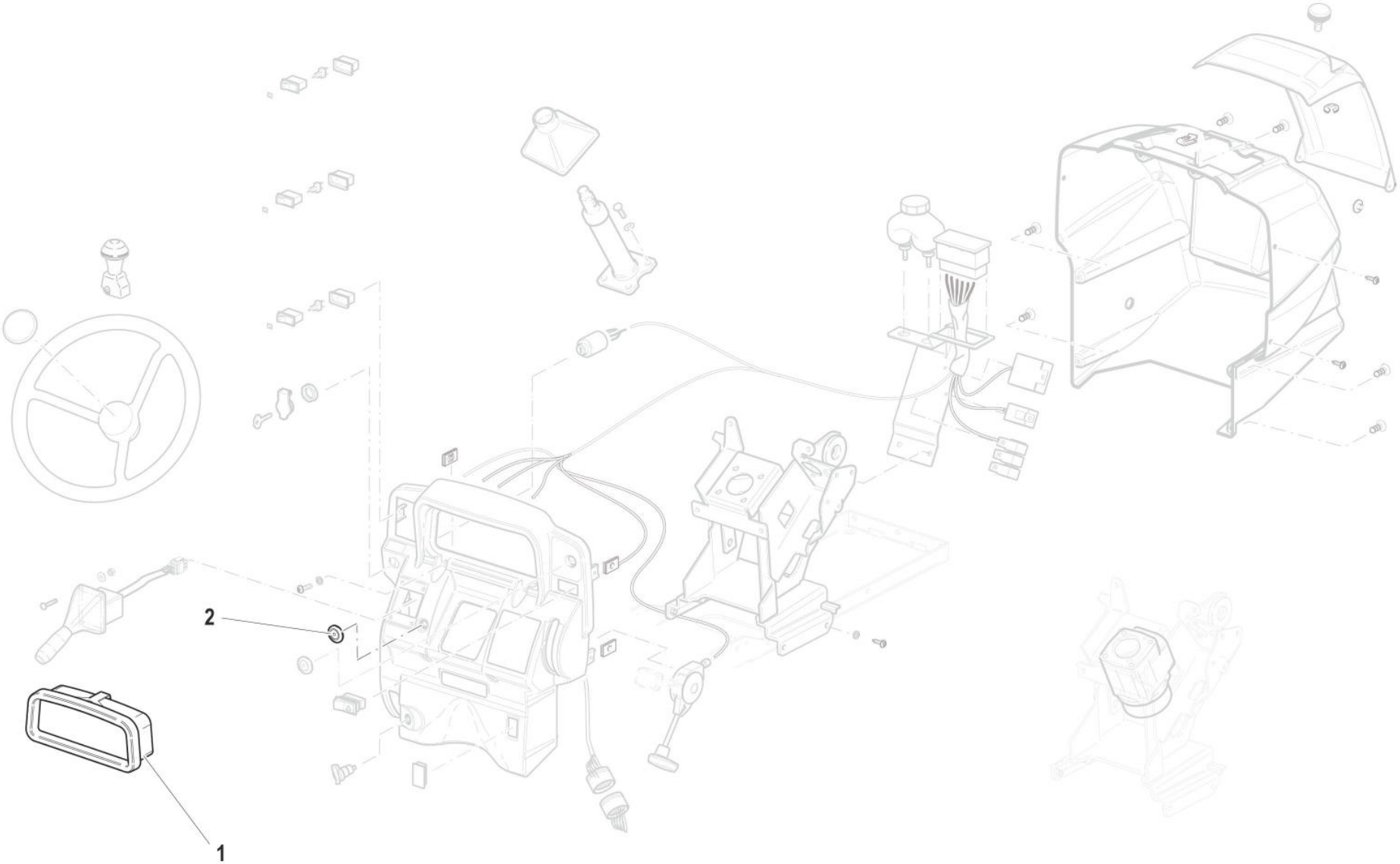


Pos.	Code	Q.ty	Description	Notes
1	58179014	1	PLUG	

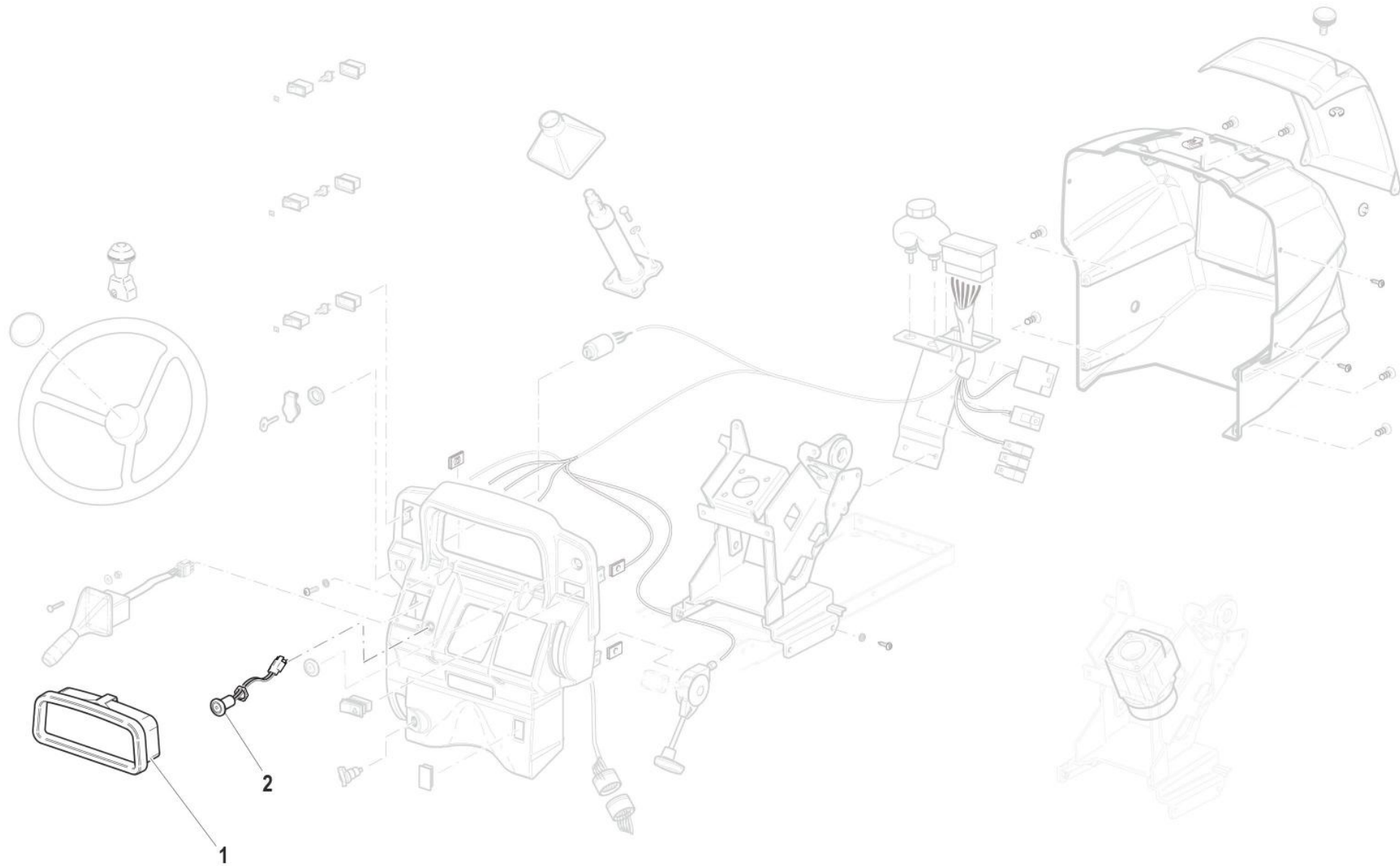




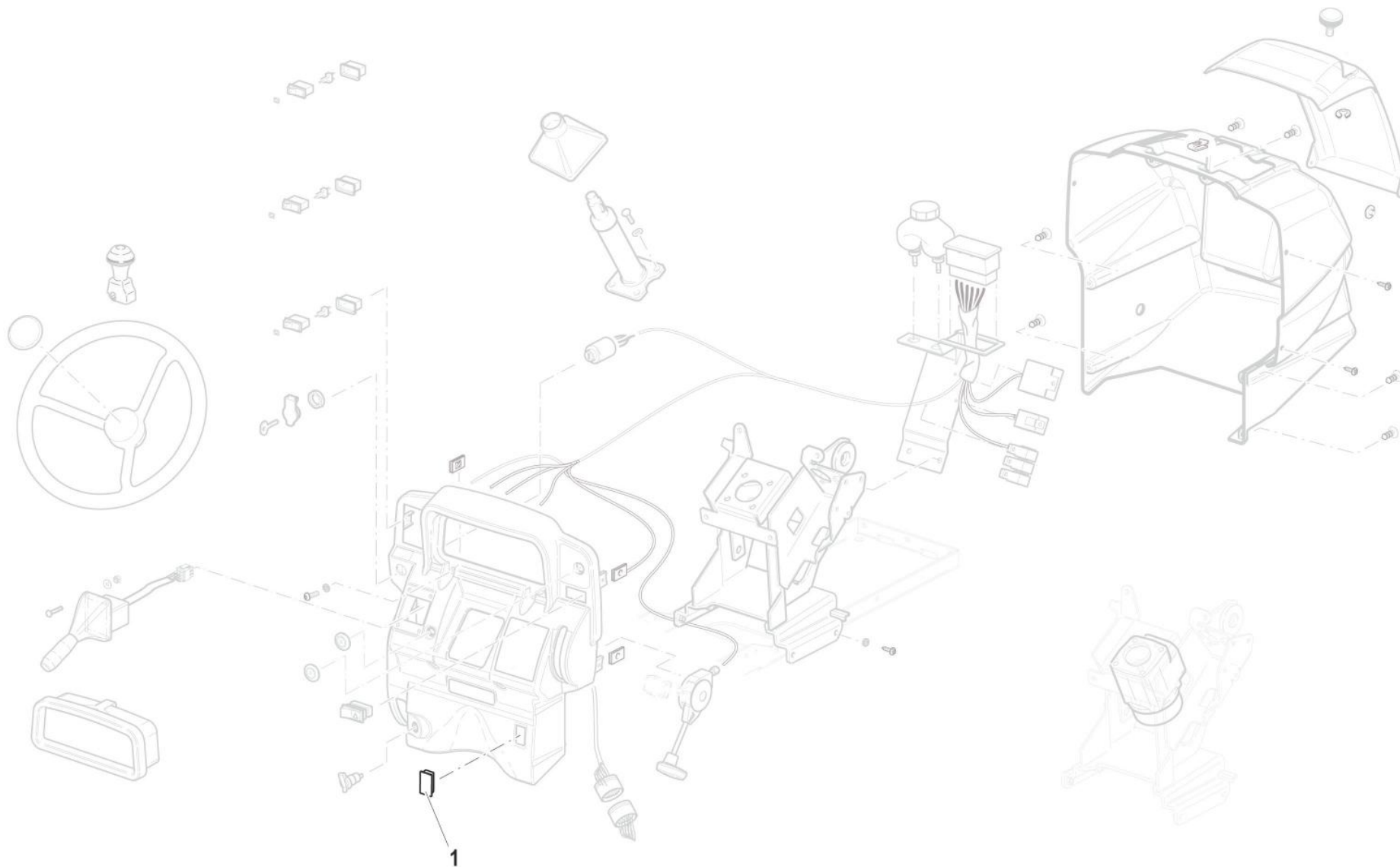
Pos.	Code	Q.ty	Description	Notes
1	58176826	1	COVER	
2	58176834	1	KNOB	
3	58176853	1	SWITCH	



Pos.	Code	Q.ty	Description	Notes
2	58177657	1	PLUG	
1	581A0039	1	GAUGE	

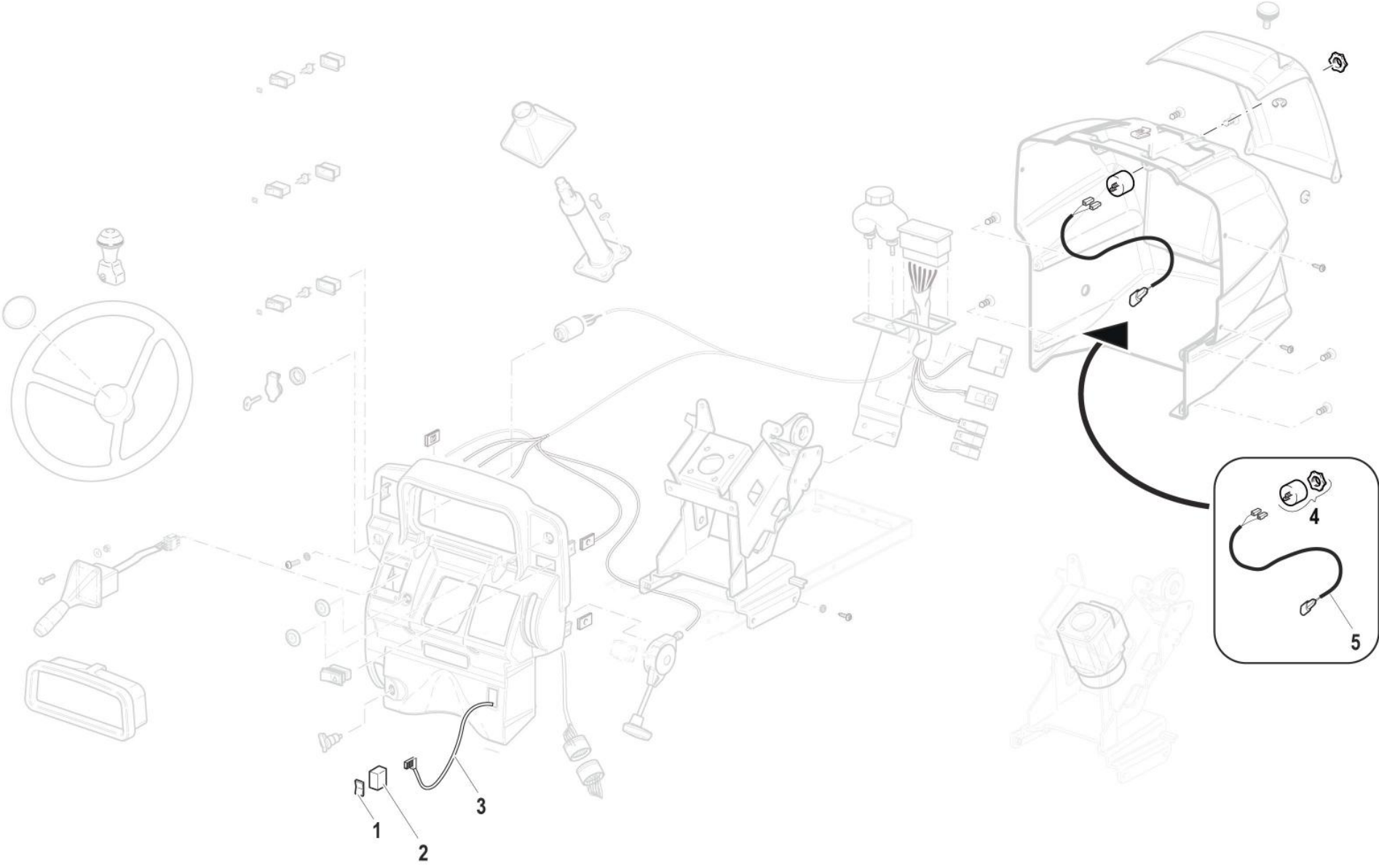


Pos.	Code	Q.ty	Description	Notes
2	58176593	1	SWITCH	
1	581A0040	1	DIGITAL INSTRUMENT	

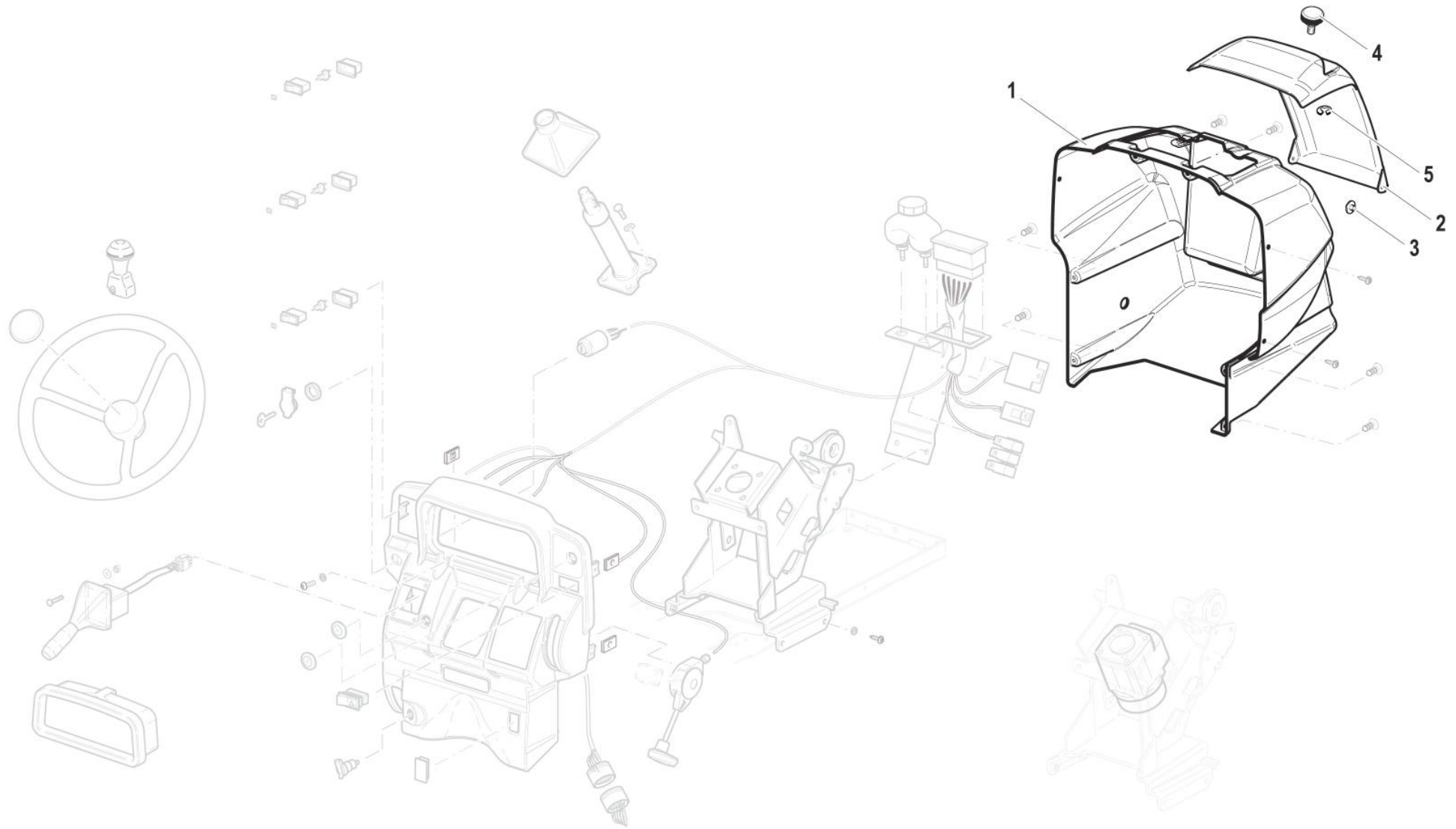


Pos.	Code	Q.ty	Description	Notes
1	58177604	1	PLUG	





Pos.	Code	Q.ty	Description	Notes
4	58035255	1	BUZZER	
5	58079278	1	CABLE	
3	580A0127	1	CABLE	
2	581A0128	1	SWITCH	
1	581A0129	1	TASTO 0011.0659	

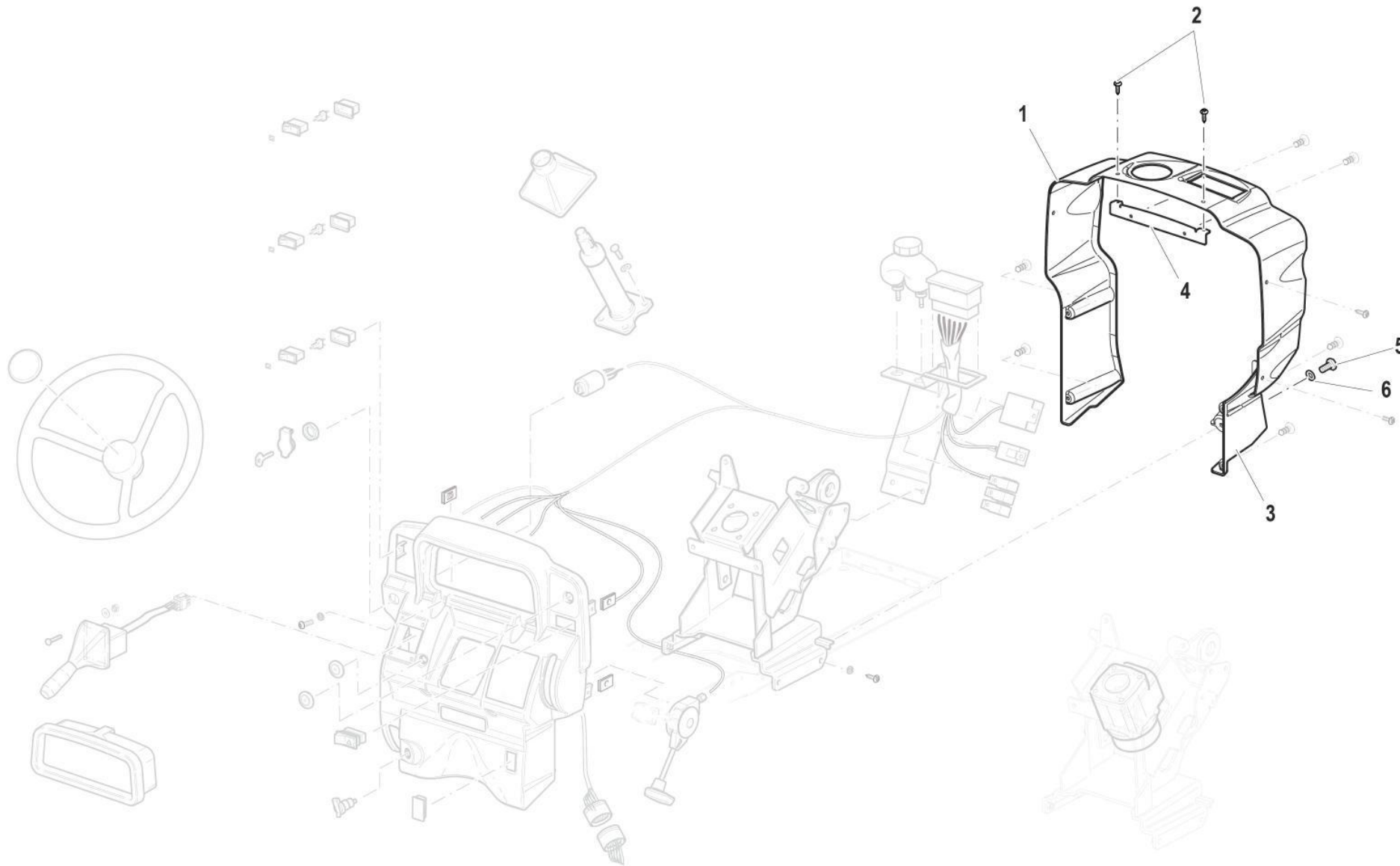


<b>Pos.</b>	<b>Code</b>	<b>Q.ty</b>	<b>Description</b>	<b>Notes</b>
5	35211060	1	SEEGER RING	
4	56174835	1	KNOB	
1	57378647	1	INSTRUMENT PANEL	
2	57378648	1	COVER	
3	57379132	2	HINGE PIN	

DASHBOARD - INSTRUMENT PANEL FOR CAB

SERIAL END 916940

B.17.10.L70001\_0



Pos.	Code	Q.ty	Description	Notes
5	31111089	1	SCREW TE M5X10 UNI 5739 8G	
6	31411053	1	WASHER 5,3x10	
2	31510096	2	RIBBED SCREW 4,2X16	
4	56178817	1	BRACKET	
1	57378815	1	INSTRUMENT PANEL	
3	57378816	1	COVER	

SERIAL  
END

**916940**

**DASHBOARD - INSTRUMENT PANEL FOR CAB**

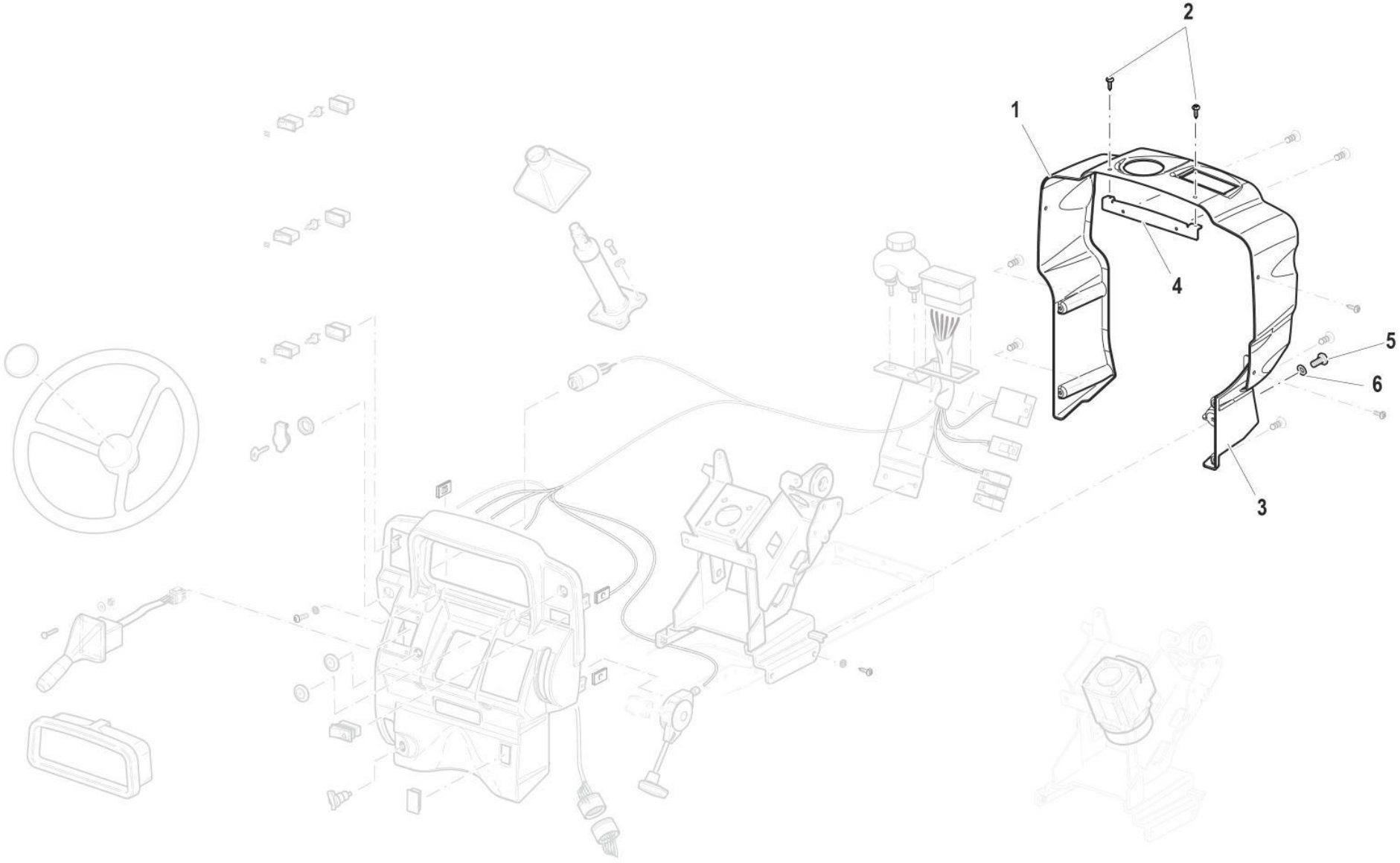
CODE REV

**B.17.10.L70001\_0**

DASHBOARD - INSTRUMENT PANEL FOR CAB

SERIAL START 916941

B.17.10.L70001\_1



Pos.	Code	Q.ty	Description	Notes
5	31111089	1	SCREW TE M5X10 UNI 5739 8G	
6	31411053	1	WASHER 5,3x10	
2	31510096	2	RIBBED SCREW 4,2X16	
4	56178817	1	BRACKET	
1	57378815	1	INSTRUMENT PANEL	
3	57378816	1	COVER	



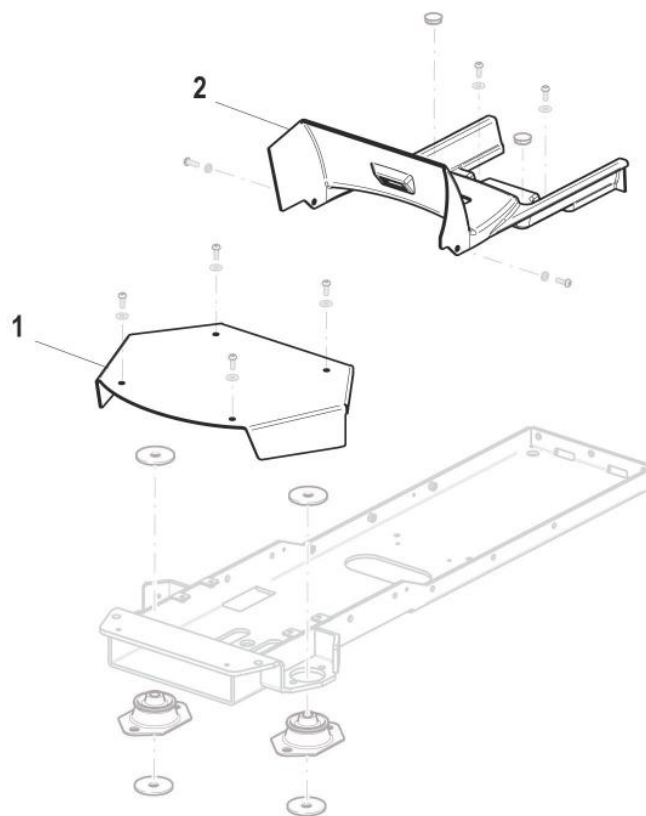


# GEAR LEVERS COVERING - STD

CODE REV

SERIAL END 916940

**B.18.01.L70001\_0**



Pos.	Code	Q.ty	Description	Notes
1	56178786	1	FRONT COVER	
2	57378701	1	COVER	

SERIAL  
END  
**916940**

**GEAR LEVERS COVERING - STD**

CODE REV  
**B.18.01.L70001\_0**

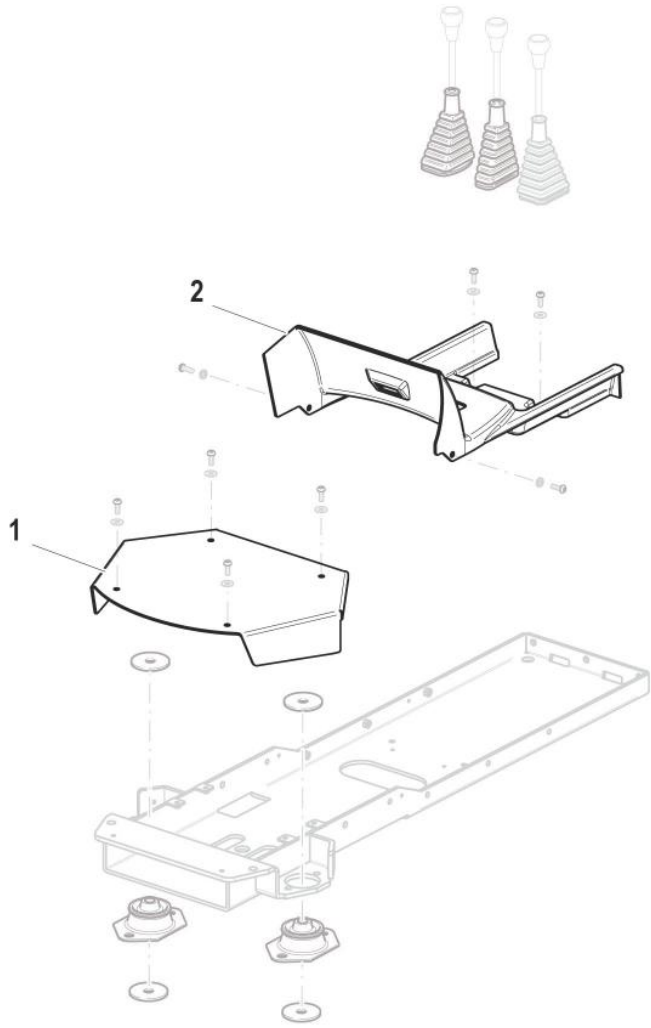


# GEAR LEVERS COVERING - STD

CODE REV

SERIAL START 916941

**B.18.01.L70001\_1**



Pos.	Code	Q.ty	Description	Notes
1	56178785V	1	COP.ANT.VASCA(78785)VERDE	
2	57379976	1	COVER	

SERIAL  
START  
**916941**

**GEAR LEVERS COVERING - STD**

CODE REV  
**B.18.01.L70001\_1**

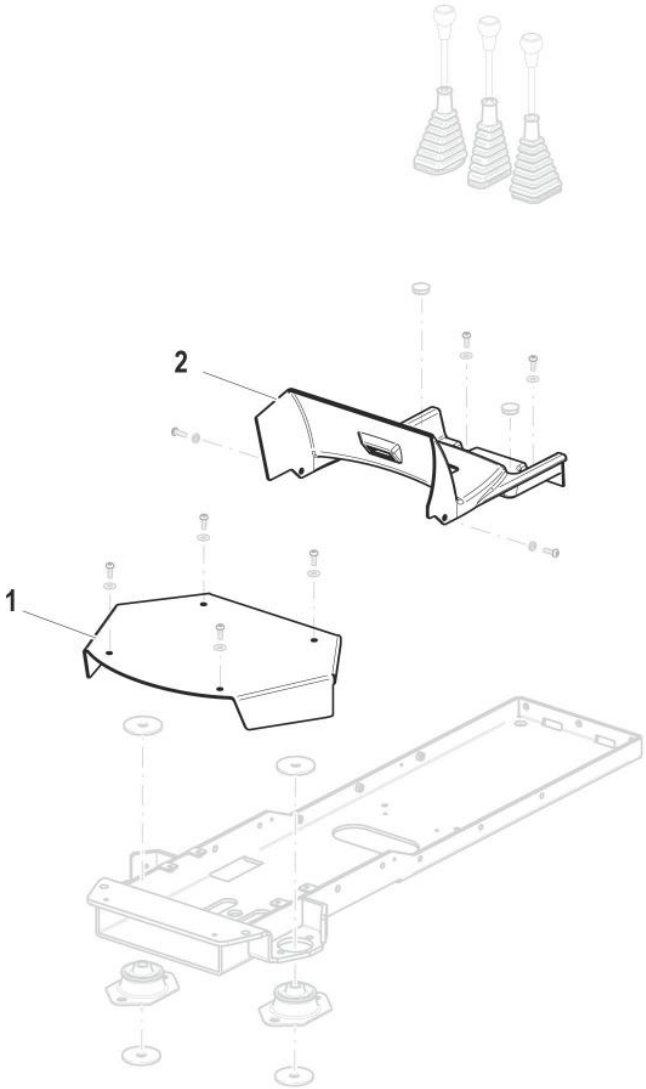


# GEAR LEVERS COVERING - AIR-SUSPENDED SEAT

CODE REV

SERIAL END 916940

**B.18.02.L70001\_0**



Pos.	Code	Q.ty	Description	Notes
1	56178786	1	FRONT COVER	
2	57379316	1	COVER	

SERIAL  
END  
**916940**

**GEAR LEVERS COVERING - AIR-SUSPENDED SEAT**

CODE REV  
**B.18.02.L70001\_0**

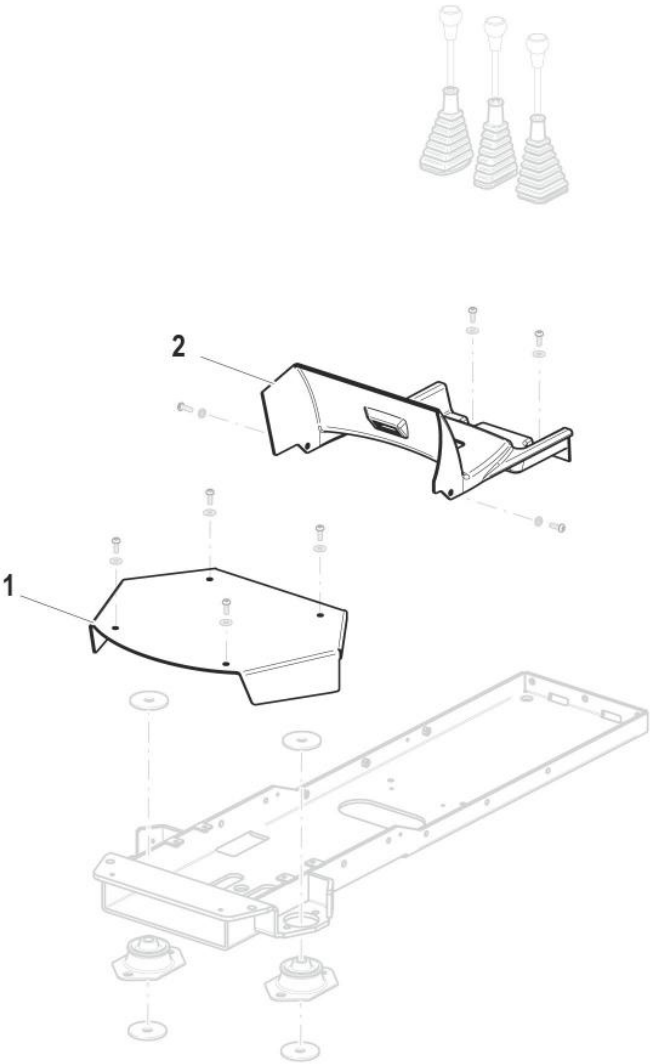


# GEAR LEVERS COVERING - AIR-SUSPENDED SEAT

CODE REV

SERIAL START 916941

**B.18.02.L70001\_1**



Pos.	Code	Q.ty	Description	Notes
1	56178785V	1	COP.ANT.VASCA(78785)VERDE	
2	573A0072	1	COVER	

SERIAL  
START  
**916941**

**GEAR LEVERS COVERING - AIR-SUSPENDED SEAT**

CODE REV  
**B.18.02.L70001\_1**



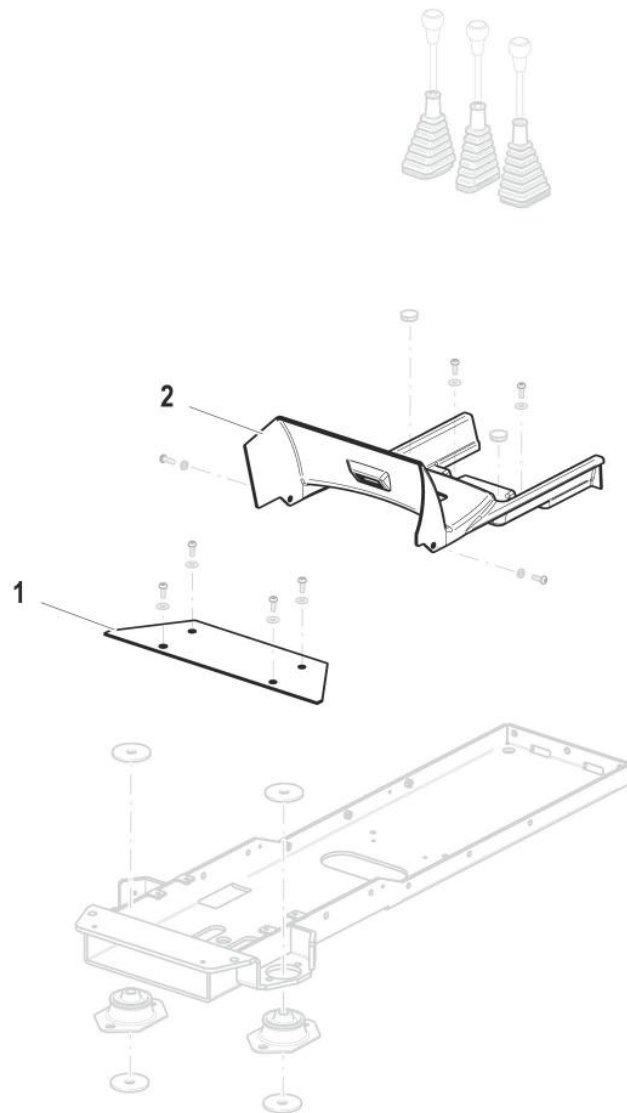


# GEAR LEVERS COVERING - CAB

CODE REV

SERIAL END 916940

**B.18.03.L70001\_0**



Pos.	Code	Q.ty	Description	Notes
1	56178784	1	FRONT COVER	
2	57378701	1	COVER	

SERIAL  
END  
**916940**

**GEAR LEVERS COVERING - CAB**

CODE REV  
**B.18.03.L70001\_0**

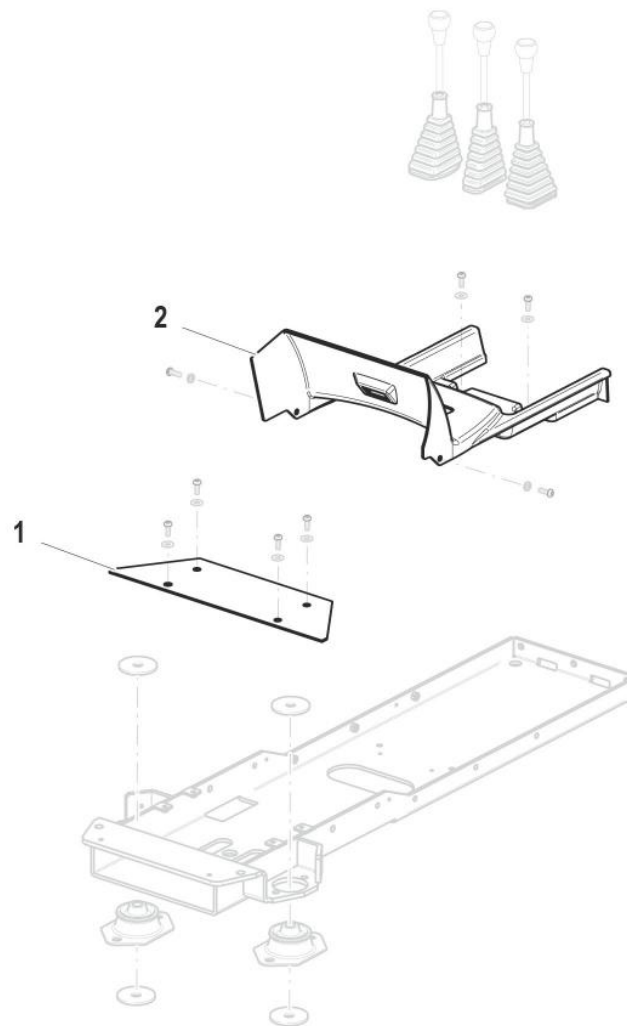


# GEAR LEVERS COVERING - CAB

CODE REV

SERIAL START 916941

**B.18.03.L70001\_1**



Pos.	Code	Q.ty	Description	Notes
1	56178784	1	FRONT COVER	
2	57379976	1	COVER	

SERIAL  
START  
**916941**

**GEAR LEVERS COVERING - CAB**

CODE REV  
**B.18.03.L70001\_1**

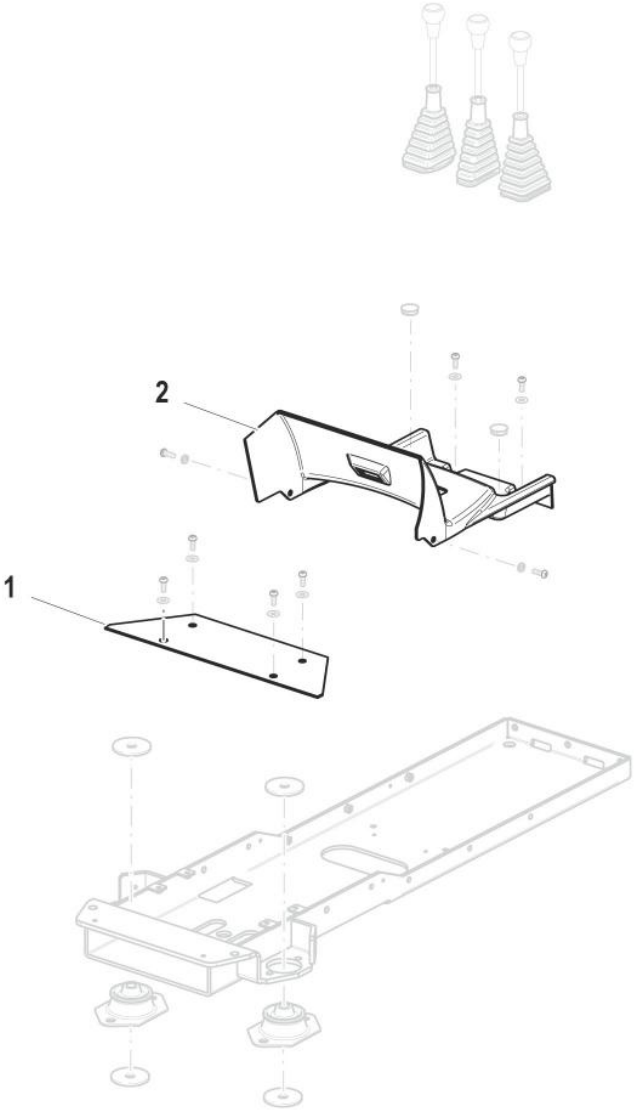


GEAR LEVERS COVERING - CAB WITH AIR-SUSPENDED SEAT

CODE REV

SERIAL END 916940

B.18.04.L70001\_0



Pos.	Code	Q.ty	Description	Notes
1	56178784	1	FRONT COVER	
2	57379316	1	COVER	

SERIAL  
END  
**916940**

**GEAR LEVERS COVERING - CAB WITH AIR-SUSPENDED SEAT**

CODE REV  
**B.18.04.L70001\_0**

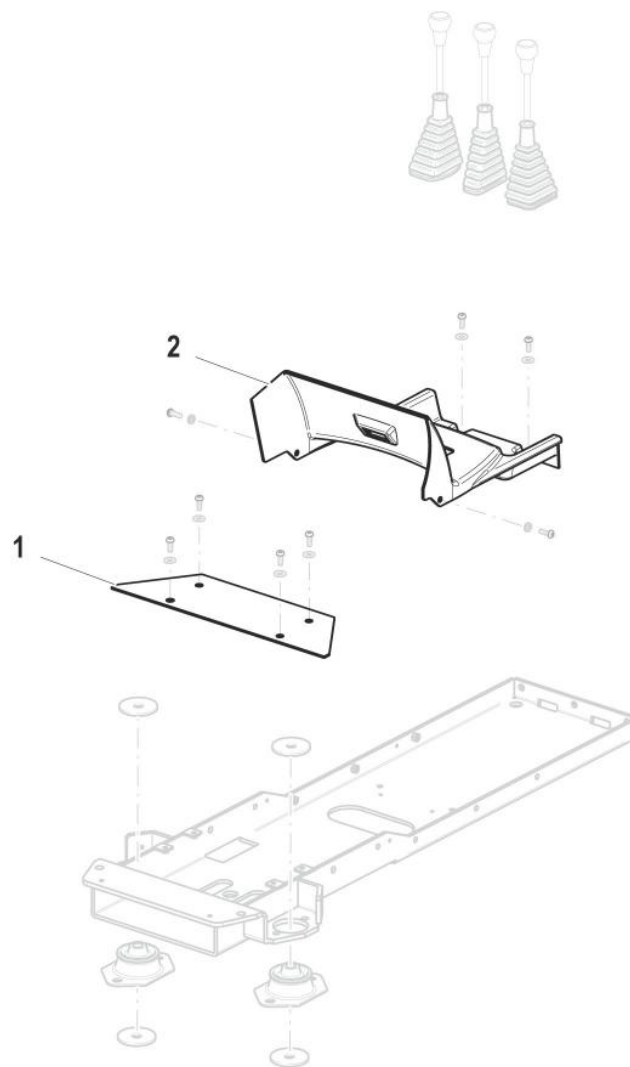


# GEAR LEVERS COVERING - CAB WITH AIR-SUSPENDED SEAT

CODE REV

SERIAL START 916941

**B.18.04.L70001\_1**



Pos.	Code	Q.ty	Description	Notes
1	56178784	1	FRONT COVER	
2	573A0072	1	COVER	

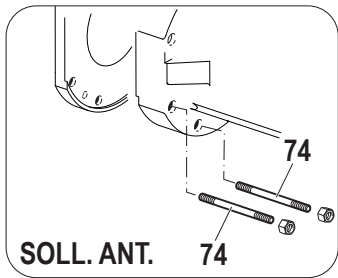
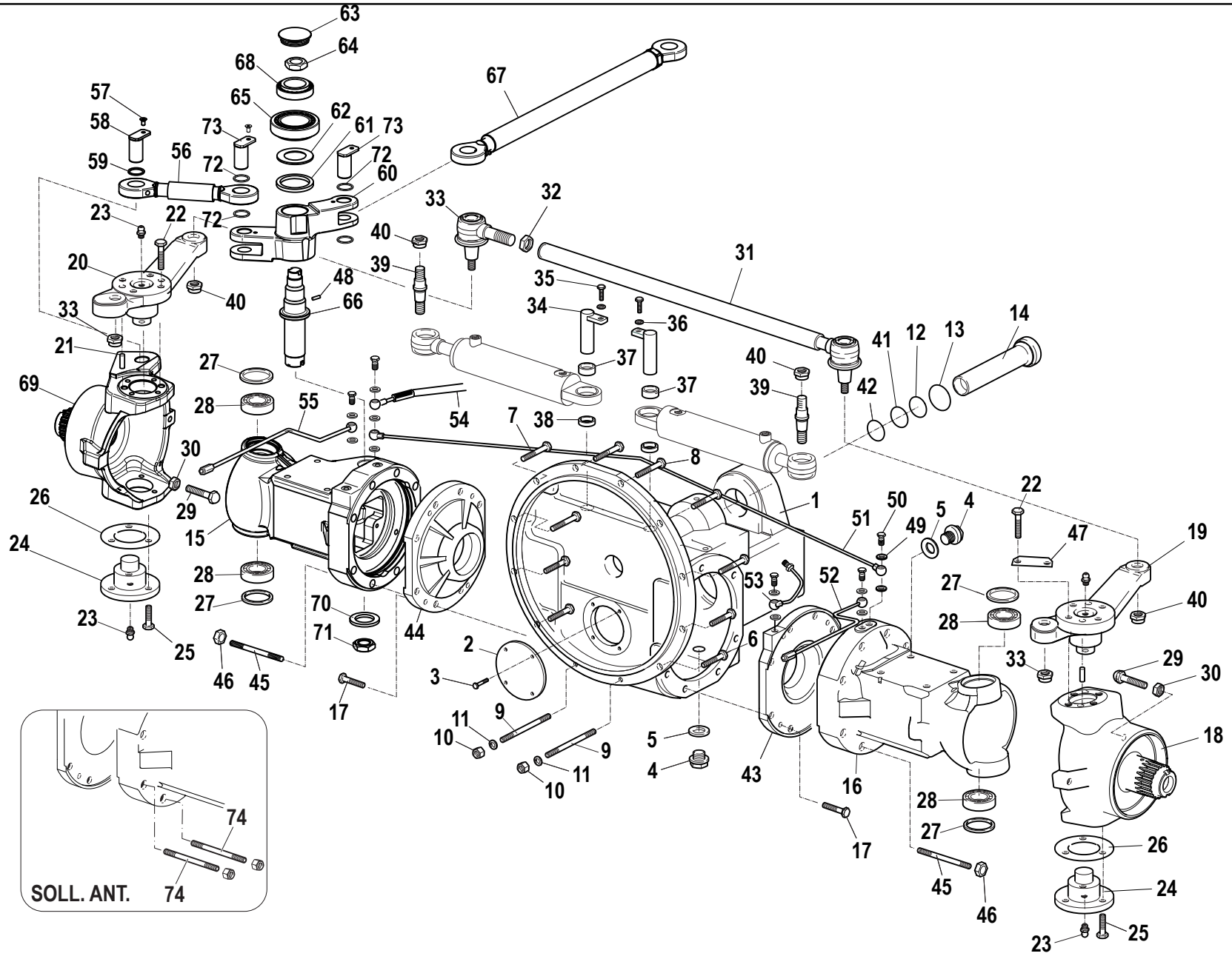
SERIAL  
START  
**916941**

**GEAR LEVERS COVERING - CAB WITH AIR-SUSPENDED SEAT**

CODE REV  
**B.18.04.L70001\_1**



FRONT AXLE



Pos.	Code	Q.ty	Description	Notes
23	30000007	4	LUBRICATOR	
35	31111151	2	SCREW TE M8X16 UNI 5739 8G	
3	31112090	4	SCREW TE M6X16 UNI 5739 8G	
6	31112211	4	SCREW TE M10X30 UNI 5739	
7	31112212	5	SCREW TE M10X35 UNI 5739	
8	31112213	1	SCREW TE M10X40 UNI 5739	
22	31112267	8	SCREW M12x1,25x40 UNI 5738 10.9	
40	31241161	4	SELFLOCK NUT M16X1,5	
74	31313305	4	STUD BOLT	
68	37152504	1	BEARING	
2	51176125	1	FRONT COVER	
1	51176126	1	FRONT AXLE HOUSING	
44	51275781	1	SUPPORT	
43	51275782	1	SUPPORT	
18	51277912	1	JOINT	
16	51279080	1	FRONT AXLE HOUSING	
69	51376109	1	JOINT	
15	51376779	1	FRONT AXLE HOUSING	
24	52370083	2	JOINT PIN	
60	52377890	1	LEVER	
20	52377913	1	RIGHT ARM	
19	52377914	1	STEERING TRACK LEVER	
47	56077910	4	CLAMPING PLATE	
30	56077977	2	SMALL COLUMN	
26	56170082	0.4	SHIM	
37	56170226	2	SPACER	
38	56171172	2	SPACER	
41	56177068	1	SPACER	
72	56177894	4	SPACER	
70	56177899	1	THRUST PLATE	
50	56178695	1	THREADED TERMINAL END	
59	56178705	2	SPACER	
4	56370081	2	PLUG	
71	56370085	1	RING NUT	

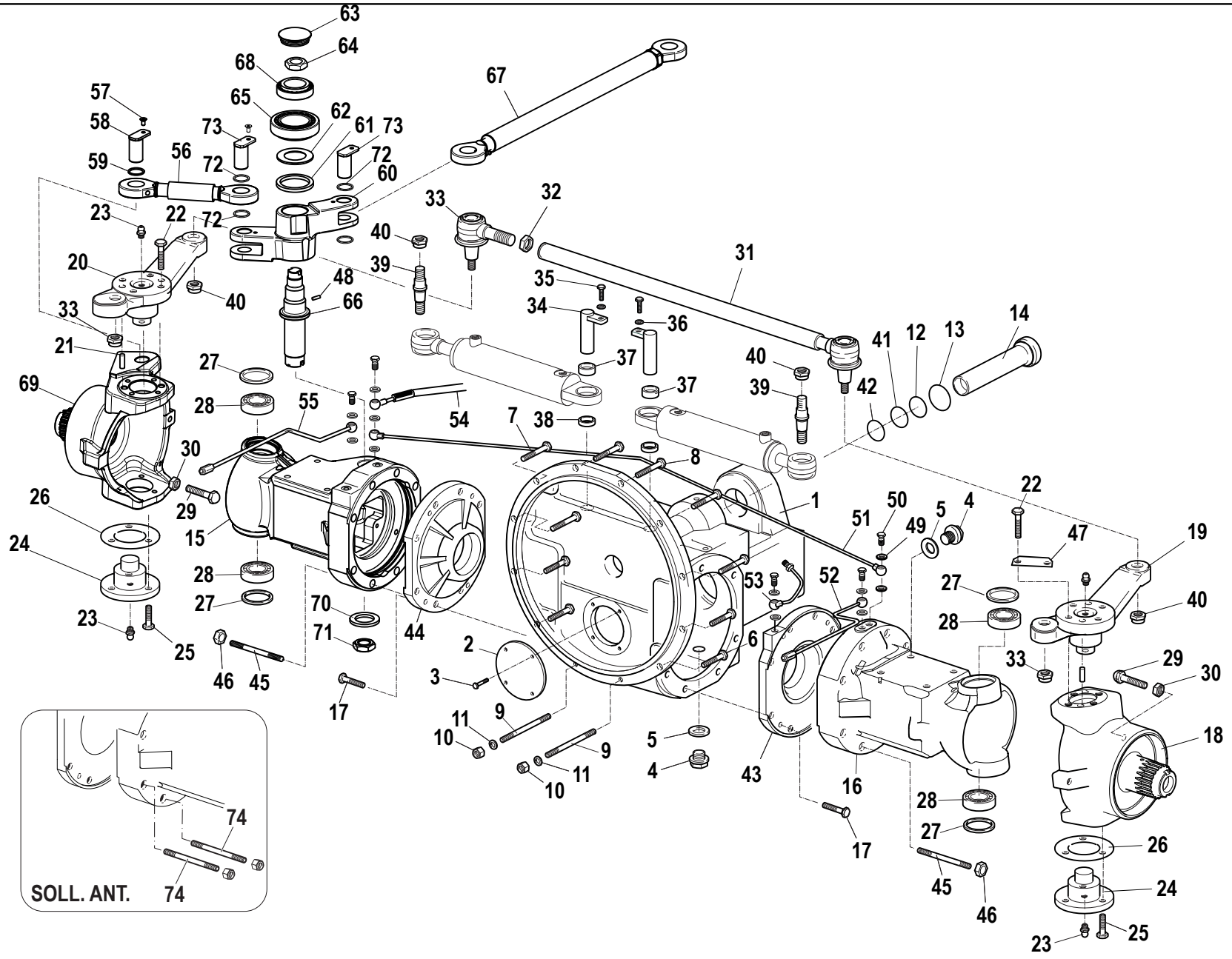
SERIAL

**FRONT AXLE**

CODE REV

**C.01.01.L70001\_0**

FRONT AXLE



Pos.	Code	Q.ty	Description	Notes
32	56370486	1	SPECIAL NUT M20X1 CH32 6S	
21	56377097	4	PIN	
62	56377898	1	THRUST PLATE	
64	56377911	1	RING NUT	
39	56377915	2	HINGE PIN	
29	56379482	2	ADJUSTING SCREW	
48	56570506	1	PIN	
66	56577900	1	STEERING SHAFT	
63	57377896	1	PLUG	
61	57377897	1	RUBBER RING D.69x55/6	
54	58078640	1	FLEXIBLE HOSE	
33	58170069	1	BALL JOINT END	
27	58170077	4	GASKET	
14	59070012	1	PIPE	
31	59070225	1	ROD	
34	59071171	2	HINGE PIN	
73	59076110	2	HINGE PIN	
67	59076115	1	ROD	
56	59076117	1	COMPLETE TOWING LEVER	
58	59076118	1	HINGE PIN	
53	59076501	1	PIPE	
52	59077319	1	PIPE	
55	59078596	1	PIPE	
51	59078597	1	CONNECTION PIPE	
42	F0801310600	1	SAFETY RING	
13	F0803209070	1	O-RING	
12	F0803259000	1	O-RING	
28	F0812747000	4	BEARING 32006X (30x55x17)	
65	F0812895000	1	BEARING 32008 (40X68X19)	
10	F0814632000	2	NUT M10	
46	F0814750010	16	NUT M14X1,5	
9	F0838475000	2	STUD BOLT M10X90 UNI 5911 8.8	
45	F0838726050	16	STUD BOLT M14x1.5x80UNI5912	
36	F0843643060	2	WASHER 8	

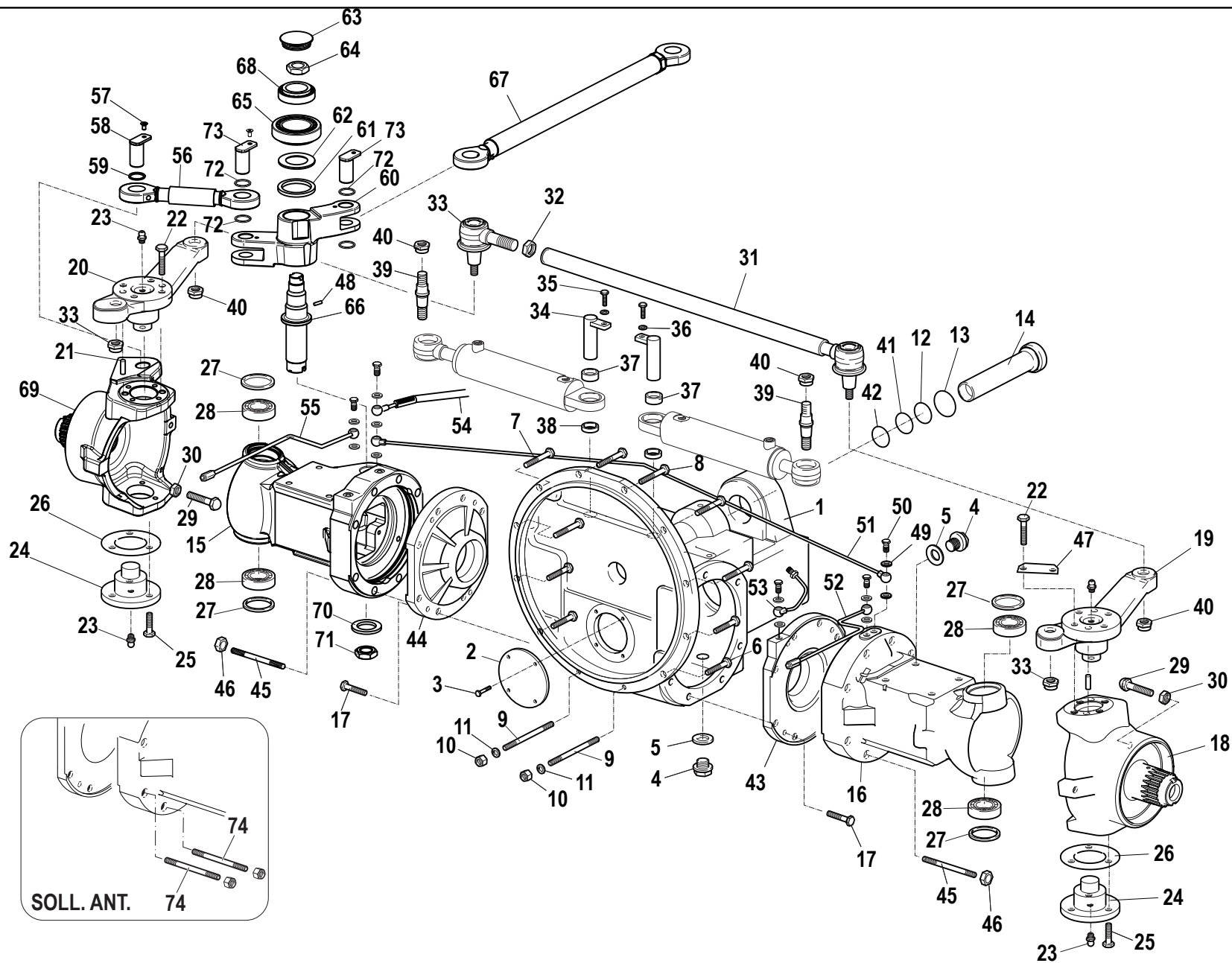
SERIAL

**FRONT AXLE**

CODE REV

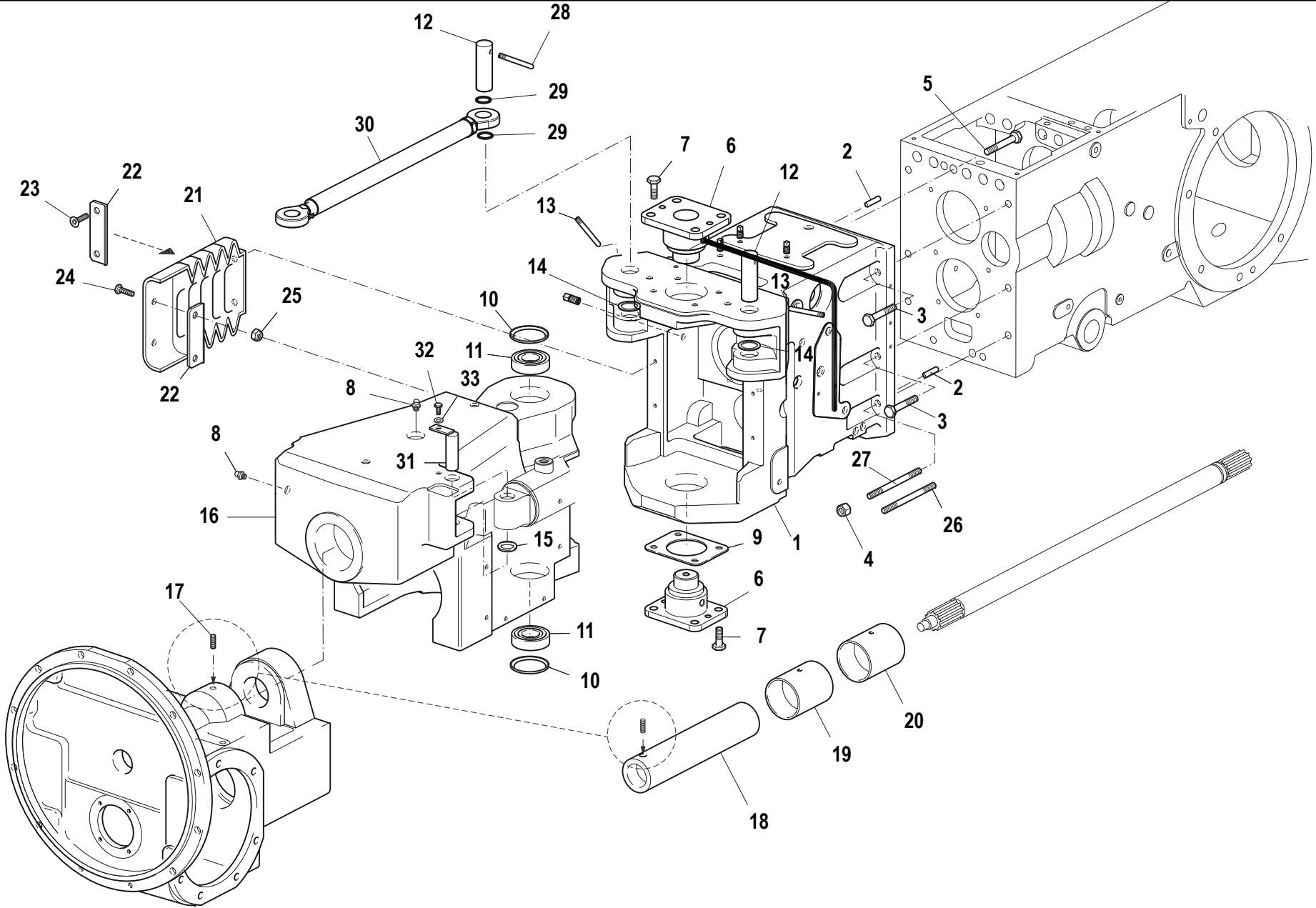
**C.01.01.L70001\_0**

FRONT AXLE



<b>Pos.</b>	<b>Code</b>	<b>Q.ty</b>	<b>Description</b>	<b>Notes</b>
11	F0843755000	12	WASHER 10	
5	F0844273090	2	GASKET 22X28X1,5 CU 99,5	
57	F0861990050	3	SCREW M6X12 UNI 5933 10.9 ZNT	
17	F0862131000	8	SCREW M6X18 UNI 5931	
25	F0863267050	6	SCREW M10x25	
49	P254124000000	1	WASHER	

CENTRAL SECTION



Pos.	Code	Q.ty	Description	Notes
30.3	30000008	1	LUBRICATOR M6x1 CH 7	
32	31111151	1	SCREW TE M8X16 UNI 5739 8G	
24	31112093	1	SCREW TE M6X20	
23	31132562	1	SCREW TSVEI M6X16 UNI 5933	
1	51177431	1	CLUTCH HOUSING	
16	51177892	1	BOX	
9	52173669	1	SHIM	
6	52373668	1	JOINT PIN	
21	55174429	1	BELLOWS	
22	56174446	1	FIXING BRACKET	
15	56177893	1	SPACER	
29	56177895	1	SPACER	
14	56178592	1	SPACER	
20	56276371	1	BUSHING	
19	56276372	1	BUSHING	
13	56370178		SCREW	
28	56370178	1	SCREW	
12	56374556	1	HINGE PIN	
26	56375878	1	STUD BOLT	
35	56377901	1	BUSHING	
34	56377902	1	HINGE PIN	
18	56477227	1	PIN	
2	56570016	1	CYLINDRICAL PLUG	
17	58077226	1	GRAIN	
10	58170077	1	GASKET	
30.1	58176114	1	JOINT	
36	58177904	1	CYLINDER	
31	59070838	1	HINGE PIN	
30	59076115	1	ROD	
11	F0812838000	1	BEARING 32007 (35x62x18 R)	
25	F0814547000	1	SELFLOCK NUT M6	
4	F0814706000	1	NUT M12	
30.2	F0814907000	1	NUT M24X2	
8	F0826056000	4	LUBRICATOR M10 UNI 7663A	

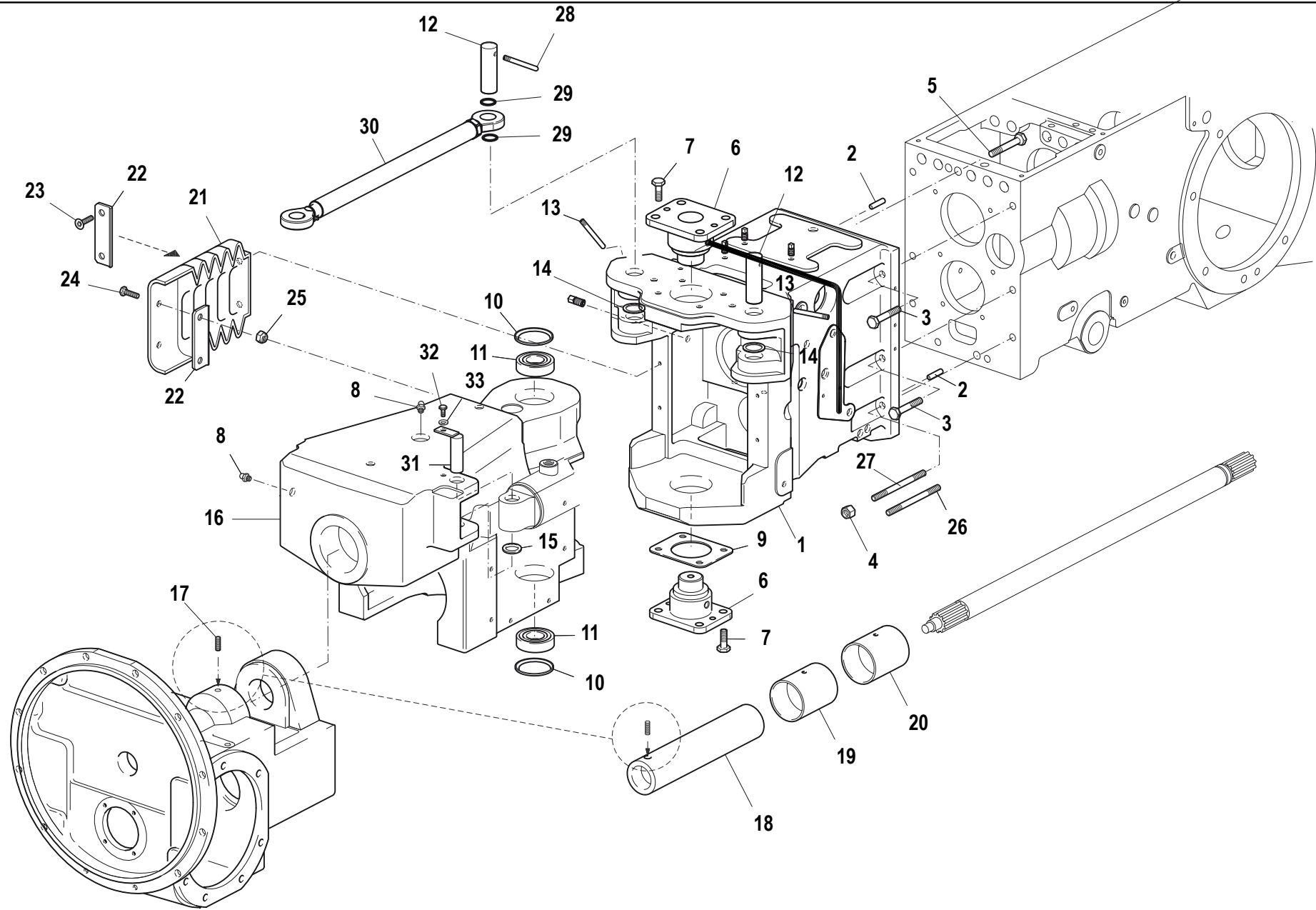
SERIAL

**CENTRAL SECTION**

CODE REV

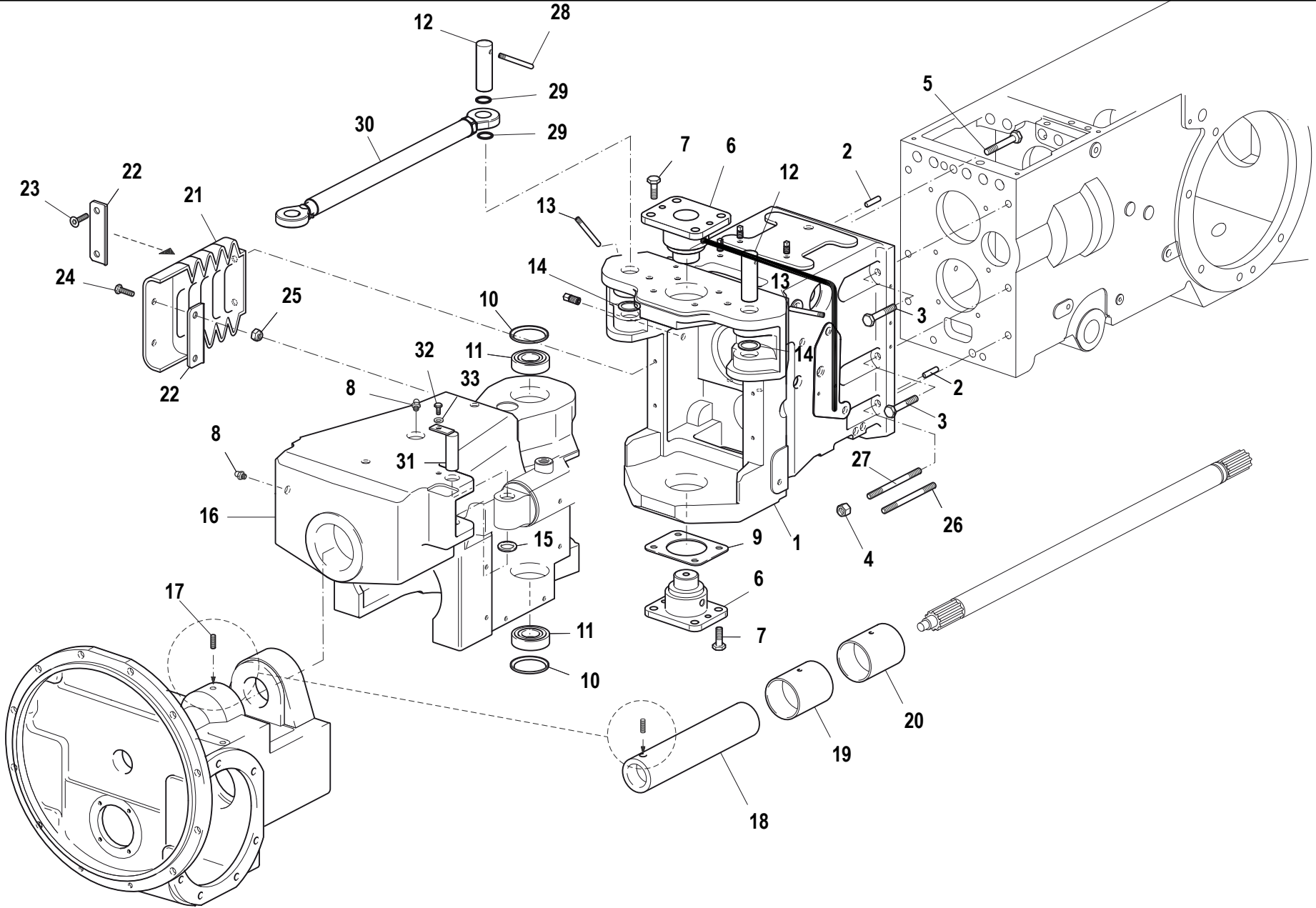
**C.02.01.L70001\_0**





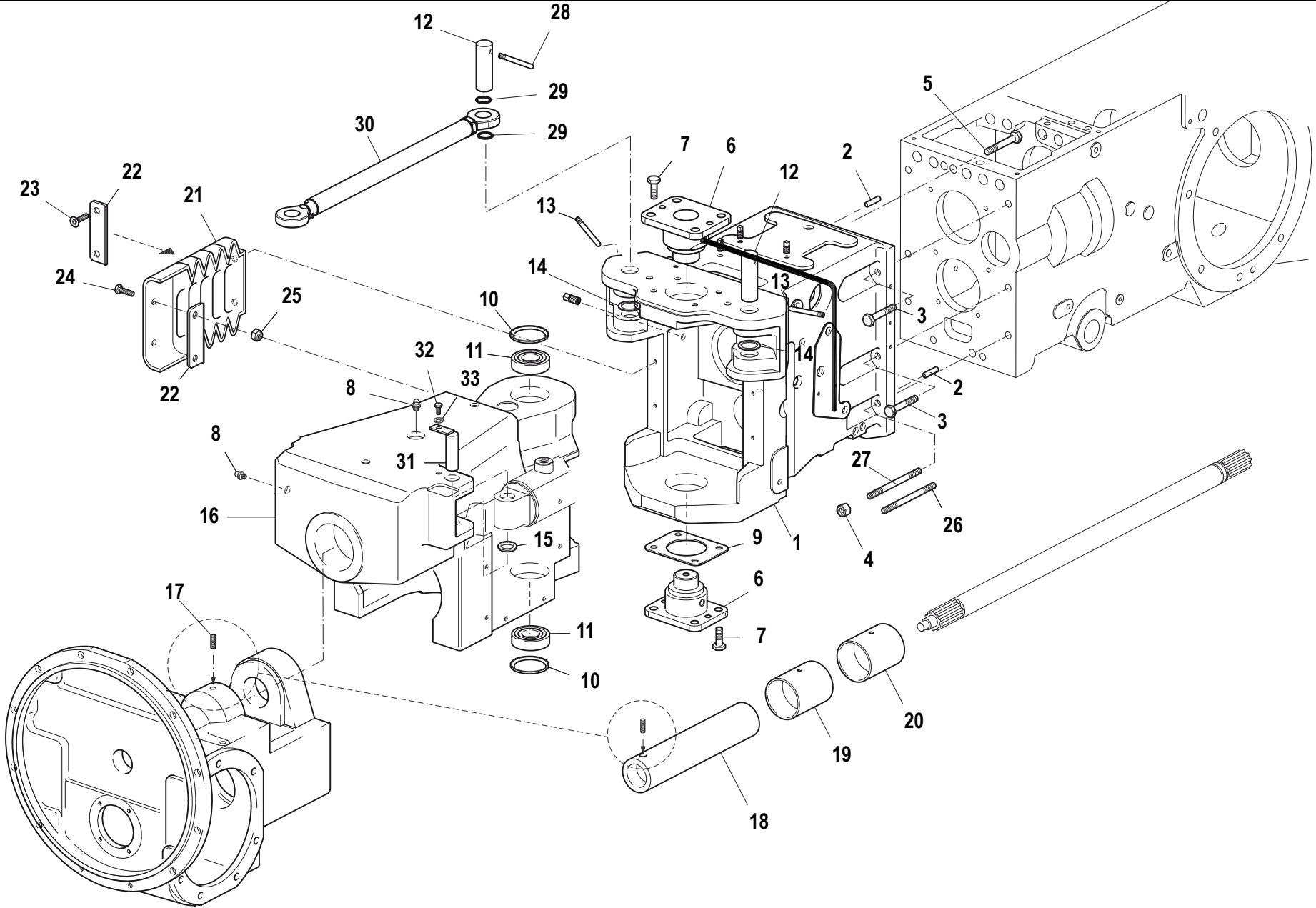
<b>Pos.</b>	<b>Code</b>	<b>Q.ty</b>	<b>Description</b>	<b>Notes</b>
27	F0838660000	1	STUD BOLT M12X105 UNI 5911-66	
33	F0843643060	1	WASHER 8	
7	F0863267050	1	SCREW M10x25	
3	F0863925000	1	SCREW M12X40 UNI 5737	
5	F0863951000	1	SCREW M12X45 UNI 5737	

CENTRAL SECTION



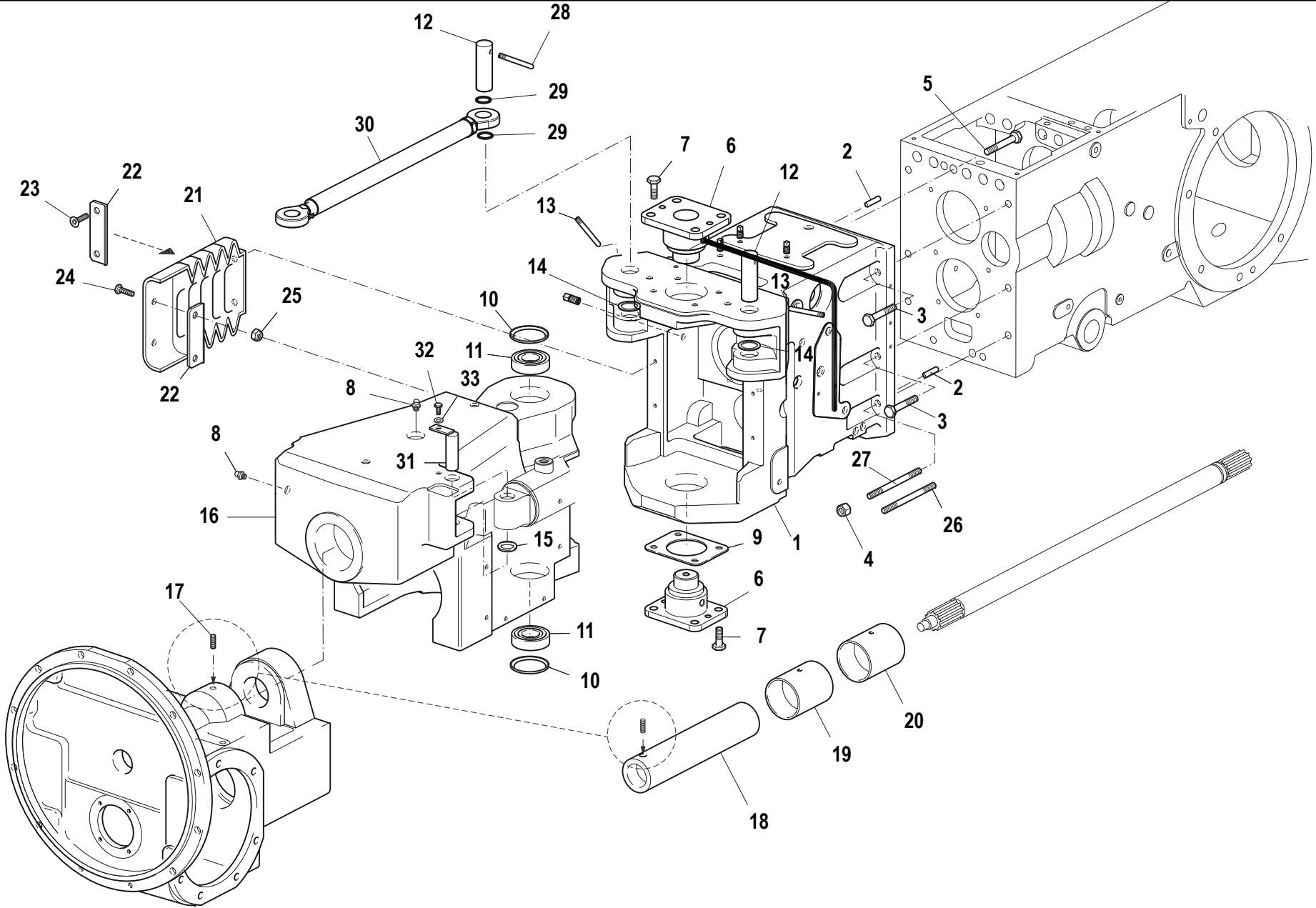
Pos.	Code	Q.ty	Description	Notes
39	30000007	1	LUBRICATOR	164/06
30.3	30000008	1	LUBRICATOR M6x1 CH 7	
38	30000253	1	PIPE FITTING	164/06
32	31111151	1	SCREW TE M8X16 UNI 5739 8G	
24	31112093	1	SCREW TE M6X20	
23	31132562	1	SCREW TSVEI M6X16 UNI 5933	
16	51177892	1	BOX	
1	51179210	1	CLUTCH HOUSING	164/06
9	52173669	1	SHIM	
6	52379209	1	JOINT PIN	164/06
21	55174429	1	BELLOWS	
22	56174446	1	FIXING BRACKET	
15	56177893	1	SPACER	
29	56177895	1	SPACER	
14	56178592	1	SPACER	
20	56276371	1	BUSHING	
19	56276372	1	BUSHING	
13	56370178	1	SCREW	
28	56370178	1	SCREW	
12	56374556	1	HINGE PIN	
26	56375878	1	STUD BOLT	
35	56377901	1	BUSHING	
34	56377902	1	HINGE PIN	
18	56477227	1	PIN	
2	56570016	1	CYLINDRICAL PLUG	
17	58077226	1	GRAIN	
10	58170077	1	GASKET	
30.1	58176114	1	JOINT	
36	58177904	1	CYLINDER	
31	59070838	1	HINGE PIN	
30	59076115	1	ROD	
37	59079208	1	PIPE	164/06
11	F0812838000	1	BEARING 32007 (35x62x18 R)	
25	F0814547000	1	SELFLOCK NUT M6	

CENTRAL SECTION



Pos.	Code	Q.ty	Description	Notes
4	F0814706000	1	NUT M12	
30.2	F0814907000	1	NUT M24X2	
40	F0826039000	1	LUBRICATOR	164/06
8	F0826056000	2	LUBRICATOR M10 UNI 7663A	
27	F0838660000	1	STUD BOLT M12X105 UNI 5911-66	
33	F0843643060	1	WASHER 8	
7	F0863267050	1	SCREW M10x25	
3	F0863925000	1	SCREW M12X40 UNI 5737	
5	F0863951000	1	SCREW M12X45 UNI 5737	

CENTRAL SECTION



Pos.	Code	Q.ty	Description	Notes
43	30000007	1	LUBRICATOR	
30.3	30000008	1	LUBRICATOR M6x1 CH 7	
41	30000253	1	PIPE FITTING	
32	31111151	1	SCREW TE M8X16 UNI 5739 8G	
24	31112093	1	SCREW TE M6X20	
23	31132562	1	SCREW TSVEI M6X16 UNI 5933	
16	51177892	1	BOX	
1	51178590	1	CLUTCH HOUSING	
9	52173669	1	SHIM	
6	52379209	1	JOINT PIN	
21	55174429	1	BELLOWS	
22	56174446	1	FIXING BRACKET	
15	56177893	1	SPACER	
29	56177895	1	SPACER	
14	56178592	1	SPACER	
20	56276371	1	BUSHING	
19	56276372	1	BUSHING	
13	56370178	1	SCREW	
28	56370178	1	SCREW	
12	56374556	1	HINGE PIN	
26	56375878	1	STUD BOLT	
35	56377901	1	BUSHING	
34	56377902	1	HINGE PIN	
18	56477227	1	PIN	
2	56570016	1	CYLINDRICAL PLUG	
17	58077226	1	GRAIN	
10	58170077	1	GASKET	
30.1	58176114	1	JOINT	
36	58177904	1	CYLINDER	
31	59070838	1	HINGE PIN	
30	59076115	1	ROD	
40	59079208	1	PIPE	
11	F0812838000	1	BEARING 32007 (35x62x18 R)	
25	F0814547000	1	SELFLOCK NUT M6	

SERIAL

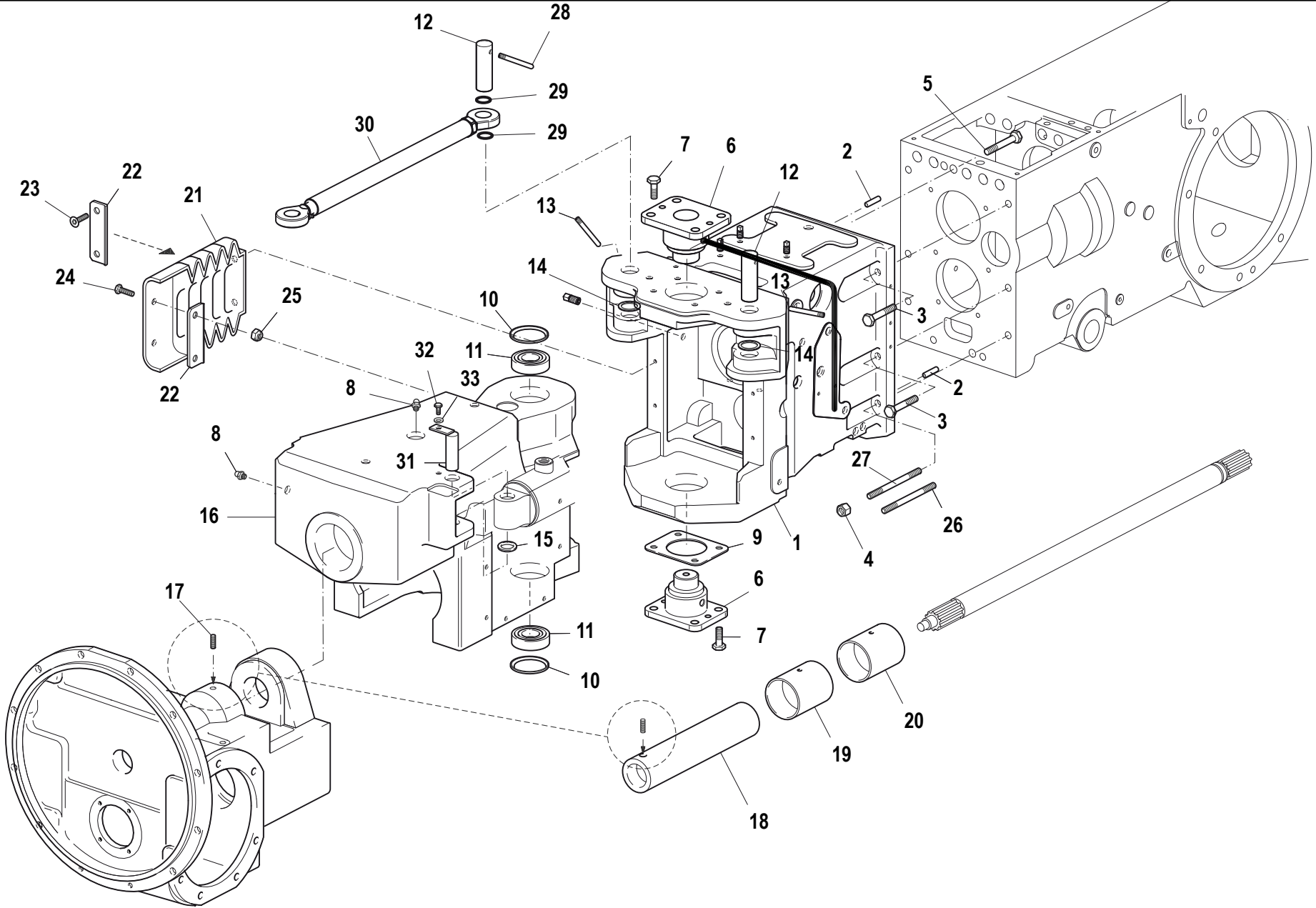
**CENTRAL SECTION**

CODE REV

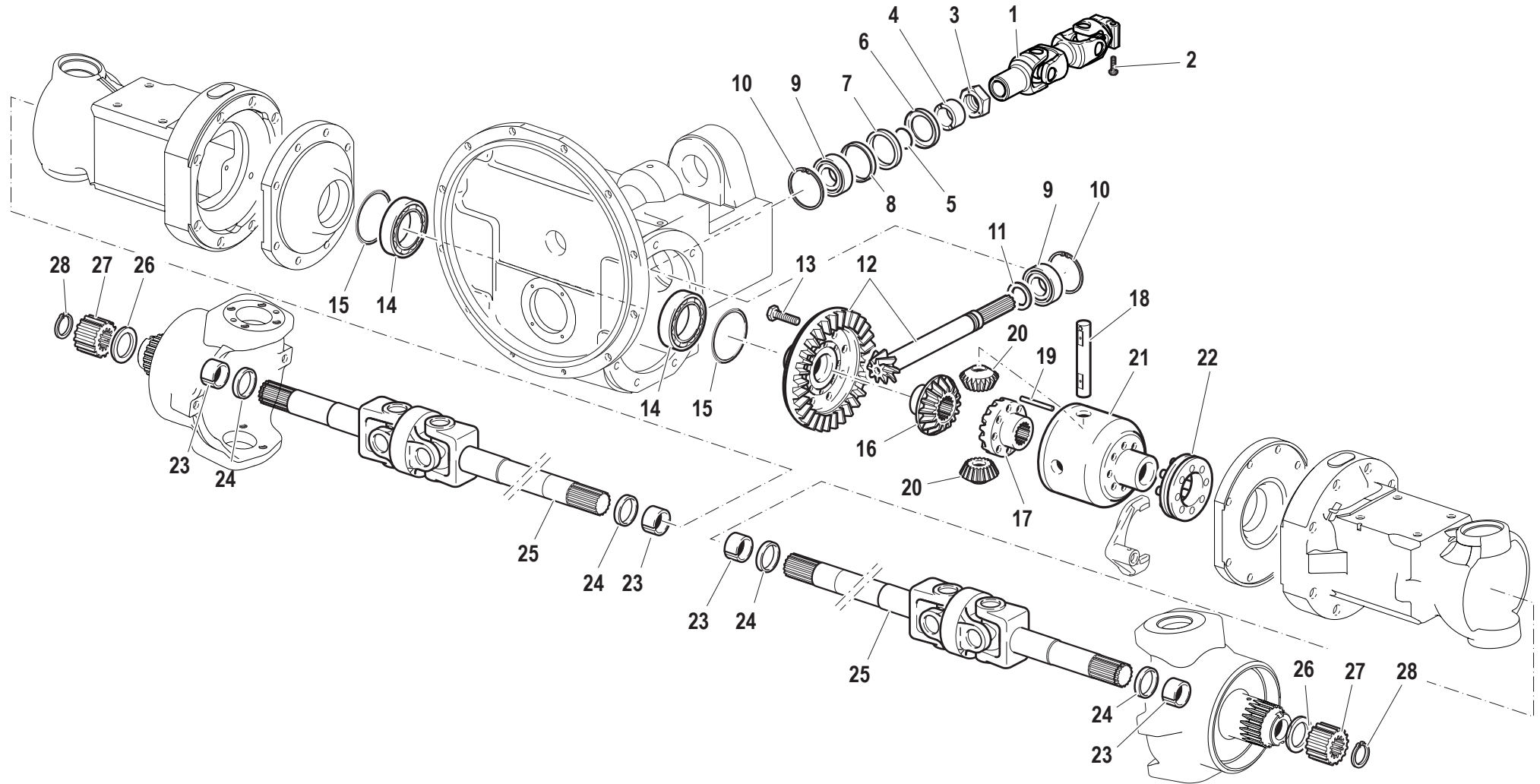
**C.02.01.L70001\_2**



CENTRAL SECTION



Pos.	Code	Q.ty	Description	Notes
4	F0814706000	1	NUT M12	
30.2	F0814907000	1	NUT M24X2	
42	F0826039000	1	LUBRICATOR	
8	F0826056000	2	LUBRICATOR M10 UNI 7663A	
27	F0838660000	1	STUD BOLT M12X105 UNI 5911-66	
33	F0843643060	1	WASHER 8	
7	F0863267050	1	SCREW M10x25	
3	F0863925000	1	SCREW M12X40 UNI 5737	
5	F0863951000	1	SCREW M12X45 UNI 5737	



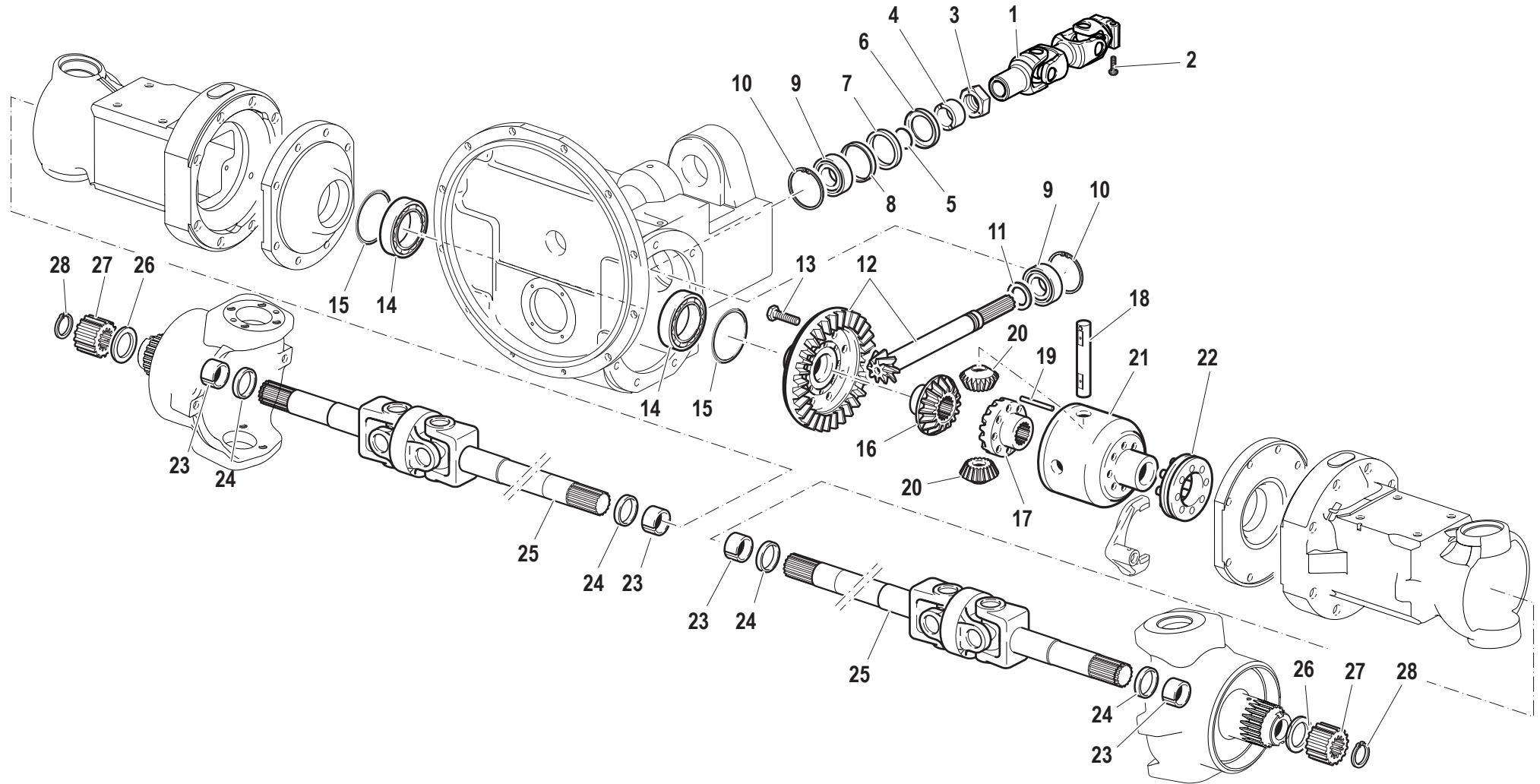
Pos.	Code	Q.ty	Description	Notes
2	31111156	1	SCREW TE M8X50 UNI 5737 CL 10.9	
21	51371035	1	HOUSING	
17	52470063	1	PINION	
16	52470064	1	PINION	
20	52470067	2	DIFFERENTIAL PINION	
27	52470086	2	CROWN WHEEL	
8	56170213	1	SPACER	
6	56170214	1	PROTECTIVE RING D=72	
3	56370085	1	RING NUT	
15	56370089	0	RING	
16	56370127	1	RING	
16	56370128	1	RING	
11	56370209	1	SHIM	
11	56370210	1	SHIM	
11	56370211	1	SHIM	
11	56370212	1	SHIM	
19	56371037	1	PIN	
4	56470215	1	SPACER	
26	56470216	2	SHIM	
18	56471036	1	PIN	
29	56475864	1	SLEEVE	
30	56475865	1	SLEEVE	
23	58170039	4	BUSHING	
25	58175870	2	JOINT	
1	58178810	1	JOINT	
22	59070065	1	SLEEVE	
12	59376200	1	BEVEL GEAR	
28	F0801218010	2	SEEGER RING	
10	F0801422010	2	SEEGER RING	
24	F0802119050	4	SEAL 30x44x11	
7	F0802239045	1	SEAL 50x72x8	
5	F0803078100	1	O-RING	
9	F0812859000	2	BEARING 32207	
14	F0812956000	2	BEARING 32010 X/Q	

SERIAL

**FRONT TRANSMISSION**

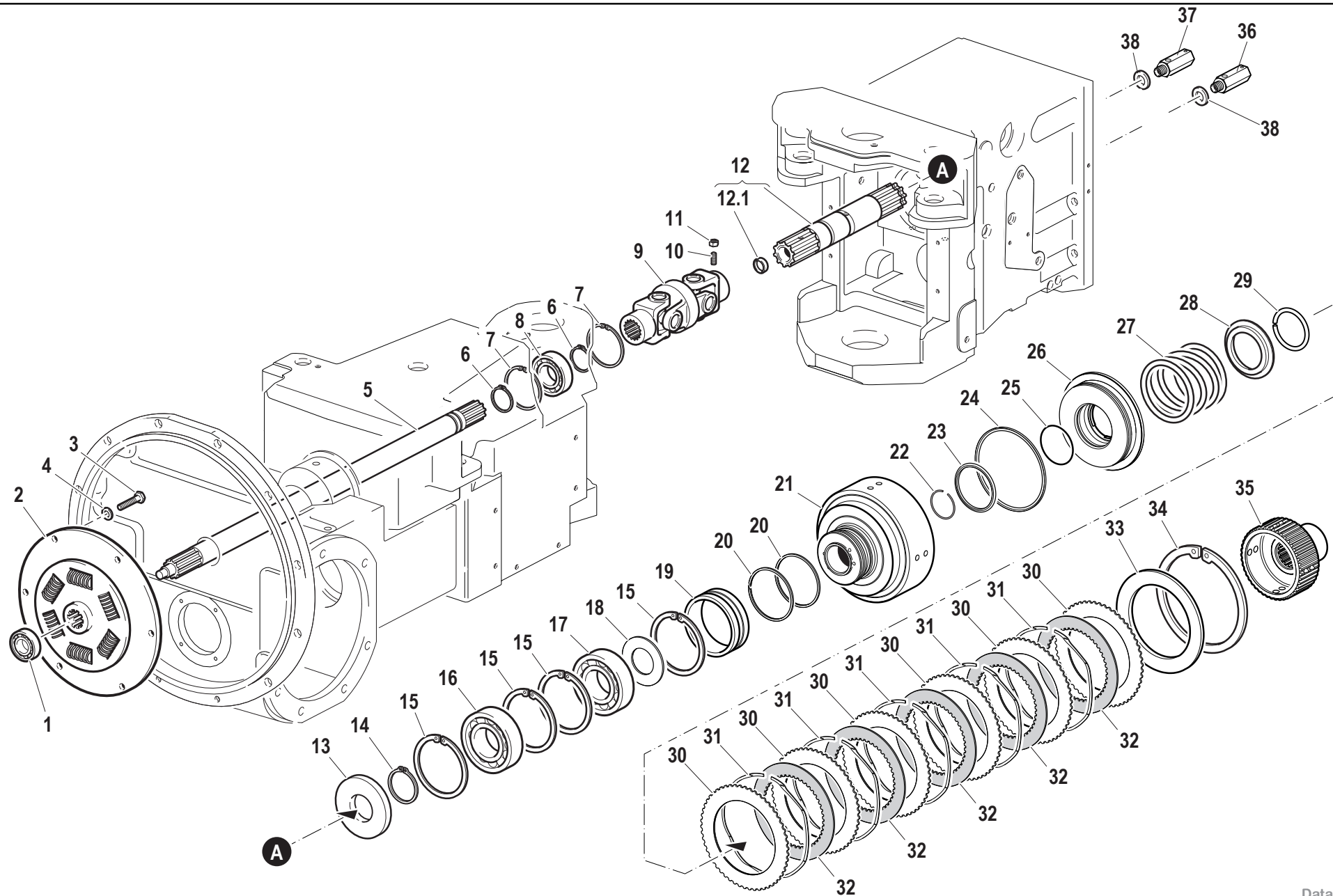
CODE REV

**D.01.01.L70001\_0**



Pos.	Code	Q.ty	Description	Notes
13	F0863311250	8	SCREW M10x1,5x32	

# CLUTCH FRONT SHAFT/ TRANSMISSION CLUTCH



Pos.	Code	Q.ty	Description	Notes
3	31112150	6	SCREW TE M8X20 UNI 5739 8G	
11	31211080	1	NUT M8	
4	31421083	6	WASHER	
7	35111062	2	SEEGER RING	
15	35111080	5	SEEGER RING	
6	35121030	2	SEEGER RING	
16	37111354	1	BEARING	
8	37112302	1	BEARING	
25	38104412	1	O-RING	
35	52473655	1	HUB	
12	52473660	1	SHAFT	
21	52573648	1	CLUTCH HOUSING	
26	53273025	1	PISTON	
33	56370037	1	CLUTCH DISC	
28	56370267	1	RING	
18	56371162	1	SHIM	
19	56470002	1	BUSHING	
5	56575822	1	FRONT CLUTCH SHAFT	
27	58070262	1	RESTORING SPRING	
29	58070268	1	CIRCLIP	
12.1	58073461	1	PLUG	
30	58170034	6	DISC	
20	58170306	2	SEAL	
23	58170443	1	GASKET	
32	58172105	5	DISC	
31	58172106	5	SPRING	
24	58172400	1	GASKET	
9	58173664	1	CARDAN JOINT	
2	58177653	1	JOINT	
36	59278554	1	VALVE	
37	59278555	1	VALVE	
14	F0801264050	1	SEEGER RING	
22	F0801266100	1	SAFETY RING	
34	F0801455100	1	SEEGER RING	

SERIAL

**CLUTCH FRONT SHAFT/ TRANSMISSION CLUTCH**

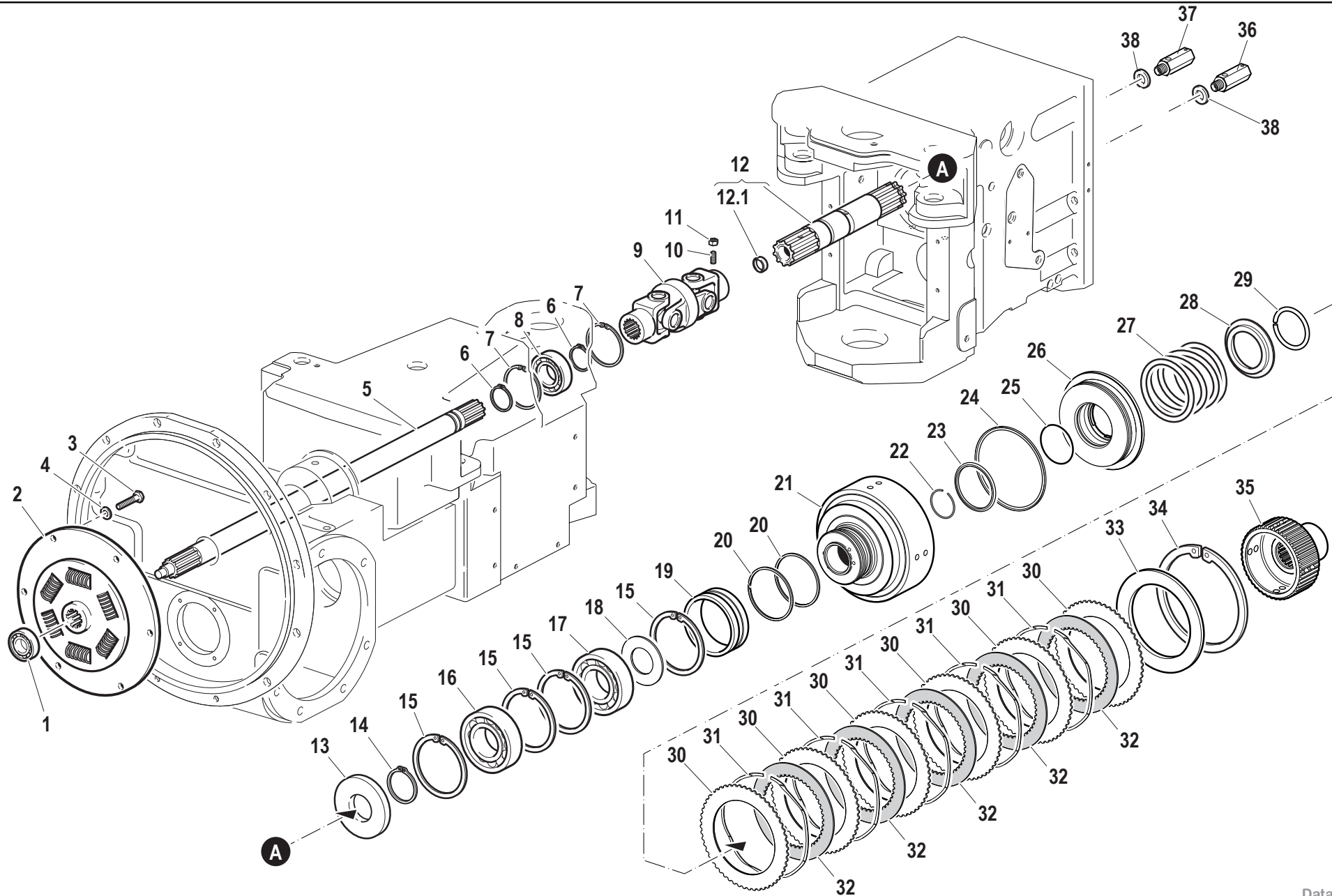
Hp 75

CODE REV

**D.02.01.L70001\_0**

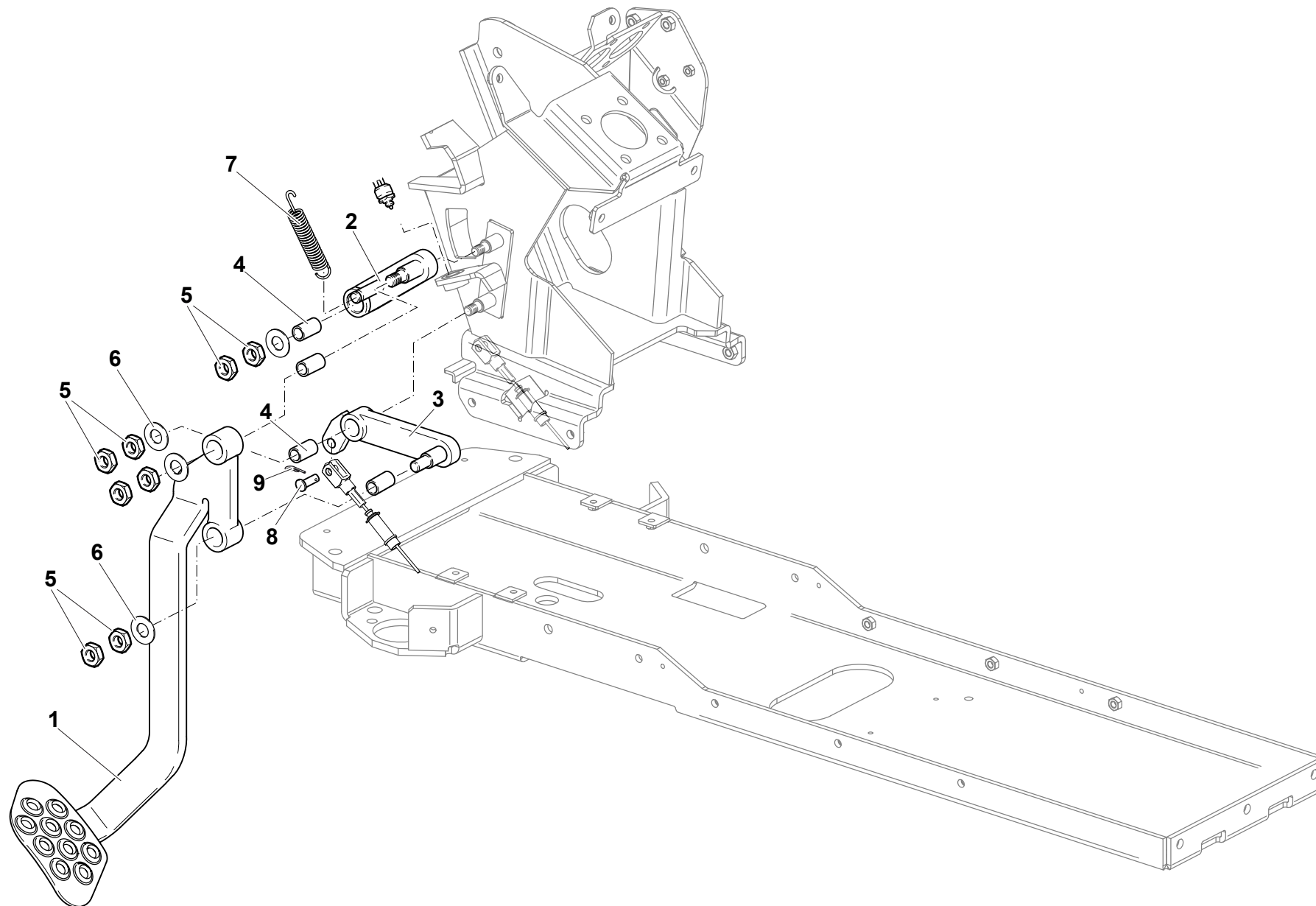


# CLUTCH FRONT SHAFT/ TRANSMISSION CLUTCH



Pos.	Code	Q.ty	Description	Notes
13	F0802163010	1	SEAL 35x80/10	
1	F0812523050	1	BEARING 6201-2RS	
17	F0812868100	1	BEARING 6307-2Z (35x80x21)	
38	F0843841000	1	COPPER WASHER 12,0x18/1,5	
10	F0862657000	1	GRAIN	

# CLUTCH



Pos.	Code	Q.ty	Description	Notes
10	30000638	1	SWITCH	
6	31411105	4	WASHER 10,5x21	
7	58077613	1	RESTORING SPRING	
4	58176268	4	BUSHING	
2	59077037	1	LEVER	
1	59078773	1	CLUTCH PEDAL	
3	59078774	1	LEVER	
9	F0810510000	1	SPLIT PIN A2,0X20 UNI 1336	
5	F0814627000	8	NUT M10	
8	F0860058020	1	PIN	

SERIAL  
END

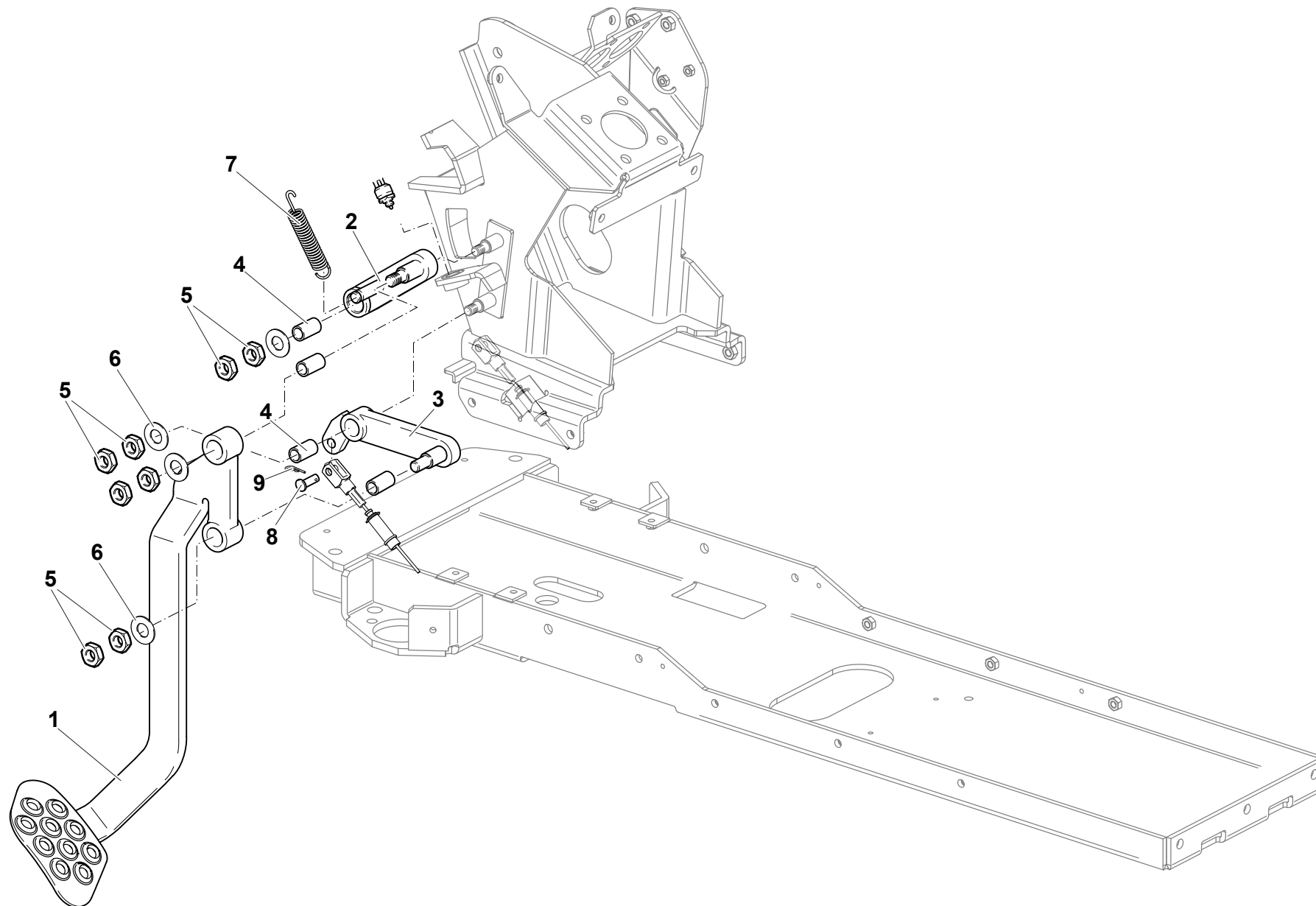
916940

CLUTCH

CODE REV

D.03.01.L70001\_0

# CLUTCH



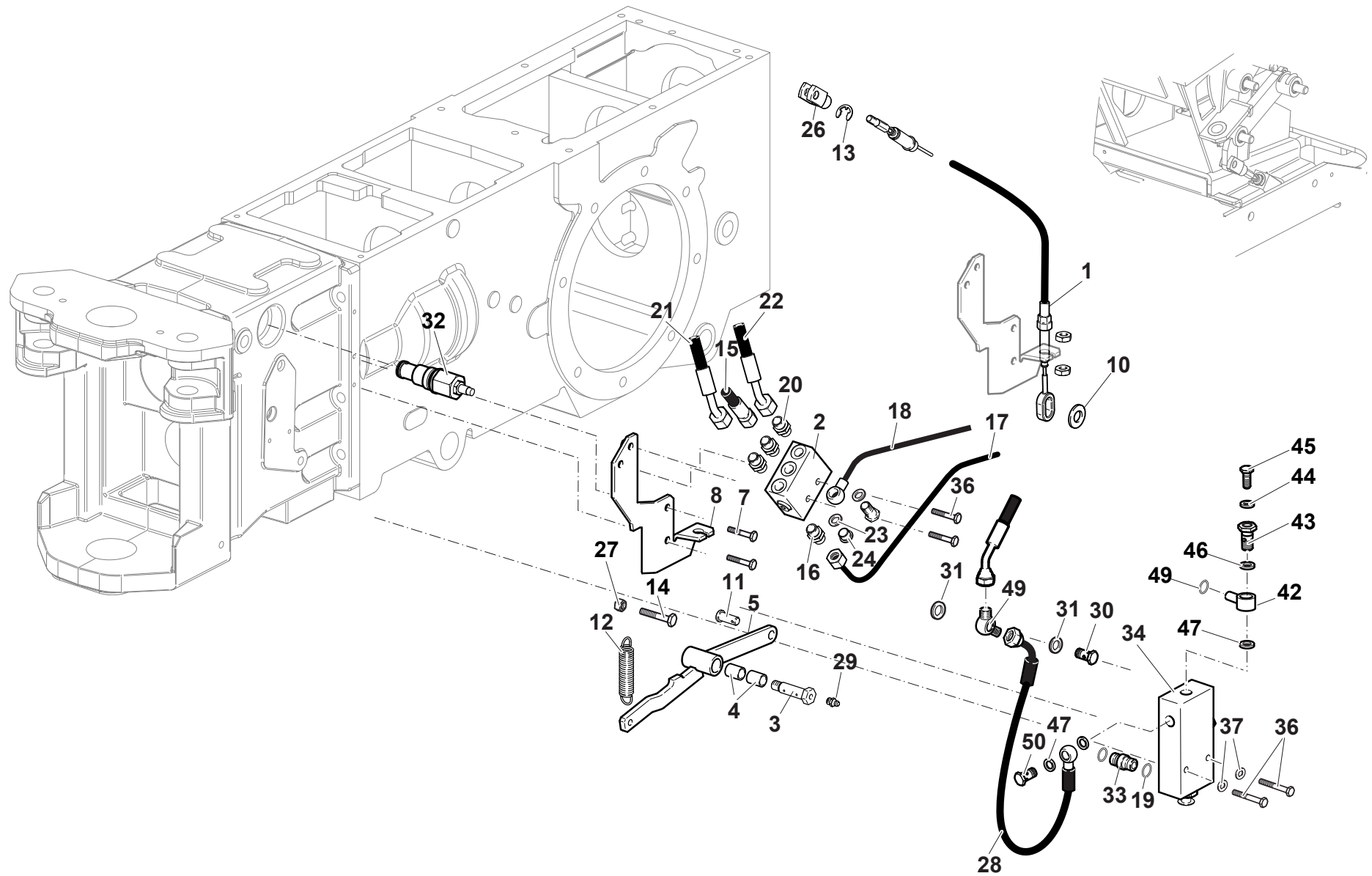
Pos.	Code	Q.ty	Description	Notes
10	30000638	1	SWITCH	
6	31411105	4	WASHER 10,5x21	
7	58077613	1	RESTORING SPRING	
4	58176268	4	BUSHING	
2	59077037	1	LEVER	
1	59078773	1	CLUTCH PEDAL	
3	59078774	1	LEVER	
9	F0810510000	1	SPLIT PIN A2,0X20 UNI 1336	
5	F0814627000	8	NUT M10	
8	F0860058020	1	PIN	

SERIAL  
START  
**916941**

**CLUTCH**

CODE REV  
**D.03.01.L70001\_1**

CLUTCH CONTROLS



Pos.	Code	Q.ty	Description	Notes
29	30000007	1	LUBRICATOR	
7	31111091	2	SCREW E M6X14 UNI 5739 8G	
10	31411084	1	WASHER 8,4x17	
13	35211090	1	SEEGER RING	
49	38110992	1	O-RING	
33	56170029	1	PIPE FITTING	
3	56173684	1	PIN	
38	56178695	1	THREADED TERMINAL END	
12	58070790	1	RESTORING SPRING	
46	58074558	1	PIPE FITTING	
15	58078640	1	FLEXIBLE HOSE	
22	58078641	1	FLEXIBLE HOSE	
21	58078642	1	FLEXIBLE HOSE	
28	58079387	1	FLEXIBLE HOSE	
34	58173030	1	SWITCH	
4	58173195	2	BUSHING	
16	58174547	1	NIPPLE	
2	58176358	1	VALVE	
32	58177754	1	VALVE	
1	58178904	1	CABLE	
45	59074623	1	PRESSURE PIPE	
18	59078673	1	PRESSURE PIPE	
17	59078674	1	PRESSURE PIPE	
5	59078775	1	ROCKER	
8	59078781	1	FIXING BRACKET	
52	59079389	1	EYELET	
9	F0810510000	1	SPLIT PIN A2,0X20 UNI 1336	
27	F0814569000	1	NUT	
31	F0824110000	2	COPPER WASHER 3/8 GAS	
20	F0835022000	4	NIPPLE	
53	F0843107000	1	PIPE FITTING GAS 1/4	
30	F0843109020	1	PIPE FITTING	
25	F0843570000	4	WASHER 6	
37	F0843581010	2	SPRING WASHER 6	

SERIAL  
END

**916940**

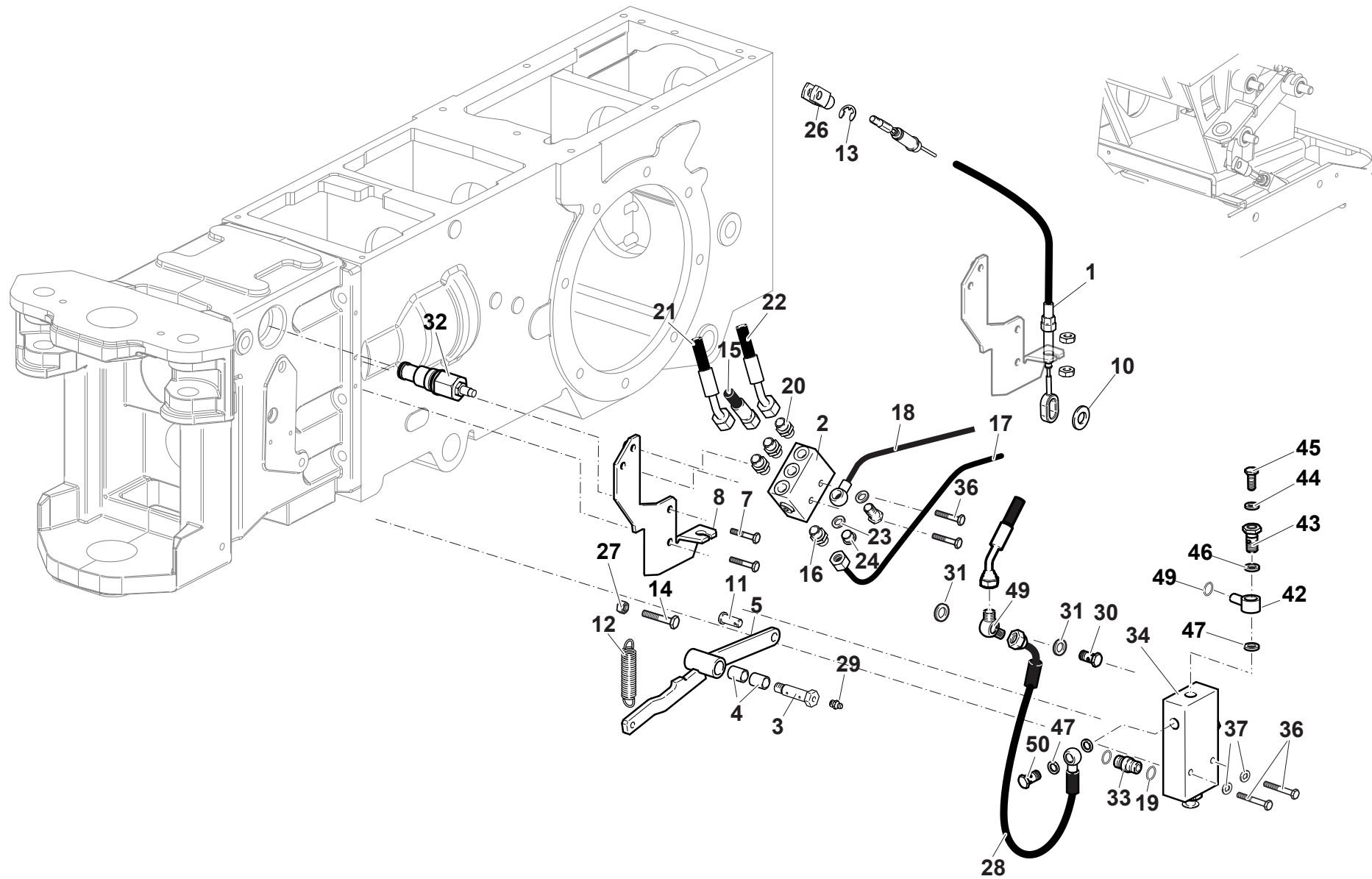
**CLUTCH CONTROLS**

CODE REV

**D.03.02.L70001\_0**

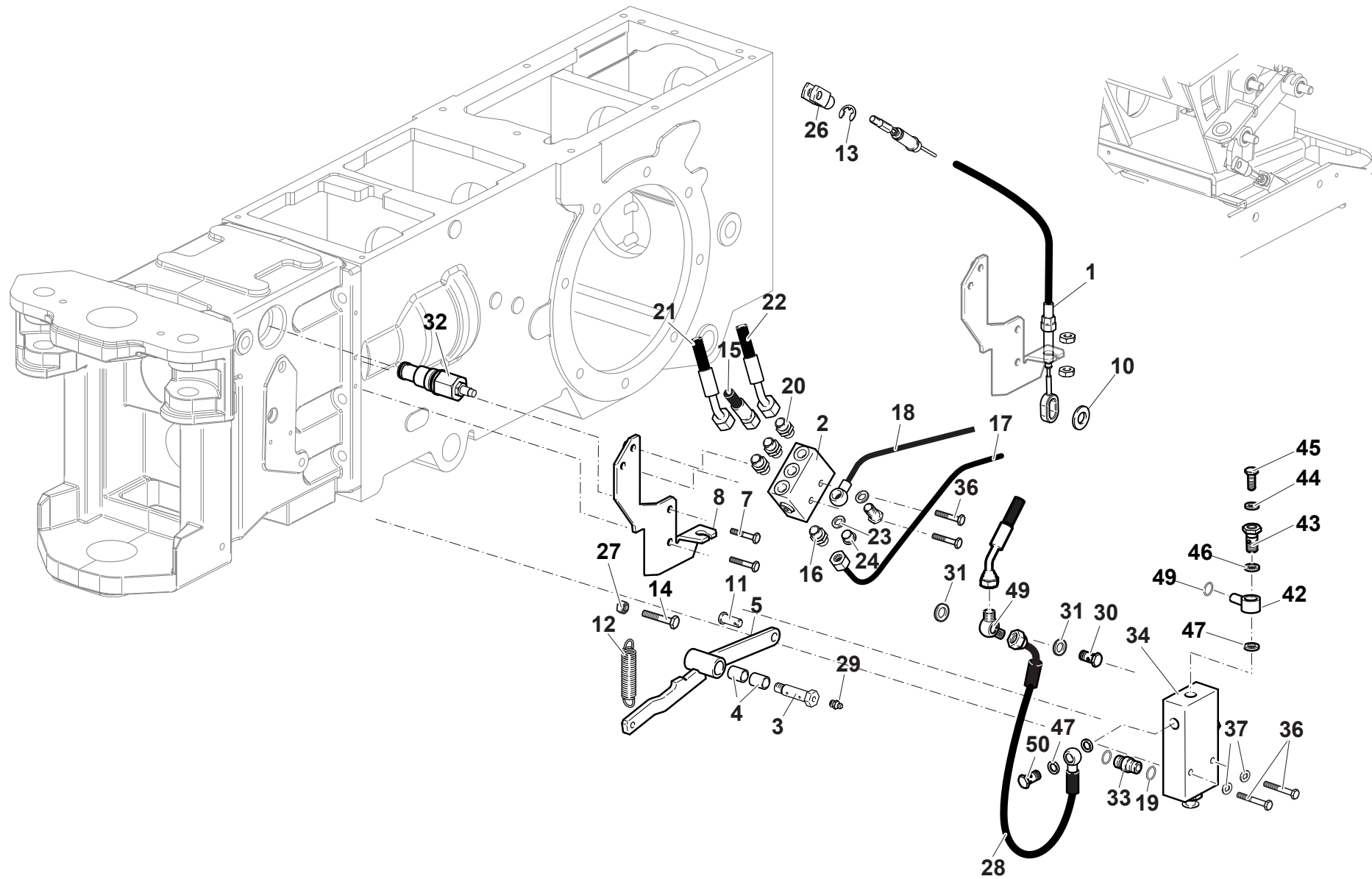


# CLUTCH CONTROLS



Pos.	Code	Q.ty	Description	Notes
47	F0843641000	1	COPPER WASHER 8x14/1,5	
43	F0843643060	8	WASHER 8	
23	F0843771000	6	COPPER WASHER 10,0x16/1	
50	F0843907000	4	COPPER WASHER 13,66x19/1,5	
24	F0852538010	1	PLUG	
26	F0860058010	1	FORK	
11	F0860058020	1	PIN	
36	F0862345000	4	SCREW M6X40 UNI 5737	
48	F0862448100	1	SCREW M8X10 UNI 5740	
14	F0862694000	1	SCREW M8X170 UNI 5737	
39	P254124000000	1	WASHER	

# CLUTCH CONTROLS



Pos.	Code	Q.ty	Description	Notes
29	30000007	1	LUBRICATOR	
7	31111091	2	SCREW E M6X14 UNI 5739 8G	
10	31411084	1	WASHER 8,4x17	
13	35211090	1	SEEGER RING	
49	38110992	1	O-RING	
33	56170029	1	PIPE FITTING	
3	56173684	1	PIN	
38	56178695	1	THREADED TERMINAL END	
12	58070790	1	RESTORING SPRING	
46	58074558	1	PIPE FITTING	
15	58078640	1	FLEXIBLE HOSE	
22	58078641	1	FLEXIBLE HOSE	
21	58078642	1	FLEXIBLE HOSE	
28	58079387	1	FLEXIBLE HOSE	
34	58173030	1	SWITCH	
4	58173195	2	BUSHING	
16	58174547	1	NIPPLE	
2	58176358	1	VALVE	
32	58177754	1	VALVE	
1	581A0471	1	CABLE	
45	59074623	1	PRESSURE PIPE	
18	59078673	1	PRESSURE PIPE	
17	59078674	1	PRESSURE PIPE	
5	59078775	1	ROCKER	
8	59078781	1	FIXING BRACKET	
52	59079389	1	EYELET	
9	F0810510000	1	SPLIT PIN A2,0X20 UNI 1336	
27	F0814569000	1	NUT	
31	F0824110000	2	COPPER WASHER 3/8 GAS	
20	F0835022000	4	NIPPLE	
53	F0843107000	1	PIPE FITTING GAS 1/4	
30	F0843109020	1	PIPE FITTING	
25	F0843570000	4	WASHER 6	
37	F0843581010	2	SPRING WASHER 6	

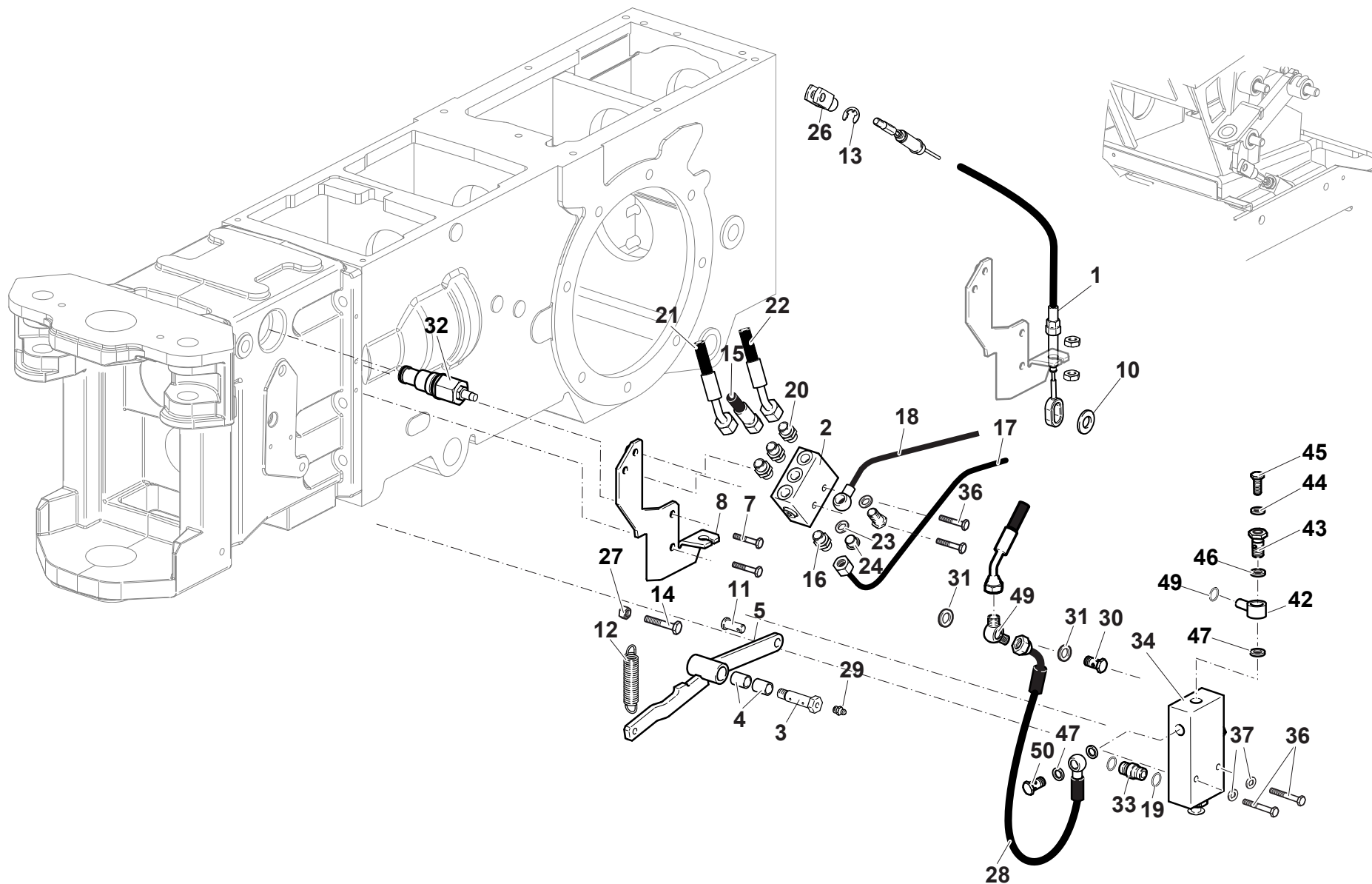
SERIAL  
START  
**916941**

## CLUTCH CONTROLS

CODE REV

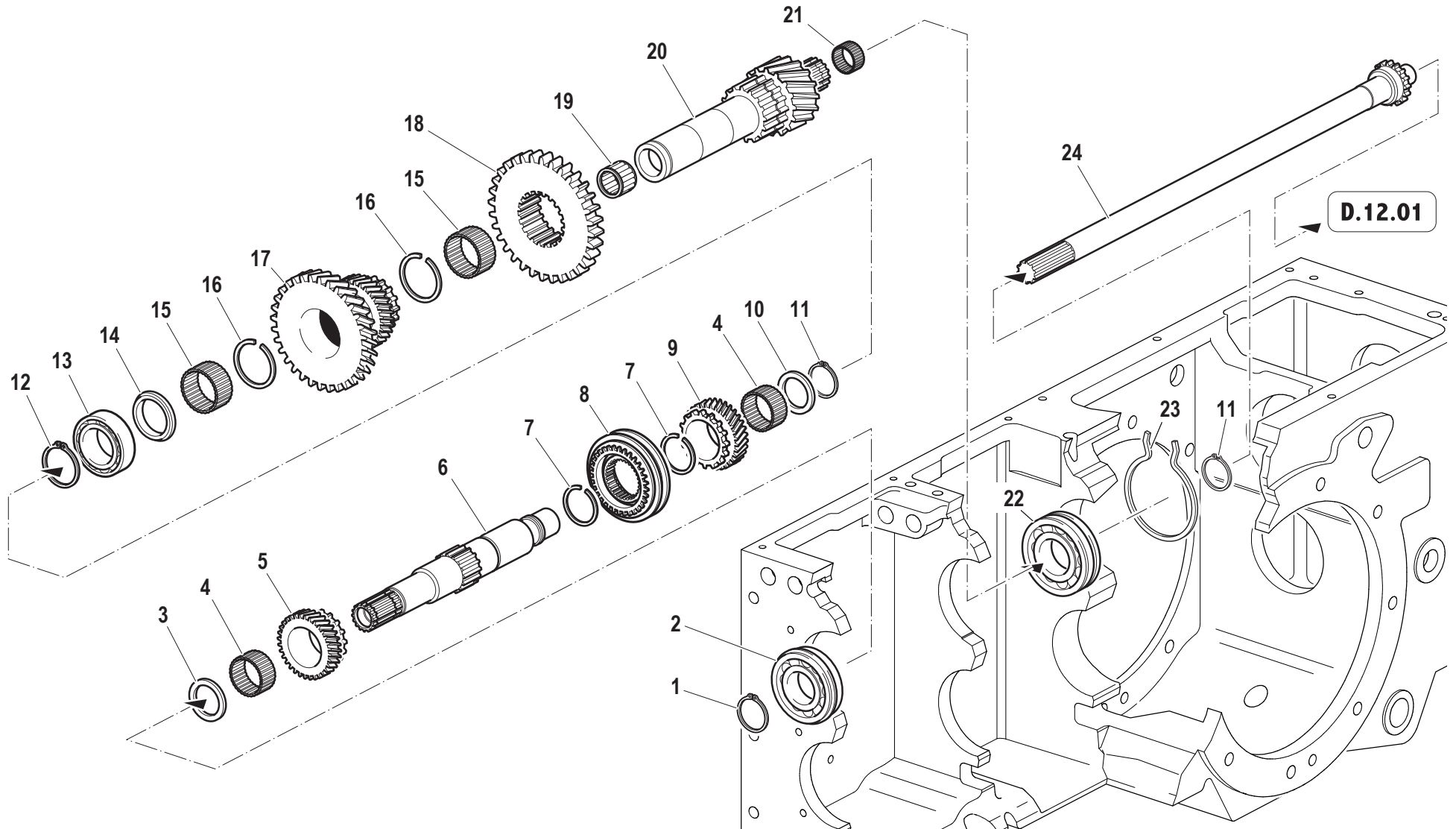
**D.03.02.L70001\_1**

CLUTCH CONTROLS



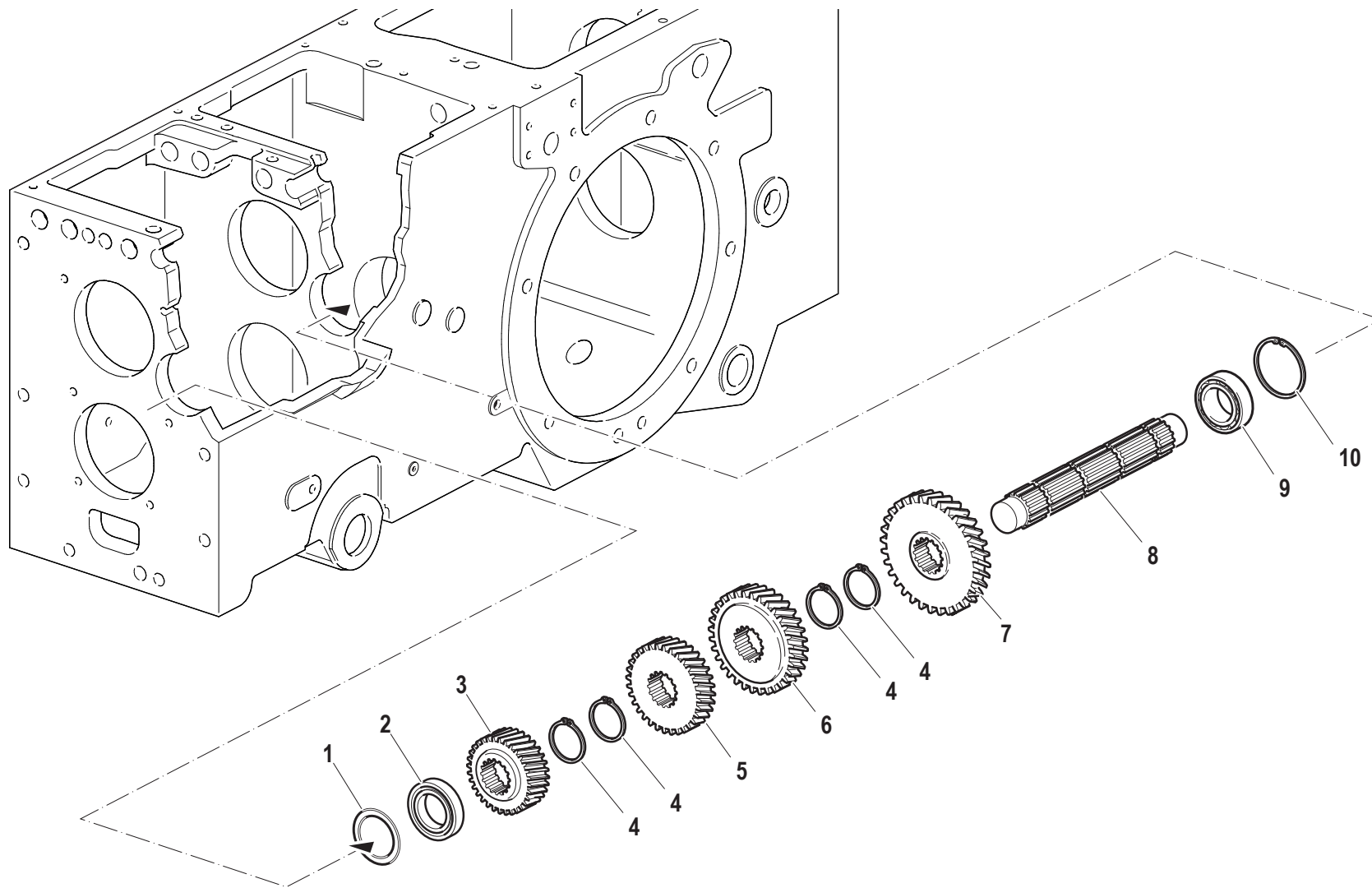
Pos.	Code	Q.ty	Description	Notes
47	F0843641000	1	COPPER WASHER 8x14/1,5	
43	F0843643060	8	WASHER 8	
23	F0843771000	6	COPPER WASHER 10,0x16/1	
50	F0843907000	4	COPPER WASHER 13,66x19/1,5	
24	F0852538010	1	PLUG	
26	F0860058010	1	FORK	
11	F0860058020	1	PIN	
36	F0862345000	4	SCREW M6X40 UNI 5737	
48	F0862448100	1	SCREW M8X10 UNI 5740	
14	F0862694000	1	SCREW M8X170 UNI 5737	
39	P254124000000	1	WASHER	

# INPUT SHAFT / RANGES MAIN SHAFT AND GEARS



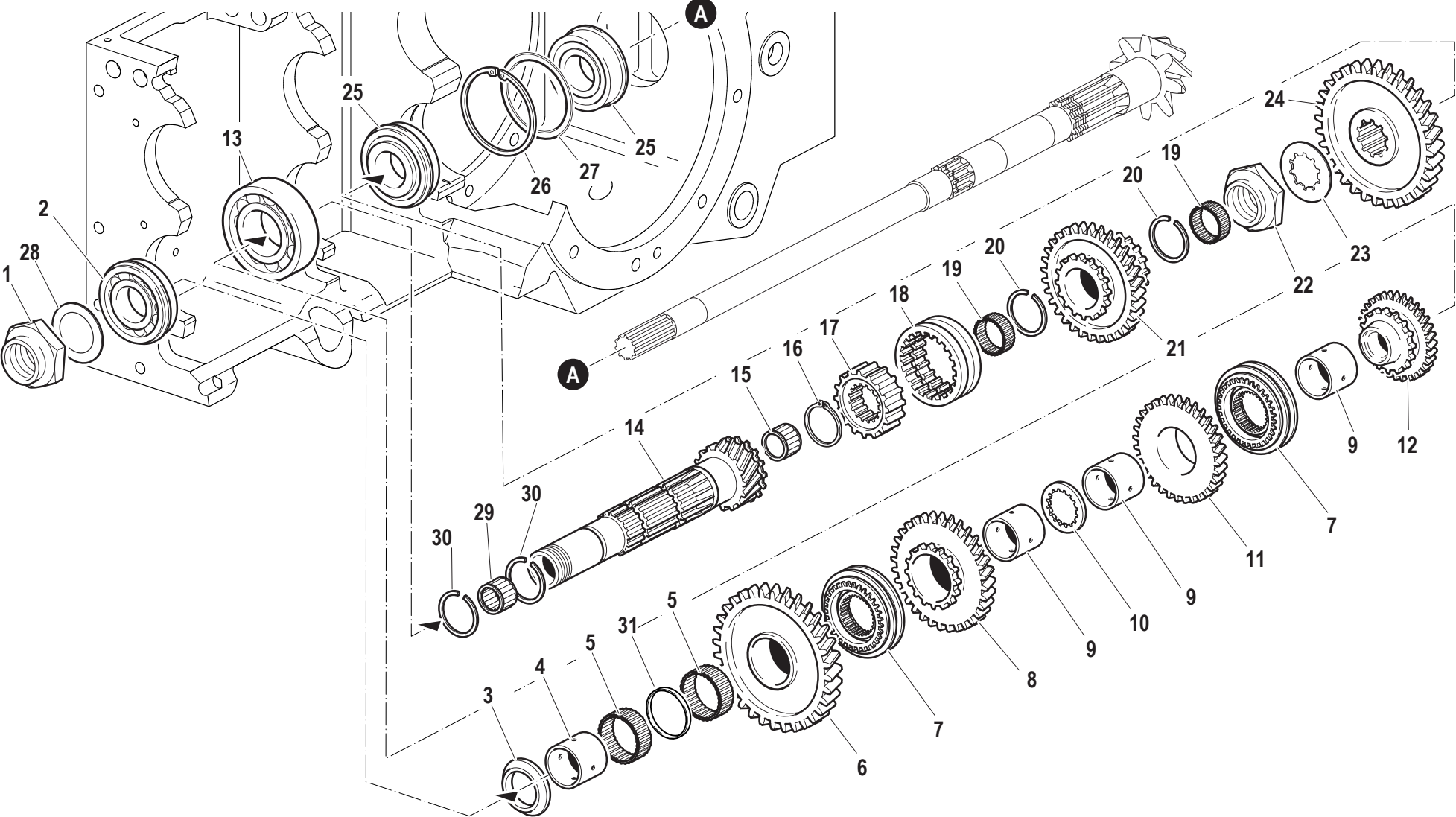
Pos.	Code	Q.ty	Description	Notes
11	35121040	1	SEEGER RING	
13	37112501	1	BEARING	
24	52473656	1	SHAFT	
5	52473838	1	DRIVEN GEAR	
9	52473839	1	GEAR	
17	52478618	1	DOUBLE GEAR	
18	52478619	1	GEAR	
20	52478620	1	OUTPUT SHAFT	
3	56470110	1	SHIM	
14	56470111	1	SHIM	
10	56470139	1	SHIM	
6	56473818	1	SHAFT	
23	58170130	1	CIRCLIP	
8	58170279	1	LOCK SYNCHRONIZER	
1	F0801264050	1	SEEGER RING	
7	F0801331150	2	SAFETY RING	
12	F0801353000	1	SEEGER RING	
16	F0801380100	2	SAFETY RING	
21	F0812660020	1	ROLLER CAGE K 22X26/17	
19	F0812783000	1	ROLLER CAGE K 32X38/20	
2	F0812868000	1	BEARING 6307-NR	
4	F0812878040	2	ROLLER CAGE K 40X45/27	
22	F0812918010	1	BEARING 6308-NR (40x90x23)	
15	F0812951200	2	ROLLER CAGE K 50X55/20 H	





Pos.	Code	Q.ty	Description	Notes
10	35111052	1	SEEGER RING	
9	37111255	1	BEARING	
8	52473827	1	OUTPUT SHAFT	
5	52473829	1	GEAR	
6	52473830	1	GEAR	
7	52473831	1	GEAR	
3	52478612	1	GEAR	
4	F0801241010	4	SEEGER RING	
2	F0812708030	1	BEARING NJ 205E	
1	F0850100000		SHIM 41x51/0,2	
1	F0850100010		SHIM 41x51/0,3	
1	F0850100020		SHIM 41x51/0,5	

GEARS TRANSMISSION SHAFT / GEARS



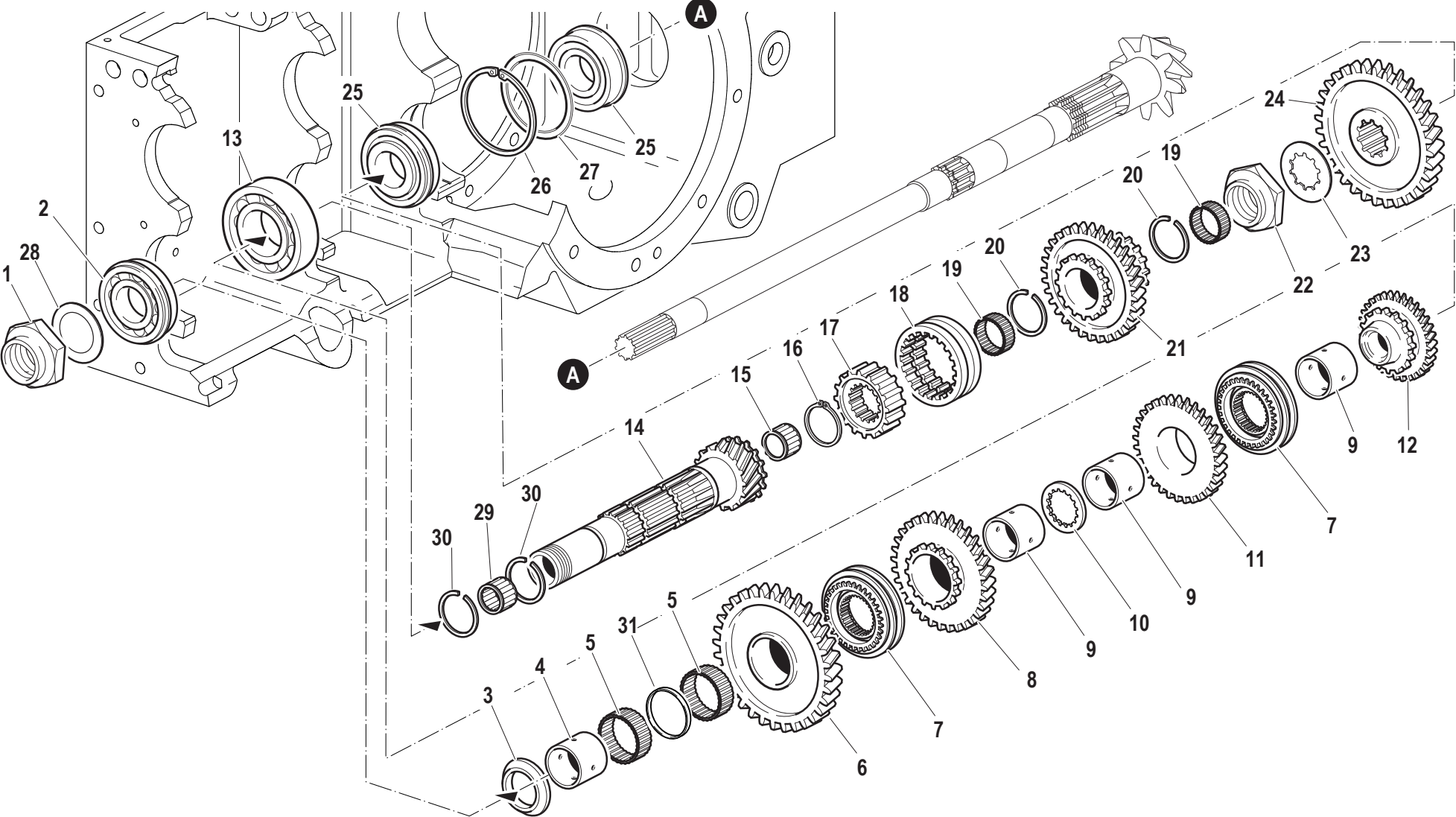
Pos.	Code	Q.ty	Description	Notes
26	35111080	1	SEEGER RING	
16	35121035	1	SEEGER RING	
25	37221320	2	BEARING	
18	52470117	1	SLIDING SLEEVE	
17	52470118	1	SLEEVE	
8	52473835	1	DRIVEN GEAR	
11	52473836	1	DRIVEN GEAR	
12	52473837	1	DRIVEN GEAR	
6	52478609	1	DRIVEN GEAR	
3	52478611	1	SHIM	
14	52478613	1	COUNTERSHAFT	
21	52478615	1	DOUBLE GEAR	
24	52478617	1	GEAR	
23	56170760		RETAINING WASHER SP.1,0	
23	56174692		RETAINING WASHER SP.0,8	
23	56174693		RETAINING WASHER SP.0,9	
23	56174694		RETAINING WASHER SP.1,1	
23	56174695		RETAINING WASHER SP.1,2	
23	56175367		RETAINING WASHER SP.1,3	
31	56278614	1	SPACER	
27	56370089		RING	
27	56370127		RING	
27	56370128		RING	
27	56370830		RING	
22	56378616	1	RING NUT	
10	56470137	1	SHIM	
9	56470138	3	BUSHING	
4	56578610	1	BUSHING	
7	58171139	2	LOCK SYNCHRONIZER	
30	F0801241005	2	SAFETY RING	
20	F0801299100	2	SAFETY RING	
29	F0812689000	1	ROLLER CAGE K 25X30/20 H	
15	F0812692015	1	ROLLER CAGE K 25X35/25	
19	F0812811000	2	ROLLER CAGE K 35X40/17	

SERIAL

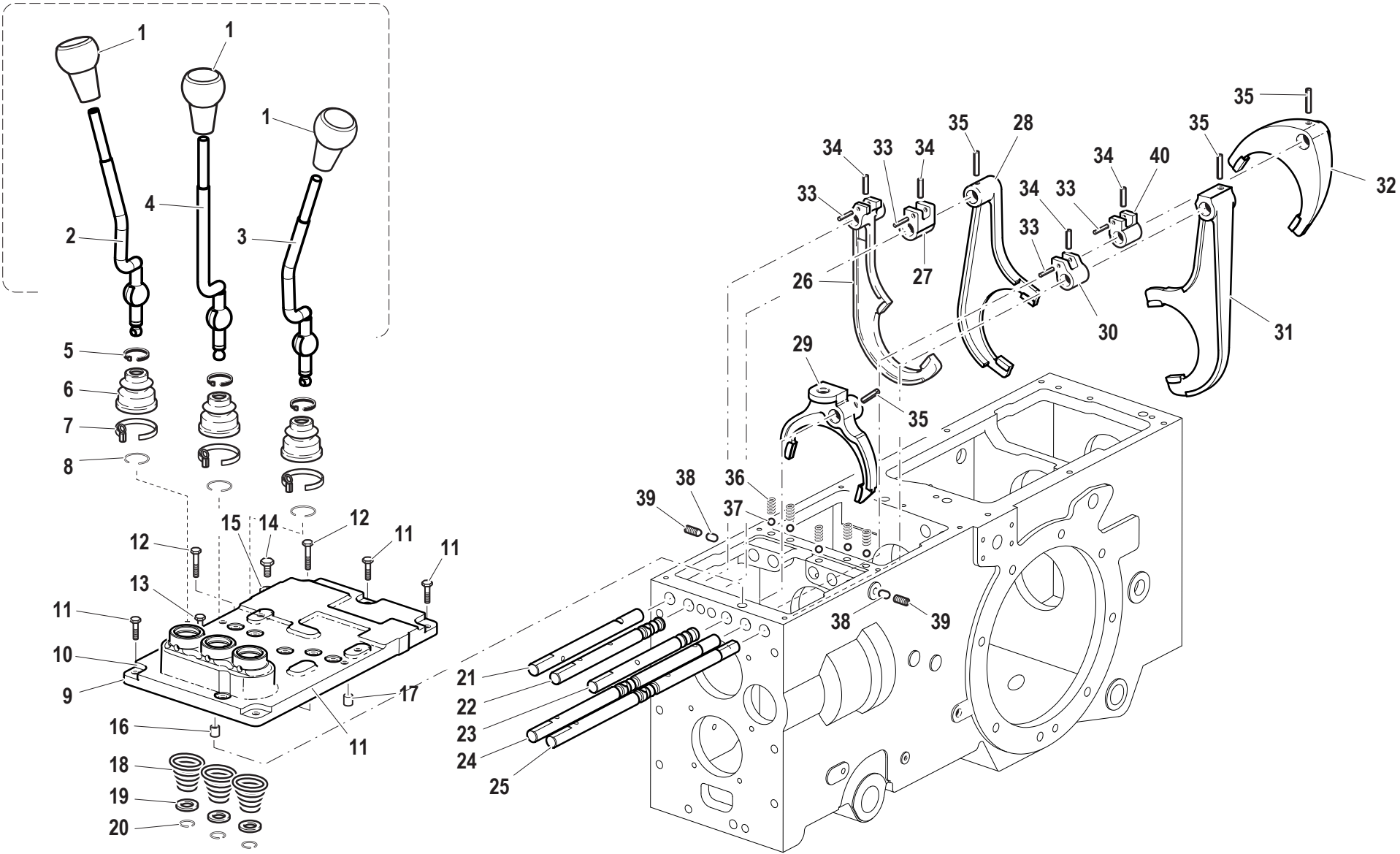
**GEARS TRANSMISSION SHAFT / GEARS**

CODE REV

**D.06.01.L70001\_0**



Pos.	Code	Q.ty	Description	Notes
2	F0812899000	1	BEARING 6208-NR	
5	F0812951070	2	ROLLER CAGE K 47X52/17 H	
13	F0812957000	1	BEARING 6210 (50/90/20)	
1	F0821054000	1	RING NUT KM 8(M40X1,5)DIN 981	
28	F0844539000	1	WASHER	



Pos.	Code	Q.ty	Description	Notes
11	31112146	4	SCREW TE M8X22 UNI 5739 8G	
12	31112152	3	SCREW TE M8X30 UNI 5739 8G	
13	31112154	1	SCREW TE M8X40 UNI 5739 8G	
9	51178808	1	GEARBOX HOUSING COVER	
32	51270771	1	SELECTOR FORK	
31	51278623	1	SELECTOR FORK	
28	52272112	1	SELECTOR FORK	
29	52275888	1	SELECTOR FORK	
26	52275889	1	GEAR FORK	
27	52375896	1	CATCH	
40	52378628	1	CATCH	
30	52378629	1	CATCH	
6	55170053	3	CAP	
16	56170017	1	PIN	
10	56370018	6	HINGE PIN	
23	56370165	1	ROD	
19	56370172	3	SPACER	
14	56370186	5	PLUG	
22	56375894	1	PULL ROD	
21	56375895	1	PULL ROD	
24	56378622	1	PULL ROD	
25	56378630	1	PULL ROD	
17	56570016	1	CYLINDRICAL PLUG	
38	56570125	2	TOGGLE	
18	58070164	3	SPRING	
20	58070168	3	LOCKRING	
8	58070169	3	LOCKRING	
36	58070741	5	SPRING	
7	58170054	3	COLLAR	
1	58174192	3	HANDLE	
3	59075908	2	COMMAND LEVER	
4	59075909	1	COMMAND LEVER	
2	59078624	1	COMMAND LEVER	
5	F0817640003	3	CLAMP 4,8x180	

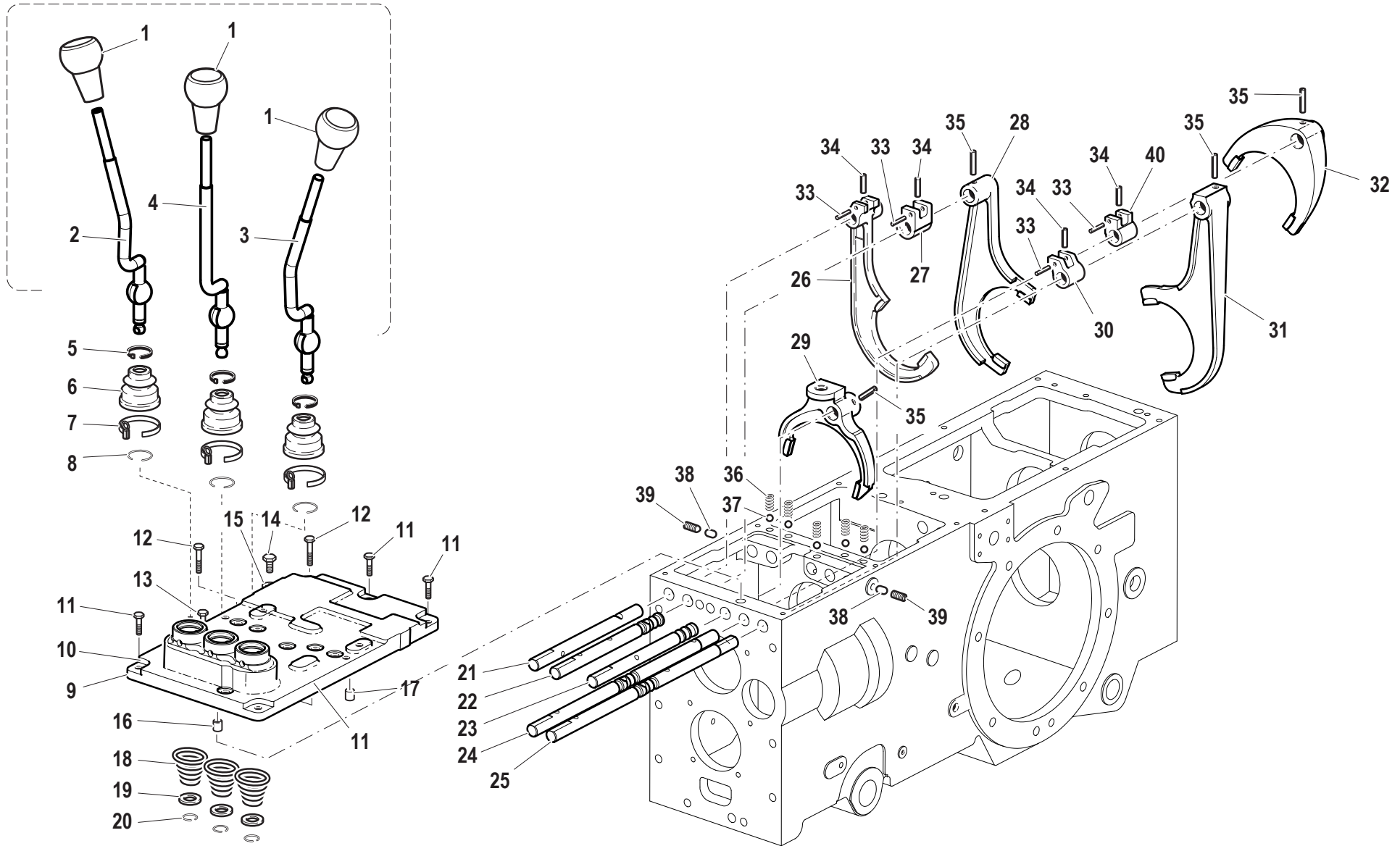
SERIAL

**GEARBOX CONTROLS**

CODE REV

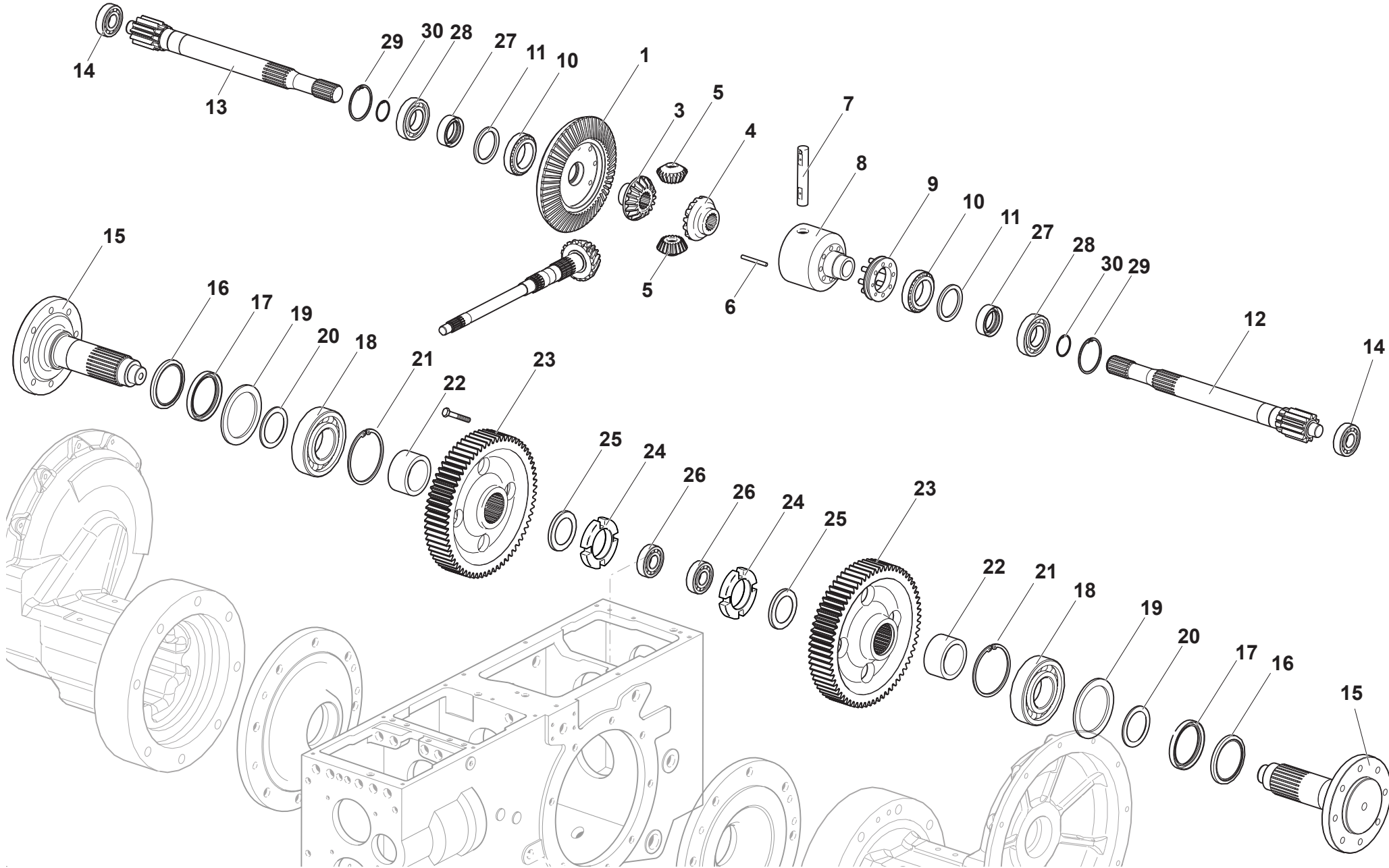
**D.07.01.L70001\_0**





<b>Pos.</b>	<b>Code</b>	<b>Q.ty</b>	<b>Description</b>	<b>Notes</b>
15	F0843771000	5	COPPER WASHER 10,0x16/1	
37	F0847434000	5	BALL	
33	F0851156000	4	PIN 4X30 DIN 1481 CL:C72	
34	F0851262000	4	PIN 6X26 DIN 7343 CL:C72	
35	F0851267050	3	PIN 6X30 DIN 7343 CL:C72	
39	F0863183000	2	SCREW M10X16 UNI 5923	

REAR TRANSMISSION



Pos.	Code	Q.ty	Description	Notes
30	35111080	2	SEEGER RING	
29	35121040	2	SEEGER RING	
28	37111404	2	BEARING	
14	37211250	2	BEARING	
26	37211330	2	BEARING	
8	51371035	1	HOUSING	
4	52470061	1	PINION	
3	52470062	1	PINION	
5	52470067	2	DIFFERENTIAL PINION	
23	52476245	2	DRIVEN GEAR	
12	52476246	1	PINION	
13	52476247	1	PINION	
15	52576239	2	AXLE	
22	56076249	2	SPACER	
16	56176248	2	PROTECTIVE RING D=95	
25	56176251	2	STOP	
11	56370089	0.3	RING	
11	56370127	0.7	RING	
11	56370128	0.3	RING	
11	56370830	0.7	RING	
6	56371037	1	PIN	
24	56376250	2	RING NUT	
7	56471036	1	PIN	
20	56476252	2	THRUST PLATE	
19	56477437	2	THRUST PLATE	
9	59070065	1	SLEEVE	
1	59376016	1	BEVEL GEAR	
21	F0801455050	2	SEEGER RING	
27	F0802186030	4	SEAL 40X58/9	
17	F0802276050	2	SEAL 75X95/10	
10	F0812956000	2	BEARING 32010 X/Q	
18	F0812978100	2	BEARING 60X130X31 6312	
2	F0863311250	8	SCREW M10x1,5x32	

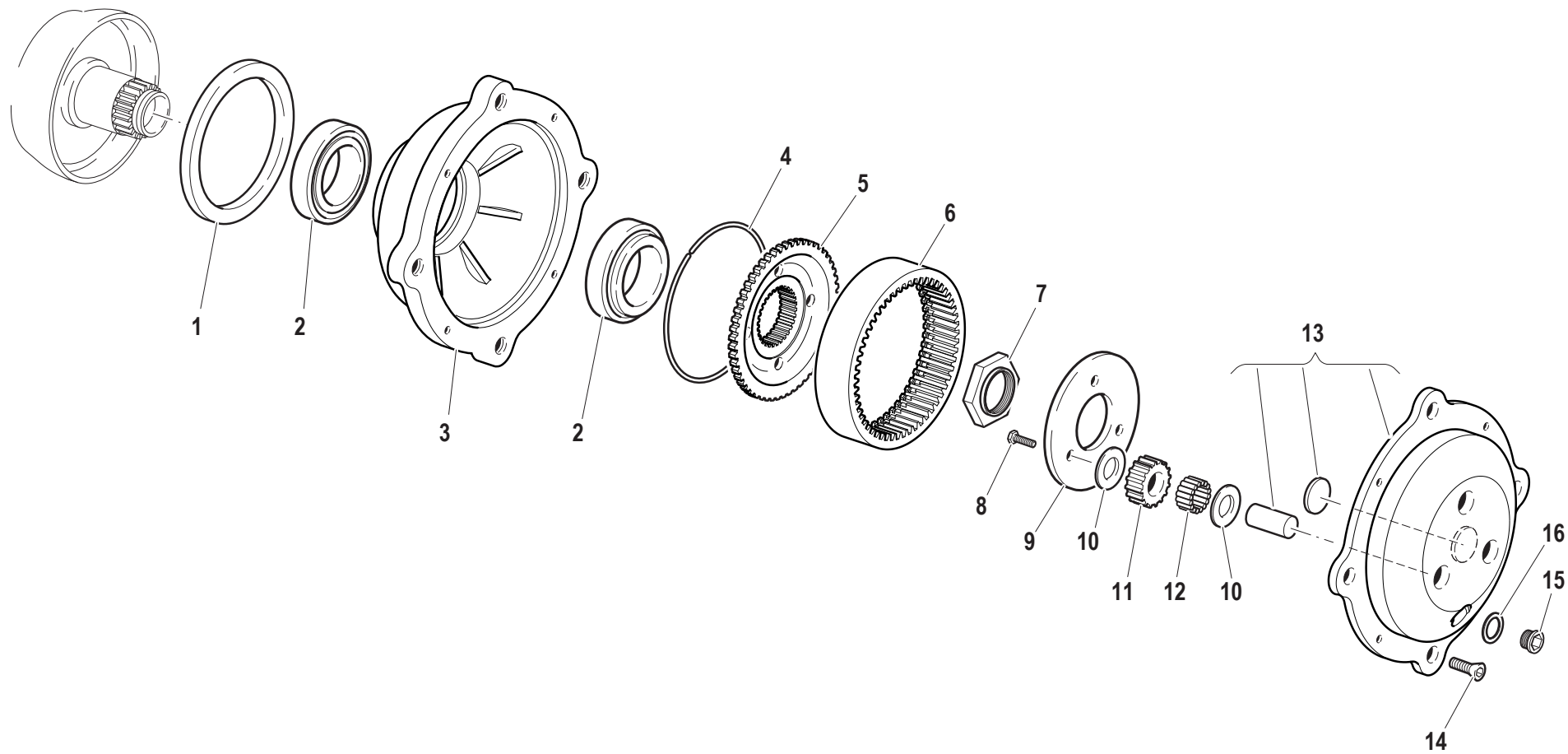
SERIAL

**REAR TRANSMISSION**

CODE REV

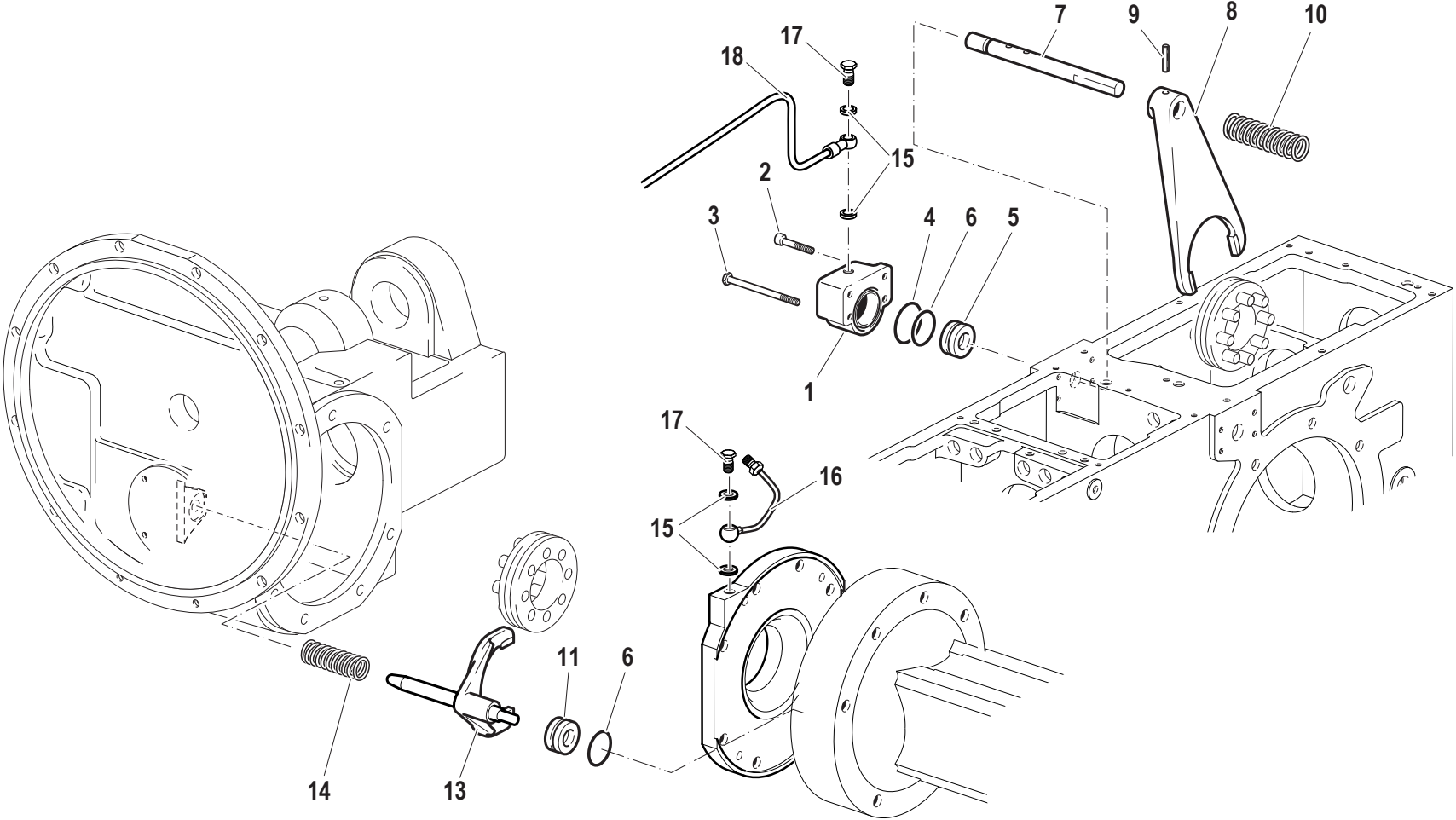
**D.09.01.L70001\_0**

EPYCICLIC REDUCTION GEARS



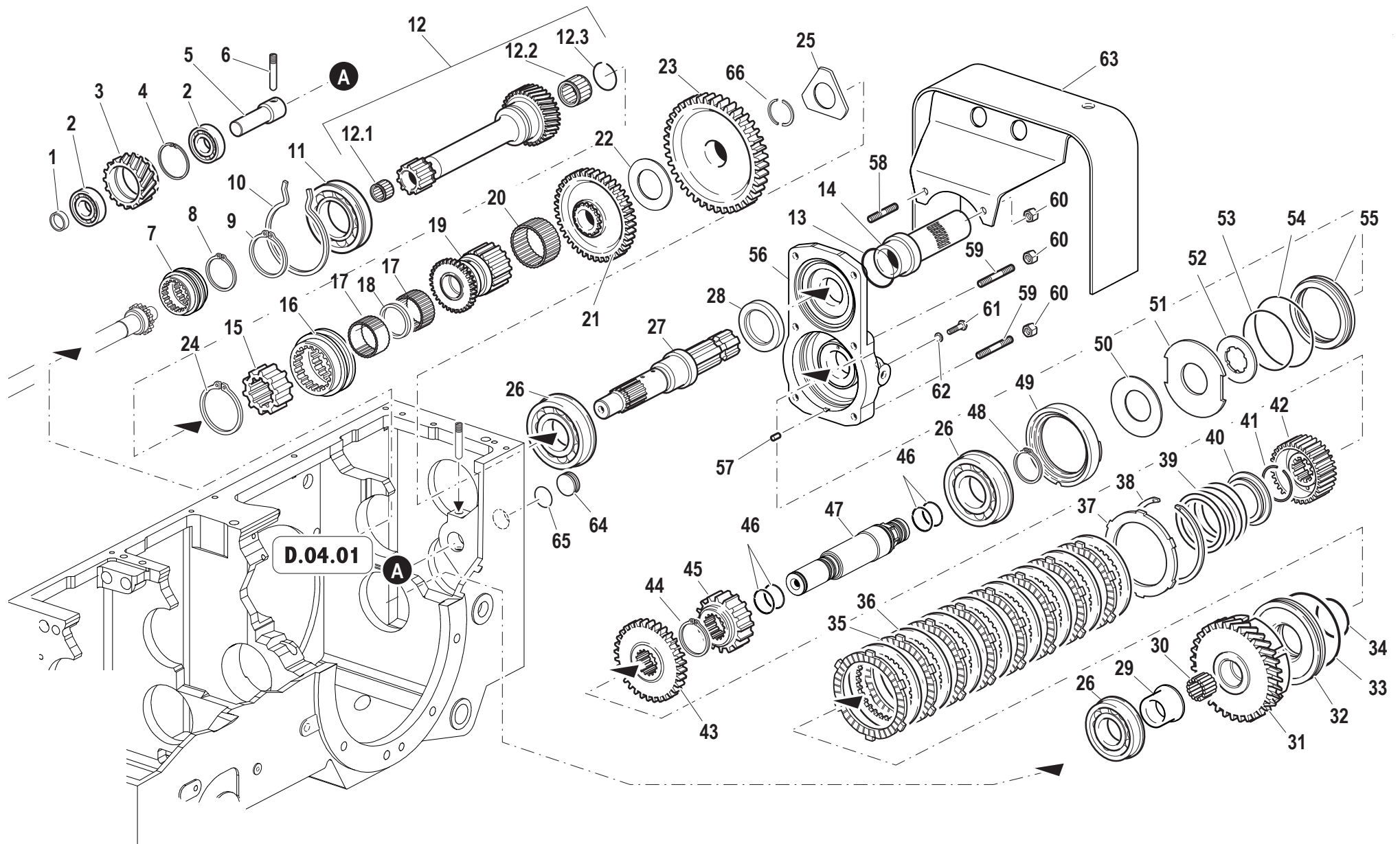
Pos.	Code	Q.ty	Description	Notes
3	51172005	2	HUB	
6	52370072	2	CROWN WHEEL	
5	52370075	2	FLANGE	
11	52470087	6	PLANETARY GEAR	
9	56170074	2	ADJUSTING RING	
10	56370076	12	SHIM	
7	56370079	2	RING NUT	
15	56370081	2	PLUG	
4	58070071	2	RING	
12	58170070	6	ROLLER BEARING	
13	59070094	2	COVER	
1	F0802700150	2	SEAL 125x150x12	
2	F0812975250	4	CYL. ROLLER BEARING 32013X	
16	F0844273090	2	GASKET 22X28X1,5 CU 99,5	
8	F0862478070	6	SCREW M8x16	
14	F0862655000	8	SCREW M8X25-5933	

DIFFERENTIAL LOCK



Pos.	Code	Q.ty	Description	Notes
3	31112161	2	SCREW TE M8X50 UNI 5737 8G	
2	31152085	2	SCREW TCEI M8X25 UNI 5931	
20	34213054	1	ROLL PIN	
8	51278573	1	FORK	
1	52378576	1	LOCKING MECHANISM	
19	56176127	1	BUSHING	
17	56178695	2	THREADED TERMINAL END	
5	56370187	1	PISTON	
11	56370583	1	PISTON	
7	56376256	1	LOCKING DEVICE	
10	58070198	1	SPRING	
14	58070205	1	SPRING	
6	58170195	2	GASKET	
16	59076501	1	PIPE	
18	59078671	1	PIPE	
13	593A0694	1	FORK	
4	F0803209000	1	O-RING	
9	F0851267050	1	PIN 6X30 DIN 7343 CL:C72	
15	P254124000000	4	WASHER	





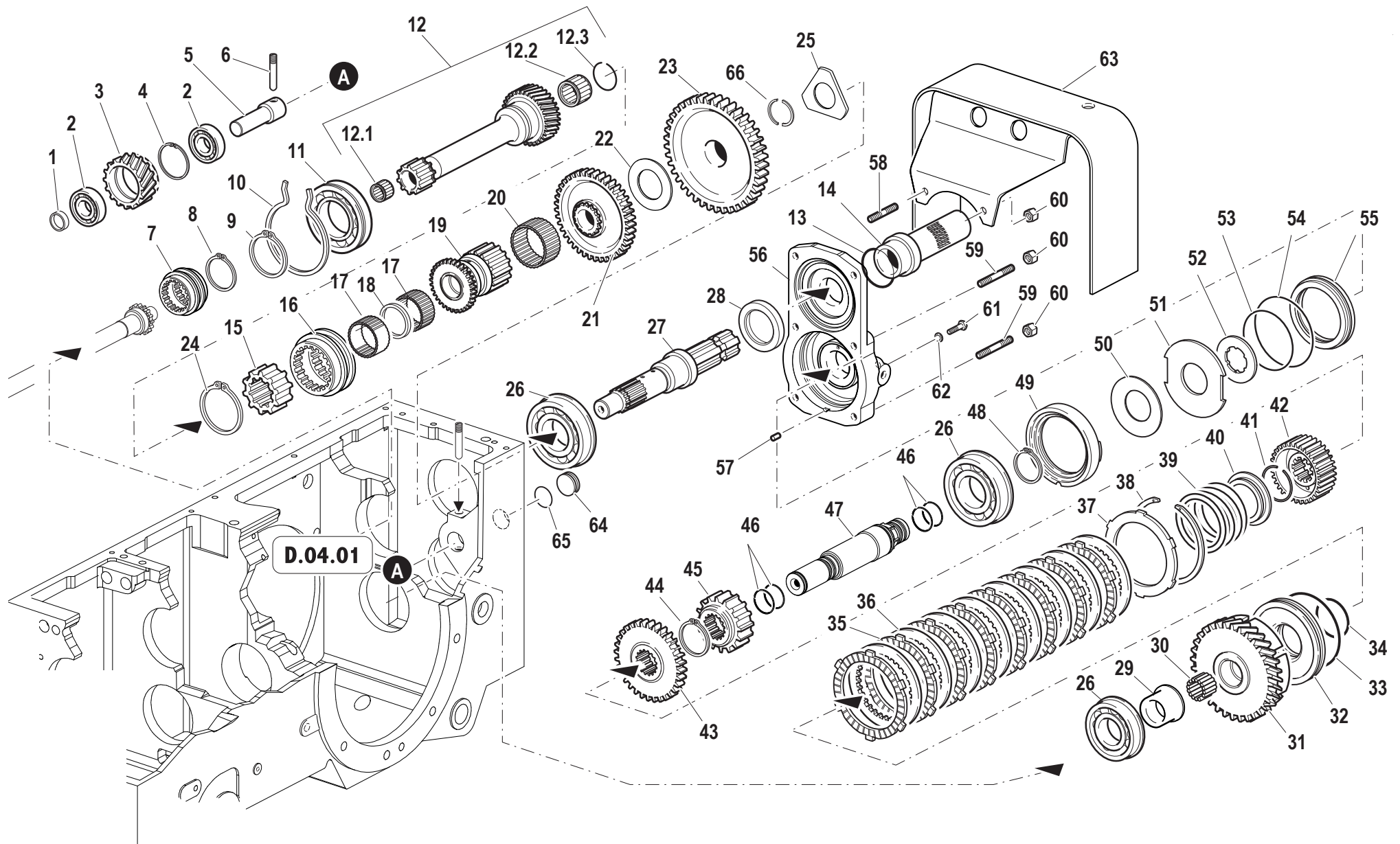
Pos.	Code	Q.ty	Description	Notes
60	31211080	6	NUT M8	
59	31312089	4	STUD BOLT M8x52x14x18	
4	35111047	1	SEEGER RING	
8	35121040	1	SEEGER RING	
18	37931413	1	SAFETY RING	
53	38116317	1	RING	
54	38118720	1	O-RING	
37	52372292	1	RING	
7	52470298	1	SLEEVE	
47	52475561	1	SHAFT	
31	52475562	1	CLUTCH HOUSING	
42	52475565	1	DISC HUB	
23	52475991	1	DRIVEN GEAR	
45	52475992	1	GEAR	
43	52475994	1	GEAR	
16	52476062	1	SHIFTING CLAW	
21	52476065	1	DRIVEN GEAR	
15	52476068	1	SLEEVE	
3	52476868	1	INTERMEDIATE WHEEL	
27	52478565	1	PTO SHAFT	
19	52478568	1	SHIFTING CLAW	
32	53273886	1	PISTON	
55	53273891	1	PISTON	
64	56074313	1	PLUG	
1	56171572	1	SPACER	
5	56174108	1	GEAR PIN	
6	56370178	1	SCREW	
40	56372282	1	RING	
66	56378566	2	HALF RING	
29	56470987	1	BUSHING	
51	56473890	1	BRAKE DISC	
51	56474713	1	BRAKE DISC	
51	56474714	1	BRAKE DISC	
49	56475516	1	SPACER	

SERIAL

**POWER TAKE-OFF**

CODE REV

**D.12.01.L70001\_0**



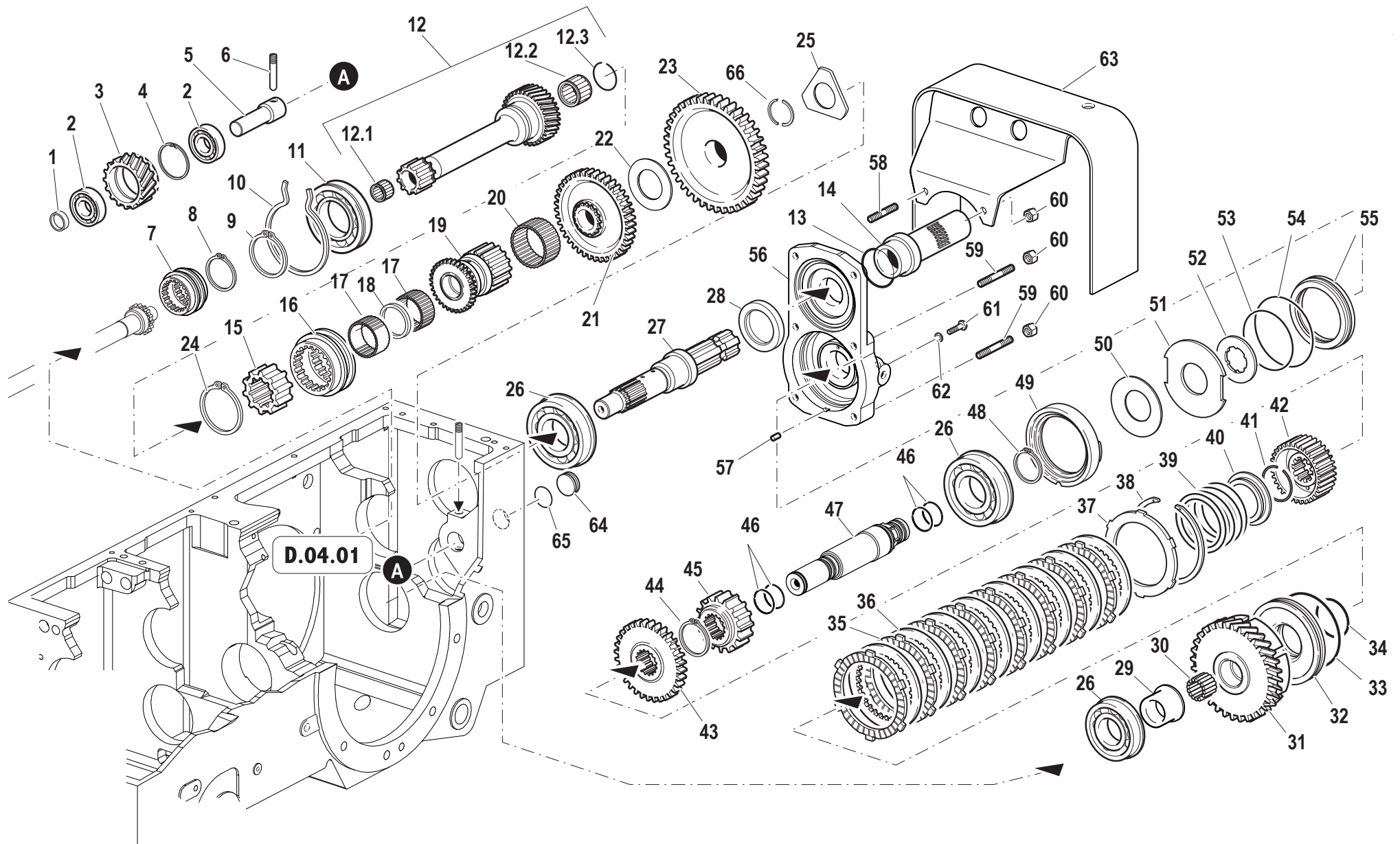
Pos.	Code	Q.ty	Description	Notes
51	56475517	1	BRAKE DISC	
51	56475518	1	CLUTCH DISC	
22	56475568	1	SHIM	
52	56475844	1	CLUTCH DISC	
25	56478567	1	SHIM	
38	58072389	1	CIRCLIP	
46	58072398	4	SEAL	
41	58072399	1	SAFETY RING	
50	58073889	1	CUP SPRING	
39	58074092	1	RESTORING SPRING	
10	58170130	1	CIRCLIP	
33	58172400	1	GASKET	
34	58172402	1	GASKET	
35	58172447	8	DISC	
36	58172448	8	DISC	
63	59074993	1	P.T.O. PROTECTION	
56	59377433	1	COVER	
12	59900376	1	PTO SHAFT	
24	F0801244080	1	SEEGER RING	
12,3	F0801248000	1	SAFETY RING	
44	F0801282050	1	SEEGER RING	
48	F0801297050	1	SEEGER RING	
9	F0801353000	1	SEEGER RING	
28	F0802228005	1	SEAL 48x65/10	
65	F0803199010	1	O-RING	
12,1	F0812599086	1	BUSHING HK1816	
2	F0812637000	2	BEARING 6204 (20x47x14)	
12,2	F0812689050	1	ROLLER CAGE K 25X33/20	
30	F0812736010	1	ROLLER CAGE K 30X35/20 H	
17	F0812784000	2	ROLLER CAGE K 32X37/27 H	
26	F0812918010	1	BEARING 6308-NR (40x90x23)	
20	F0812951300	1	ROLLER CAGE K 50X55/27 H	
11	F0812957010	1	BEARING 6210-N (50/90/20)	
58	F0838154010	2	STUD BOLT M8X25 UNI 5911 8.8	

SERIAL

**POWER TAKE-OFF**

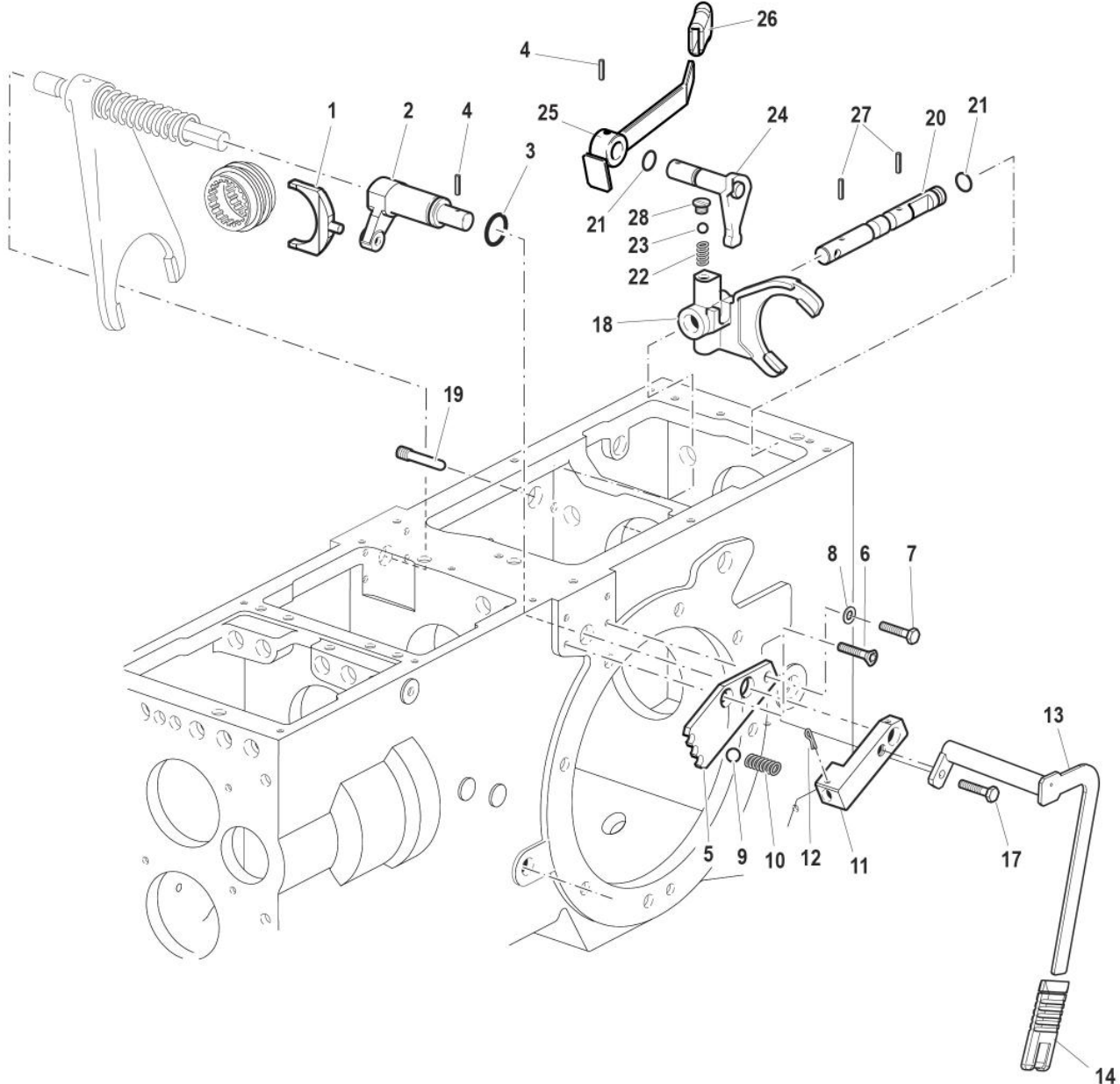
CODE REV

**D.12.01.L70001\_0**



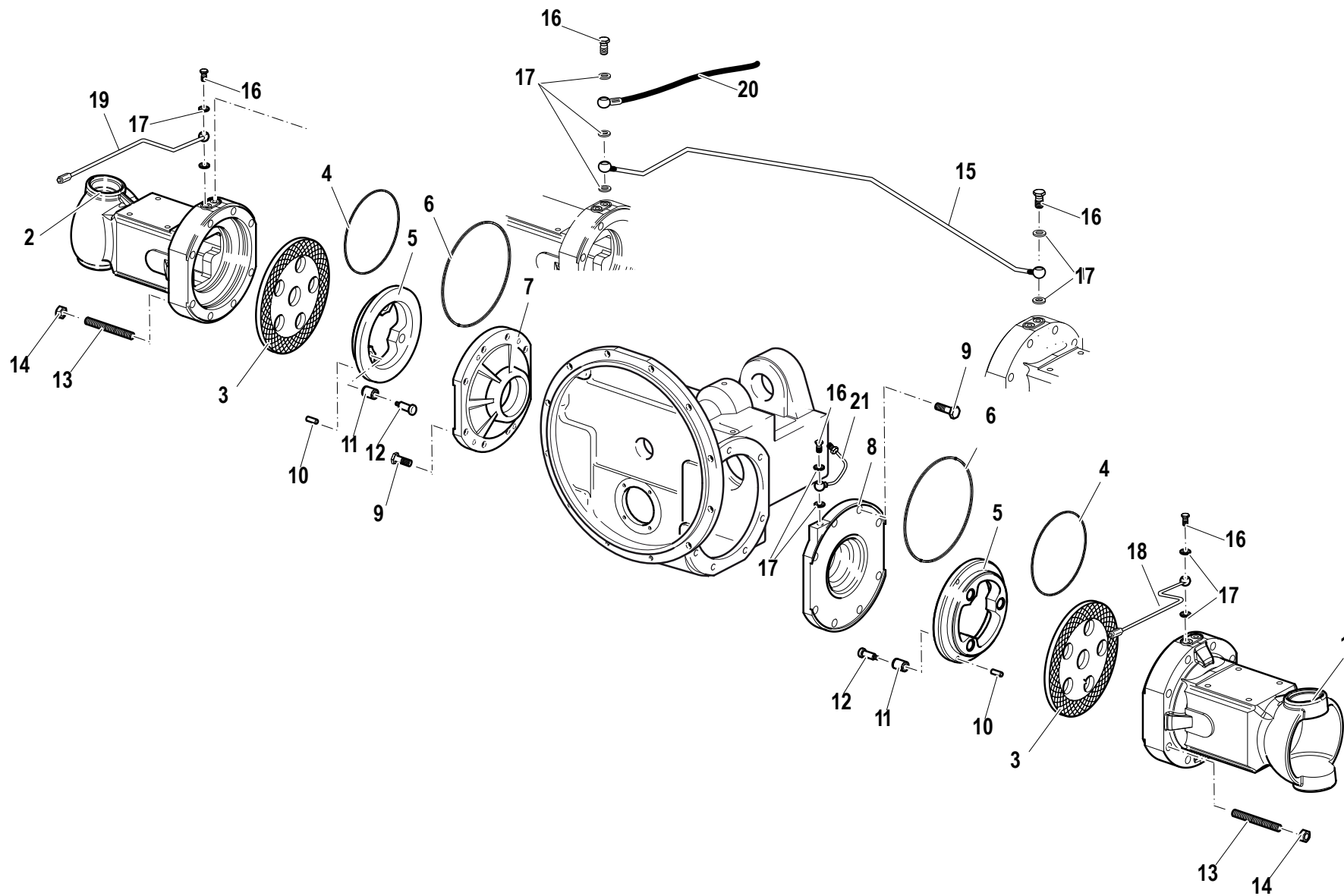
<b>Pos.</b>	<b>Code</b>	<b>Q.ty</b>	<b>Description</b>	<b>Notes</b>
62	F0843641000	1	COPPER WASHER 8x14/1,5	
57	F0851226000	1	PIN 6X12 UNI 1707 CL:C20	
61	F0862448100	1	SCREW M8X10 UNI 5740	
14	P470330000000	1	GUARD	
13	P470433000000	1	PROTECTIVE RING	

# POWER TAKE-OFF CONTROLS



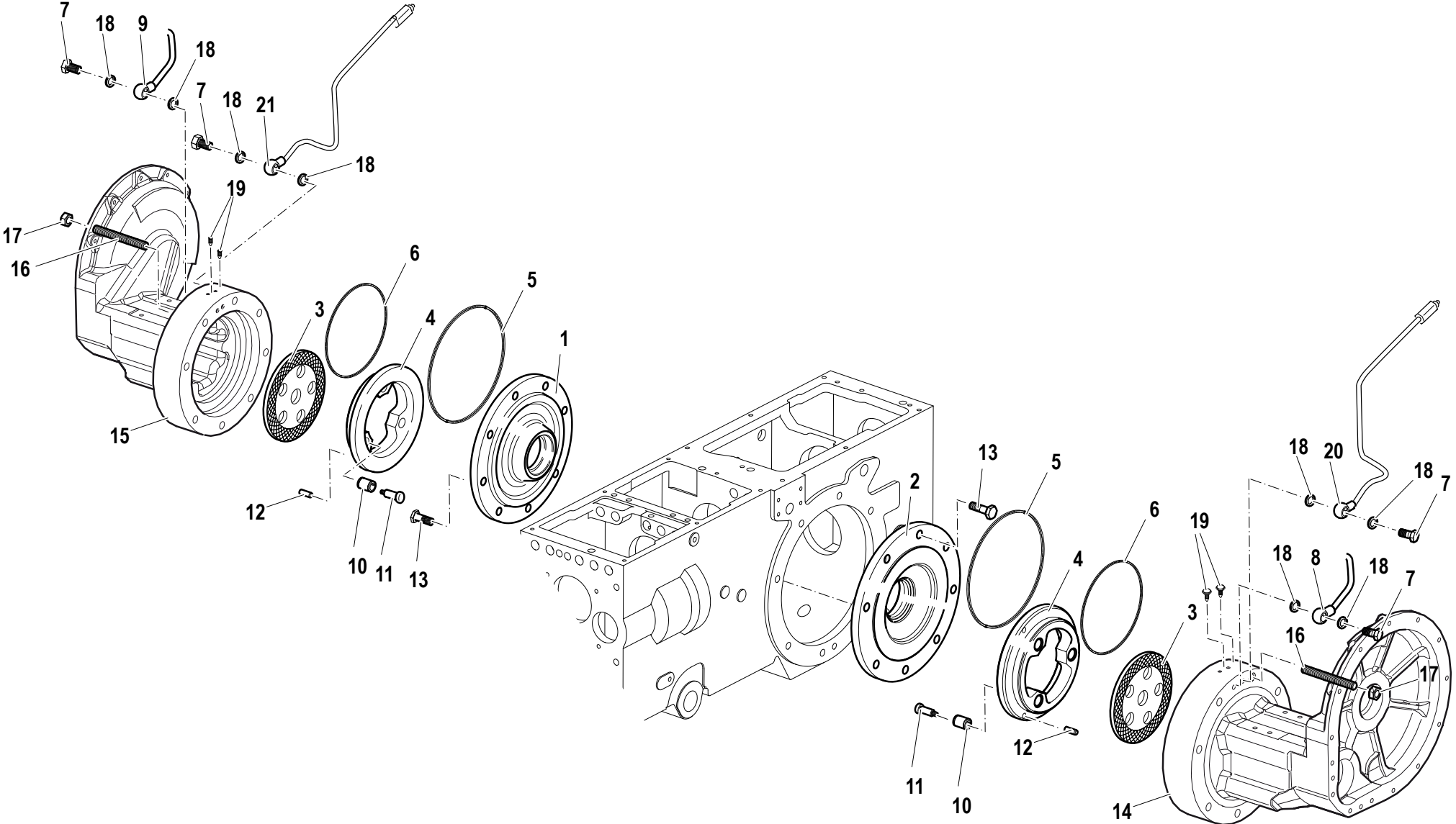
Pos.	Code	Q.ty	Description	Notes
17	31112147	1	SCREW TE M8X18 UNI 5739 8G	
7	31112150	1	SCREW TE M8X20 UNI 5739 8G	
6	31132566	1	SCREW TSVEI M8X20 UNI 5933	
12	34110029	1	SPLIT PIN	
4	34211054	2	ROLL PIN	
21	38111078	2	O-RING	
3	38112200	1	O-RING	
18	51275570	1	SELECTOR FORK	
2	52370152	1	LEVER	
28	56076055	1	PLUG	
5	56178574	1	PLATE	
11	56178575	1	LEVER	
19	56370178	1	SCREW	
20	56375571	1	ROD	
1	56470299	1	SELECTOR FORK	
10	58070741	1	SPRING	
22	58070741	2	SPRING	
14	58175187	1	KNOB	
24	59075572	1	LEVER	
13	59078688	1	PTO LEVER	
25	59078865	1	LEVER	
26	F0828468050	1	GRIP	
16	F0843643060	1	WASHER 8	
23	F0847434000	2	BALL	
9	F0847434000	1	BALL	
27	F0851180000	2	PIN 5X26 DIN 1481 CL:C72	



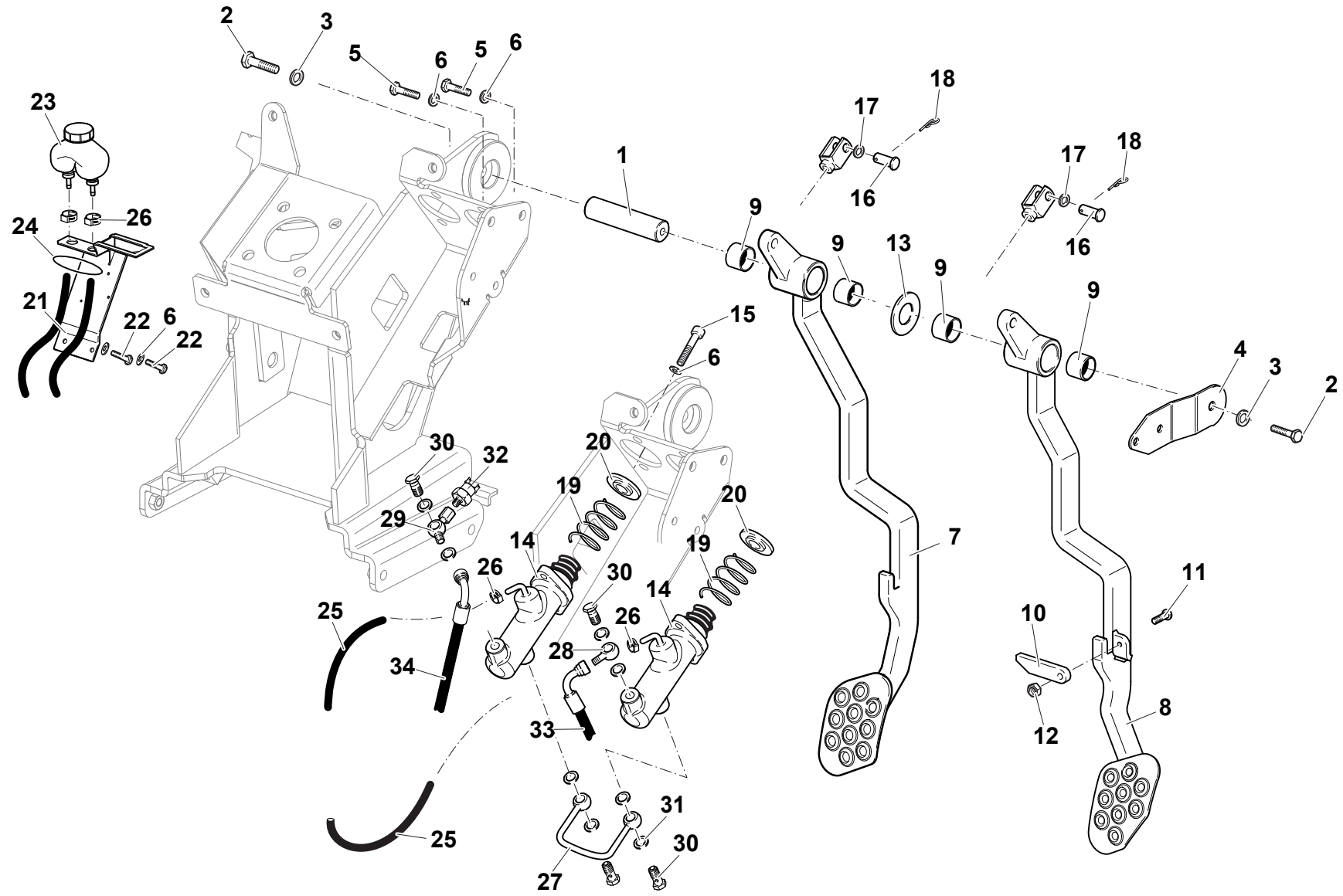


Pos.	Code	Q.ty	Description	Notes
9	31112147	1	SCREW TE M8X18 UNI 5739 8G	
5	51176605	1	PISTON	
7	51275781	1	SUPPORT	
8	51275782	1	SUPPORT	
1	51279080	1	FRONT AXLE HOUSING	
2	51376779	1	FRONT AXLE HOUSING	
16	56178695	5	THREADED TERMINAL END	
11	56376607	1	BUSHING	
3	58075788	2	BRAKE DISC	
10	58076254	1	PIN	
12	58076606	1	SCREW	
4	58076609	2	GASKET	
6	58076759	1	GASKET	
20	58078640	1	FLEXIBLE HOSE	
21	59076501	1	PIPE	
18	59077319	1	PIPE	
19	59078596	1	PIPE	
15	59078597	1	CONNECTION PIPE	
14	F0814750010	1	NUT M14X1,5	
13	F0838726050	1	STUD BOLT M14x1.5x80UNI5912	
17	P254124000000	11	WASHER	

REAR BRAKE



Pos.	Code	Q.ty	Description	Notes
13	31112147	16	SCREW TE M8X18 UNI 5739 8G	
17	31313295	10	STUD BOLT	
16	31313315	6	STUD BOLT	
4	51176604	2	PISTON	
14	51179401	1	REDUCTION BOX	
15	51179402	1	REDUCTION BOX	
2	51275774	1	SUPPORT	
1	51275775	1	SUPPORT	
7	56178695	4	THREADED TERMINAL END	
10	56376607	6	BUSHING	
3	58075696	2	BRAKE DISC	
12	58076254	6	PIN	
11	58076606	6	SCREW	
6	58076760	2	GASKET	
5	58076761	2	GASKET	
19	58179399	4	PLUG	
9	59078673	1	PRESSURE PIPE	
8	59078674	1	PRESSURE PIPE	
20	59078675	1	PIPE	
21	59078676	1	PIPE	
18	P254124000000	4	WASHER	



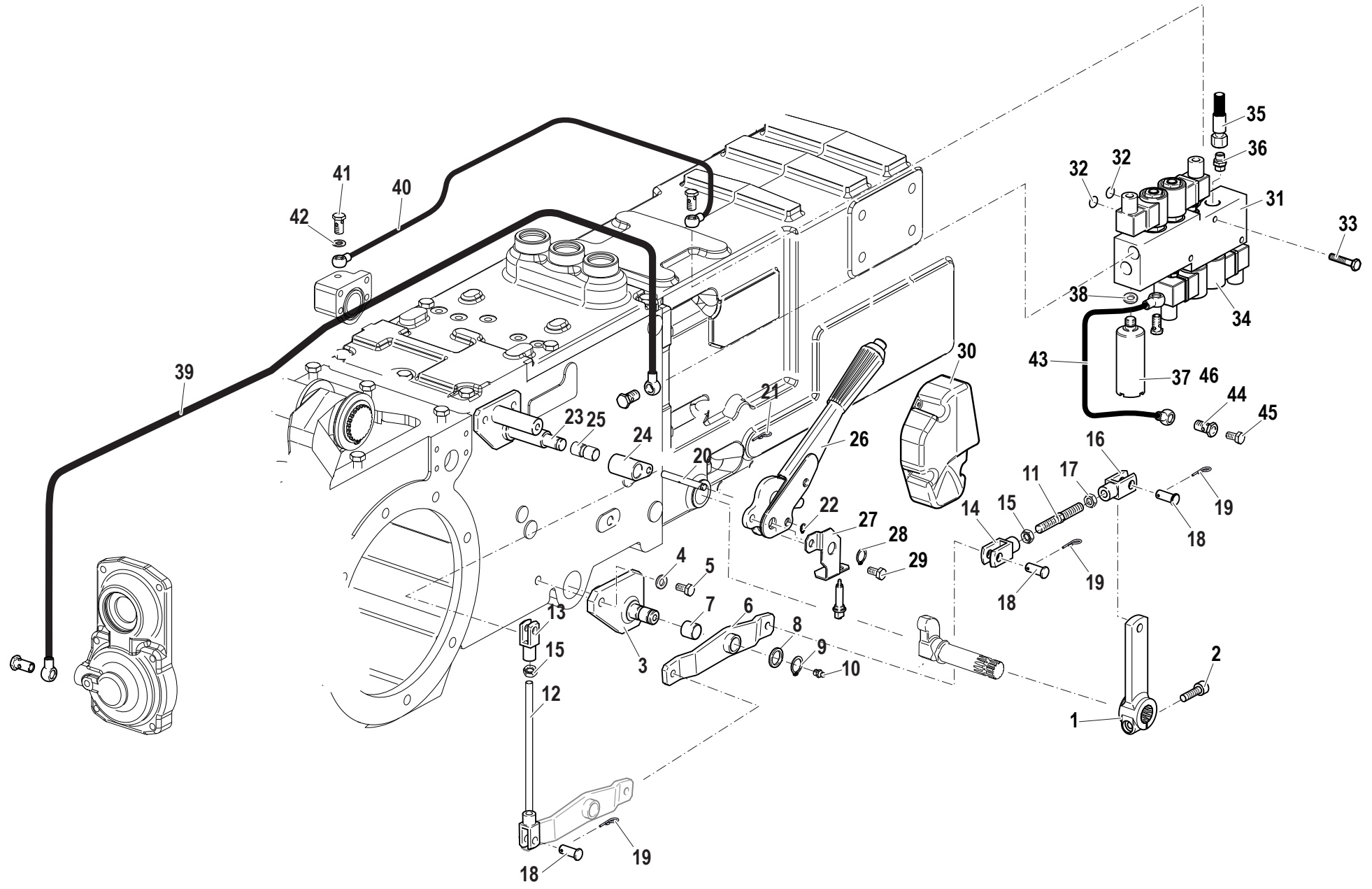
Pos.	Code	Q.ty	Description	Notes
5	31112147	2	SCREW TE M8X18 UNI 5739 8G	
22	31112150	2	SCREW TE M8X20 UNI 5739 8G	
2	31112210	2	SCREW TE M10X20 UNI 5739	
15	31152081	4	SCREW TCEI M8X20 UNI 5931	
12	31211060	1	HEXAGONAL NUT M8	
17	31411105	2	WASHER 10,5x21	
28	56176515	1	PIPE FITTING	
4	56177008	1	BRACKET	
21	56177074	1	TANK SUPPORT	
10	56177848	1	SMALL PLATE	
1	56377007	1	PIN	
13	56377043	1	SHIM	
16	56470365	2	PIN	
25	58073237	2	PIPE	
19	58077401	2	RETAINING SPRING	
33	58078641	1	FLEXIBLE HOSE	
34	58078642	1	FLEXIBLE HOSE	
14	58176236	2	BRAKE CYLINDER	
9	58176267	4	BUSHING	
32	58177985		PRESSURE SWITCH	
27	59076506	1	CONNECTION PIPE	
29	59078569	1	THREADED TERMINAL END	
7	59078777	1	BRAKE PEDAL	
8	59078778	1	BRAKE PEDAL	
20	F0190021254	2	WASHER	
24	F0803259000	1	O-RING	
18	F0810510000	2	SPLIT PIN A2,0X20 UNI 1336	
26	F0817500100	4	CLAMP 013,8-706R	
30	F0843105200	4	PIPE FITTING M12x1,25	
6	F0843643060	2	WASHER 8	
3	F0843755000	2	WASHER 10	
31	F0843841000	8	COPPER WASHER 12,0x18/1,5	
11	F0862479040	1	SCREW M6X20 7380	
23	P238176000000	1	TANK	

SERIAL

**BRAKES CONTROLS**

CODE REV

**D.14.01.L70001\_0**



Pos.	Code	Q.ty	Description	Notes
10	30000007	1	LUBRICATOR	
33	31111097	3	SCREW TE M6X45 UNI 5737 8G	
29	31112150	3	SCREW TE M8X20 UNI 5739 8G	
5	31112211	1	SCREW TE M10X30 UNI 5739	
2	31152083	1	SCREW TCEI M8X30 UNI 5931	
15	31231090	2	NUT M10	
19	34110021	3	SPLIT PIN	
21	34110030	1	SPLIT PIN	
9	35121018	1	SEEGER RING	
32	38110992	2	O-RING	
8	56076192	1	SPACER	
27	56078793	1	SMALL PLATE	
31	56178635	1	SMALL BLOCK	
41	56178695	1	THREADED TERMINAL END	
24	56178800	1	SMALL BLOCK	
20	56178801	1	PIN	
11	56376189	1	ROD	
18	56476188	3	HINGE PIN	
1	56577429	1	LEVER	
30	57378702	1	COVER	
44	58074558	1	PIPE FITTING	
35	58076326	1	FLEXIBLE HOSE	
34	58172463	4	ELECTRO VALVE	
26	58178960	1	HANDBRAKE LEVER	
40	59078670	1	PIPE	
39	59078671	1	PIPE	
43	59078672	1	PRESSURE PIPE	
23	59078789	1	LEVER BEARING	
3	59078802	1	SUPPORT	
6	59078804	1	ROCKER	
12	59078957	1	ROD	
37	59271011	1	UNIT	
22	F0801050000	1	SEEGER RING	
28	F0801095000	1	SEEGER RING	

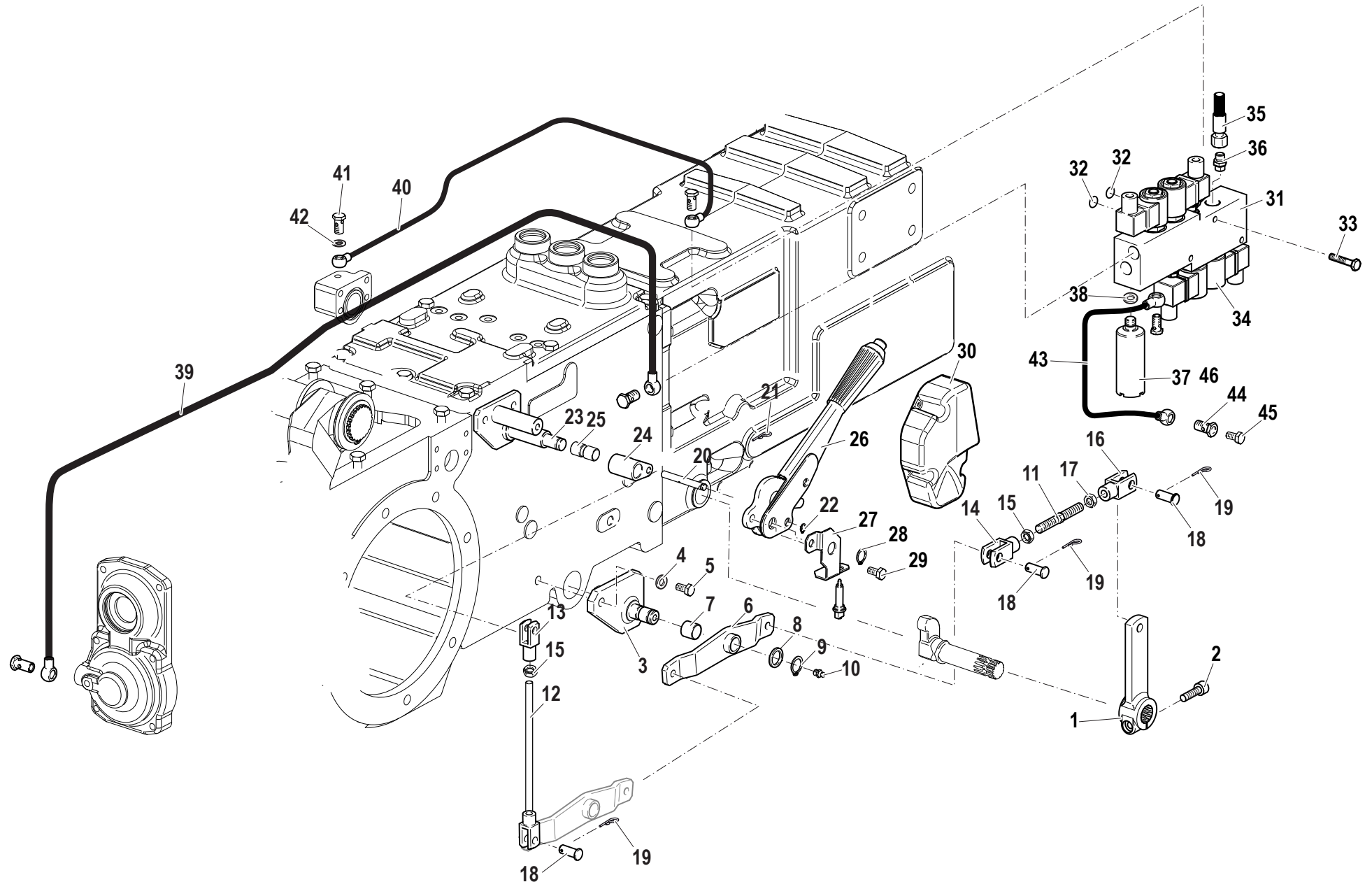
SERIAL

**PARKING BRAKE**

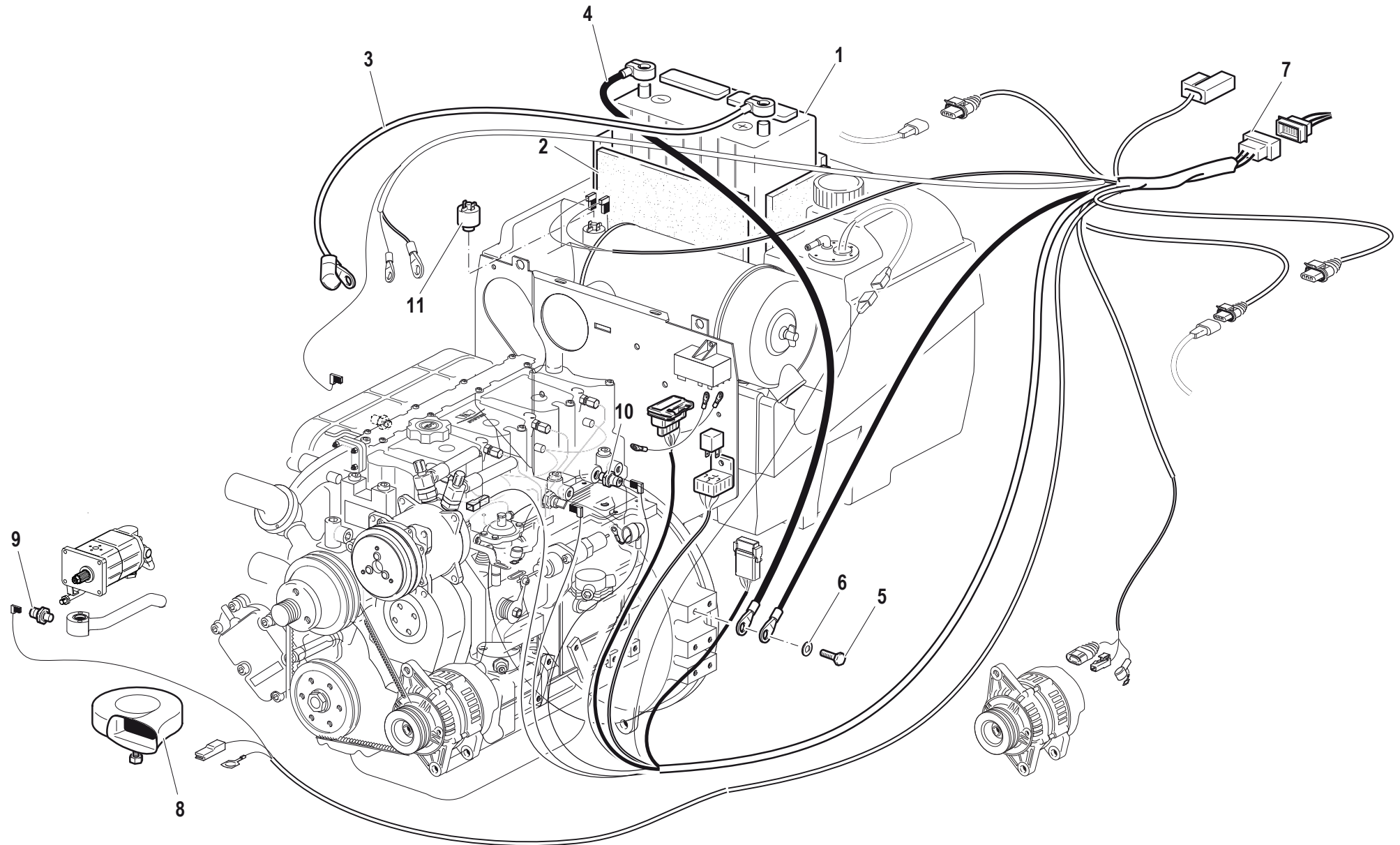
CODE REV

**D.15.01.L70001\_0**





Pos.	Code	Q.ty	Description	Notes
7	F0804099010	1	BUSHING	
17	F0814628050	1	NUT M10	
36	F0835022000	1	NIPPLE	
4	F0843815000	1	WASHER D.24x10,5/4	
38	F0843948000	1	COPPER WASHER 14,0x20/1,5	
13	F0860090010	1	FORK	
16	F0860090110	1	FORK	
14	F0860091010	1	FORK	
45	F0862448100	1	SCREW M8X10 UNI 5740	
25	P000000008000	2	BUSHING	
42	P254124000000	2	WASHER	



Pos.	Code	Q.ty	Description	Notes
5	31112210	1	SCREW TE M10X20 UNI 5739	
3	58071313	1	CABLE	
4	58072081	1	CABLE	
7	580A0123	1	CABLE	
11	58173399	2	PRESSURE SWITCH	
9	58175122	1	DIGITAL INSTRUMENT	
10	58175773	1	ELECTRONICAL THERMOMETER	
2	F0190018909	1	LINING	
8	F0825417000	1	HORN	
1	F0825480100	1	BATTERY	
6	F0843755000	1	WASHER 10	

SERIAL  
END

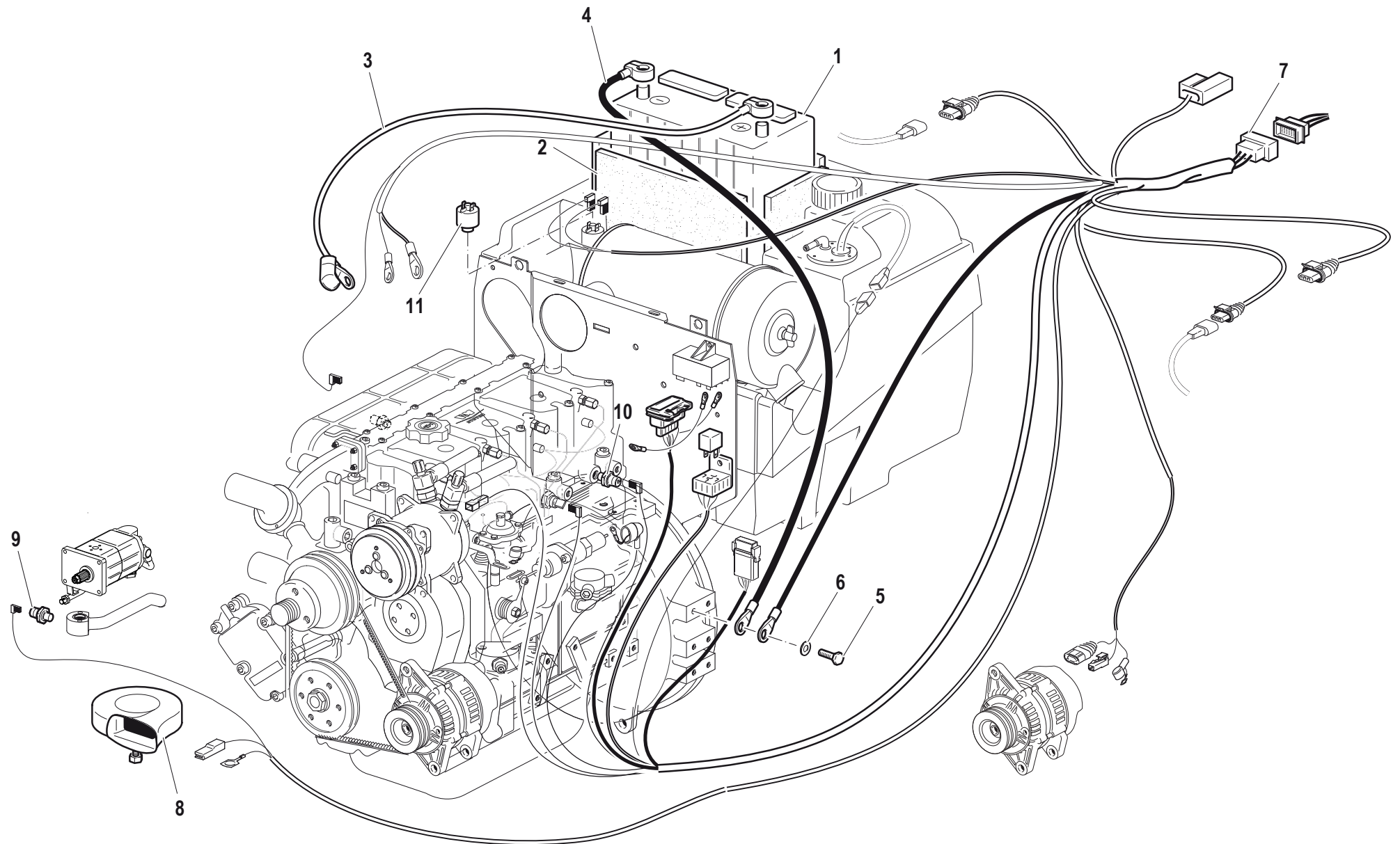
916940

ENGINE ELECTRIC SYSTEM

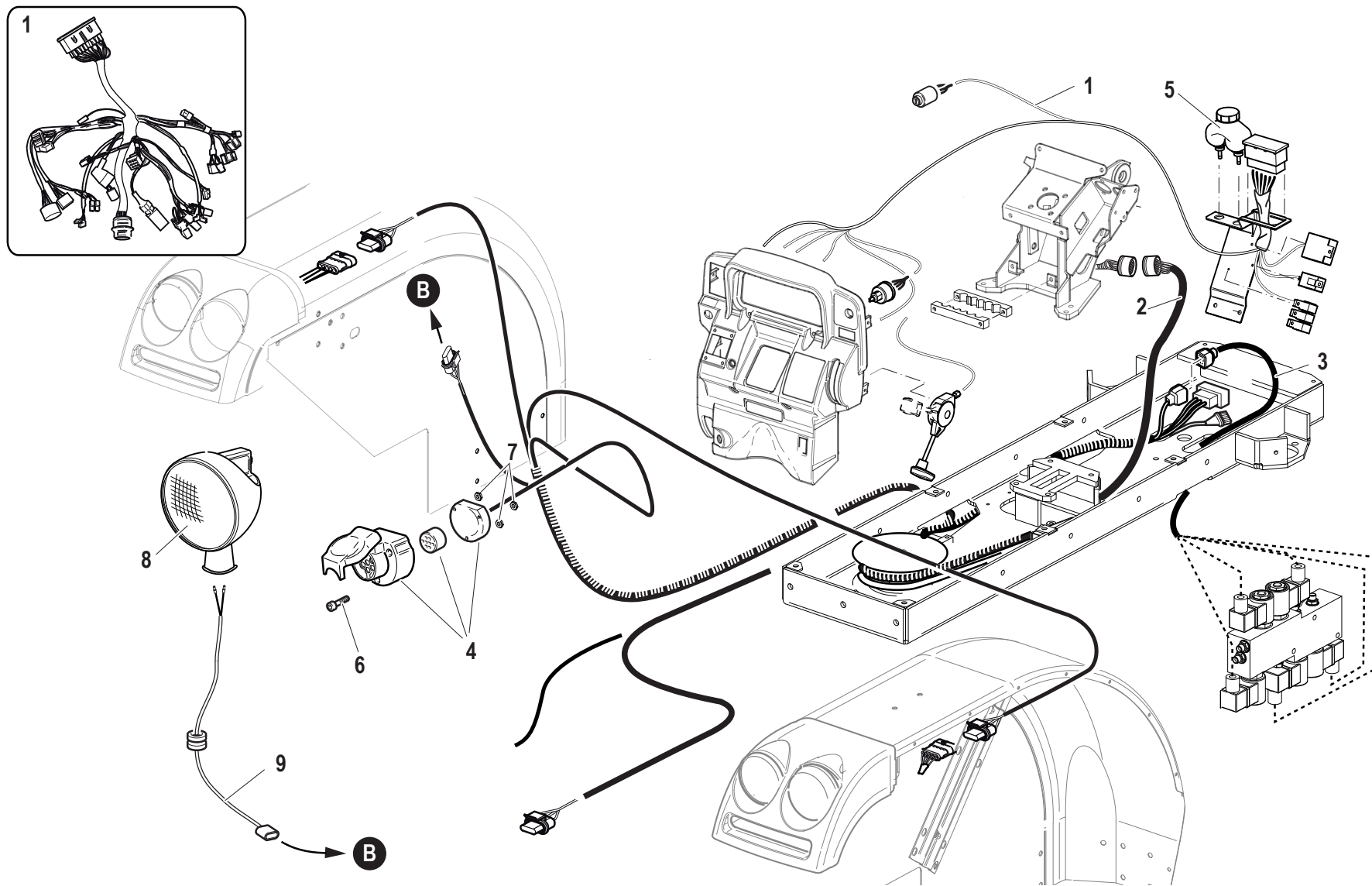
CODE REV

E.01.01.L70001\_0

# ENGINE ELECTRIC SYSTEM



Pos.	Code	Q.ty	Description	Notes
5	31112210	1	SCREW TE M10X20 UNI 5739	
4	58072081	1	CABLE	
7	580A0665	1	WIRING	
3	580A0687	1	CABLE	
11	58173399	2	PRESSURE SWITCH	
9	58175122	1	DIGITAL INSTRUMENT	
10	58175773	1	ELECTRONICAL THERMOMETER	
2	F0190018909	1	LINING	
8	F0825417000	1	HORN	
1	F0825480100	1	BATTERY	
6	F0843755000	1	WASHER 10	



Pos.	Code	Q.ty	Description	Notes
7	31211050	3	NUT M5	
10	56179033	1	BRACKET	
9	58077305	1	CABLE	
2	58079004	1	CABLE	
3	58079005	1	WIRING	
1	58079936	1	CABLE	
4	F0825438000	1	SOCKET	
8	F0825493000	1	HEADLIGHT	
6	F0861941000	3	SCREW	
5	P238176000000	1	TANK	

SERIAL  
END

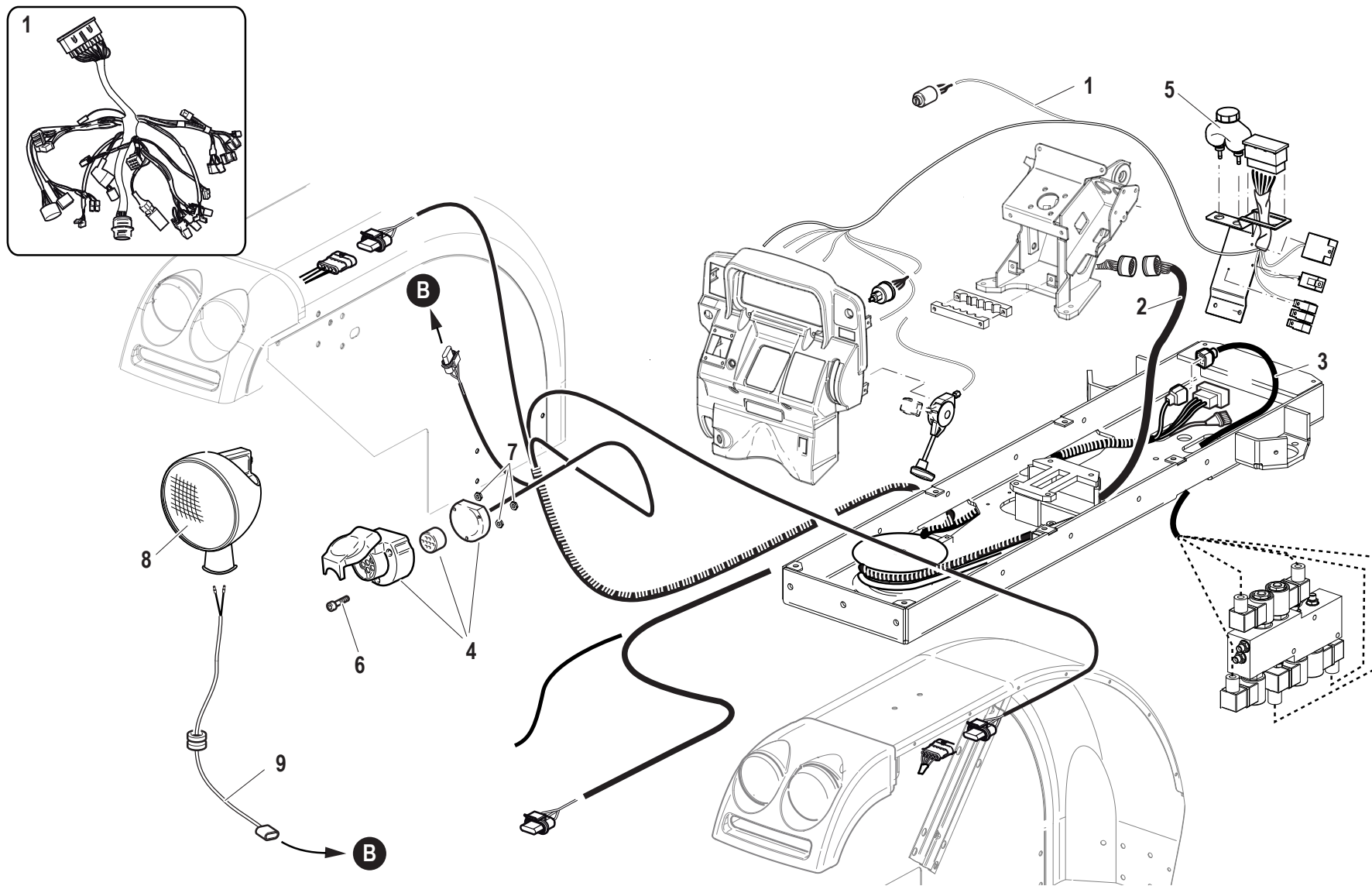
**916940**

**HYDRAULIC HOSES BOX ELECTRIC SYSTEM**

CODE REV

**E.02.01.L70001\_0**





Pos.	Code	Q.ty	Description	Notes
7	31211050	3	NUT M5	
10	56179033	1	BRACKET	
9	58077305	1	CABLE	
3	58079005	1	WIRING	
2	580A0125	1	CABLE	
1	580A0947	1	CABLE	
4	F0825438000	1	SOCKET	
8	F0825493000	1	HEADLIGHT	
6	F0861941000	3	SCREW	
5	P238176000000	1	TANK	

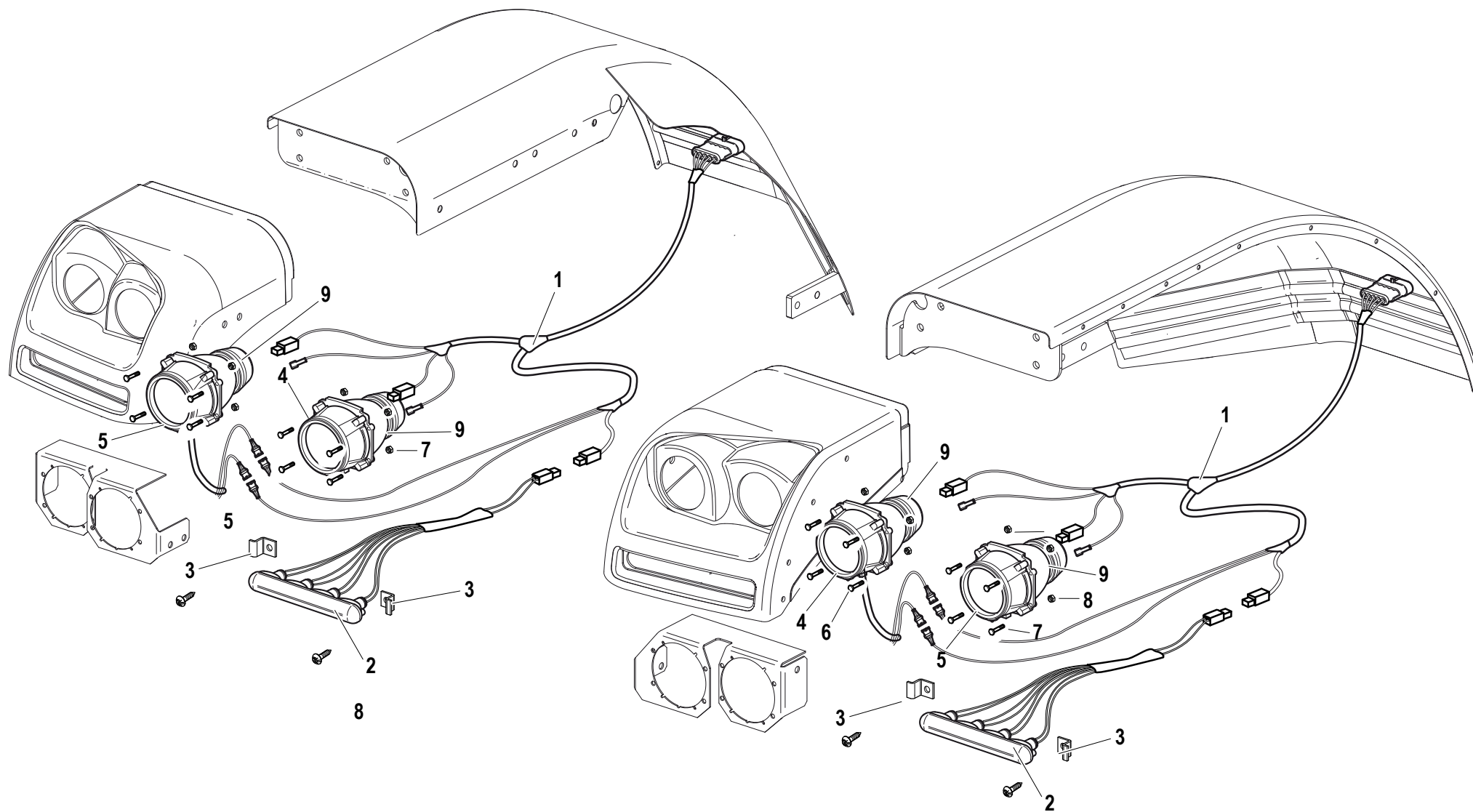


# FRONT ELECTRICAL SYSTEM

CODE REV

SERIAL END 916940

E.03.01.L70001\_0



Pos.	Code	Q.ty	Description	Notes
6	31111084	16	SCREW TE M4X16 UNI 5739 8G	
7	31241040	16	SELFLOCK NUT M4	
3	56177045	4	RETAINER	
1	58077060	2	CABLE	
4	58176394	2	OPTICAL GROUP	
5	58176395	2	OPTICAL GROUP	
2	58176406	2	INDICATOR	
9	58176743	4	CAP	
8	F0861830100	8	RIBBED SCREW 3,9X13AB DIN7981	

SERIAL  
END

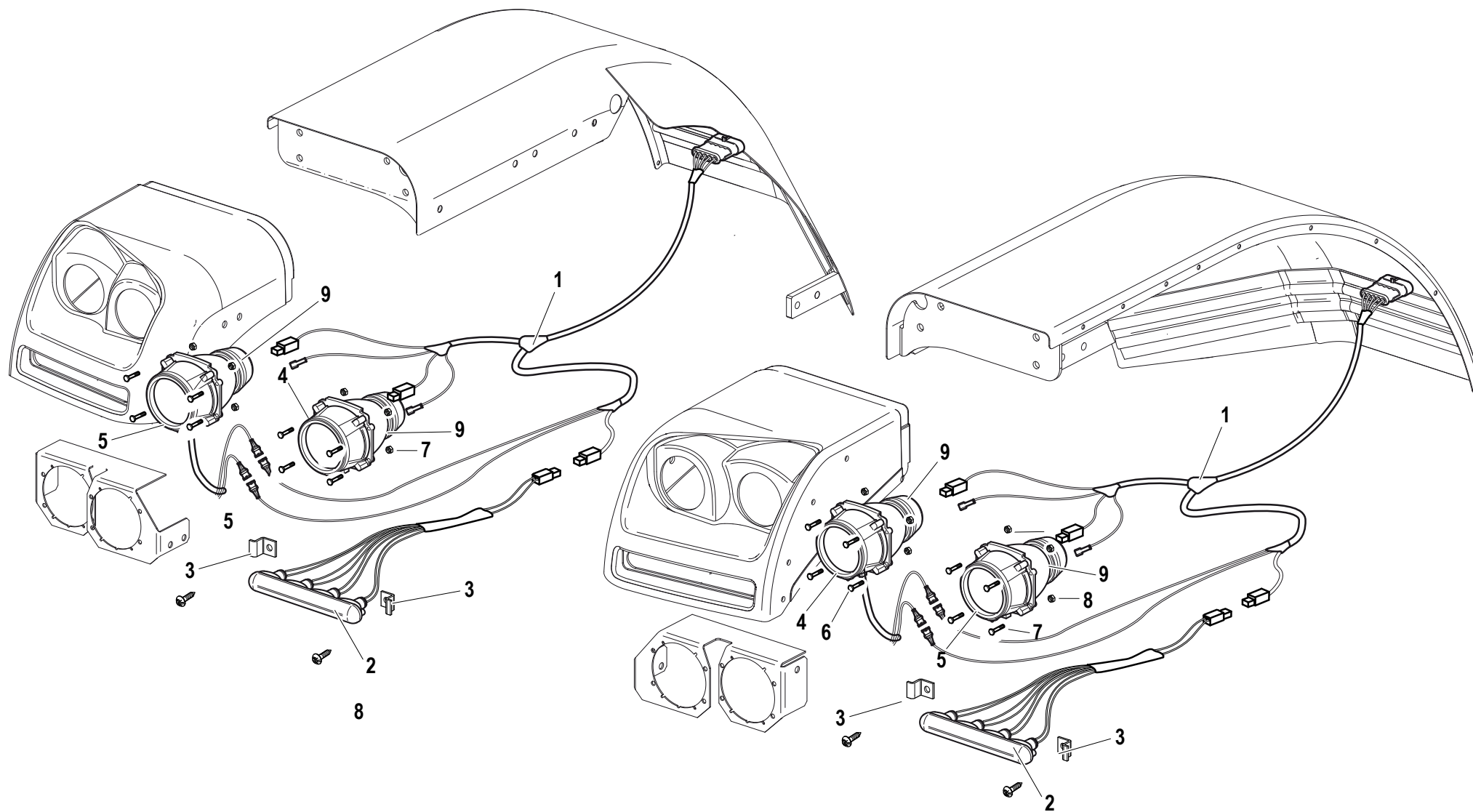
**916940**

**FRONT ELECTRICAL SYSTEM**

CODE REV

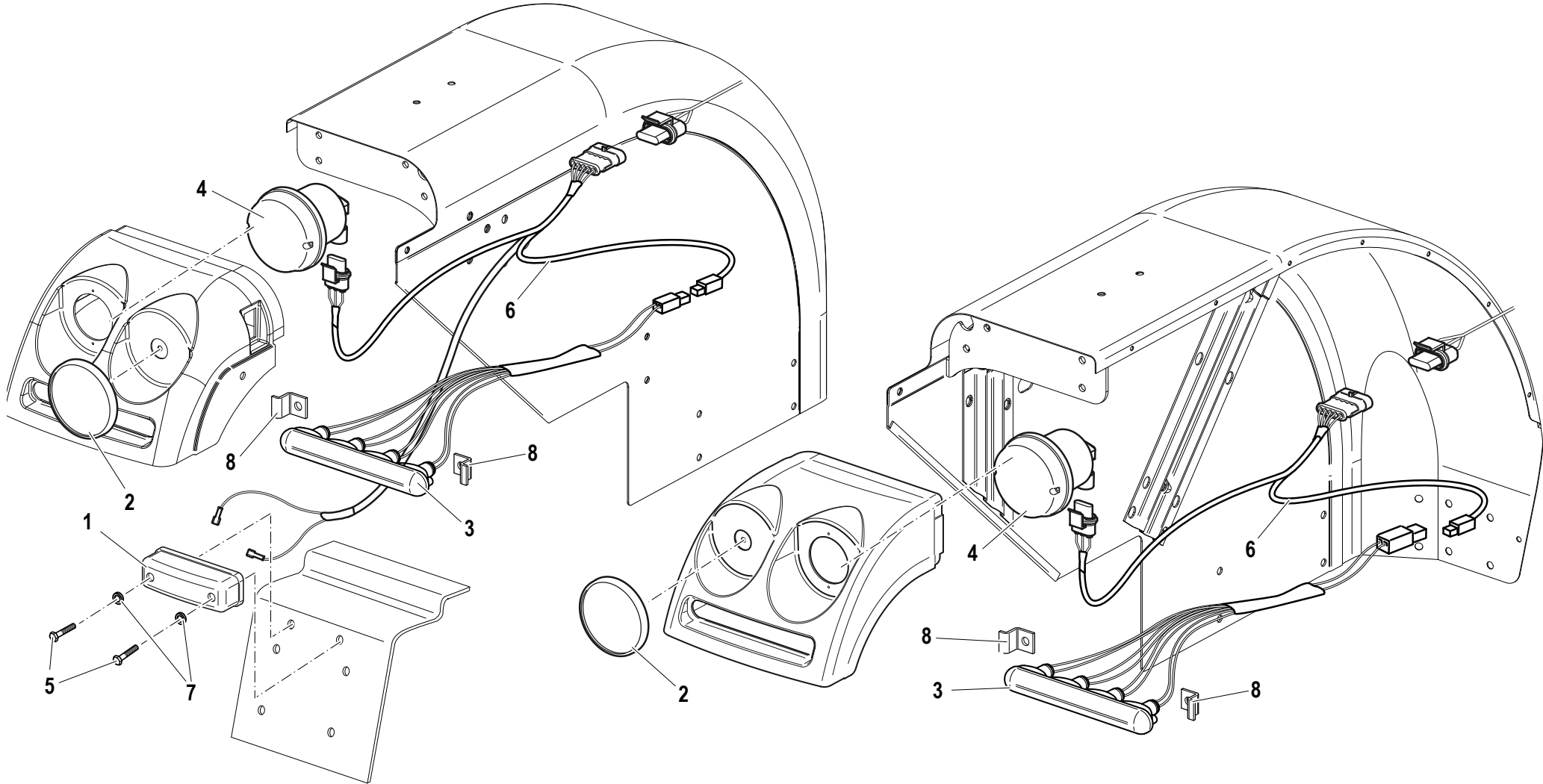
**E.03.01.L70001\_0**

# FRONT ELECTRICAL SYSTEM



Pos.	Code	Q.ty	Description	Notes
6	31111084	16	SCREW TE M4X16 UNI 5739 8G	
7	31241040	16	SELFLOCK NUT M4	
3	56177045	4	RETAINER	
1	58077060	2	CABLE	
4	58176394	2	OPTICAL GROUP	
5	58176395	2	OPTICAL GROUP	
2	58176406	2	INDICATOR	
9	58176743	4	CAP	
8	F0861830100	8	RIBBED SCREW 3,9X13AB DIN7981	

REAR ELECTRICAL SYSTEM



Pos.	Code	Q.ty	Description	Notes
1	30000506	1	LAMP	
5	31152081	2	SCREW TCEI M8X20 UNI 5931	
7	31211080	2	NUT M8	
8	56177045	4	RETAINER	
6	58077062	2	CABLE	
4	58176396	2	LAMP	
3	58176406	2	INDICATOR	
2	58177330	2	REFLECTOR	

SERIAL  
END

**916940**

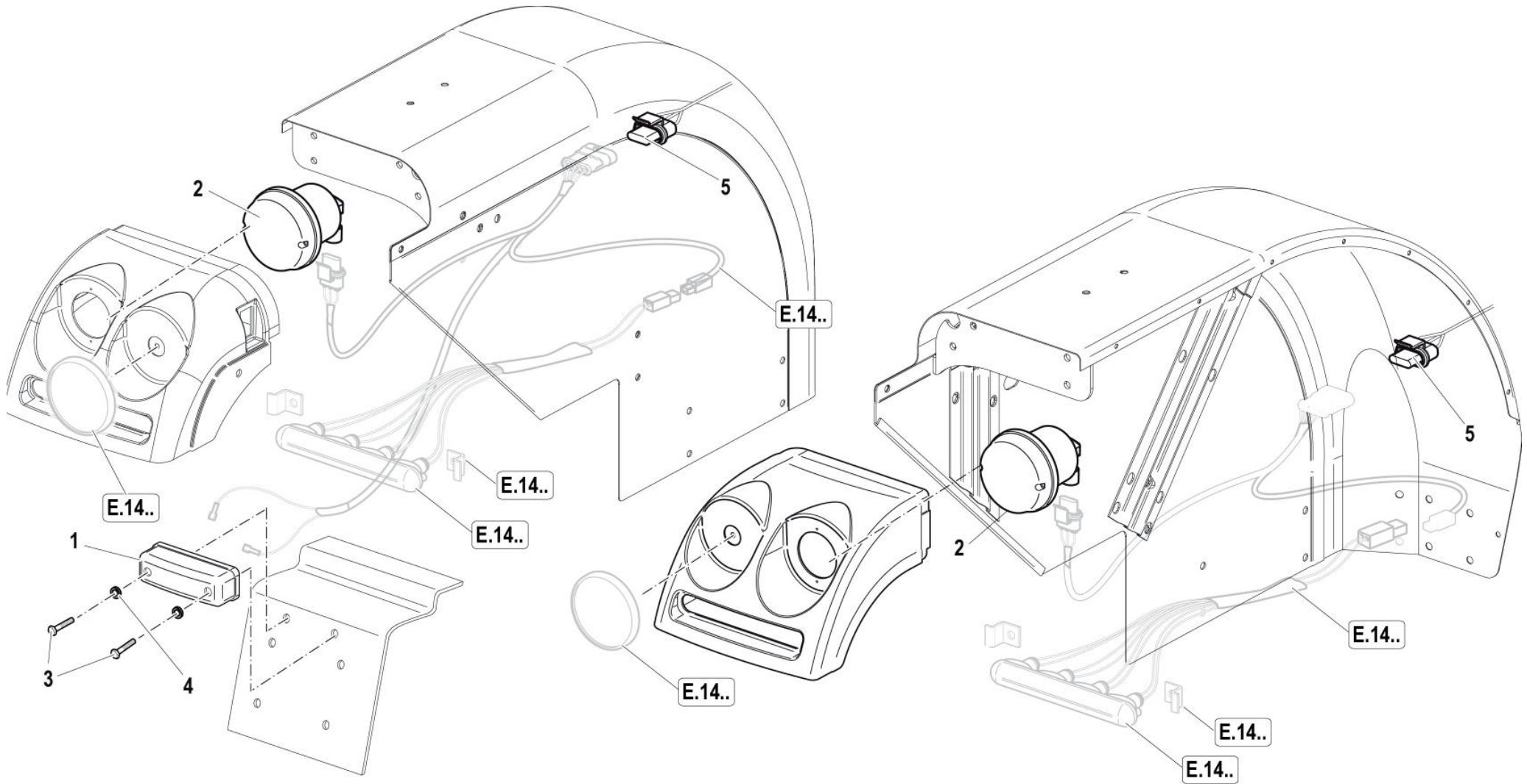
**REAR ELECTRICAL SYSTEM**

CODE REV

**E.04.01.L70001\_0**



# REAR ELECTRICAL SYSTEM



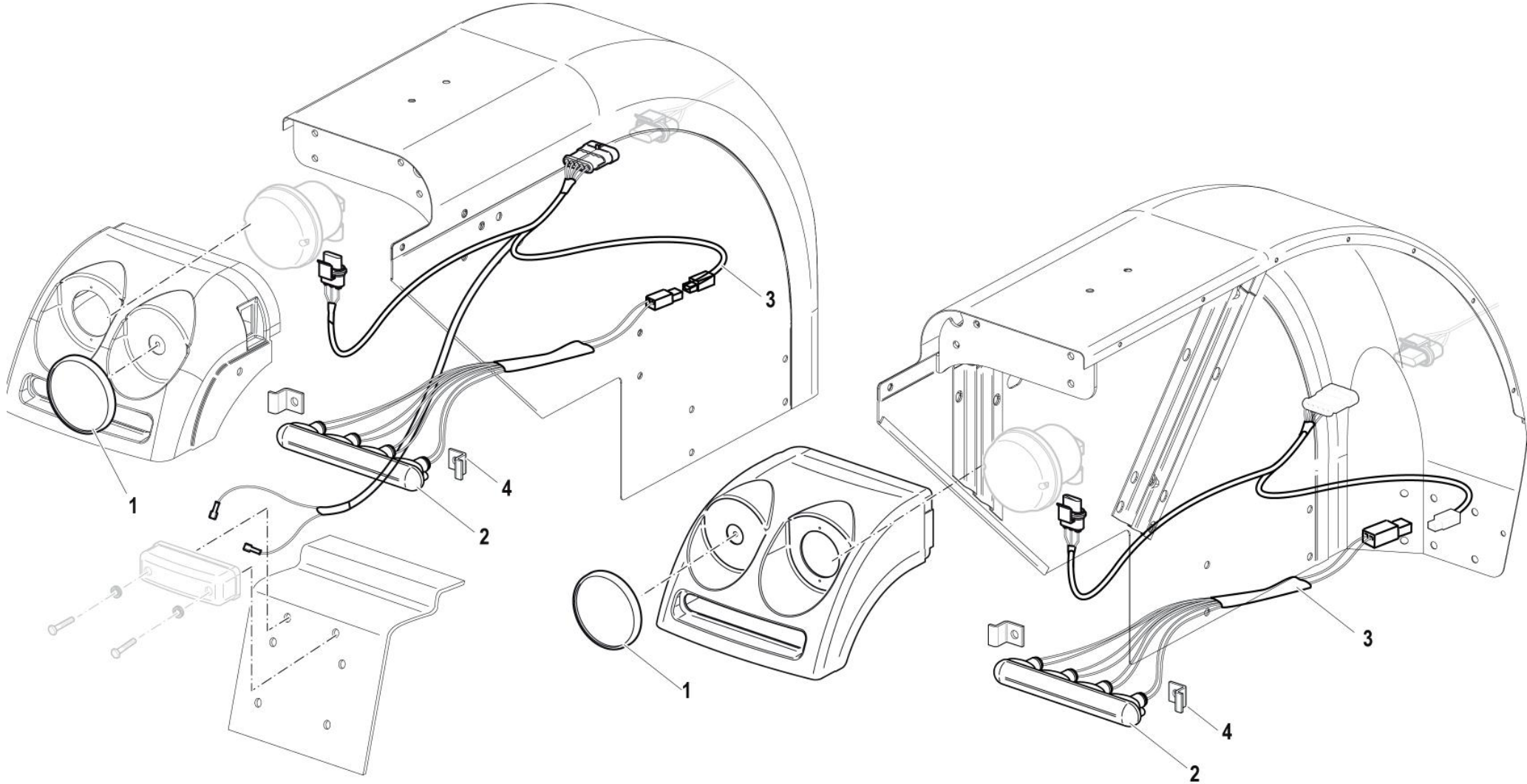
Pos.	Code	Q.ty	Description	Notes
1	30000506	1	LAMP	
3	31152081	2	SCREW TCEI M8X20 UNI 5931	
4	56177045	4	RETAINER	
2	58176396	2	LAMP	
5	F0825438000	1	SOCKET	

SERIAL  
START  
**916941**

**REAR ELECTRICAL SYSTEM**

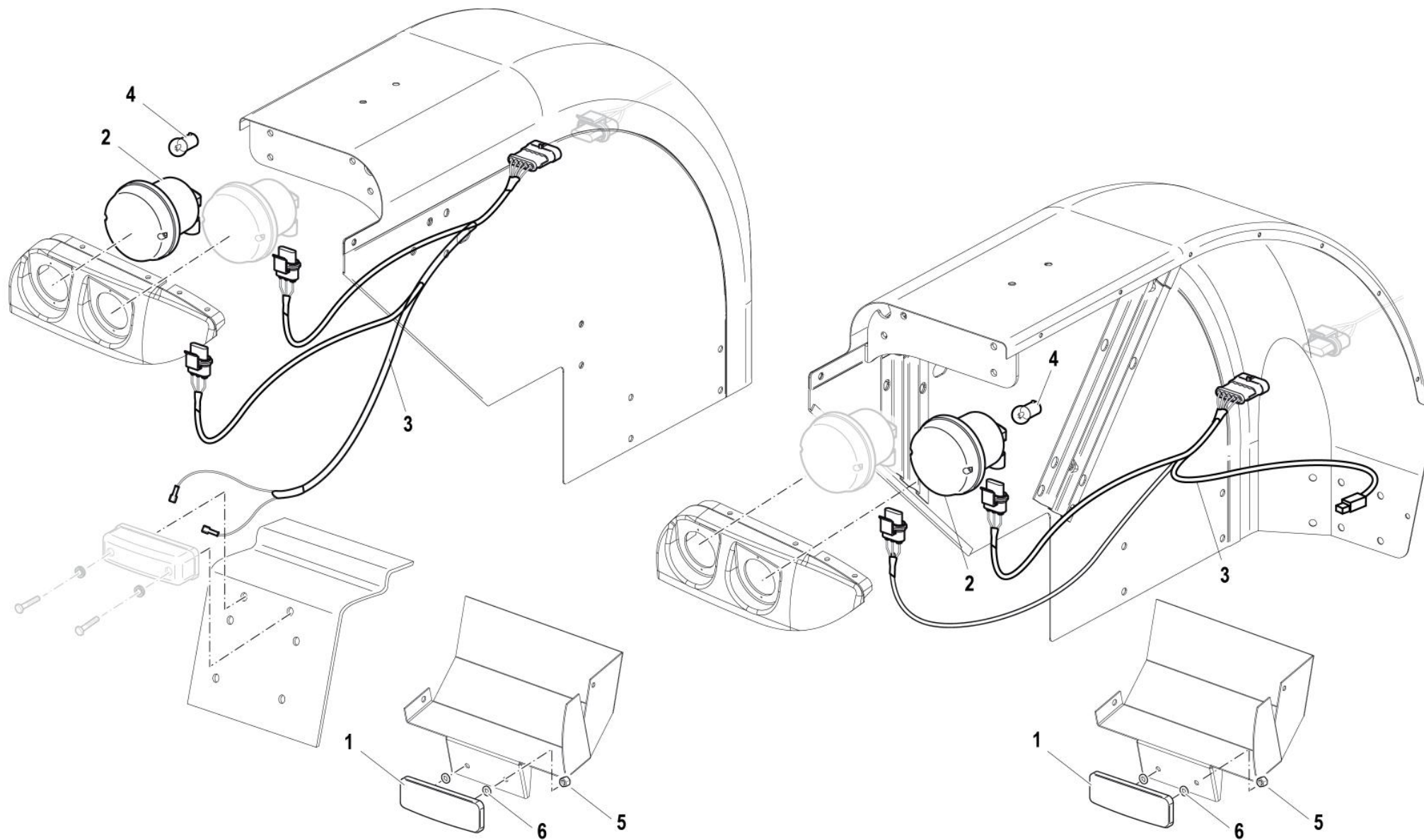
CODE REV  
**E.04.01.L70001\_1**

REAR ELECTRICAL SYSTEM - STD



Pos.	Code	Q.ty	Description	Notes
4	31211080	2	NUT M8	
3	58077062	2	CABLE	
2	58176406	2	INDICATOR	
1	58177330	2	REFLECTOR	

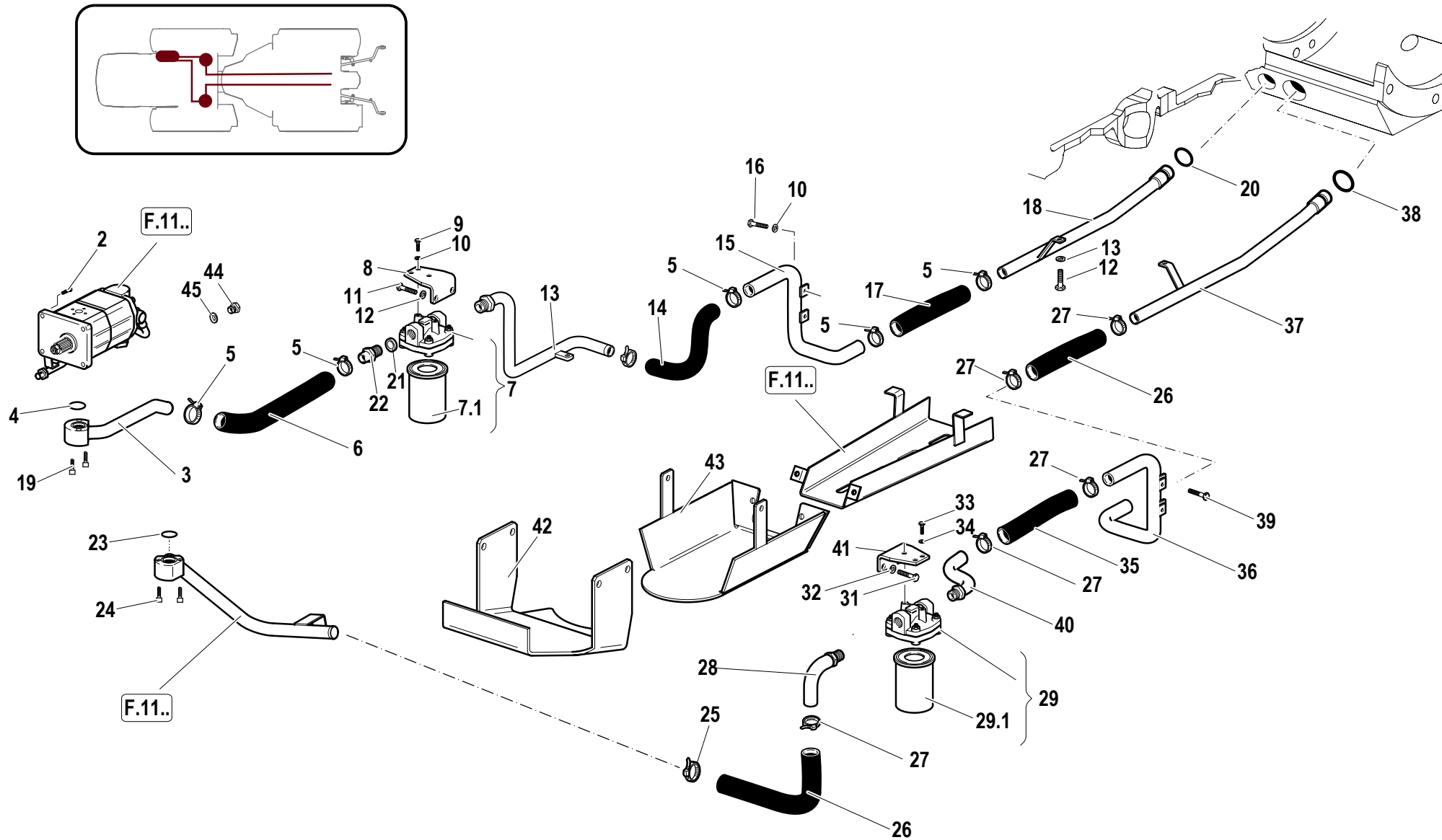
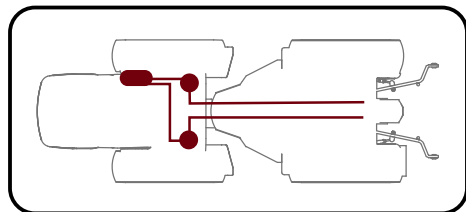
# REAR ELECTRICAL SYSTEM - WHEELS R20/R24



Pos.	Code	Q.ty	Description	Notes
5	31211050	4	NUT M5	
3	580A0599	2	CABLE	
2	581A0491	2	ARROW	
1	581A0492	2	REFLECTOR	
4	F0825440110	2	LAMP	
6	F0843561000	4	WASHER 5	

HYDR. SYSTEM DOUBLE OIL SUCTION

SERIAL END 916940



Pos.	Code	Q.ty	Description	Notes
16	31111151	4	SCREW TE M8X16 UNI 5739 8G	
39	31111151	2	SCREW TE M8X16 UNI 5739 8G	
33	31112150	2	SCREW TE M8X20 UNI 5739 8G	
9	31112150	6	SCREW TE M8X20 UNI 5739 8G	
11	31112210	4	SCREW TE M10X20 UNI 5739	
31	31112210	2	SCREW TE M10X20 UNI 5739	
2	31152083	4	SCREW TCEI M8X30 UNI 5931	
23	38112200	1	O-RING	
4	38112200	1	O-RING	
20	38113142	2	O-RING	
38	38113142	1	O-RING	
42	56078831	1	SHIELD	
22	56170350	1	PIPE FITTING	
41	56174725	1	OIL FILTER BRACKET	
8	56174763	1	OIL FILTER BRACKET	
14	58171380	1	FLEXIBLE HOSE	
17	58173505	1	FLEXIBLE HOSE	
26	58173505	2	FLEXIBLE HOSE	
29	58175014	1	FILTER	
7	58175014	1	FILTER	
35	58176336	2	SUCTION PIPE	
6	58176337	1	SUCTION PIPE	
43	59075716	1	SHIELD	
3	59076211	1	SUCTION PIPE	
40	59076212	1	PIPE	
28	59076213	1	PIPE	
36	59076226	1	PIPE	
13	59077903	1	PIPE	
15	59078595	1	PIPE	
37	59078668	1	SUCTION PIPE	
18	59078669	1	SUCTION PIPE	
25	F0817502900	1	CLAMP 036,1-906R	
27	F0817503000	6	CLAMP 037,6-906R	
5	F0817503000	12	CLAMP 037,6-906R	

SERIAL  
END

916940

HYDR. SYSTEM DOUBLE OIL SUCTION

CODE REV

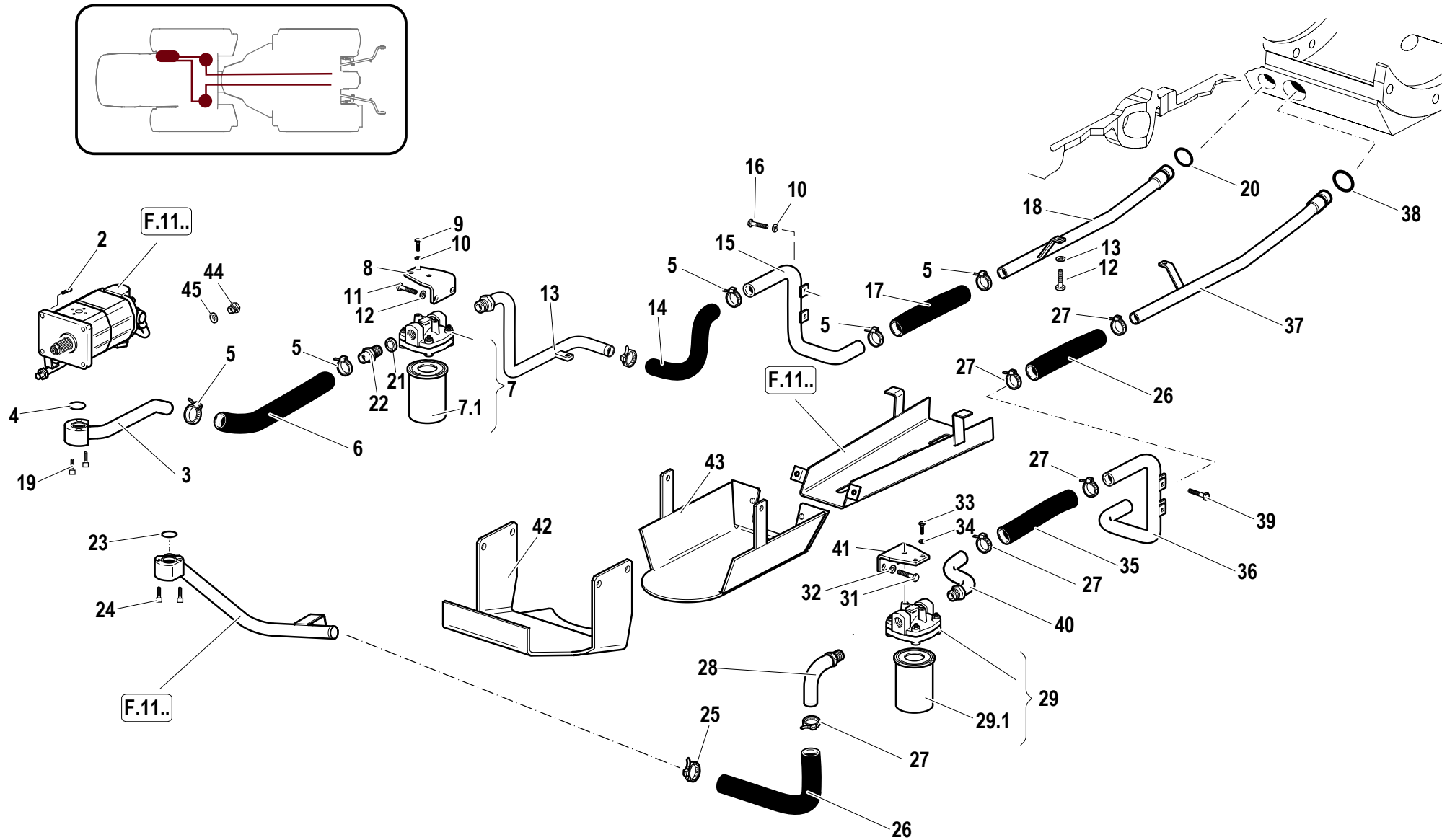
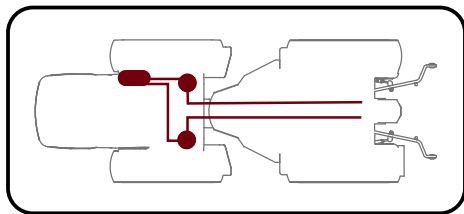
F.01.01.L70001\_0



HYDR. SYSTEM DOUBLE OIL SUCTION

SERIAL END 916940

F.01.01.L70001\_0



Pos.	Code	Q.ty	Description	Notes
21	F0824185000	1	COPPER WASHER 26X34X1,5	
10	F0843643060	10	WASHER 8	
34	F0843643060	2	WASHER 8	
12	F0843755000	4	WASHER 10	
32	F0843755000	2	WASHER 10	
45	F0843907000	1	COPPER WASHER 13,66x19/1,5	
44	F0852538050	1	PLUG	
19	F0862796000	2	SCREW M8X40 UNI 5931	
24	F0862796000	2	SCREW M8X40 UNI 5931	

SERIAL  
END

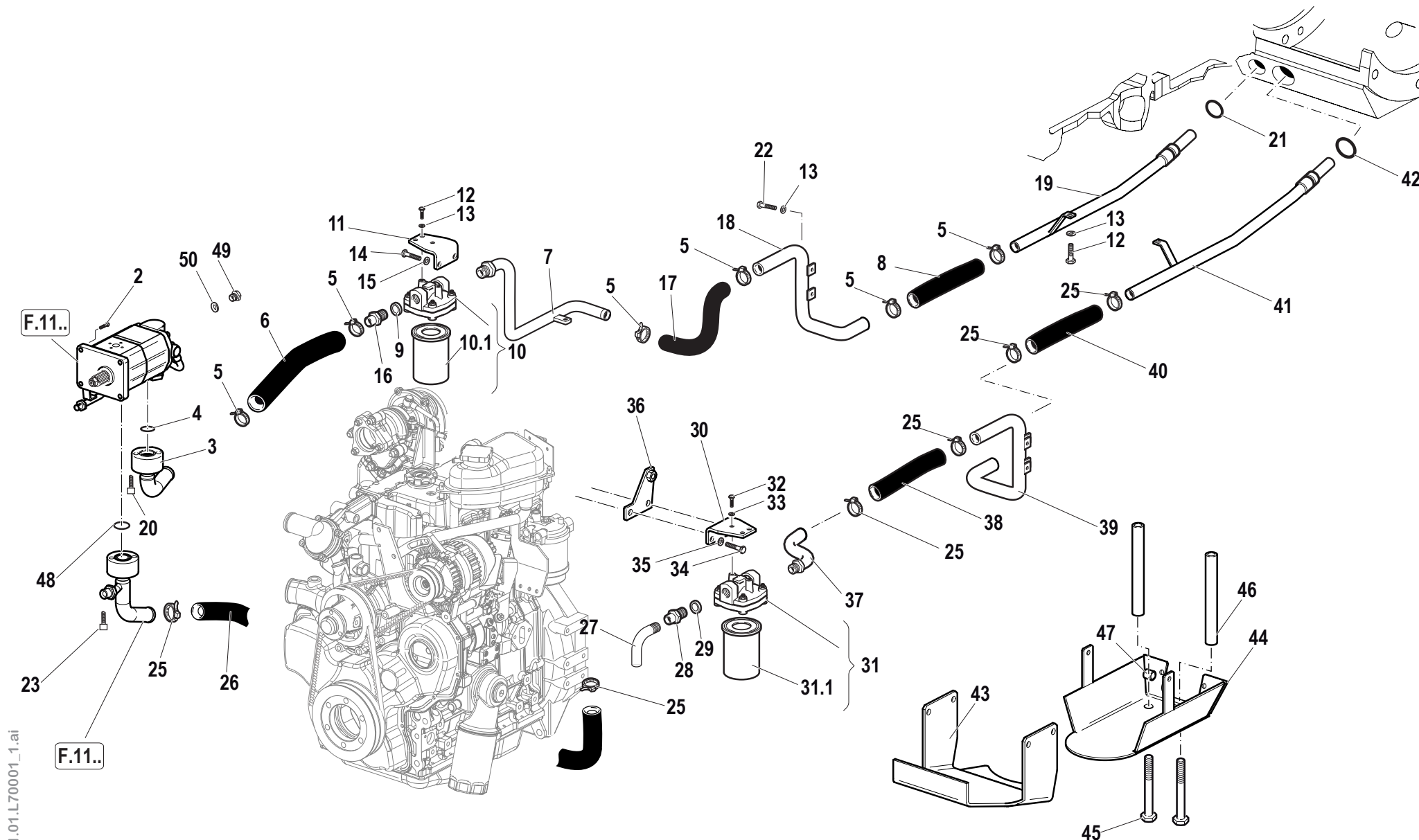
**916940**

**HYDR. SYSTEM DOUBLE OIL SUCTION**

CODE REV

**F.01.01.L70001\_0**

# HYDR. SYSTEM DOUBLE OIL SUCTION



F.01.01.L70001\_1.ai

Pos.	Code	Q.ty	Description	Notes
22	31111151	4	SCREW TE M8X16 UNI 5739 8G	
12	31112150	6	SCREW TE M8X20 UNI 5739 8G	
32	31112150	2	SCREW TE M8X20 UNI 5739 8G	
14	31112210	4	SCREW TE M10X20 UNI 5739	
34	31112219	2	SCREW TE M10X25 UNI 5739	
2	31152083	4	SCREW TCEI M8X30 UNI 5931	
4	38112200	1	O-RING	
48	38112200	1	O-RING	
21	38113142	2	O-RING	
42	38113142	1	O-RING	
43	56078831	1	SHIELD	
16	56170350	1	PIPE FITTING	
28	56170350	1	PIPE FITTING	
47	56171954	1	SPACER	
46	56174622	2	SPACER	
11	56174725	2	OIL FILTER BRACKET	
30	56174763	1	OIL FILTER BRACKET	
17	58171380	1	FLEXIBLE HOSE	
38	58171380	1	FLEXIBLE HOSE	
6	58173053	1	FLEXIBLE HOSE	
40	58173505	1	FLEXIBLE HOSE	
8	58173505	1	FLEXIBLE HOSE	
10	58175014	1	FILTER	
31	58175014	1	FILTER	
1	58179463	1	LIFT PUMP	
26	581A0667	1	PIPE	
44	59075716	1	SHIELD	
37	59076212	1	PIPE	
39	59076226	1	PIPE	
7	59077903	1	PIPE	
18	59078595	1	PIPE	
41	59078668	1	SUCTION PIPE	
19	59078669	1	SUCTION PIPE	
24	590A0671	1	TUBO ASP.POMPA SOLLEV.75	

SERIAL  
START  
**916941**

**HYDR. SYSTEM DOUBLE OIL SUCTION**

CODE REV

**F.01.01.L70001\_1**

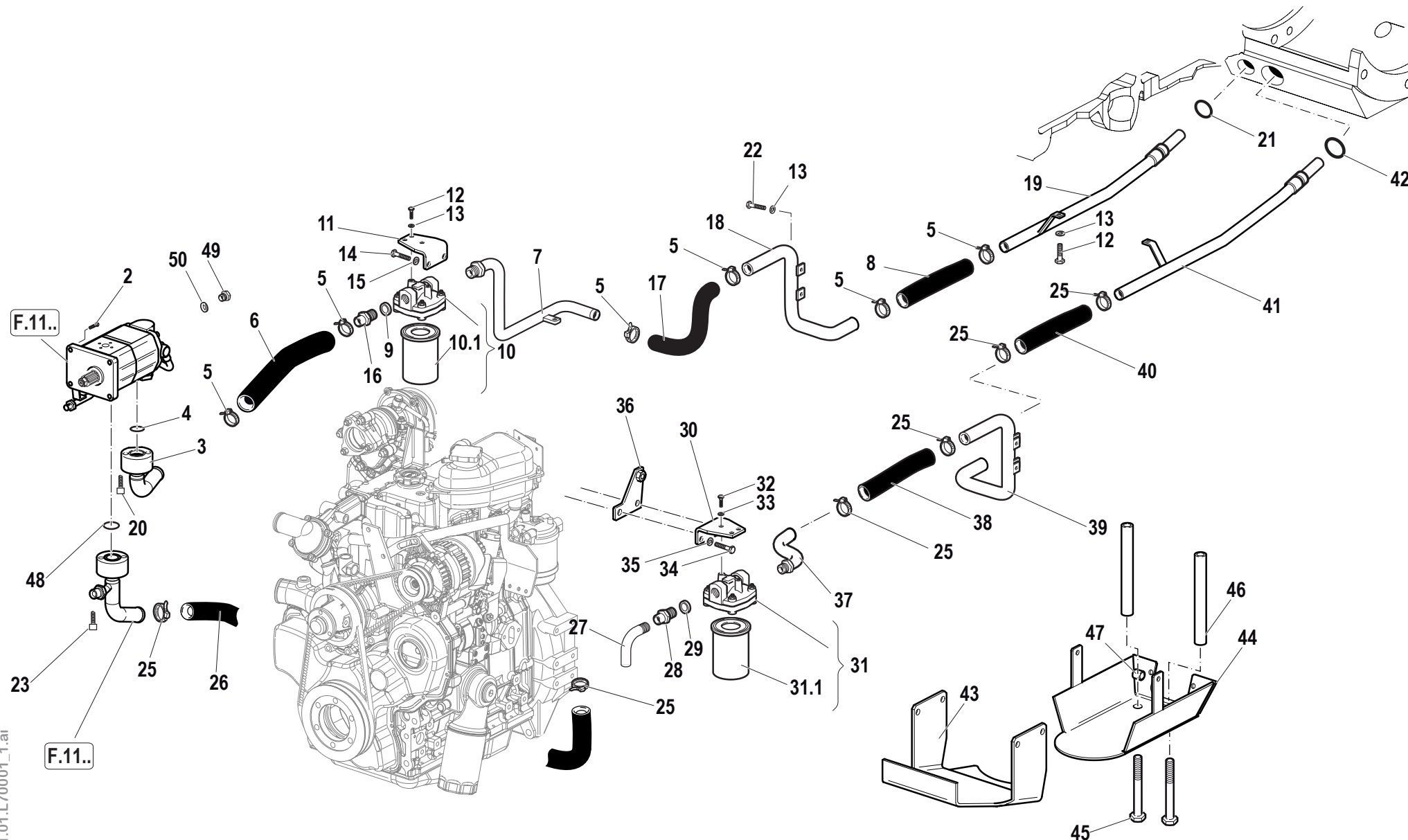


# HYDR. SYSTEM DOUBLE OIL SUCTION

CODE REV

SERIAL START 916941

F.01.01.L70001\_1



F.01.01.L70001\_1.ai

Pos.	Code	Q.ty	Description	Notes
3	590A0673	1	TUBO ASP.POMPA IDROGUIDA 75	
36	590A0717	1	BRACKET	
25	F0817503000	6	CLAMP 037,6-906R	
5	F0817503000	12	CLAMP 037,6-906R	
29	F0824185000	1	COPPER WASHER 26X34X1,5	
9	F0824185000	1	COPPER WASHER 26X34X1,5	
27	F0840563000	1	PIPE FITTING	
13	F0843643060	10	WASHER 8	
33	F0843643060	2	WASHER 8	
15	F0843755000	4	WASHER 10	
35	F0843755000	2	WASHER 10	
50	F0843907000	1	COPPER WASHER 13,66x19/1,5	
49	F0852538050	1	PLUG	
20	F0862796000	2	SCREW M8X40 UNI 5931	
23	F0862796000	2	SCREW M8X40 UNI 5931	
45	F0863097000	2	SCREW	

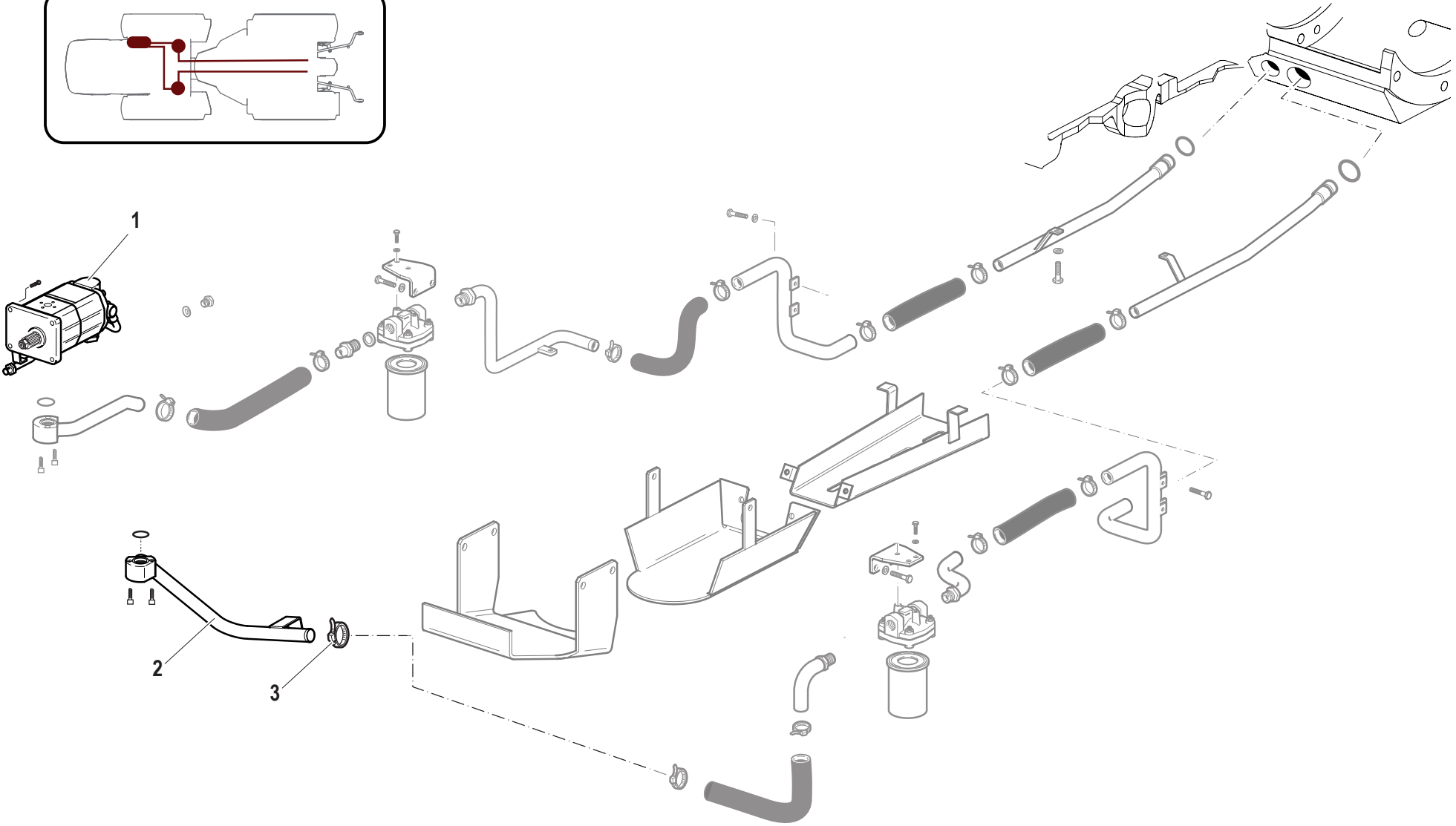
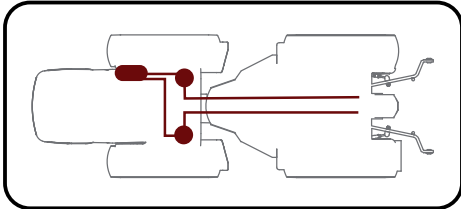


HYDR. SYSTEM DOUBLE OIL SUCTION PUMP 50 Lt.

CODE REV

SERIAL END 916940

F.11.02.L70001\_0



F.11.02.L70001\_0.ai

Pos.	Code	Q.ty	Description	Notes
1	58175007	1	LIFT PUMP	
2	59076210	1	SUCTION PIPE	
3	F0817502900	1	CLAMP 036,1-906R	

SERIAL  
END

**916940**

**HYDR. SYSTEM DOUBLE OIL SUCTION PUMP 50 Lt.**

CODE REV

**F.11.02.L70001\_0**



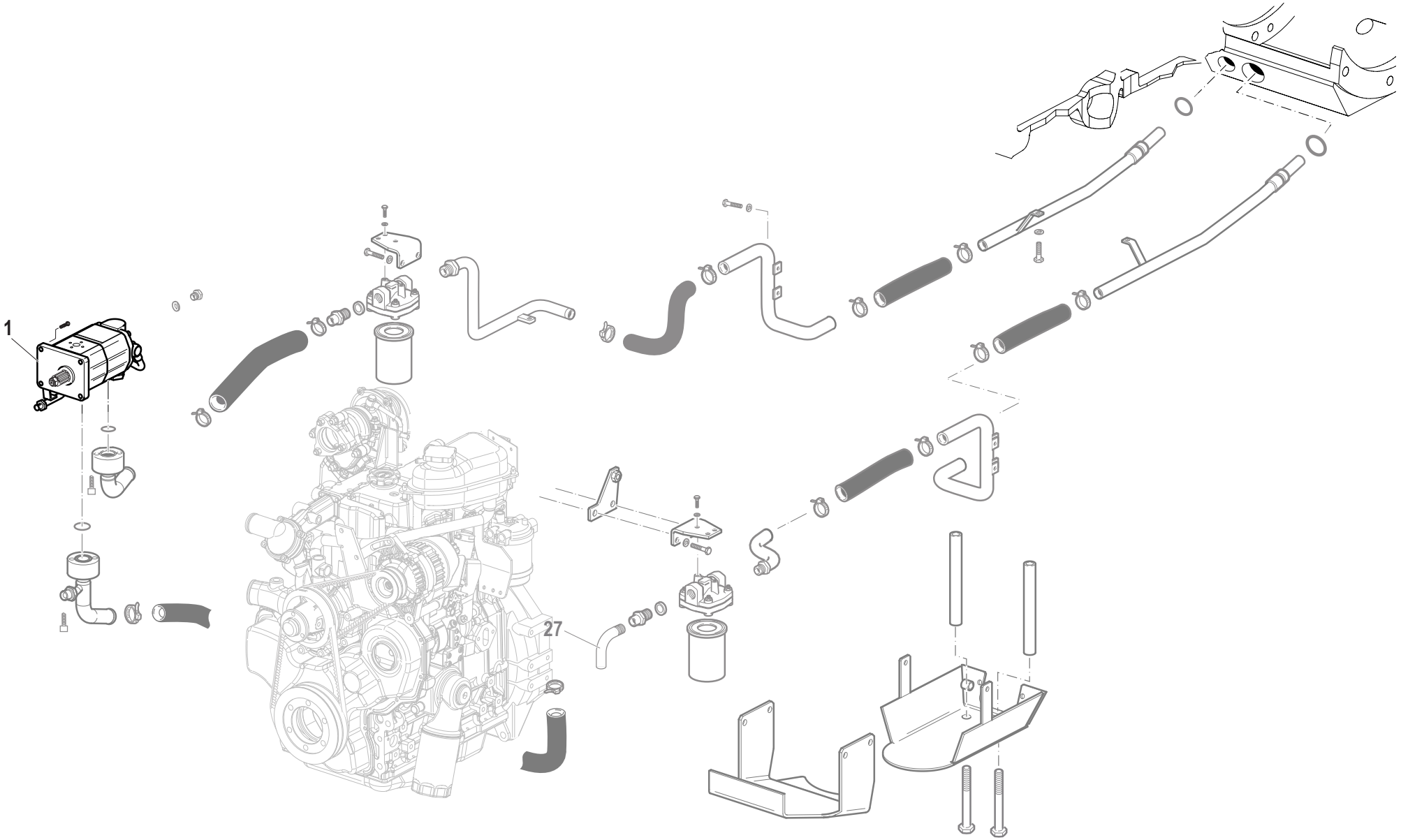


HYDR. SYSTEM DOUBLE OIL SUCTION PUMP 50 Lt.

CODE REV

SERIAL START 916941

F.11.02.L70001\_1



F.11.01.L70001\_1.ai

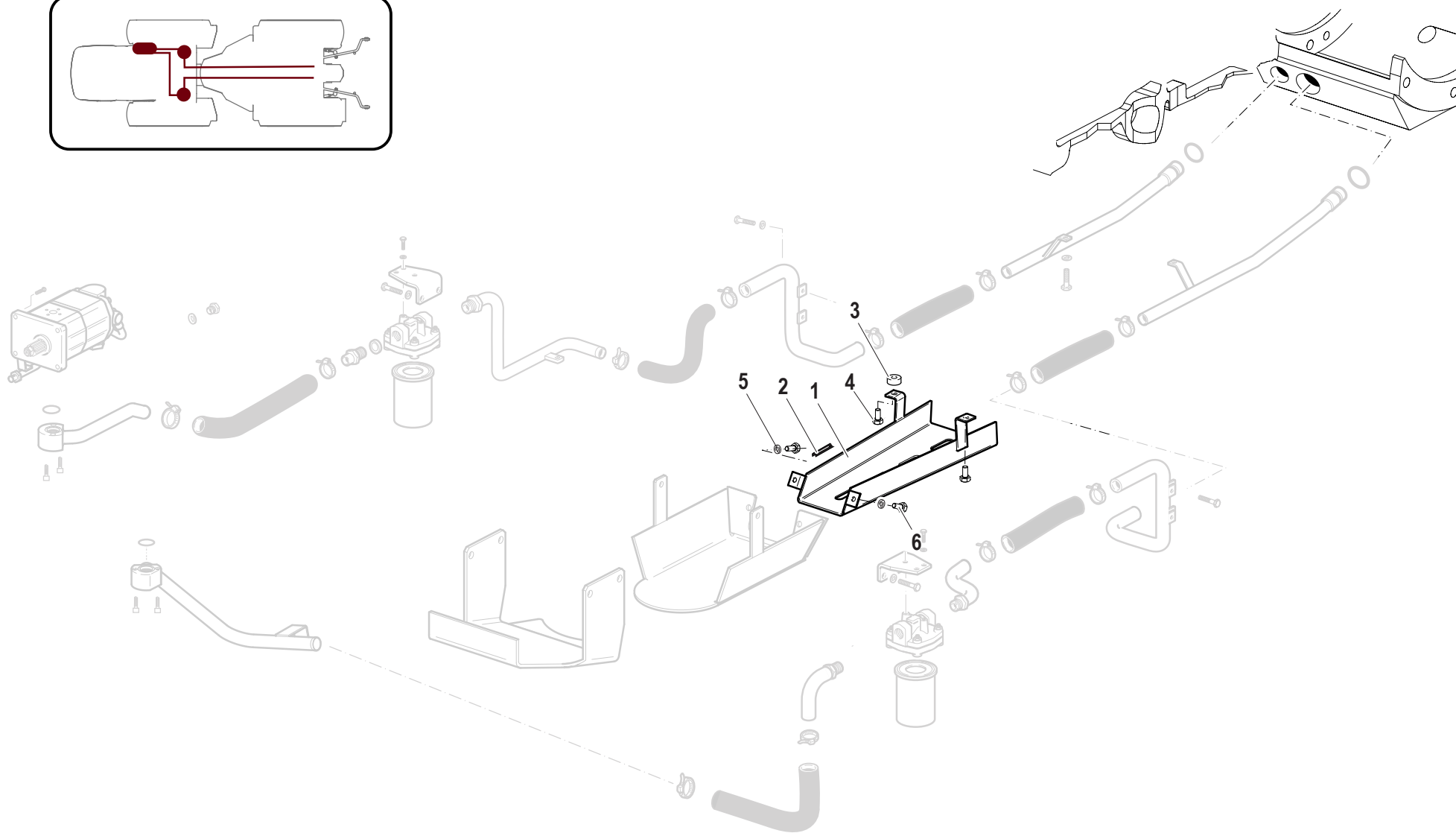
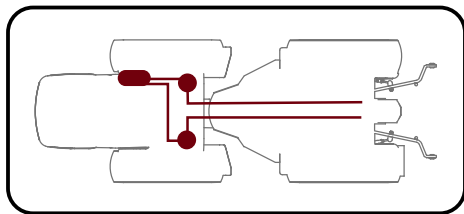
Pos.	Code	Q.ty	Description	Notes
1	58175007	1	LIFT PUMP	

SERIAL  
START  
**916941**

**HYDR. SYSTEM DOUBLE OIL SUCTION PUMP 50 Lt.**

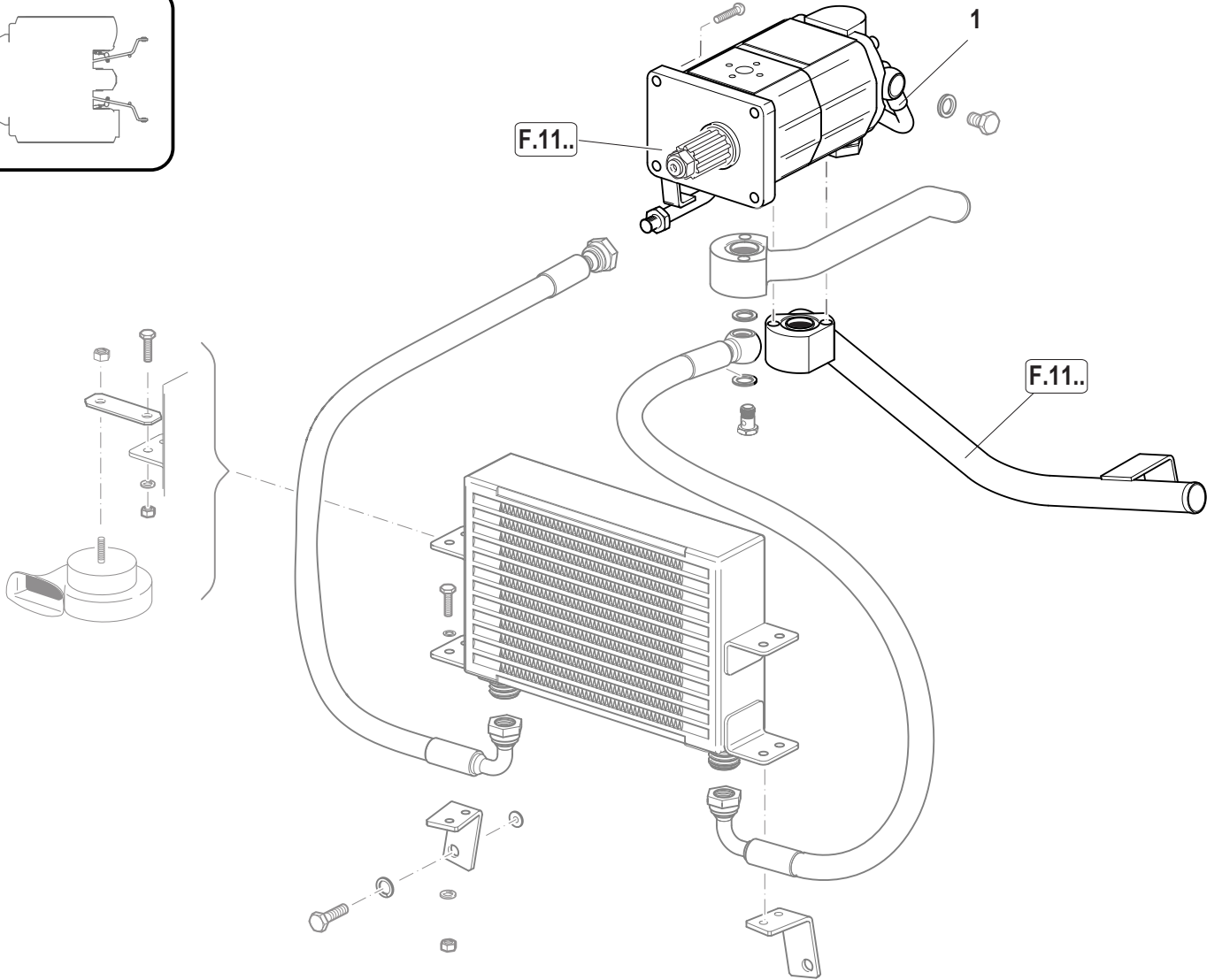
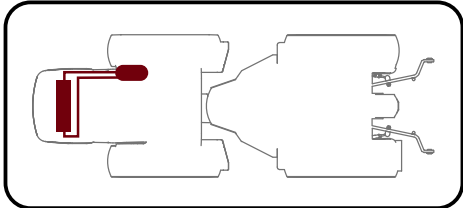
CODE REV  
**F.11.02.L70001\_1**

OIL SUCTION FOR FRONT LIFT HYDRAULIC CIRCUIT



<b>Pos.</b>	<b>Code</b>	<b>Q.ty</b>	<b>Description</b>	<b>Notes</b>
6	31112147	3	SCREW TE M8X18 UNI 5739 8G	
4	31112211	1	SCREW TE M10X30 UNI 5739	
3	56173110	1	SPACER	
1	59078594	1	SHIELD	
2	F0256808000	1	FLAT BAND	
5	F0843643060	3	WASHER 8	

HYDR. SYSTEM : HEAT EXCHANGER PUMP 30 Lt.



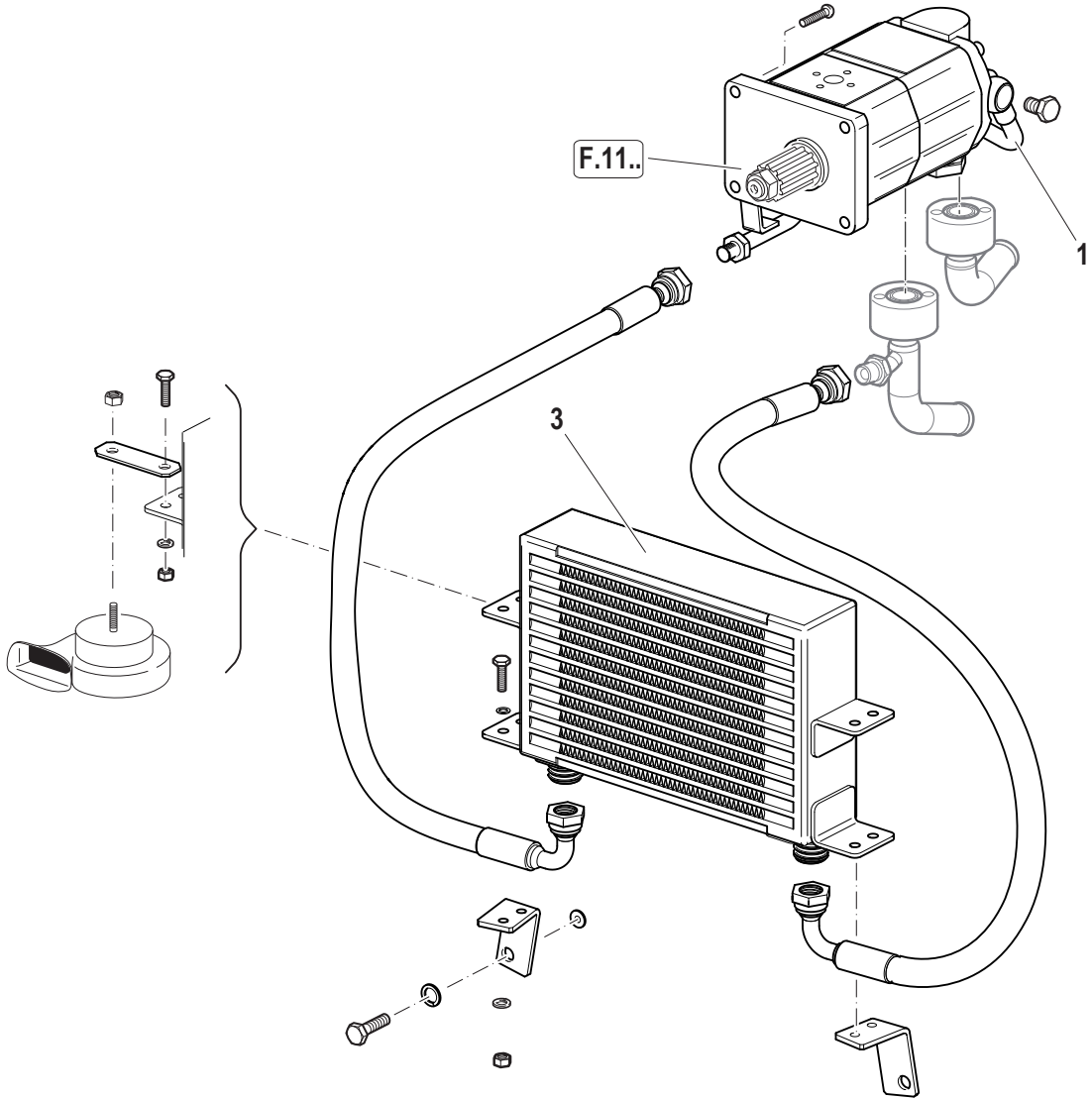
Pos.	Code	Q.ty	Description	Notes
1	59079478	1	PRESSURE PIPE	

SERIAL  
END  
**916940**

**HYDR. SYSTEM : HEAT EXCHANGER PUMP 30 Lt.**

CODE REV  
**F.12.01.L70001\_0**

HYDR. SYSTEM : HEAT EXCHANGER PUMP 30 Lt.



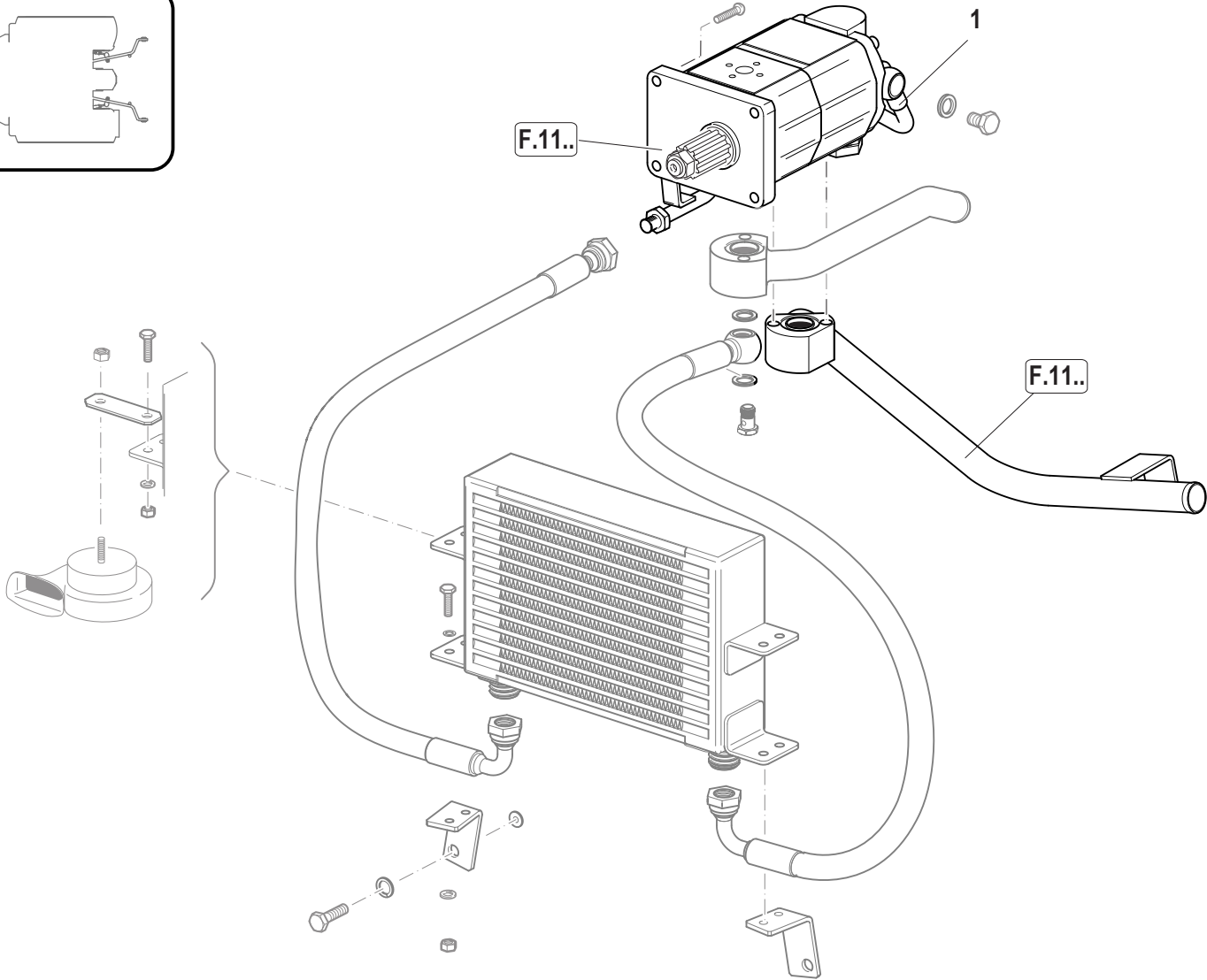
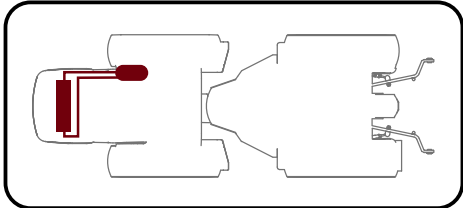
Pos.	Code	Q.ty	Description	Notes
1	59079478	1	PRESSURE PIPE	

SERIAL  
START  
**916941**

**HYDR. SYSTEM : HEAT EXCHANGER PUMP 30 Lt.**

CODE REV  
**F.12.01.L70001\_1**





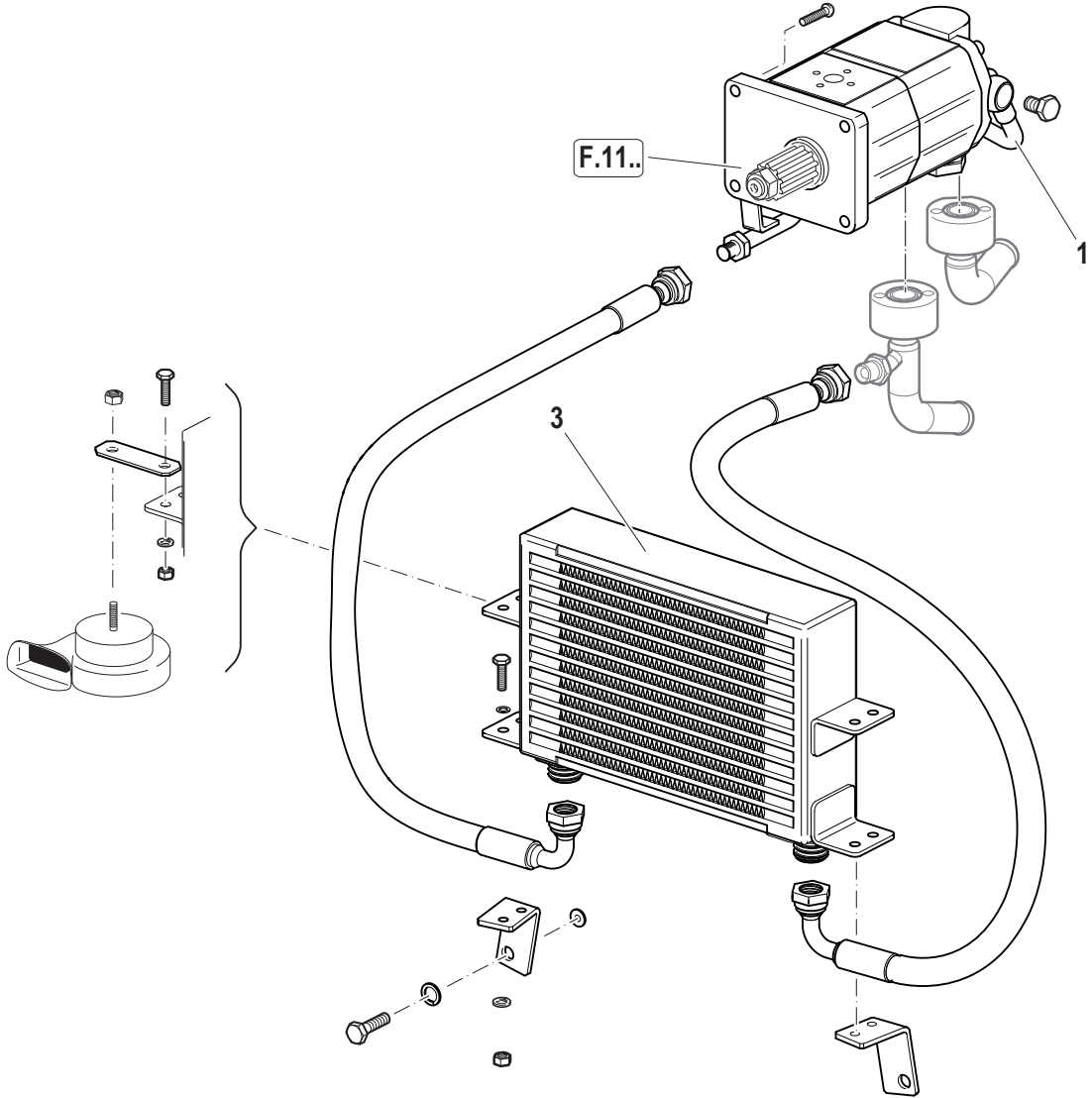
Pos.	Code	Q.ty	Description	Notes
1	59076214	1	PRESSURE PIPE	

SERIAL  
END  
**916940**

**HYDR. SYSTEM : HEAT EXCHANGER PUMP 50 Lt.**

CODE REV  
**F.12.02.L70001\_0**

HYDR. SYSTEM : HEAT EXCHANGER PUMP 50 Lt.

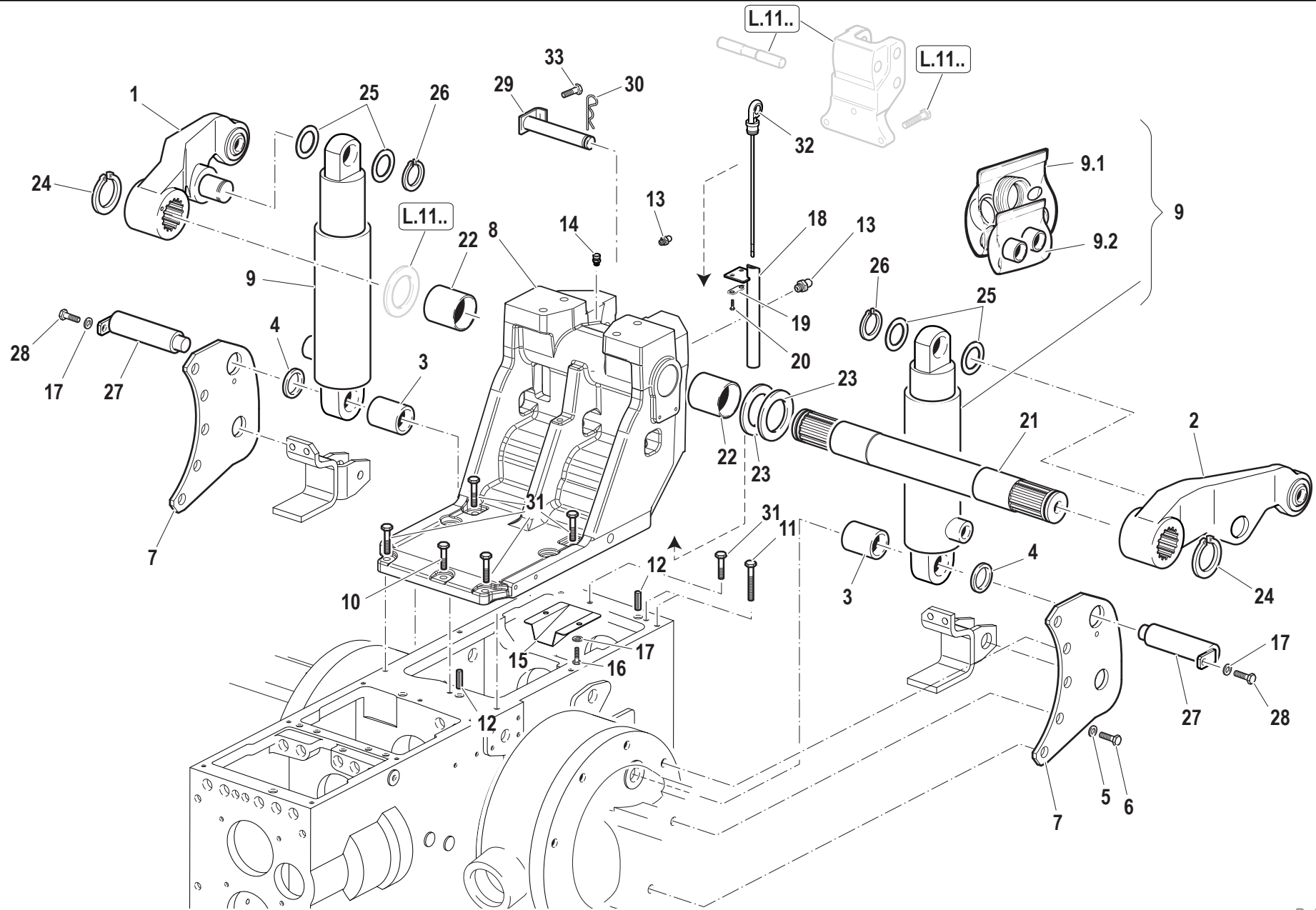


Pos.	Code	Q.ty	Description	Notes
1	59076214	1	PRESSURE PIPE	

SERIAL  
START  
**916941**

**HYDR. SYSTEM : HEAT EXCHANGER PUMP 50 Lt.**

CODE REV  
**F.12.02.L70001\_1**



Pos.	Code	Q.ty	Description	Notes
20	31112082	2	SCREW TE M6X12 UNI 5739 8G	
16	31112149	2	SCREW TE M8X12 UNI 5739 8G	
28	31112150	2	SCREW TE M8X20 UNI 5739 8G	
10	31112211	1	SCREW TE M10X30 UNI 5739	
31	31112212	6	SCREW TE M10X35 UNI 5739	
8	51278558	1	SUPPORT	
19	52071702	1	CLAMPING PLATE	
15	56173638	1	GUARD	
7	56178845	2	PLATE	
3	56178864	2	SPACER	
25	56370282	4	SHIM	
23	56370288	2	SHIM	
29	56374574	1	CONNECTING BOLT	
27	56375860	2	HINGE PIN	
21	56376260	1	SHAFT	
12	56570016	2	CYLINDRICAL PLUG	
14	58075603	1	PLUG	
4	58078863	2	THRUST PLATE	
22	58170291	2	BUSHING	
32	58174581	1	OIL LEVEL ROD	
9	58178556	2	CYLINDER	
2	59078551	1	LIFTING ARM	
1	59078552	1	RIGHT ARM	
18	59079485	1	PIPE	
26	F0801241010	2	SEEGER RING	
24	F0801331050	2	SEEGER RING	
13	F0826056000	2	LUBRICATOR M10 UNI 7663A	
17	F0843643060	4	WASHER 8	
5	F0843921030	4	WASHER 14	
30	F0851486000	1	SPLIT PIN	
33	F0862593050	1	SCREW M8X20 UNI 5927	
11	F0863429000	4	SCREW M10X45 UNI 5737	
34	F0863493000	1	SCREW M10X55 UNI 5737	
6	F0864276000	4	SCREW M14x50 UNI 5738	

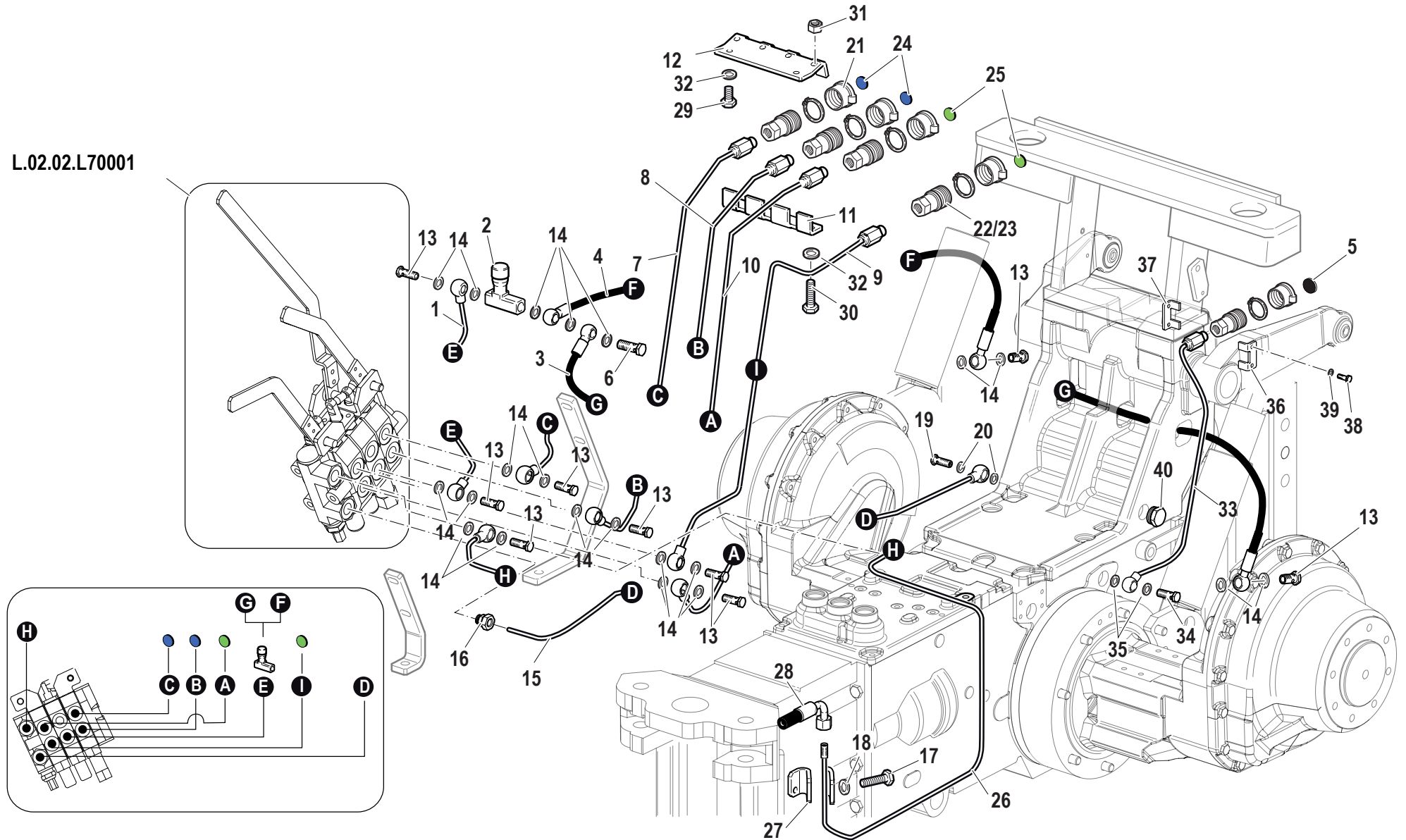
SERIAL

**LIFT**

CODE REV

**L.01.01.L70001\_0**

L.02.02.L70001



L.02.01.L70001\_0.ai

Pos.	Code	Q.ty	Description	Notes
16	30000244	1	PIPE FITTING	
29	31111151	2	SCREW TE M8X16 UNI 5739 8G	
30	31112161	3	SCREW TE M8X50 UNI 5737 8G	
17	31112210	2	SCREW TE M10X20 UNI 5739	
31	31211080	3	NUT M8	
36	56178727	1	COMB	
37	56178728	1	COMB	
11	56178729	1	COMB	
12	56178730	1	COMB	
27	56179034	1	BRACKET	
28	58077114	1	FLEXIBLE HOSE	
3	58079254	1	FLEXIBLE HOSE	
4	58079255	1	FLEXIBLE HOSE	
6	58170693	1	PIPE FITTING	
7	59079091	1	PIPE	
8	59079092	1	PIPE	
9	59079093	1	PIPE	
10	59079094	1	PIPE	
33	59079102	1	PIPE	
26	59079109	1	PRESSURE PIPE	
15	59079112	1	EXHAUST	
1	59079113	1	PRESSURE PIPE	
14	F0824110000	21	COPPER WASHER 3/8 GAS	
20	F0824141000	2	COPPER WASHER 21x27/1,5	
22	F0825980032	5	COUPLING	
23	F0825981000	5	COUPLING	
13	F0843109020	9	PIPE FITTING	
19	F0843116000	1	PIPE FITTING 1/2	
34	F0843122000	1	SCREW 22x1,5	
32	F0843643060	5	WASHER 8	
39	F0843643060	2	WASHER 8	
18	F0843755000	1	WASHER 10	
35	F0844273090	2	GASKET 22X28X1,5 CU 99,5	
21	F0852550100	5	PLUG	

SERIAL  
END

916940

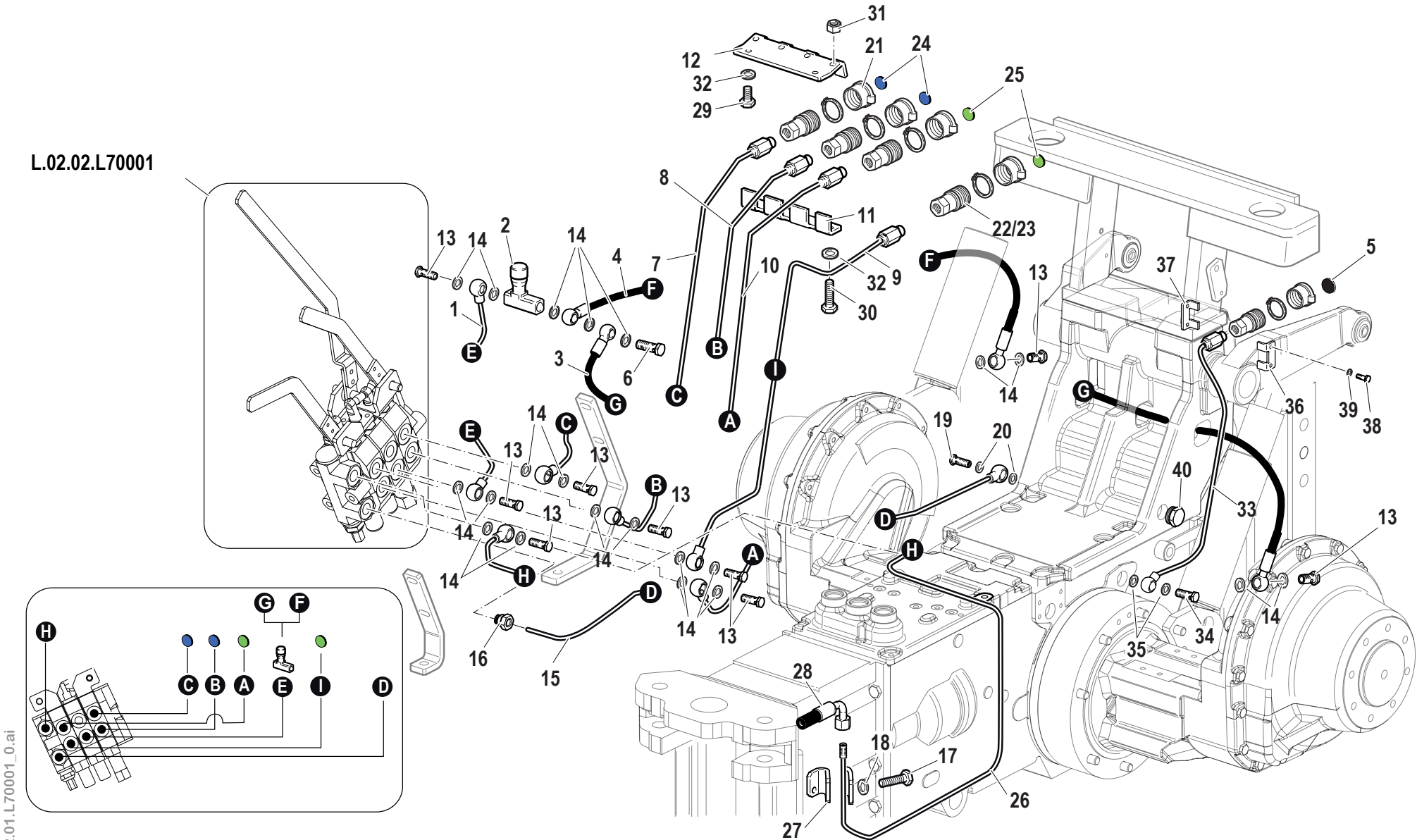
## CONTROL VALVES

CODE REV

L.02.01.L70001\_0



L.02.02.L70001



L.02.01.L70001\_0.ai

Pos.	Code	Q.ty	Description	Notes
24	F0852550220	2	DECAL	
25	F0852550230	2	DECAL	
5	F0852550240	1	DECAL	
38	F0862944000	2	SCREW M8X60 UNI 5737	
40	P000000377125	1	PLUG	
2	P241171000000	1	VALVE	

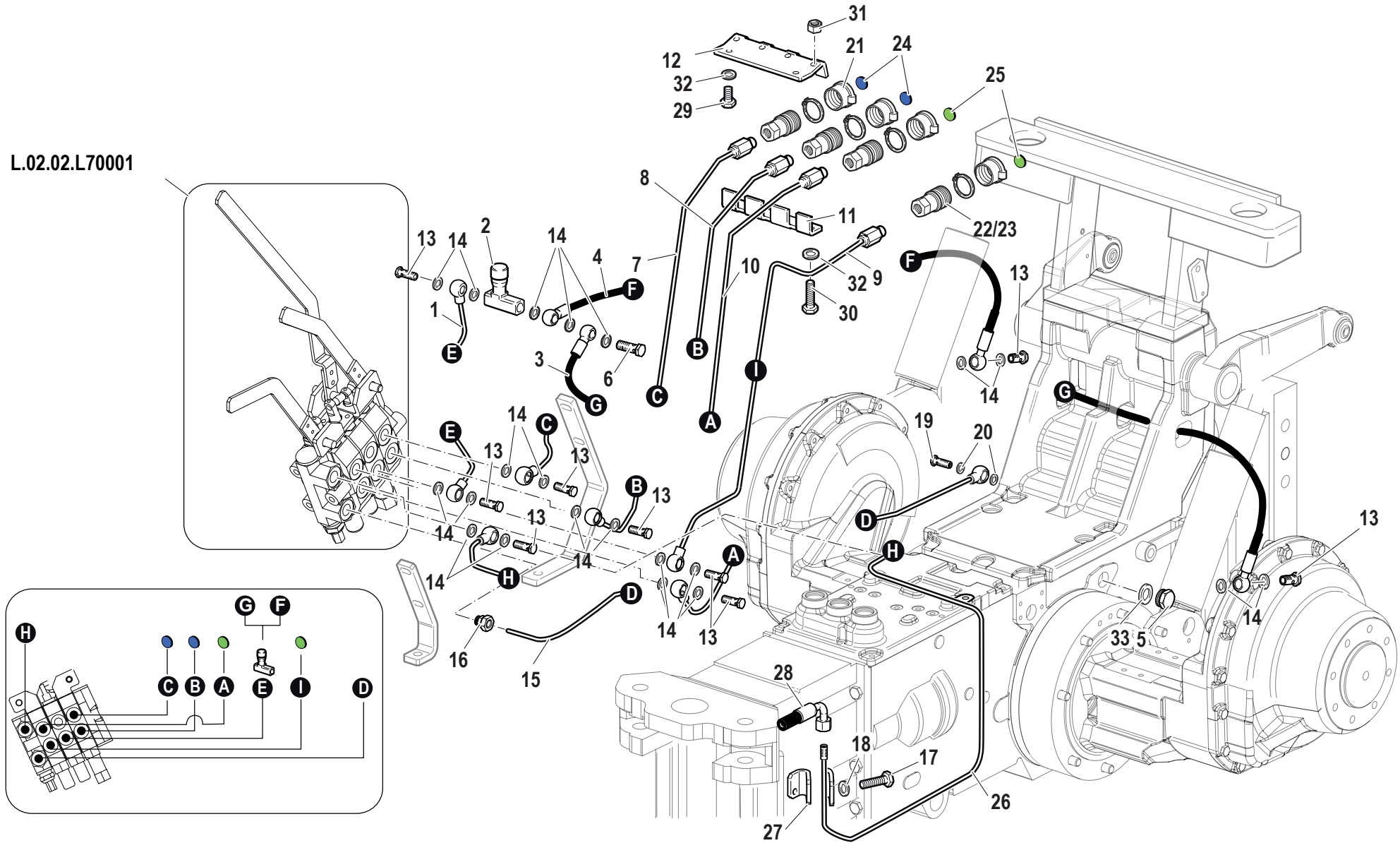
SERIAL  
END  
**916940**

**CONTROL VALVES**

CODE REV  
**L.02.01.L70001\_0**

CONTROL VALVES

L.02.02.L70001



L.02.01.L70001\_1.ai

Pos.	Code	Q.ty	Description	Notes
16	30000244	1	PIPE FITTING	
29	31111151	2	SCREW TE M8X16 UNI 5739 8G	
30	31112161	3	SCREW TE M8X50 UNI 5737 8G	
17	31112210	2	SCREW TE M10X20 UNI 5739	
31	31211080	3	NUT M8	
11	56178729	1	COMB	
12	56178730	1	COMB	
27	56179034	1	BRACKET	
5	56370081	1	PLUG	
28	58077114	1	FLEXIBLE HOSE	
3	58079254	1	FLEXIBLE HOSE	
4	58079255	1	FLEXIBLE HOSE	
6	58170693	1	PIPE FITTING	
7	59079091	1	PIPE	
8	59079092	1	PIPE	
9	59079093	1	PIPE	
10	59079094	1	PIPE	
26	59079109	1	PRESSURE PIPE	
15	59079112	1	EXHAUST	
1	59079113	1	PRESSURE PIPE	
14	F0824110000	21	COPPER WASHER 3/8 GAS	
20	F0824141000	2	COPPER WASHER 21x27/1,5	
22	F0825980032	5	COUPLING	
23	F0825981000	5	COUPLING	
13	F0843109020	9	PIPE FITTING	
19	F0843116000	1	PIPE FITTING 1/2	
32	F0843643060	5	WASHER 8	
18	F0843755000	1	WASHER 10	
33	F0844273090	1	GASKET 22X28X1,5 CU 99,5	
21	F0852550100	5	PLUG	
24	F0852550220	2	DECAL	
25	F0852550230	2	DECAL	
2	P241171000000	1	VALVE	

SERIAL  
START  
**916941**

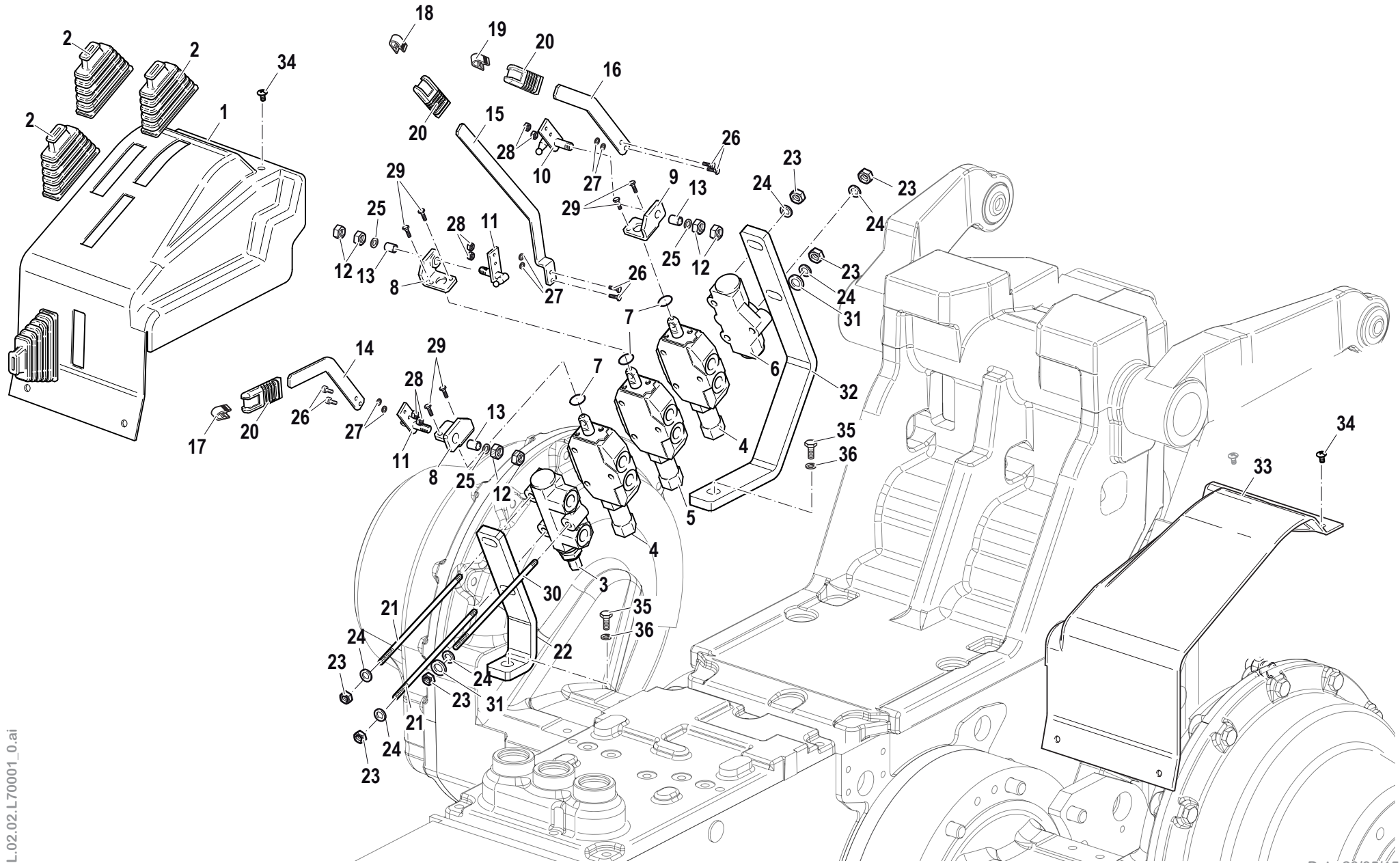
**CONTROL VALVES**

CODE REV

**L.02.01.L70001\_1**

# CONTROL VALVES LEVERS

SERIAL END 916940



Pos.	Code	Q.ty	Description	Notes
35	31112219	2	SCREW TE M10X25 UNI 5739	
28	31211050	6	NUT M5	
23	31211080	6	NUT M8	
31	31411084	2	WASHER 8,4x17	
25	31423105	3	SPRING WASHER 10,5	
2	55178581	3	BELLOWS	
32	56178722	1	FIXING BRACKET	
14	56178947	1	COMMAND LEVER	
16	56178948	1	COMMAND LEVER	
15	56178949	1	COMMAND LEVER	
22	56178969	1	BRACKET	
21	56178970	2	ROD	
1	57378937	1	COVER	
33	57379028	1	COVER	
30	58172017	1	ROD	
6	58172489	1	COVER	
20	58175187	3	KNOB	
18	58175211	1	INSERT	
17	58176866	1	INSERT	
19	58176867	1	INSERT	
3	58176872	1	HEAD	
5	58176874	1	S.A. VALVE	
4	58176876	2	D.A. VALVE	
7	58176938	3	GASKET	
9	59076261	1	SUPPORT	
8	59076262	2	SUPPORT	
10	59076263	1	LEVER	
11	59076264	2	LEVER	
12	F0814627000	6	NUT M10	
27	F0843561000	6	WASHER 5	
24	F0843643060	6	WASHER 8	
36	F0843755000	2	WASHER 10	
26	F0861929060	6	SCREW M5X12 UNI 5739	
34	F0861973100	8	SCREW M6X12 COMBI	

SERIAL  
END

**916940**

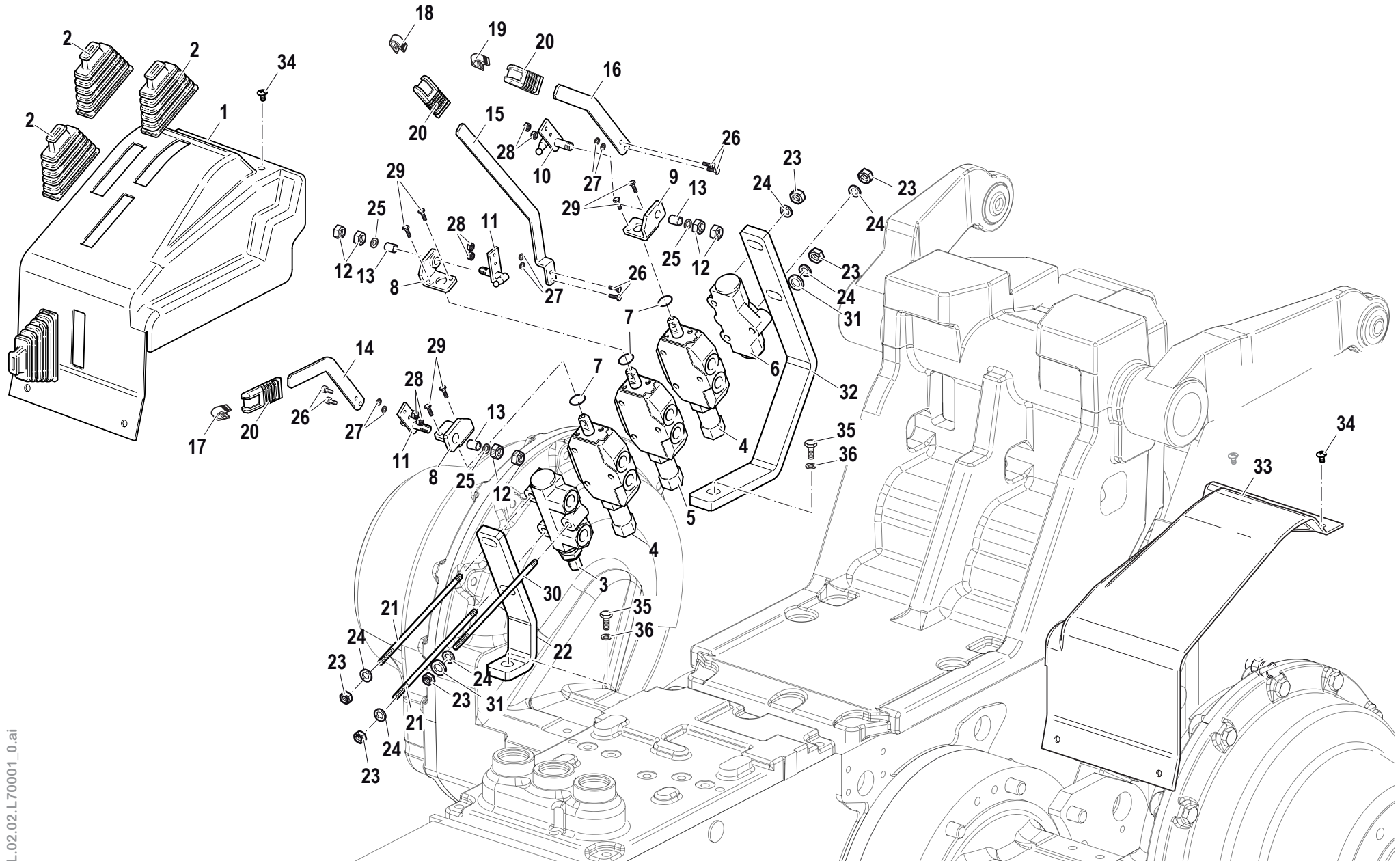
**CONTROL VALVES LEVERS**

CODE REV

**L.02.02.L70001\_0**

# CONTROL VALVES LEVERS

SERIAL END 916940



Pos.	Code	Q.ty	Description	Notes
29	P000000005113	6	SCREW M5X12 UNI 5931 8G	
13	P000000309111	3	BUSHING	

SERIAL  
END  
**916940**

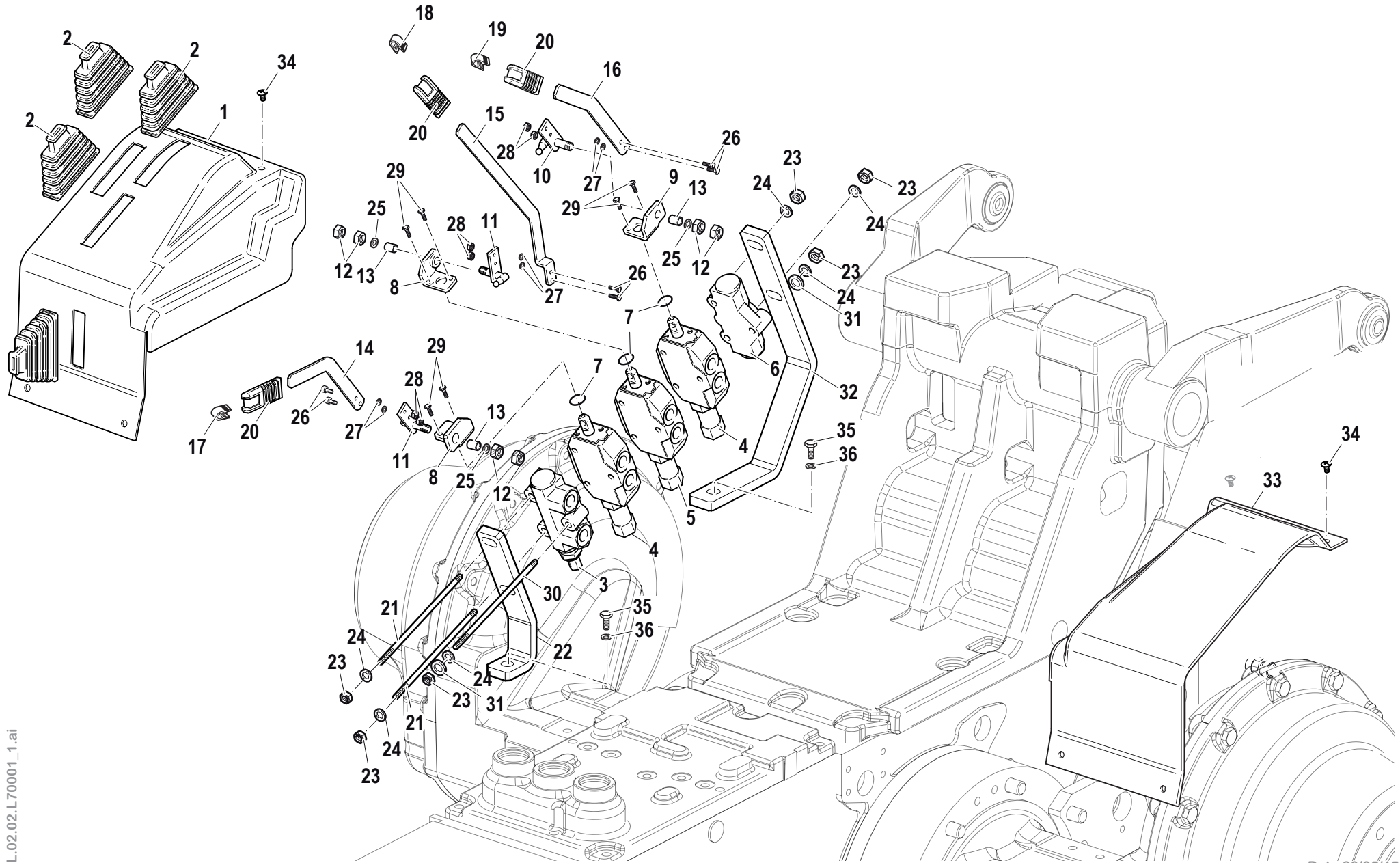
**CONTROL VALVES LEVERS**

CODE REV  
**L.02.02.L70001\_0**



# CONTROL VALVES LEVERS

SERIAL START 916941



Pos.	Code	Q.ty	Description	Notes
35	31112219	2	SCREW TE M10X25 UNI 5739	
28	31211050	6	NUT M5	
23	31211080	6	NUT M8	
31	31411084	2	WASHER 8,4x17	
25	31423105	3	SPRING WASHER 10,5	
2	55178581	3	BELLOWS	
32	56178722	1	FIXING BRACKET	
14	56178947	1	COMMAND LEVER	
16	56178948	1	COMMAND LEVER	
15	56178949	1	COMMAND LEVER	
22	56178969	1	BRACKET	
21	56178970	2	ROD	
1	57379978	1	COVER	
33	57379980	1	COVER	
30	58172017	1	ROD	
6	58172489	1	COVER	
18	58175211	1	INSERT	
17	58176866	1	INSERT	
19	58176867	1	INSERT	
3	58176872	1	HEAD	
5	58176874	1	S.A. VALVE	
4	58176875	2	D.A. VALVE	
7	58176938	3	GASKET	
9	59076261	1	SUPPORT	
8	59076262	2	SUPPORT	
10	59076263	1	LEVER	
11	59076264	2	LEVER	
12	F0814627000	6	NUT M10	
27	F0843561000	6	WASHER 5	
24	F0843643060	6	WASHER 8	
20	F0843755000	2	WASHER 10	
36	F0843755000	2	WASHER 10	
26	F0861929060	6	SCREW M5X12 UNI 5739	
34	F0861973100	8	SCREW M6X12 COMBI	

SERIAL  
START  
**916941**

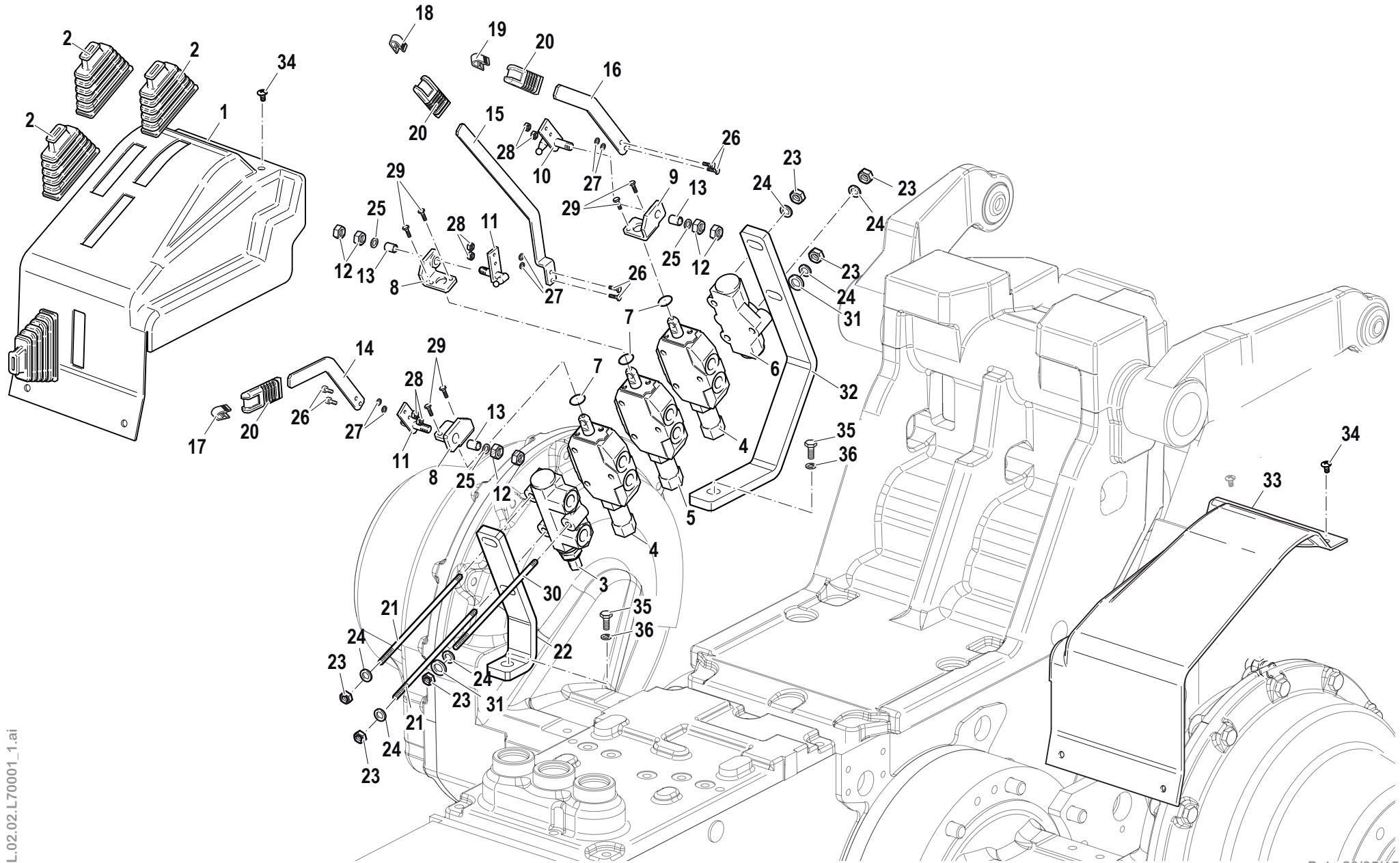
**CONTROL VALVES LEVERS**

CODE REV

**L.02.02.L70001\_1**

# CONTROL VALVES LEVERS

SERIAL START 916941

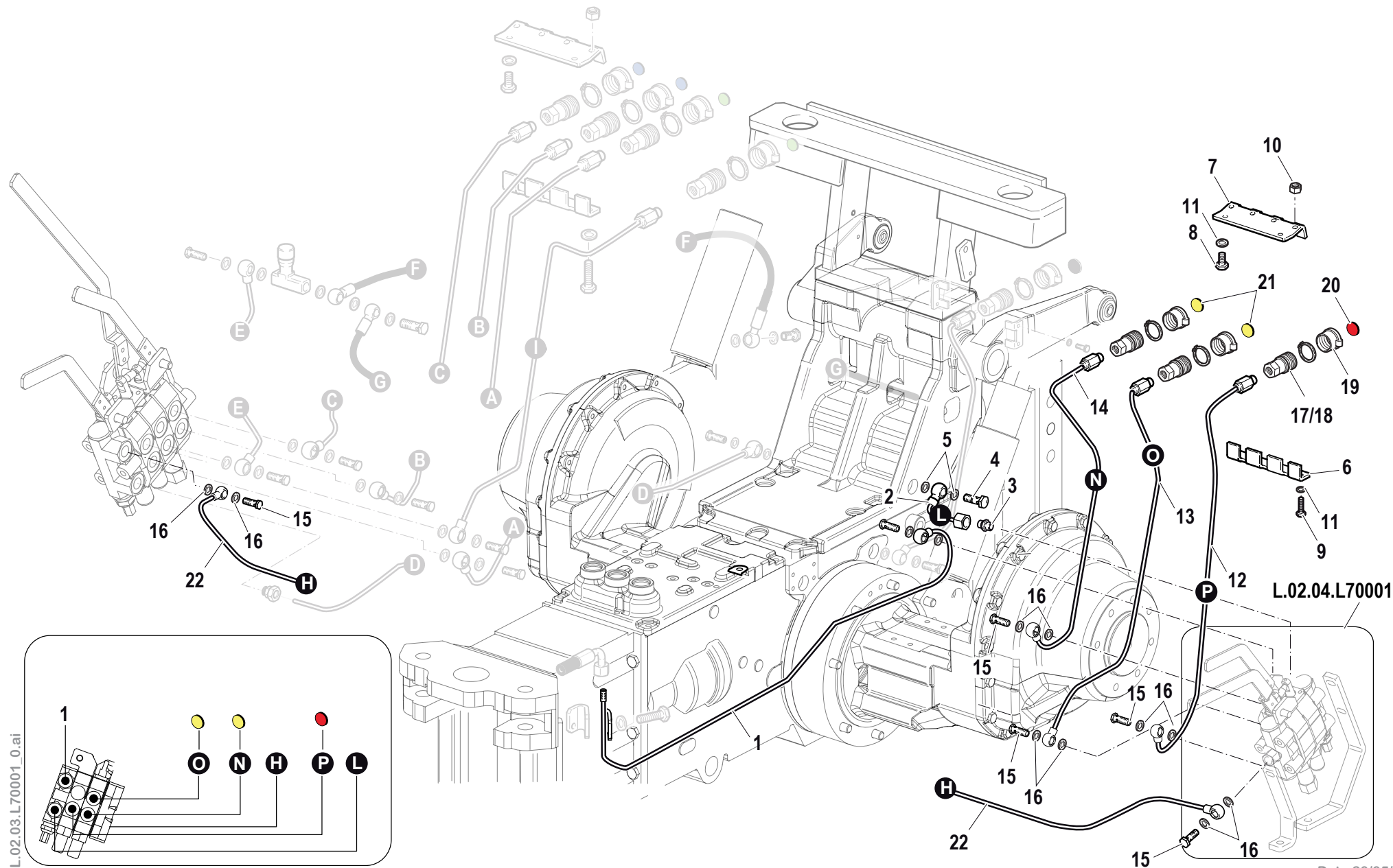


Pos.	Code	Q.ty	Description	Notes
29	P000000005106	6	SCREW M5X16 UNI 5931 8G	
13	P000000309111	3	BUSHING	

SERIAL  
START  
**916941**

**CONTROL VALVES LEVERS**

CODE REV  
**L.02.02.L70001\_1**



L.02.03.L70001\_0.ai

L.02.04.L70001

Pos.	Code	Q.ty	Description	Notes
3	30000244	1	PIPE FITTING	
8	31111151	2	SCREW TE M8X16 UNI 5739 8G	
9	31112161	3	SCREW TE M8X50 UNI 5737 8G	
10	31211080	3	NUT M8	
6	56178729	2	COMB	
7	56178730	2	COMB	
12	59079096	1	PIPE	
13	59079097	1	PIPE	
14	59079098	1	PIPE	
22	59079111	1	PIPE	
2	59079114	1	EXHAUST	
1	59079243	1	PRESSURE PIPE	
16	F0824110000	10	COPPER WASHER 3/8 GAS	
5	F0824141000	2	COPPER WASHER 21x27/1,5	
18	F0825980032	3	COUPLING	
17	F0825981000	3	COUPLING	
15	F0843109020	5	PIPE FITTING	
4	F0843116000	1	PIPE FITTING 1/2	
11	F0843643060	5	WASHER 8	
19	F0852550100	3	PLUG	
20	F0852550200	1	DECAL	
21	F0852550210	2	DECAL	

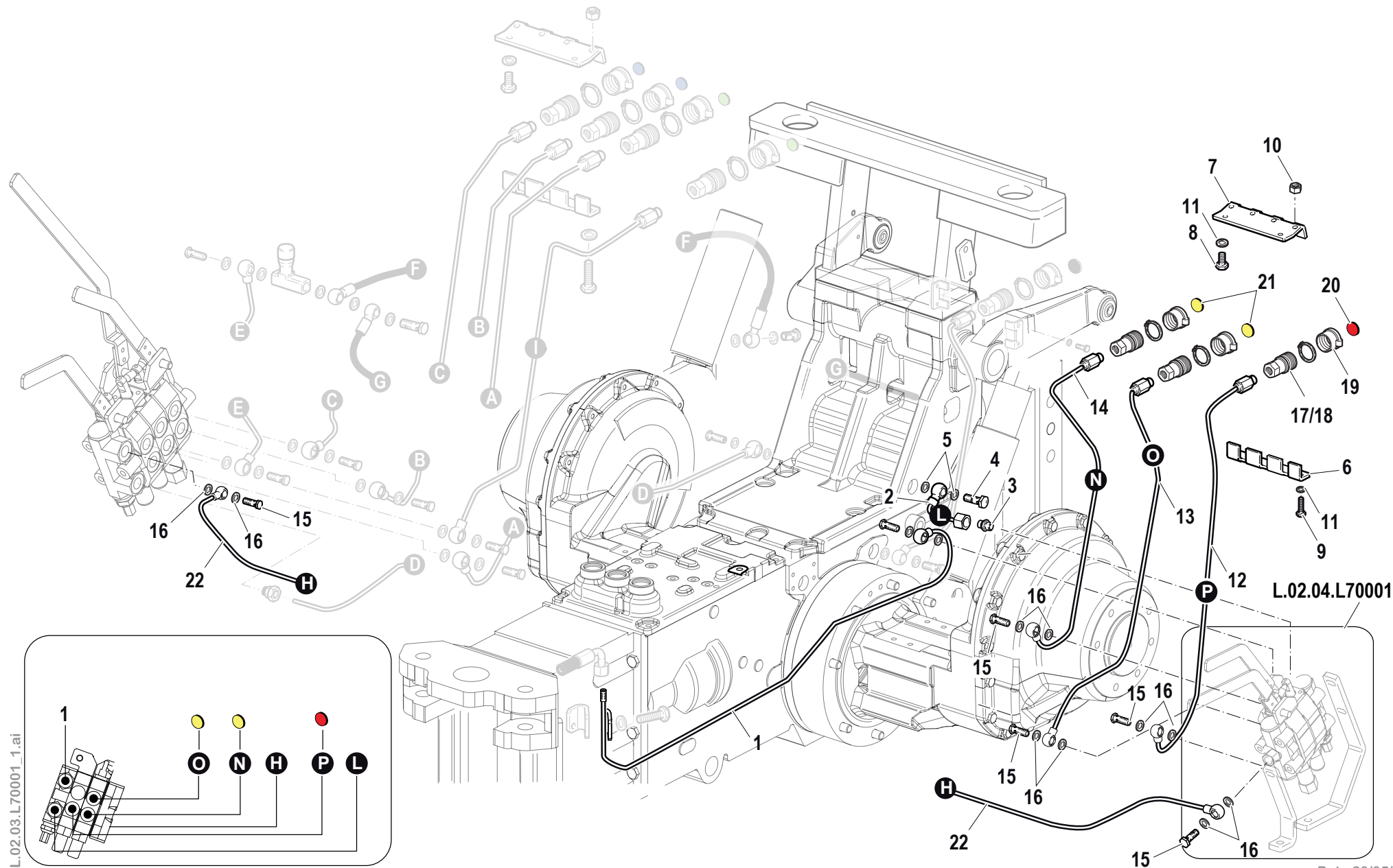
SERIAL  
END

916940

**CONTROL VALVES - 1 DOUBLE ACTING +1 SIMPLE ACTING WITH LOCKABLE  
DELIVERY POSITION VERSION**

CODE REV

L.02.03.L70001\_0



L.02.03.L70001\_1.ai

L.02.04.L70001

Pos.	Code	Q.ty	Description	Notes
3	30000244	1	PIPE FITTING	
8	31111151	2	SCREW TE M8X16 UNI 5739 8G	
9	31112161	3	SCREW TE M8X50 UNI 5737 8G	
10	31211080	3	NUT M8	
6	56178729	2	COMB	
7	56178730	2	COMB	
12	59079096	1	PIPE	
13	59079097	1	PIPE	
14	59079098	1	PIPE	
22	59079111	1	PIPE	
2	59079114	1	EXHAUST	
1	59079243	1	PRESSURE PIPE	
16	F0824110000	10	COPPER WASHER 3/8 GAS	
5	F0824141000	2	COPPER WASHER 21x27/1,5	
18	F0825980032	3	COUPLING	
17	F0825981000	3	COUPLING	
15	F0843109020	5	PIPE FITTING	
4	F0843116000	1	PIPE FITTING 1/2	
11	F0843643060	5	WASHER 8	
19	F0852550100	3	PLUG	
20	F0852550200	1	DECAL	
21	F0852550210	2	DECAL	

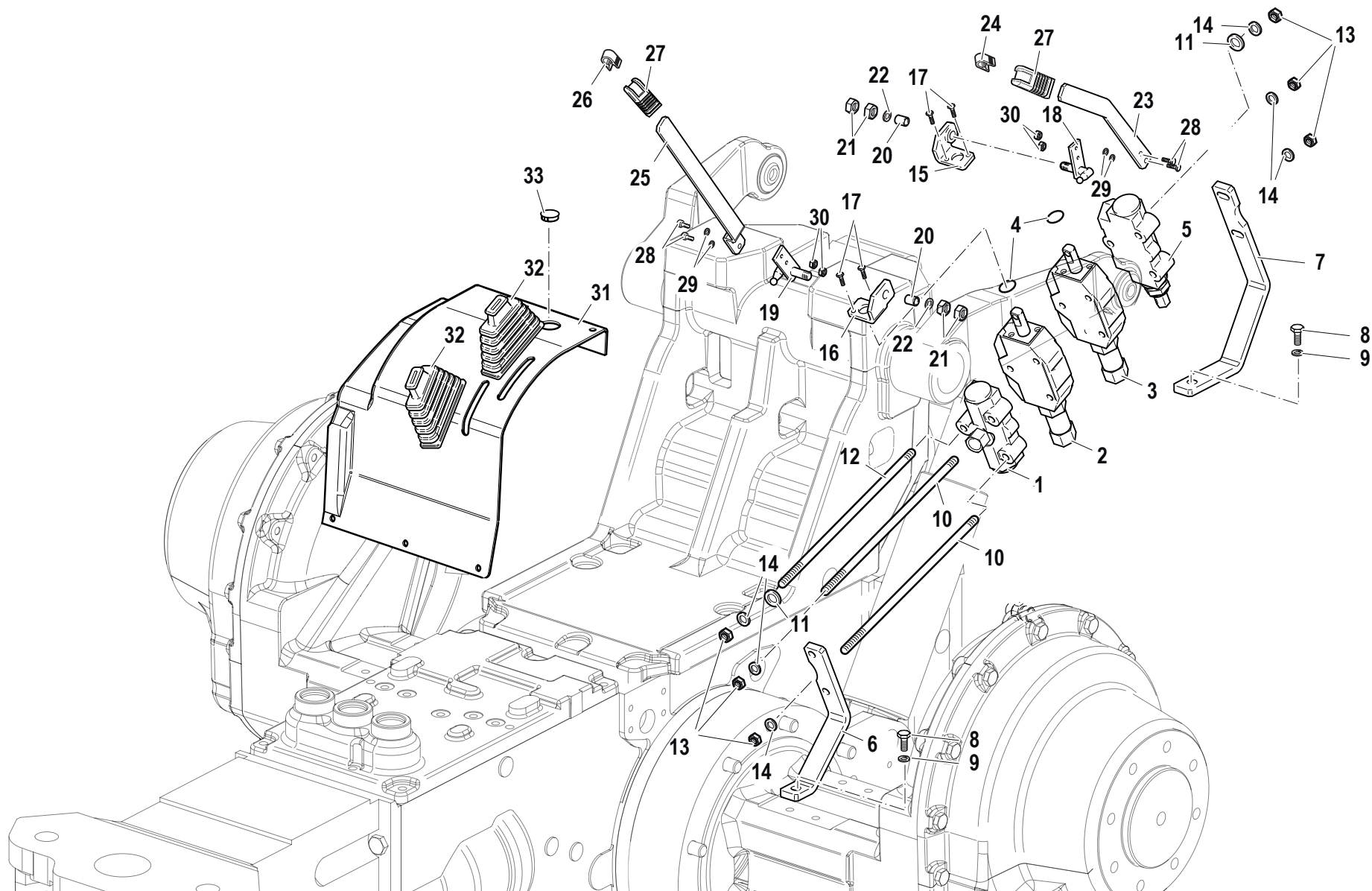
SERIAL  
START  
**916941**

**CONTROL VALVES - 1 DOUBLE ACTING +1 SIMPLE ACTING WITH LOCKABLE  
DELIVERY POSITION VERSION**

CODE REV  
**L.02.03.L70001\_1**



# CONTROL VALVES LEVERS - 1 DOUBLE ACTING +1 SIMPLE ACTING WITH LOCKABLE DELIVERY POSITION VERSION



Pos.	Code	Q.ty	Description	Notes
8	31112219	2	SCREW TE M10X25 UNI 5739	
30	31211050	4	NUT M5	
13	31211080	6	NUT M8	
11	31411084	2	WASHER 8,4x17	
22	31423105	2	SPRING WASHER 10,5	
32	55178581	2	BELLOWS	
6	56178721	1	FIXING BRACKET	
7	56178722	1	FIXING BRACKET	
23	56178948	1	COMMAND LEVER	
25,1	56178951	1	COMMAND LEVER	
10	56178993	2	ROD	
31	57379027	1	COVER	
12	58172016	1	ROD	
27	58175187	2	KNOB	
24	58175188	1	INSERT	
26	58175211	1	INSERT	
1	58176872	1	HEAD	
5	58176873	1	COVER	
3	58176874	1	S.A. VALVE	
2	58176875	1	D.A. VALVE	
4	58176938	2	GASKET	
33	58177547	1	PLUG	
15	59076261	1	SUPPORT	
16	59076262	1	SUPPORT	
18	59076263	1	LEVER	
19	59076264	1	LEVER	
21	F0814627000	4	NUT M10	
29	F0843561000	4	WASHER 5	
14	F0843643060	6	WASHER 8	
9	F0843755000	2	WASHER 10	
28	F0861929060	4	SCREW M5X12 UNI 5739	
17	P00000005113	4	SCREW M5X12 UNI 5931 8G	
20	P000000309111	2	BUSHING	

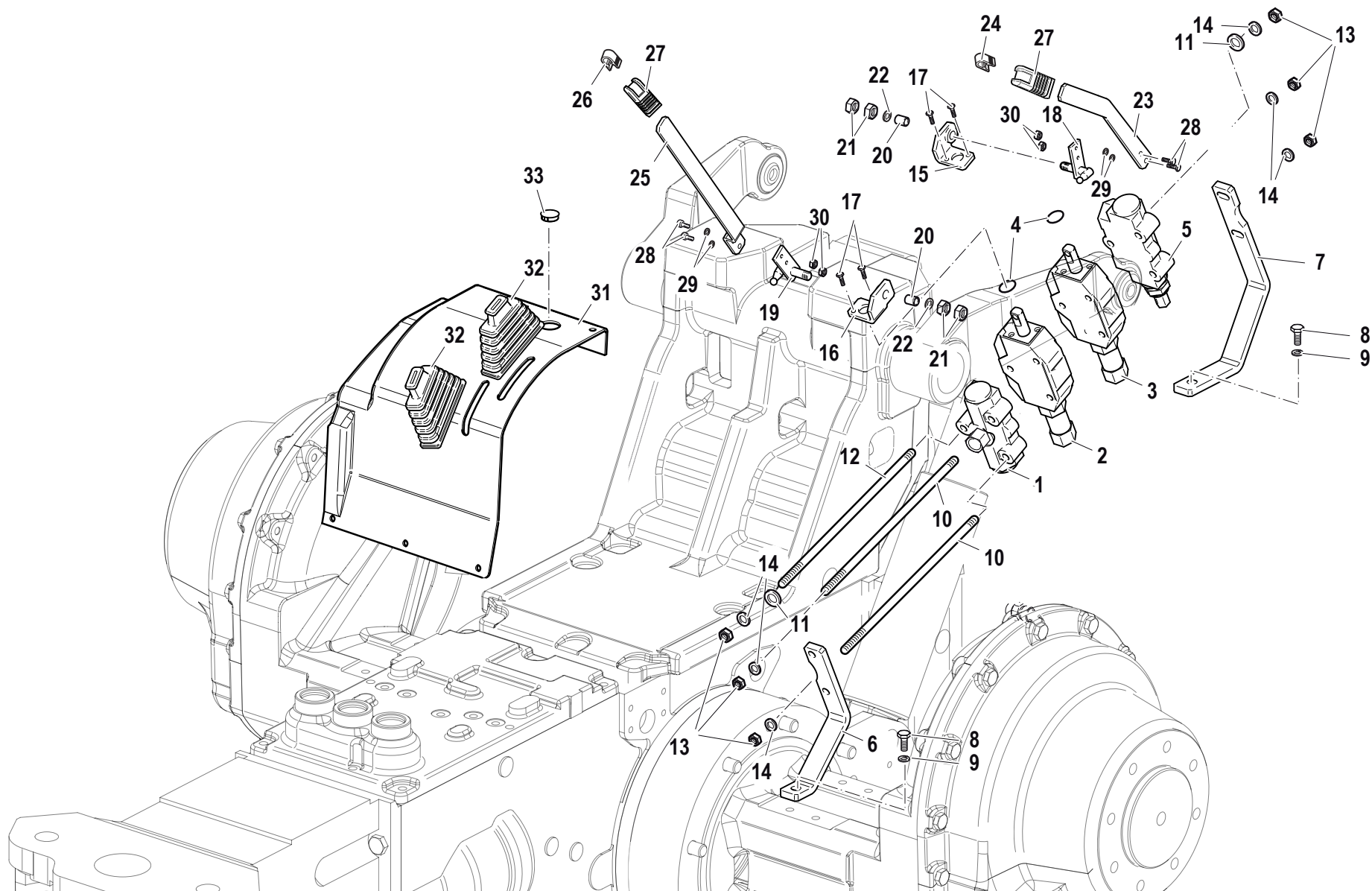
SERIAL  
END  
**916940**

**CONTROL VALVES LEVERS - 1 DOUBLE ACTING +1 SIMPLE ACTING WITH  
LOCKABLE DELIVERY POSITION VERSION**

CODE REV  
**L.02.04.L70001\_0**

# CONTROL VALVES LEVERS - 1 DOUBLE ACTING +1 SIMPLE ACTING WITH LOCKABLE DELIVERY POSITION VERSION

SERIAL START 916941



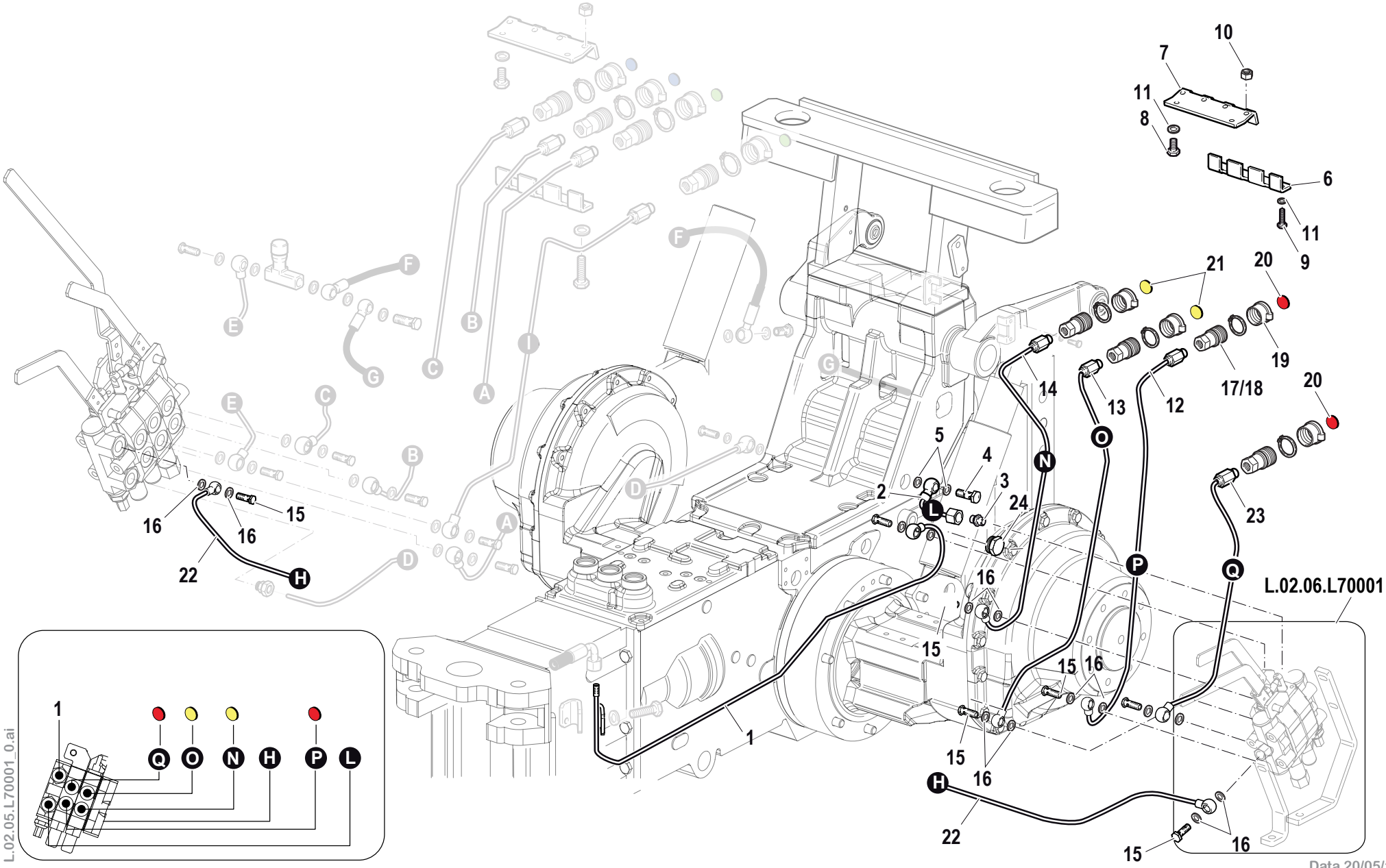
Pos.	Code	Q.ty	Description	Notes
8	31112219	2	SCREW TE M10X25 UNI 5739	
30	31211050	4	NUT M5	
13	31211080	6	NUT M8	
11	31411084	2	WASHER 8,4x17	
22	31423105	2	SPRING WASHER 10,5	
32	55178581	2	BELLOWS	
10	56176997	2	ROD	
6	56178721	1	FIXING BRACKET	
7	56178722	1	FIXING BRACKET	
23	56178948	1	COMMAND LEVER	
25	56178951	1	COMMAND LEVER	
31	57379979	1	COVER	
12	58172016	1	ROD	
27	58175187	2	KNOB	
24	58175188	1	INSERT	
26	58175211	1	INSERT	
1	58176872	1	HEAD	
5	58176873	1	COVER	
3	58176874	1	S.A. VALVE	
2	58176875	1	D.A. VALVE	
4	58176938	2	GASKET	
33	58177547	1	PLUG	
15	59076261	1	SUPPORT	
16	59076262	1	SUPPORT	
18	59076263	1	LEVER	
19	59076264	1	LEVER	
21	F0814627000	4	NUT M10	
29	F0843561000	4	WASHER 5	
14	F0843643060	6	WASHER 8	
9	F0843755000	2	WASHER 10	
28	F0861929060	4	SCREW M5X12 UNI 5739	
17	P00000005113	4	SCREW M5X12 UNI 5931 8G	
20	P000000309111	2	BUSHING	

SERIAL  
START  
**916941**

**CONTROL VALVES LEVERS - 1 DOUBLE ACTING +1 SIMPLE ACTING WITH  
LOCKABLE DELIVERY POSITION VERSION**

CODE REV  
**L.02.04.L70001\_1**

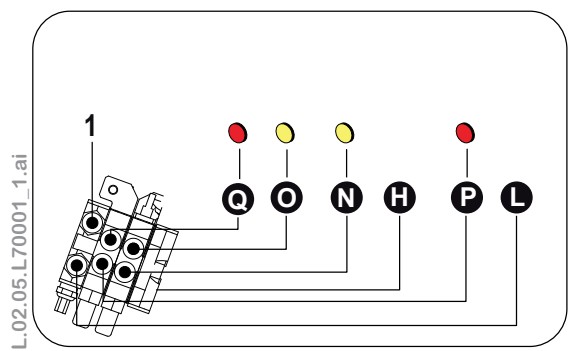
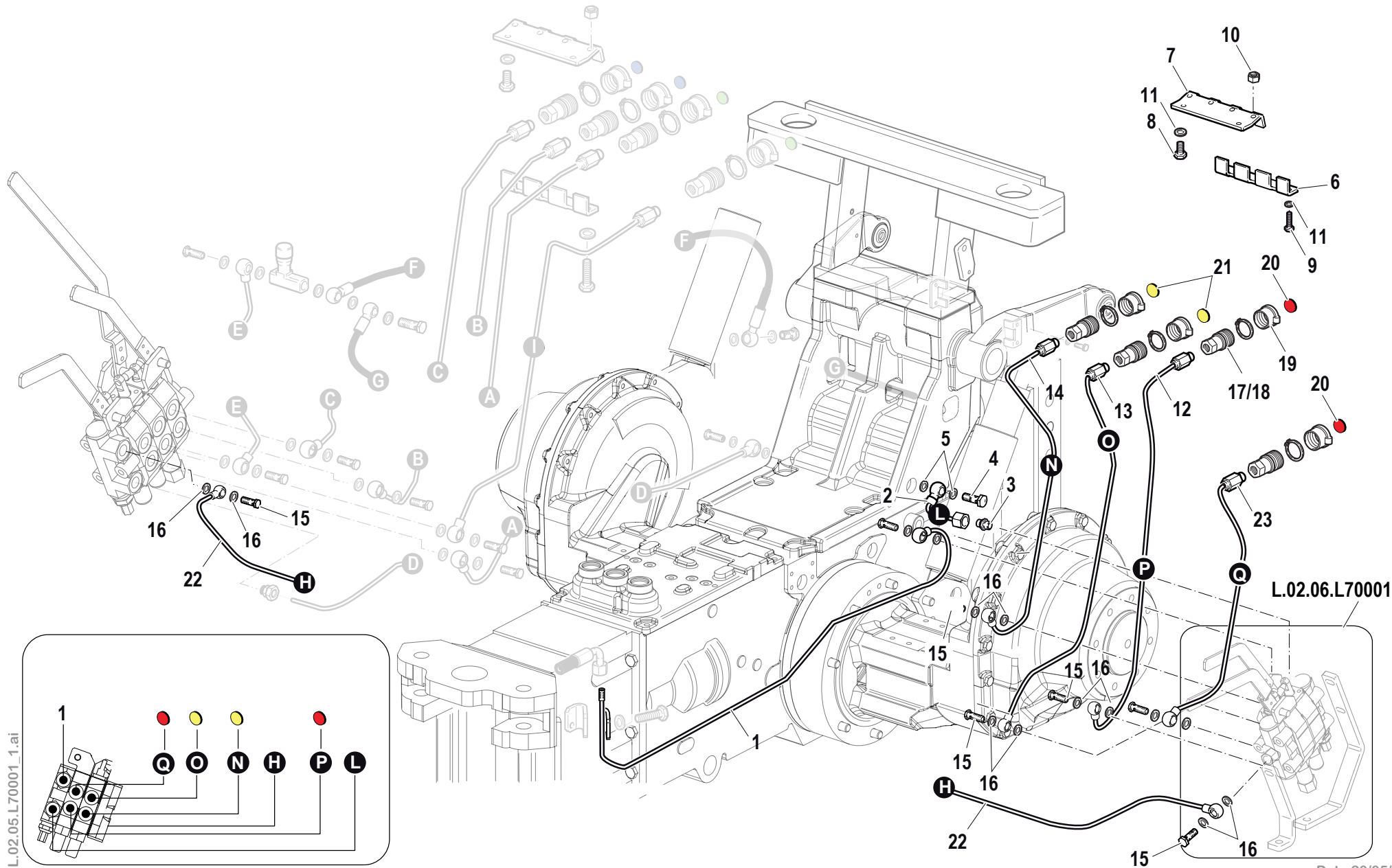
# CONTROL VALVES - 1 DOUBLE ACTING +1 DOUBLE ACTING WITH FLOAT VERSION



L.02.06.L70001

L.02.05.L70001\_0.ai

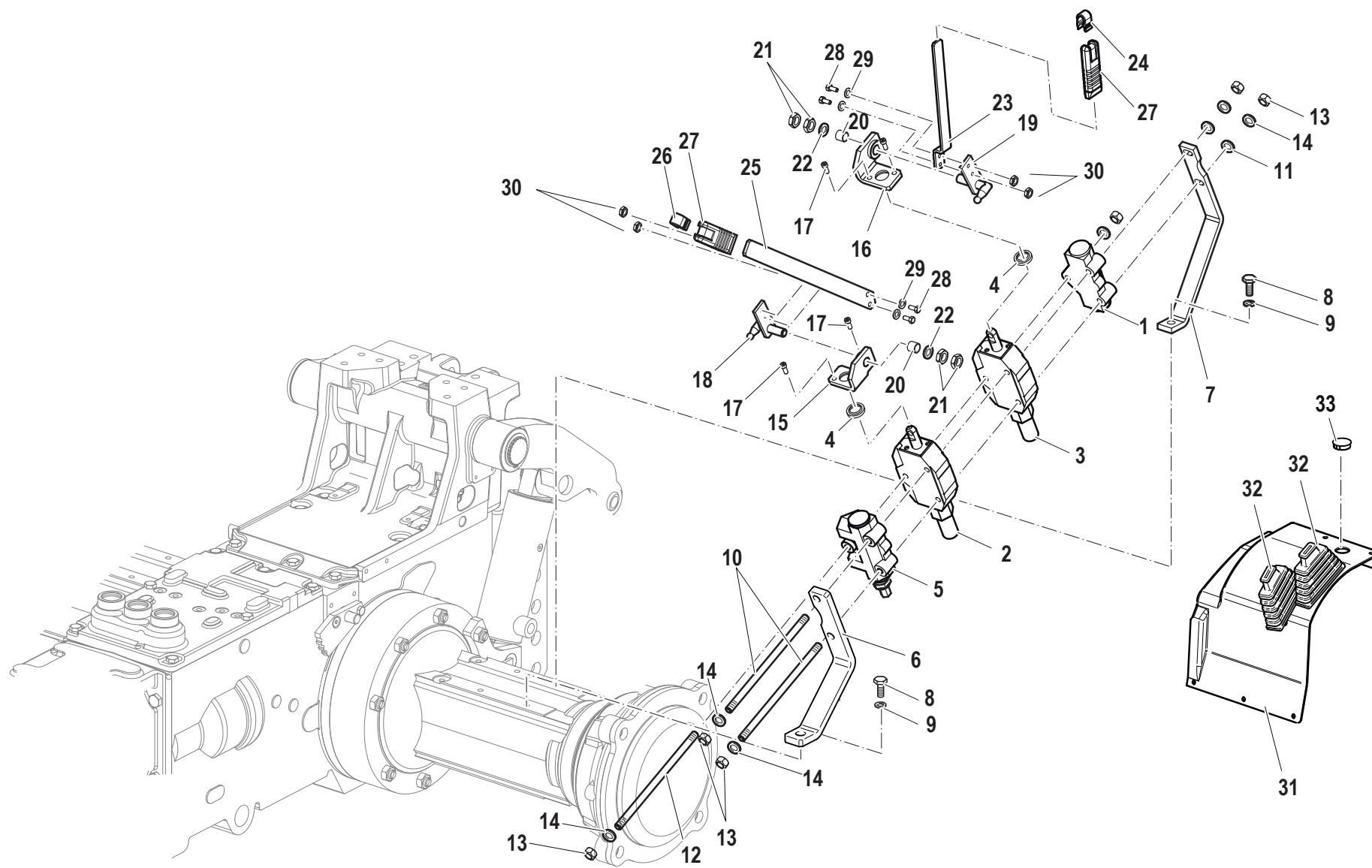
Pos.	Code	Q.ty	Description	Notes
3	30000244	1	PIPE FITTING	
8	31111151	2	SCREW TE M8X16 UNI 5739 8G	
9	31112161	3	SCREW TE M8X50 UNI 5737 8G	
10	31211080	3	NUT M8	
6	56178729	2	COMB	
7	56178730	2	COMB	
24	56370081	1	PLUG	
23	59079095	1	PIPE	
12	59079096	1	PIPE	
13	59079097	1	PIPE	
14	59079098	1	PIPE	
22	59079111	1	PIPE	
2	59079114	1	EXHAUST	
1	59079243	1	PRESSURE PIPE	
16	F0824110000	10	COPPER WASHER 3/8 GAS	
5	F0824141000	2	COPPER WASHER 21x27/1,5	
18	F0825980032	3	COUPLING	
17	F0825981000	3	COUPLING	
15	F0843109020	5	PIPE FITTING	
4	F0843116000	1	PIPE FITTING 1/2	
11	F0843643060	5	WASHER 8	
19	F0852550100	3	PLUG	
20	F0852550200	1	DECAL	
21	F0852550210	2	DECAL	



L.02.05.L70001\_1.ai

Pos.	Code	Q.ty	Description	Notes
3	30000244	1	PIPE FITTING	
8	31111151	2	SCREW TE M8X16 UNI 5739 8G	
9	31112161	3	SCREW TE M8X50 UNI 5737 8G	
10	31211080	3	NUT M8	
6	56178729	2	COMB	
7	56178730	2	COMB	
23	59079095	1	PIPE	
12	59079096	1	PIPE	
13	59079097	1	PIPE	
14	59079098	1	PIPE	
22	59079111	1	PIPE	
2	59079114	1	EXHAUST	
1	59079243	1	PRESSURE PIPE	
16	F0824110000	10	COPPER WASHER 3/8 GAS	
5	F0824141000	2	COPPER WASHER 21x27/1,5	
18	F0825980032	3	COUPLING	
17	F0825981000	3	COUPLING	
15	F0843109020	5	PIPE FITTING	
4	F0843116000	1	PIPE FITTING 1/2	
11	F0843643060	5	WASHER 8	
19	F0852550100	3	PLUG	
20	F0852550200	1	DECAL	
21	F0852550210	2	DECAL	





Pos.	Code	Q.ty	Description	Notes
8	31112219	2	SCREW TE M10X25 UNI 5739	
30	31211050	4	NUT M5	
13	31211080	6	NUT M8	
11	31411084	2	WASHER 8,4x17	
22	31423105	2	SPRING WASHER 10,5	
32	55178581	2	BELLOWS	
6	56178721	1	FIXING BRACKET	
7	56178722	1	FIXING BRACKET	
23	56178948	1	COMMAND LEVER	
25	56178951	1	COMMAND LEVER	
10	56178993	2	ROD	
31	57379027	1	COVER	
12	58172016	1	ROD	
27	58175187	2	KNOB	
24	58175188	1	INSERT	
26	58175211	1	INSERT	
1	58176872	1	HEAD	
5	58176873	1	COVER	
2	58176875	1	D.A. VALVE	
3	58176877	1	D.A. VALVE	
4	58176938	2	GASKET	
33	58177547	1	PLUG	
16	59076262	1	SUPPORT	
18	59076263	1	LEVER	
19	59076264	1	LEVER	
15	59076499	1	SUPPORT	
21	F0814627000	4	NUT M10	
29	F0843561000	4	WASHER 5	
14	F0843643060	6	WASHER 8	
9	F0843755000	2	WASHER 10	
28	F0861929060	4	SCREW M5X12 UNI 5739	
17	P00000005113	4	SCREW M5X12 UNI 5931 8G	
20	P000000309111	2	BUSHING	



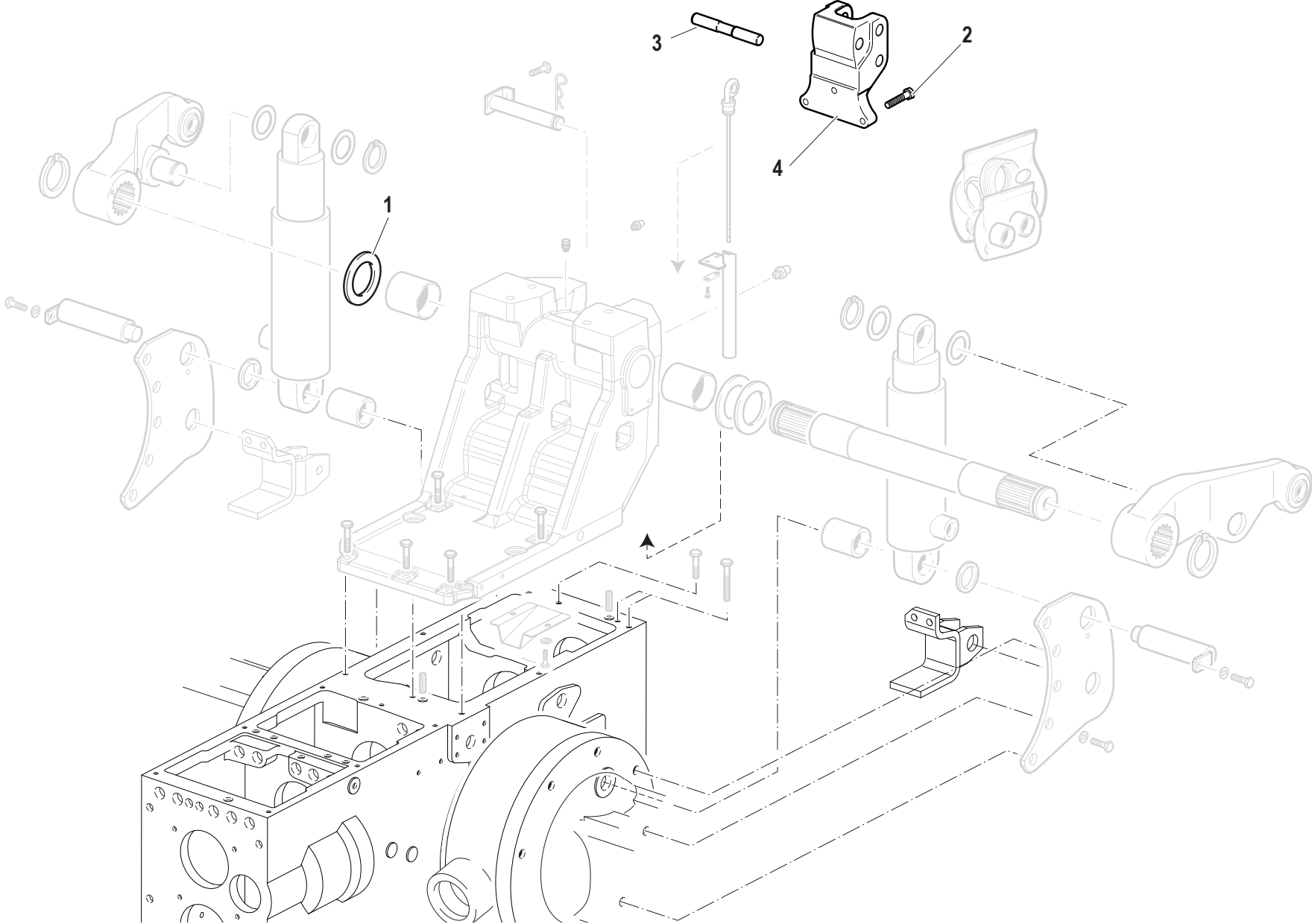
Pos.	Code	Q.ty	Description	Notes
8	31112219	2	SCREW TE M10X25 UNI 5739	
30	31211050	4	NUT M5	
13	31211080	6	NUT M8	
11	31411084	2	WASHER 8,4x17	
22	31423105	2	SPRING WASHER 10,5	
32	55178581	2	BELLOWS	
10	56176997	2	ROD	
6	56178721	1	FIXING BRACKET	
7	56178722	1	FIXING BRACKET	
23	56178948	1	COMMAND LEVER	
25	56178951	1	COMMAND LEVER	
31	57379979	1	COVER	
12	58172016	1	ROD	
27	58175187	2	KNOB	
24	58175188	1	INSERT	
26	58175211	1	INSERT	
1	58176872	1	HEAD	
5	58176873	1	COVER	
2	58176875	1	D.A. VALVE	
3	58176877	1	D.A. VALVE	
4	58176938	2	GASKET	
33	58177547	1	PLUG	
16	59076262	1	SUPPORT	
18	59076263	1	LEVER	
19	59076264	1	LEVER	
15	59076499	1	SUPPORT	
21	F0814627000	4	NUT M10	
29	F0843561000	4	WASHER 5	
14	F0843643060	6	WASHER 8	
9	F0843755000	2	WASHER 10	
28	F0861929060	4	SCREW M5X12 UNI 5739	
17	P00000005113	4	SCREW M5X12 UNI 5931 8G	
20	P000000309111	2	BUSHING	

SERIAL  
START  
**916941**

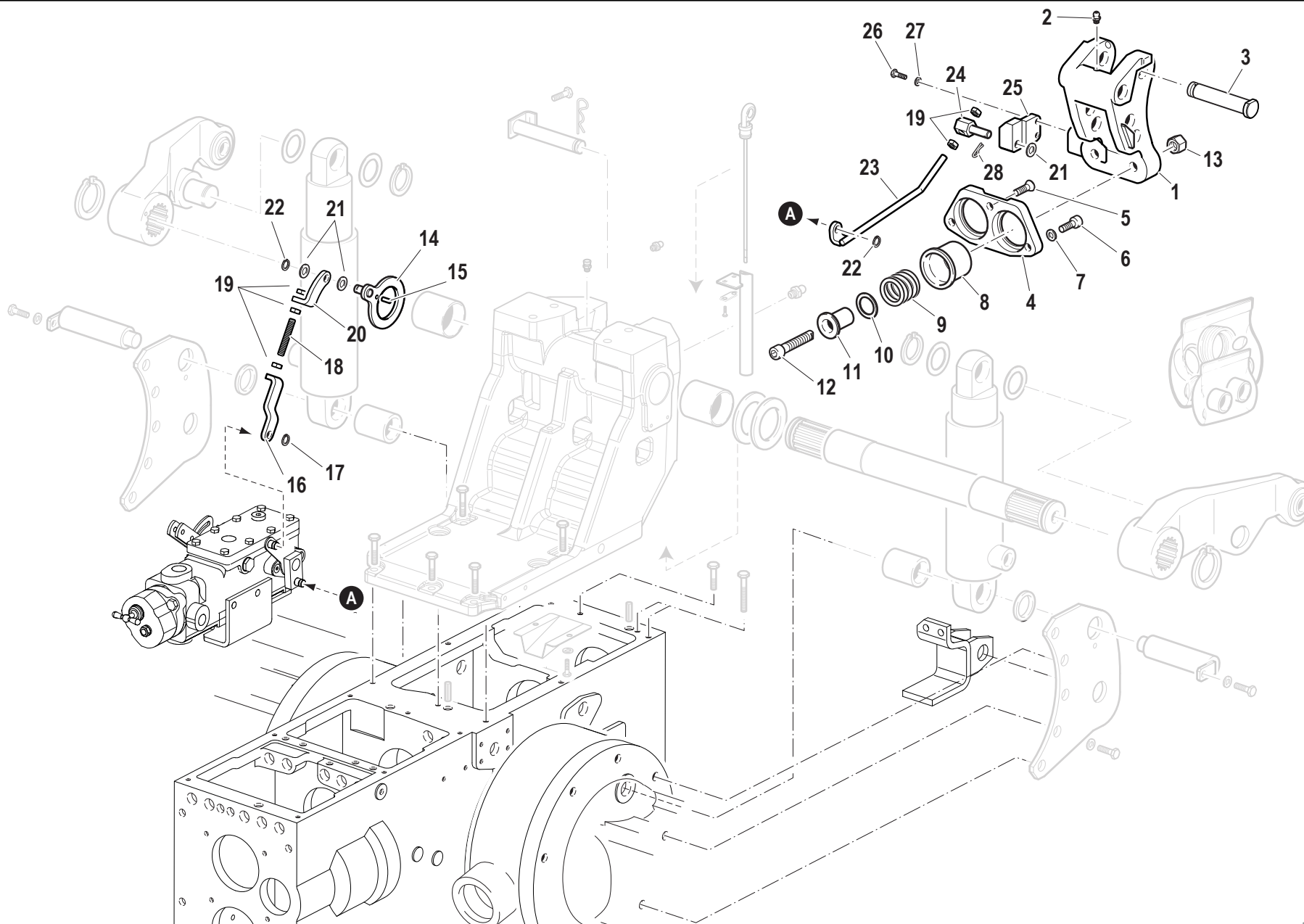
**CONTROL VALVES LEVERS - 1 DOUBLE ACTING +1 DOUBLE ACTING WITH FLOAT  
VERSION**

CODE REV  
**L.02.06.L70001\_1**

RAISE/LOWER LIFT



<b>Pos.</b>	<b>Code</b>	<b>Q.ty</b>	<b>Description</b>	<b>Notes</b>
4	51376275	1	THREE-POINT LINKAGE	
1	56370288	1	SHIM	
3	59078588	1	CONNECTING BOLT	
2	F0863359000	3	SCREW M10X40 UNI 5737	



Pos.	Code	Q.ty	Description	Notes
2	30000005	1	LUBRICATOR M10	
18	31100789	1	SCREW M8x70 UNI 5923 45H ZNT/B	
26	31112093	2	SCREW TE M6X20	
6	31152097	2	SCREW TCEI M10X30 UNI 5931	
13	31241121	2	SELFLOCK NUT M12	
21	31411104	3	WASHER 10,5x18	
28	34110030	1	SPLIT PIN	
22	35211070	2	SEEGER RING	
12	50973415	2	SCREW	
1	51173371	1	THREE-POINT LINKAGE	
8	56073413	2	SLEEVE	
11	56073414	2	GUIDE	
4	56073416	1	FLANGE	
24	56078939	1	HINGE PIN	
10	56373426	1	SHIM	
10	56373427	1	SHIM	
10	56373428	1	SHIM	
3	56373436	1	PIN	
20	56377434	1	BRACKET	
16	56379418	1	BRACKET	
15	56570506	1	PIN	
10	58025869	1	SHIM	
9	58073411	2	SPRING	
25	59075140	1	SMALL BLOCK	
23	59078764	1	ROD	
14	59078769	1	SHIM	
17	F0801050000	1	SEEGER RING	
19	F0814569000	5	NUT	
27	F0843570000	2	WASHER 6	
7	F0843755000	2	WASHER 10	
5	F0863208050	1	SCREW M10X20 UNI 5933	

SERIAL

**DRAFT CONTROL HYDRAULIC LIFT**

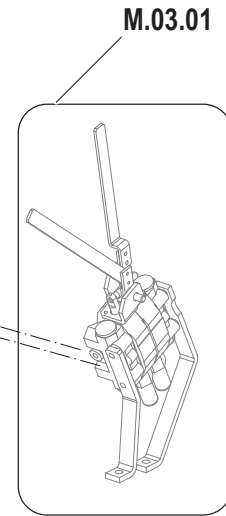
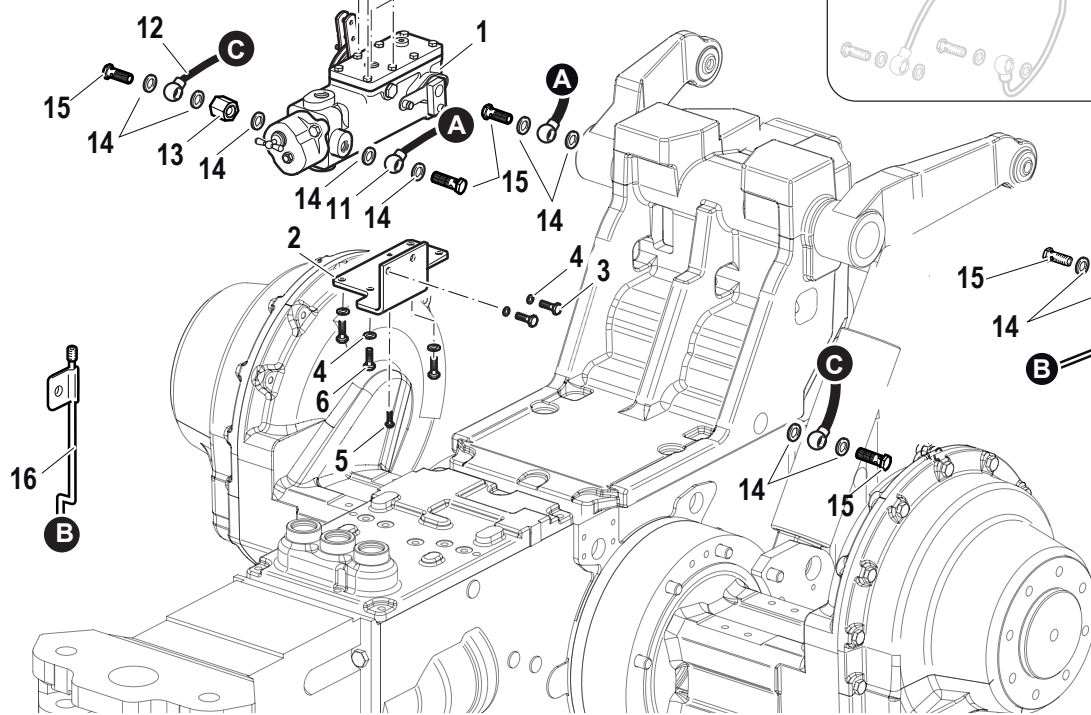
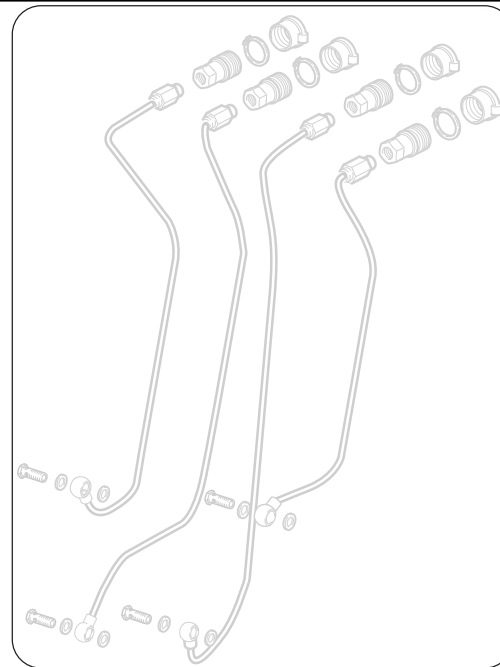
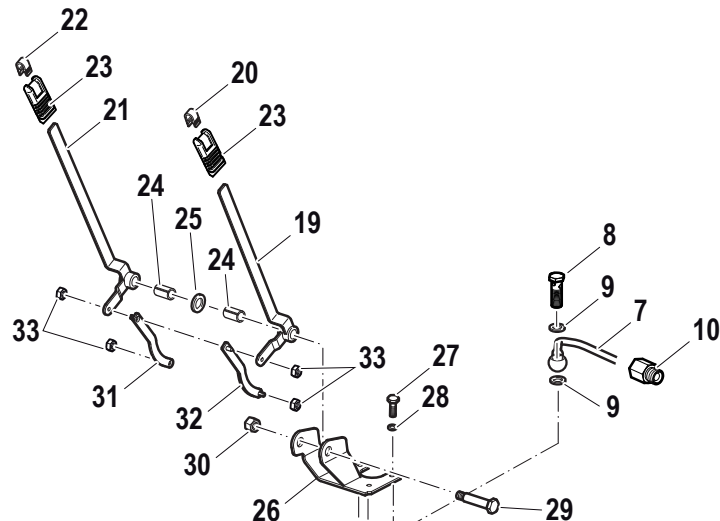
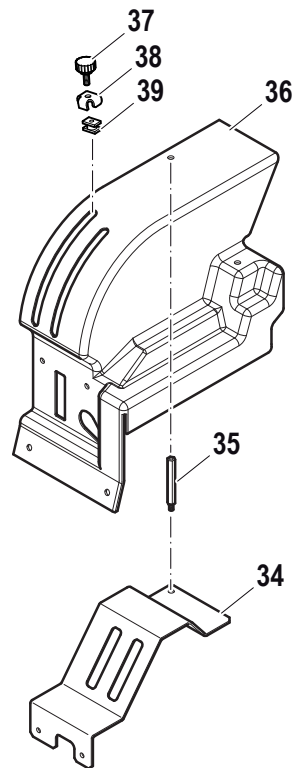
CODE REV

**L.11.02.L70001\_0**



DRAFT CONTROL HYDRAULIC LIFT – RIGHT CONTROL VALVES LEVERS - STD

SERIAL END 916940



Pos.	Code	Q.ty	Description	Notes
13	30000200	1	EXTENSION	
18	30000244	1	PIPE FITTING	
10	30000258	1	PIPE FITTING	
6	31111151	3	SCREW TE M8X16 UNI 5739 8G	
27	31112089	4	SCREW TE M6X25 UNI 5739 8G	
3	31112150	2	SCREW TE M8X20 UNI 5739 8G	
30	31241121	1	SELFLOCK NUT M12	
25	31411150	1	WASHER 15x28	
2	56075161	1	FIXING BRACKET	
38	56075197	1	CLIP	
39	56077760	1	SMALL BLOCK	
29	56178733	1	PIN	
34	56178734	1	CLAMPING PLATE	
35	56178942	1	SPACER	
36	57378699	1	COVER	
12	58077806	1	FLEXIBLE HOSE	
11	58079254	1	FLEXIBLE HOSE	
23	58175187	2	KNOB	
20	58175188	1	INSERT	
22	58175211	1	INSERT	
24	58176268	2	BUSHING	
37	58177761	1	KNOB	
1	58179417	1	DISTRIBUTOR	
21	59078717	1	DISTRIBUTOR LEVER	
19	59078718	1	DISTRIBUTOR LEVER	
32	59078719	1	TRANSMISSION	
26	59078723	1	LEVER BEARING	
7	59078925	1	EXHAUST	
31	59079022	1	TRANSMISSION	
17	59079114	1	EXHAUST	
16	59079243	1	PRESSURE PIPE	
33	F0814547000	4	SELFLOCK NUT M6	
9	F0824110000	6	COPPER WASHER 3/8 GAS	
14	F0824141000	11	COPPER WASHER 21x27/1,5	

SERIAL  
END

916940

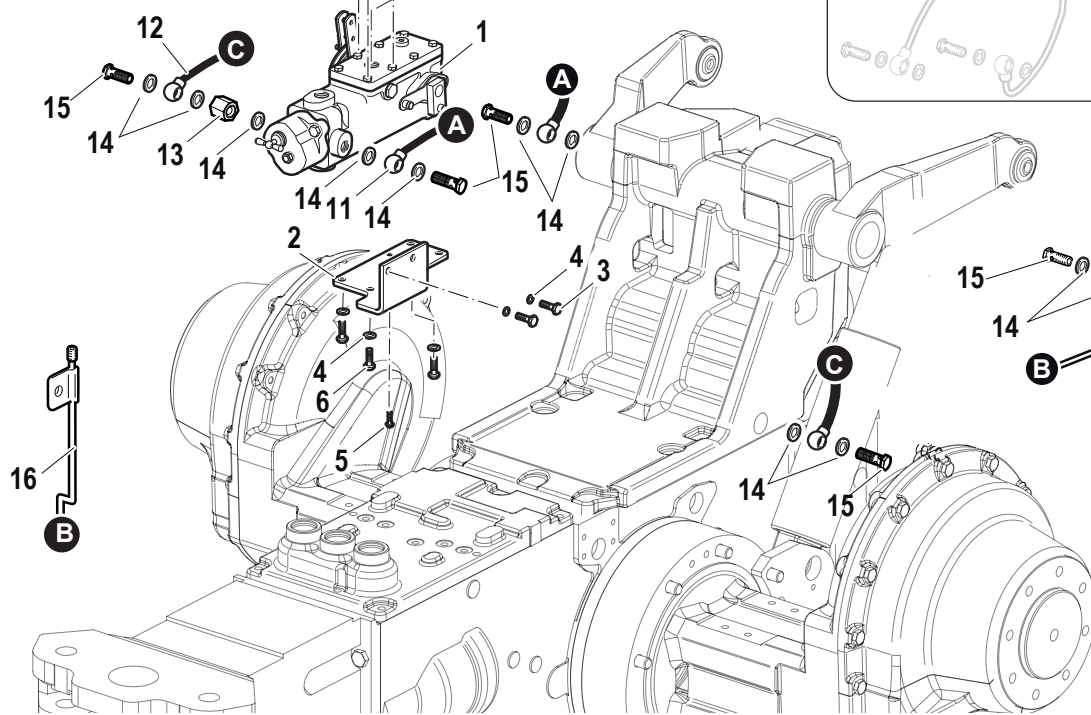
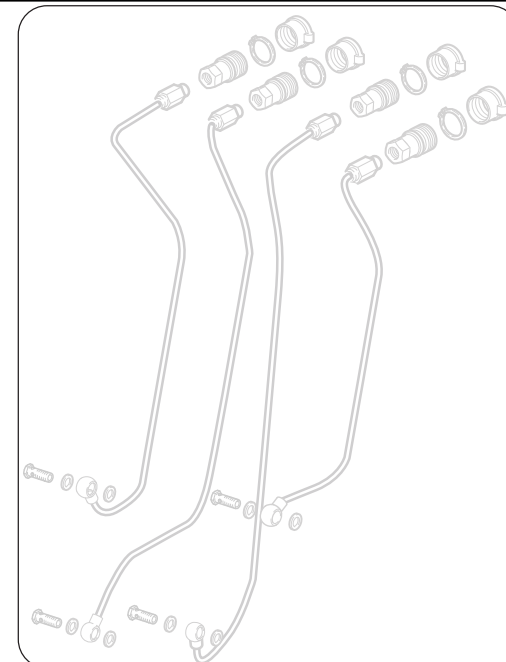
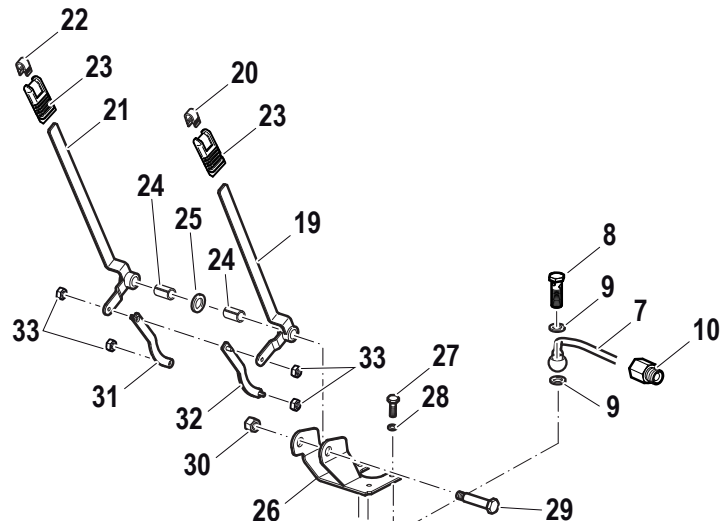
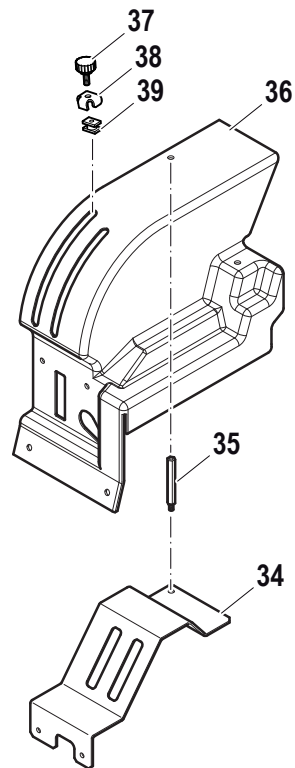
**DRAFT CONTROL HYDRAULIC LIFT – RIGHT CONTROL VALVES LEVERS - STD**

CODE REV

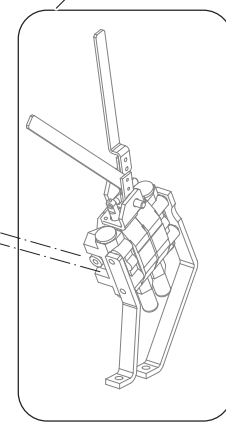
M.02.01.L70001\_0

DRAFT CONTROL HYDRAULIC LIFT – RIGHT CONTROL VALVES LEVERS - STD

SERIAL END 916940



M.03.01



M.02.01.L70001\_0.ai

Pos.	Code	Q.ty	Description	Notes
8	F0843109020	3	PIPE FITTING	
15	F0843116000	5	PIPE FITTING 1/2	
28	F0843570000	4	WASHER 6	
4	F0843643060	5	WASHER 8	
5	F0862481000	1	SCREW M8x16 UNI 5933	

SERIAL  
END

**916940**

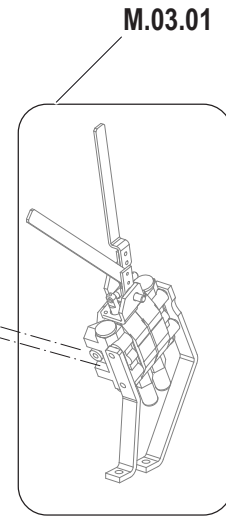
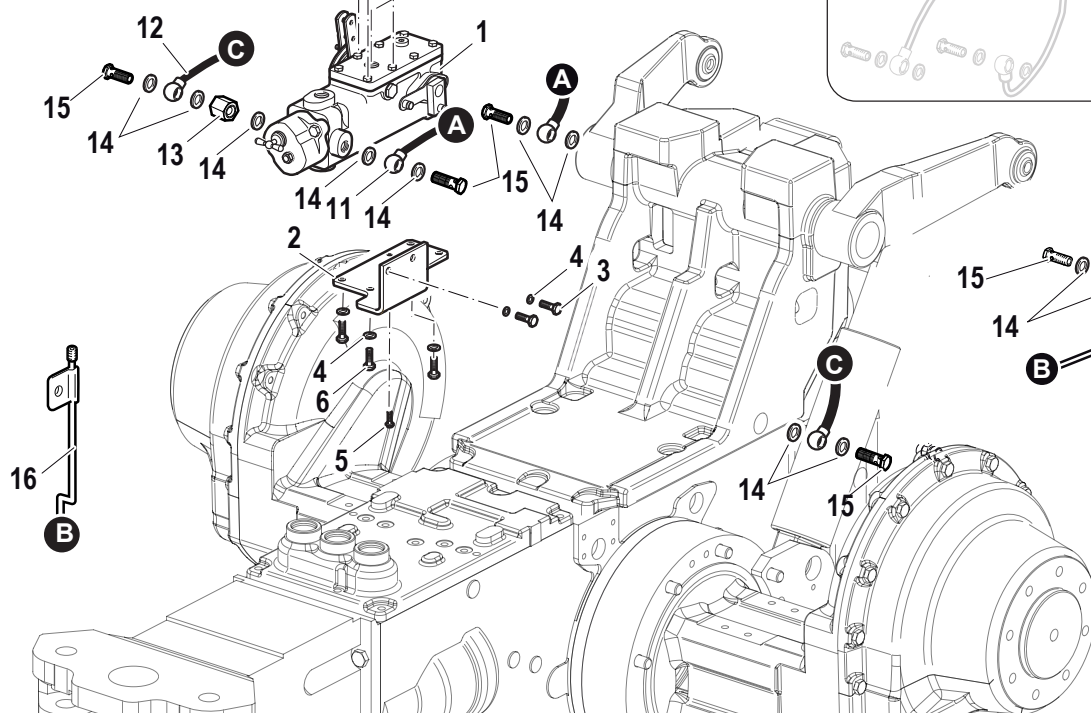
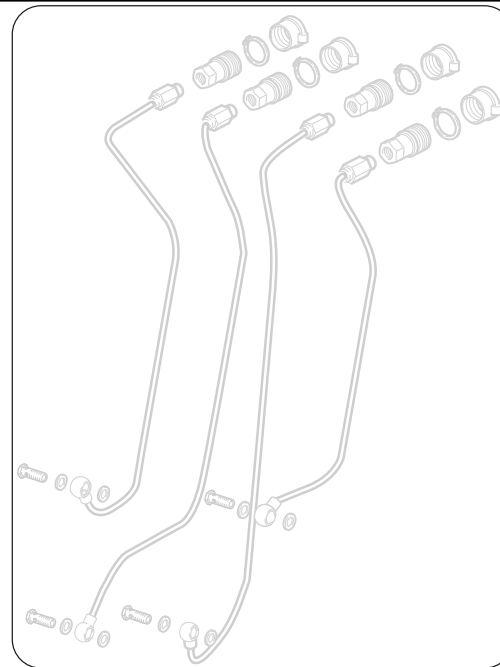
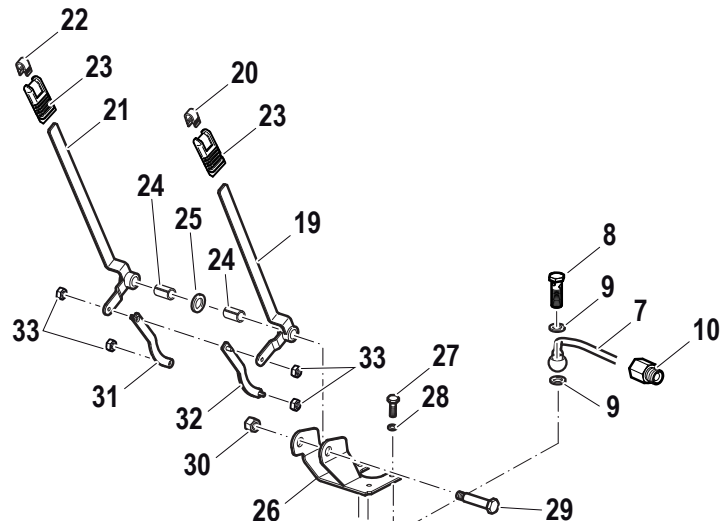
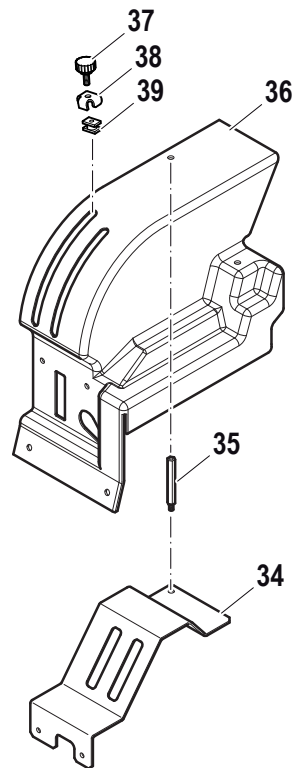
**DRAFT CONTROL HYDRAULIC LIFT – RIGHT CONTROL VALVES LEVERS - STD**

CODE REV

**M.02.01.L70001\_0**

DRAFT CONTROL HYDRAULIC LIFT – RIGHT CONTROL VALVES LEVERS - STD

SERIAL START 916941



Pos.	Code	Q.ty	Description	Notes
13	30000200	1	EXTENSION	
18	30000244	1	PIPE FITTING	
10	30000258	1	PIPE FITTING	
6	31111151	3	SCREW TE M8X16 UNI 5739 8G	
27	31112089	4	SCREW TE M6X25 UNI 5739 8G	
3	31112150	2	SCREW TE M8X20 UNI 5739 8G	
30	31241121	1	SELFLOCK NUT M12	
25	31411150	1	WASHER 15x28	
2	56075161	1	FIXING BRACKET	
38	56075197	1	CLIP	
39	56077760	1	SMALL BLOCK	
29	56178733	1	PIN	
34	56178734	1	CLAMPING PLATE	
35	56178942	1	SPACER	
36	57379975	1	COVER	
12	58077806	1	FLEXIBLE HOSE	
11	58079254	1	FLEXIBLE HOSE	
23	58175187	2	KNOB	
20	58175188	1	INSERT	
22	58175211	1	INSERT	
24	58176268	2	BUSHING	
37	58177761	1	KNOB	
1	58179417	1	DISTRIBUTOR	
21	59078717	1	DISTRIBUTOR LEVER	
19	59078718	1	DISTRIBUTOR LEVER	
32	59078719	1	TRANSMISSION	
26	59078723	1	LEVER BEARING	
7	59078925	1	EXHAUST	
31	59079022	1	TRANSMISSION	
17	59079114	1	EXHAUST	
16	59079243	1	PRESSURE PIPE	
33	F0814547000	4	SELFLOCK NUT M6	
9	F0824110000	6	COPPER WASHER 3/8 GAS	
14	F0824141000	11	COPPER WASHER 21x27/1,5	

SERIAL  
START  
**916941**

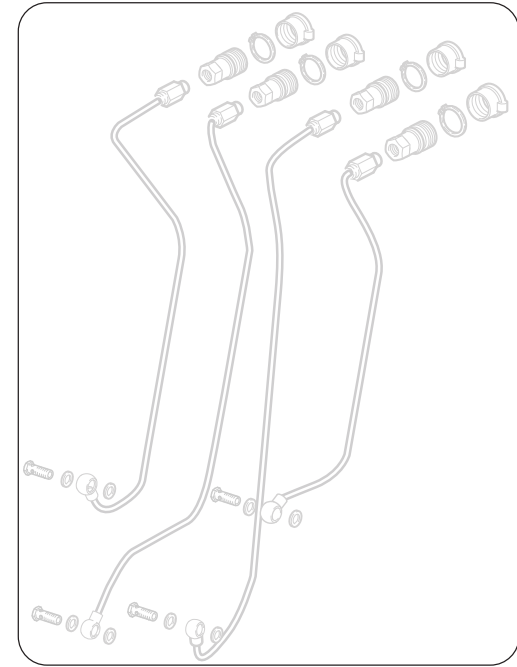
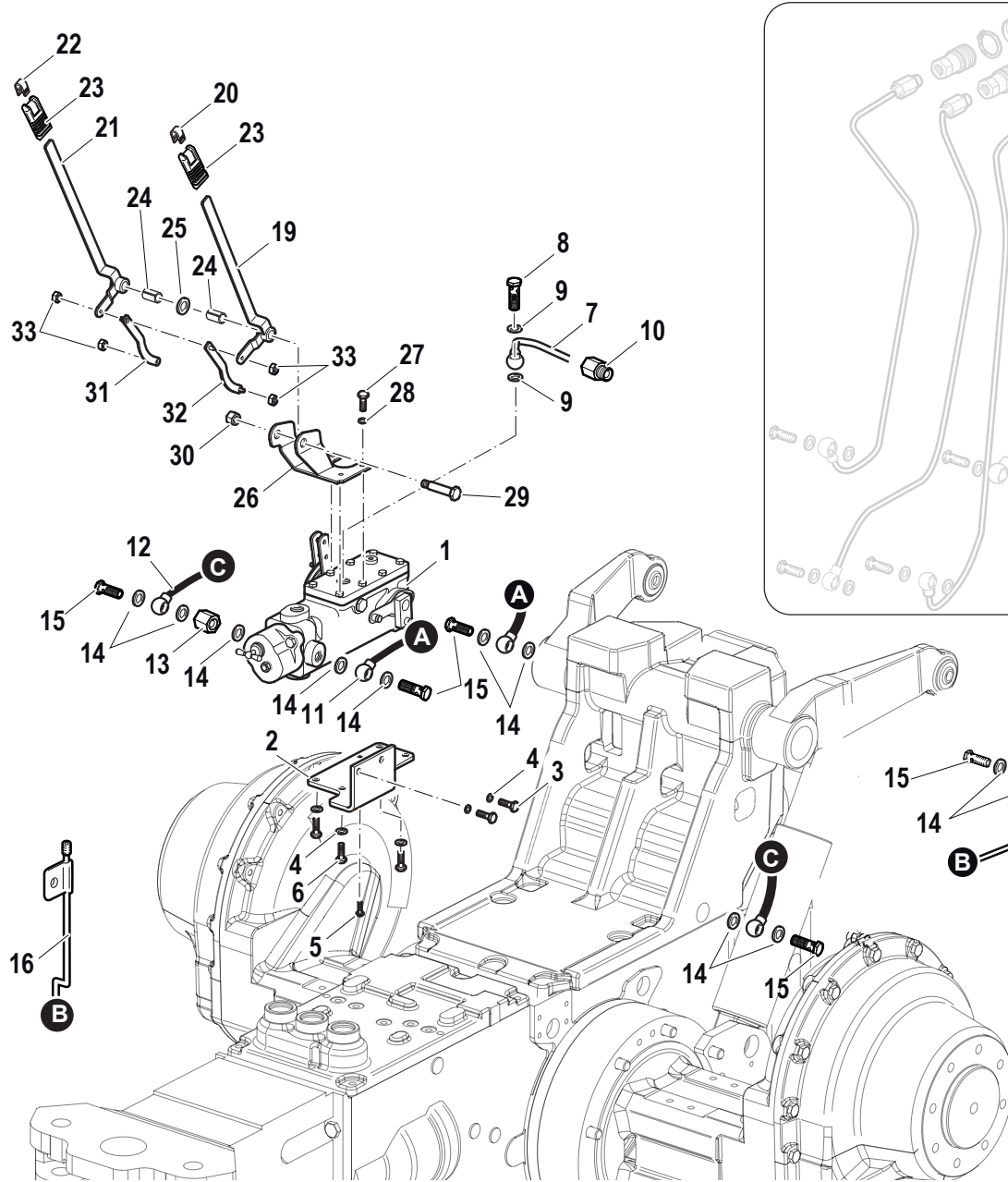
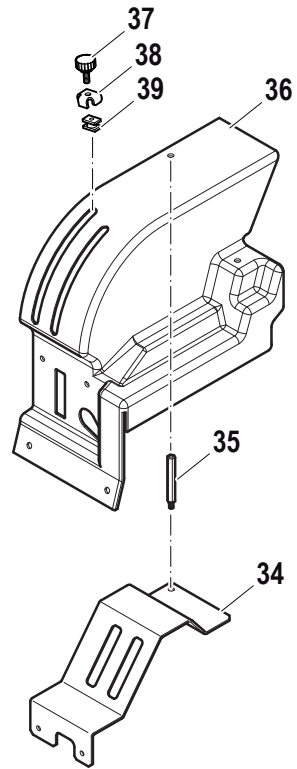
**DRAFT CONTROL HYDRAULIC LIFT – RIGHT CONTROL VALVES LEVERS - STD**

CODE REV

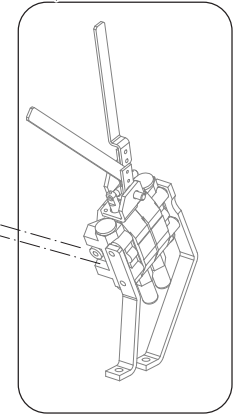
**M.02.01.L70001\_1**

DRAFT CONTROL HYDRAULIC LIFT – RIGHT CONTROL VALVES LEVERS - STD

SERIAL START 916941



M.12...



M.03.01

M.02.01.L70001\_1.ai

Pos.	Code	Q.ty	Description	Notes
8	F0843109020	3	PIPE FITTING	
15	F0843116000	5	PIPE FITTING 1/2	
28	F0843570000	4	WASHER 6	
4	F0843643060	5	WASHER 8	
5	F0862481000	1	SCREW M8x16 UNI 5933	

SERIAL  
START  
**916941**

**DRAFT CONTROL HYDRAULIC LIFT – RIGHT CONTROL VALVES LEVERS - STD**

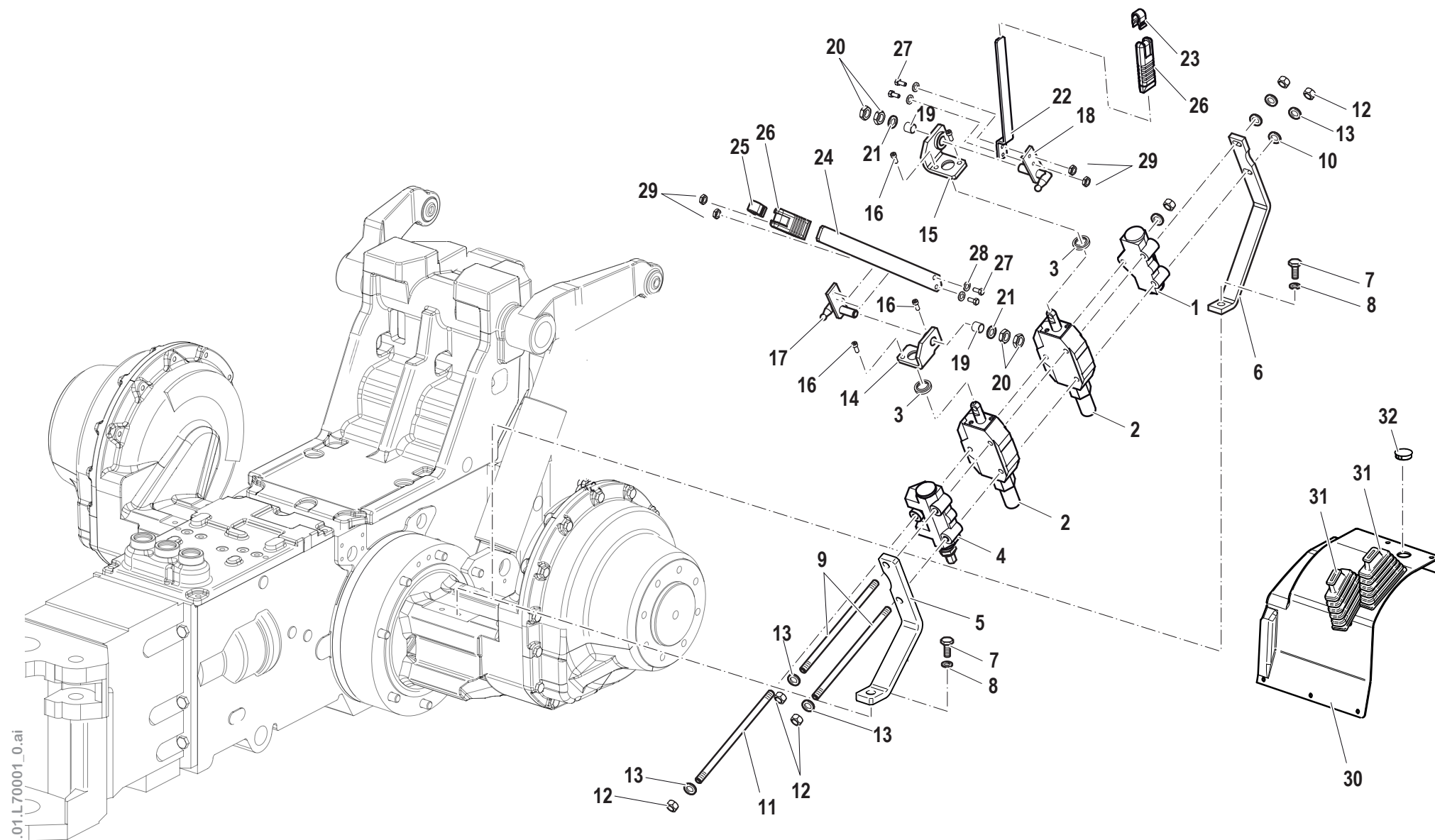
CODE REV  
**M.02.01.L70001\_1**



# DRAFT CONTROL HYDRAULIC LIFT – LEFT CONTROL VALVES LEVERS - STD

SERIAL END 916940

M.03.01.L70001\_0



M.03.01.L70001\_0.ai

Pos.	Code	Q.ty	Description	Notes
7	31112219	2	SCREW TE M10X25 UNI 5739	
29	31211050	4	NUT M5	
12	31211080	9	NUT M8	
10	31411084	2	WASHER 8,4x17	
21	31423105	2	SPRING WASHER 10,5	
31	55178581	4	BELLOWS	
5	56178721	1	FIXING BRACKET	
6	56178722	1	FIXING BRACKET	
22	56178948	1	COMMAND LEVER	
24	56178951	1	COMMAND LEVER	
9	56178993	2	ROD	
30	57379027	1	COVER	
11	58172016	1	ROD	
26	58175187	2	KNOB	
23	58175188	1	INSERT	
25	58175211	1	INSERT	
1	58176872	1	HEAD	
4	58176873	1	COVER	
2	58176876	2	D.A. VALVE	
3	58176938	2	GASKET	
32	58177547	1	PLUG	
14	59076261	1	SUPPORT	
15	59076262	1	SUPPORT	
17	59076263	1	LEVER	
18	59076264	1	LEVER	
20	F0814627000	4	NUT M10	
28	F0843561000	4	WASHER 5	
13	F0843643060	11	WASHER 8	
8	F0843755000	2	WASHER 10	
27	F0861929060	4	SCREW M5X12 UNI 5739	
16	P000000005113	4	SCREW M5X12 UNI 5931 8G	
19	P000000309111	2	BUSHING	

SERIAL  
END

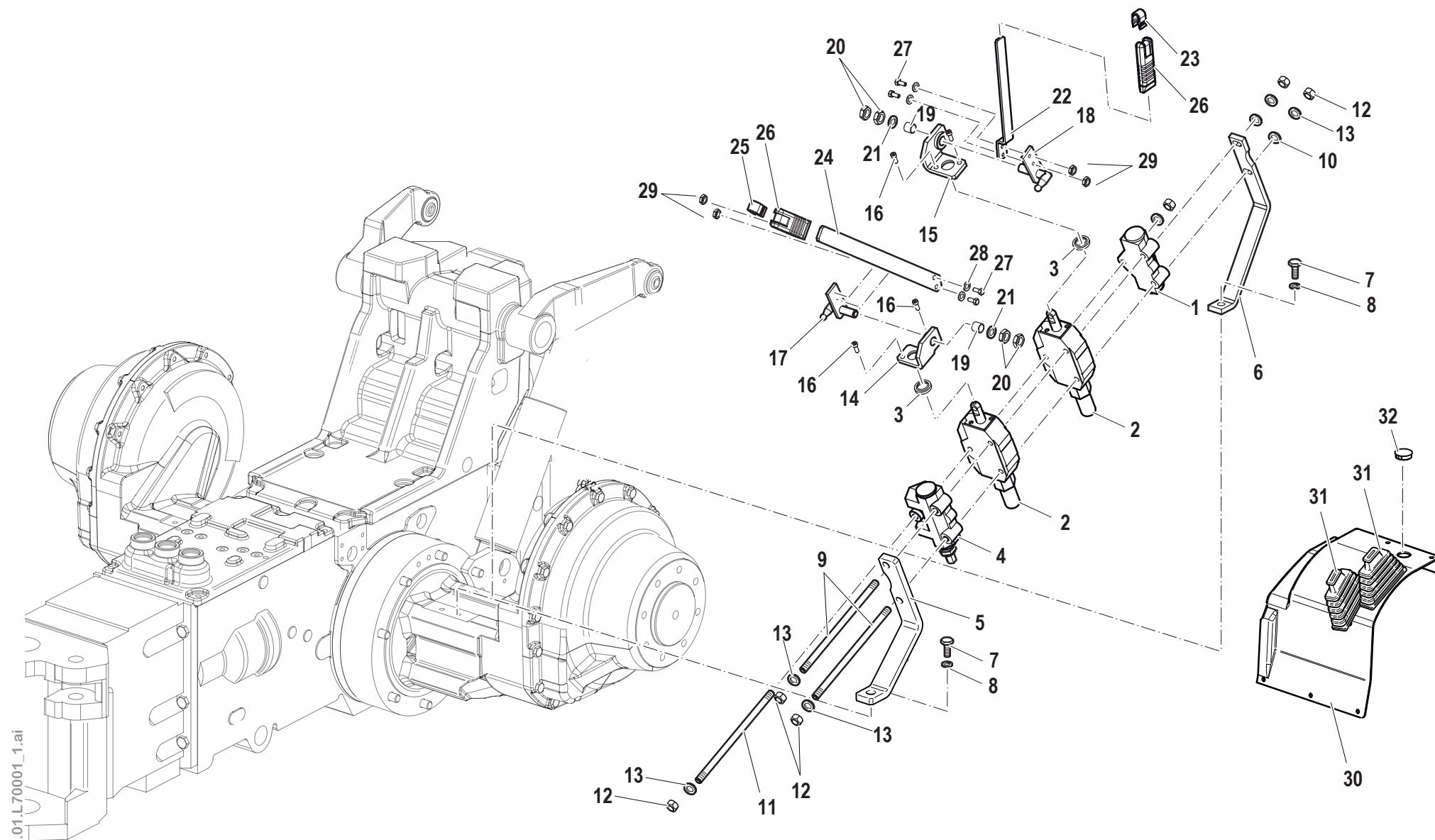
916940

**DRAFT CONTROL HYDRAULIC LIFT – LEFT CONTROL VALVES LEVERS - STD**

CODE REV

M.03.01.L70001\_0

# DRAFT CONTROL HYDRAULIC LIFT – LEFT CONTROL VALVES LEVERS - STD



Pos.	Code	Q.ty	Description	Notes
7	31112219	2	SCREW TE M10X25 UNI 5739	
29	31211050	4	NUT M5	
12	31211080	9	NUT M8	
10	31411084	2	WASHER 8,4x17	
21	31423105	2	SPRING WASHER 10,5	
31	55178581	4	BELLOWS	
9	56176997	2	ROD	
5	56178721	1	FIXING BRACKET	
6	56178722	1	FIXING BRACKET	
22	56178948	1	COMMAND LEVER	
24	56178951	1	COMMAND LEVER	
30	57379979	1	COVER	
11	58172016	1	ROD	
26	58175187	2	KNOB	
23	58175188	1	INSERT	
25	58175211	1	INSERT	
1	58176872	1	HEAD	
4	58176873	1	COVER	
2	58176875	2	D.A. VALVE	
3	58176938	2	GASKET	
32	58177547	1	PLUG	
14	59076261	1	SUPPORT	
15	59076262	1	SUPPORT	
17	59076263	1	LEVER	
18	59076264	1	LEVER	
20	F0814627000	4	NUT M10	
28	F0843561000	4	WASHER 5	
13	F0843643060	11	WASHER 8	
8	F0843755000	2	WASHER 10	
27	F0861929060	4	SCREW M5X12 UNI 5739	
16	P000000005113	4	SCREW M5X12 UNI 5931 8G	
19	P000000309111	2	BUSHING	

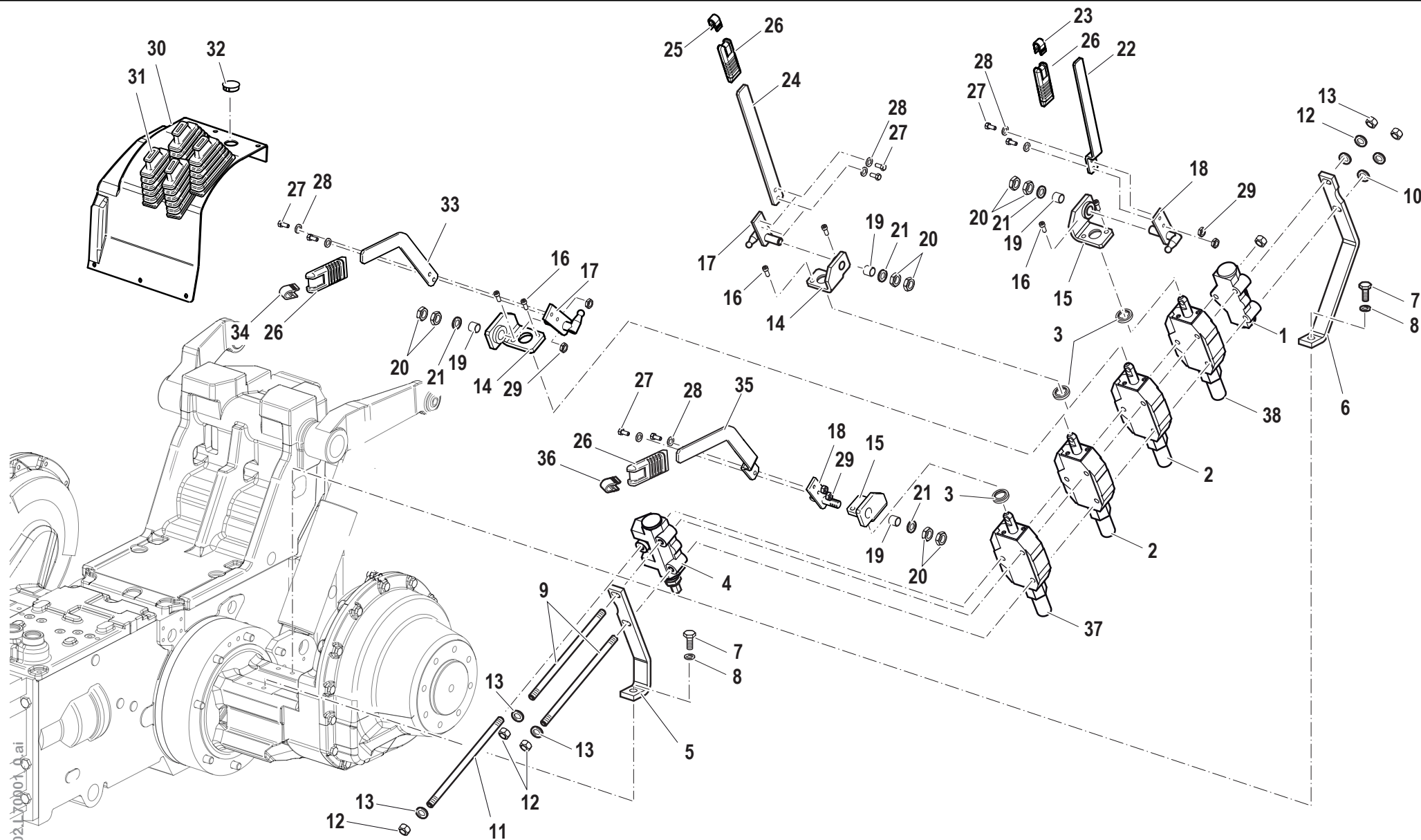
SERIAL  
START  
**916941**

**DRAFT CONTROL HYDRAULIC LIFT – LEFT CONTROL VALVES LEVERS - STD**

CODE REV

**M.03.01.L70001\_1**

# DRAFT CONTROL HYDRAULIC LIFT – LEFT CONTROL VALVES LEVERS - 1 DOUBLE ACTING +1 SIMPLE ACTING WITH LOCKABLE DELIVERY POSITION VERSION



Pos.	Code	Q.ty	Description	Notes
7	31112219	2	SCREW TE M10X25 UNI 5739	
29	31211050	8	NUT M5	
12	31211080	9	NUT M8	
10	31411084	2	WASHER 8,4x17	
21	31423105	4	SPRING WASHER 10,5	
31	55178581	2	BELLOWS	
9	56176890	2	ROD	
5	56178720	1	FIXING BRACKET	
6	56178722	1	FIXING BRACKET	
33	56178947	1	COMMAND LEVER	
22	56178948	1	COMMAND LEVER	
35	56178950	1	COMMAND LEVER	
24	56178951	1	COMMAND LEVER	
30	57378698	1	COVER	
11	58172018	1	ROD	
26	58175187	4	KNOB	
23	58175188	1	INSERT	
25	58175211	1	INSERT	
36	58176866	1	INSERT	
34	58176867	1	INSERT	
1	58176872	1	HEAD	
4	58176873	1	COVER	
38	58176874	1	S.A. VALVE	
37	58176875	1	D.A. VALVE	
2	58176876	2	D.A. VALVE	
3	58176938	4	GASKET	
32	58177547	1	PLUG	
14	59076261	2	SUPPORT	
15	59076262	2	SUPPORT	
17	59076263	2	LEVER	
18	59076264	2	LEVER	
20	F0814627000	8	NUT M10	
28	F0843561000	8	WASHER 5	
13	F0843643060	11	WASHER 8	

SERIAL  
END  
916940

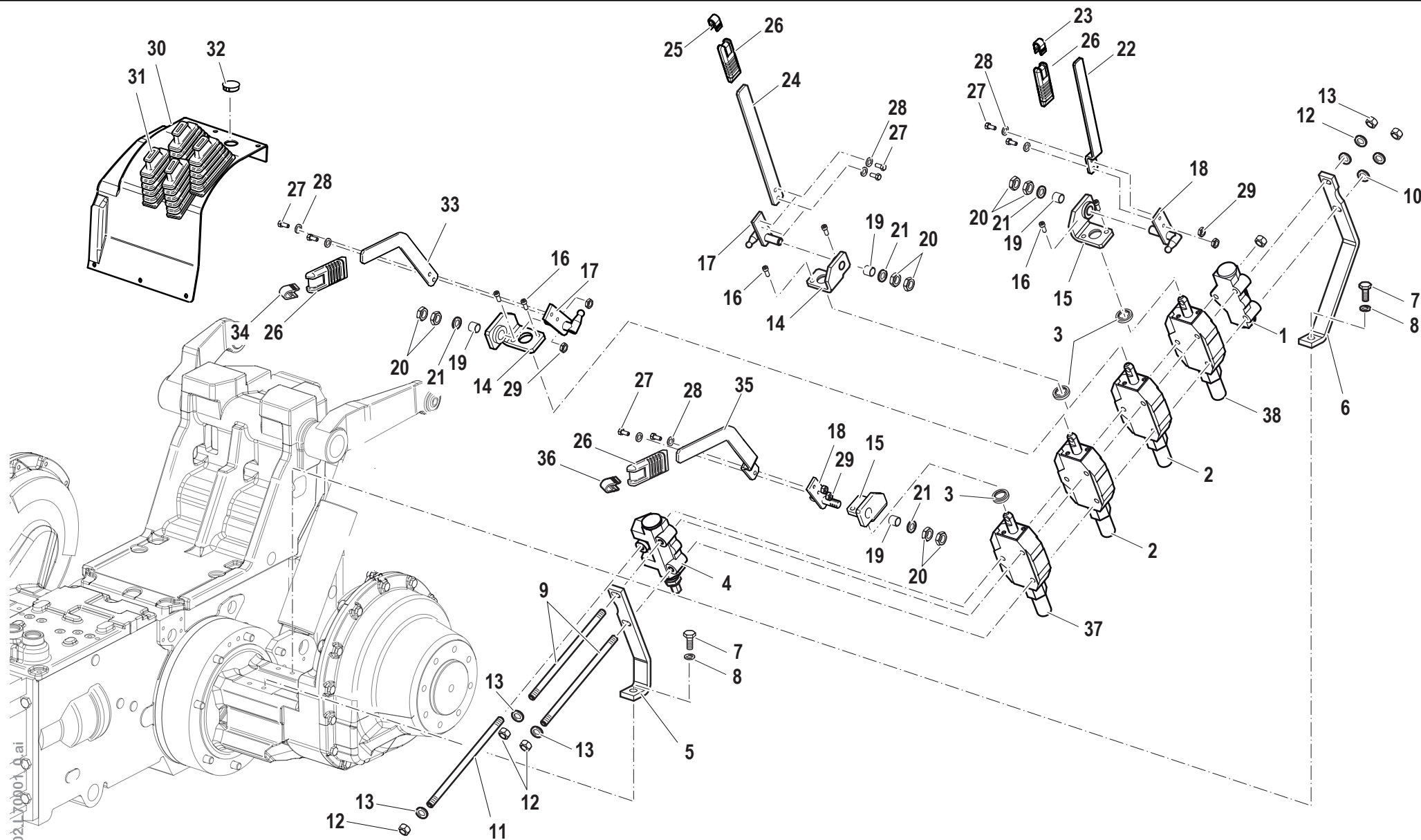
**DRAFT CONTROL HYDRAULIC LIFT – LEFT CONTROL VALVES LEVERS - 1 DOUBLE  
ACTING +1 SIMPLE ACTING WITH LOCKABLE DELIVERY POSITION VERSION**

CODE REV  
M.03.02.L70001\_0

# DRAFT CONTROL HYDRAULIC LIFT – LEFT CONTROL VALVES LEVERS - 1 DOUBLE ACTING +1 SIMPLE ACTING WITH LOCKABLE DELIVERY POSITION VERSION

SERIAL END 916940

M.03.02.L70001\_0



M.03.02.L70001\_0.ai

Pos.	Code	Q.ty	Description	Notes
8	F0843755000	2	WASHER 10	
27	F0861929060	8	SCREW M5X12 UNI 5739	
16	P000000005113	8	SCREW M5X12 UNI 5931 8G	
19	P000000309111	4	BUSHING	

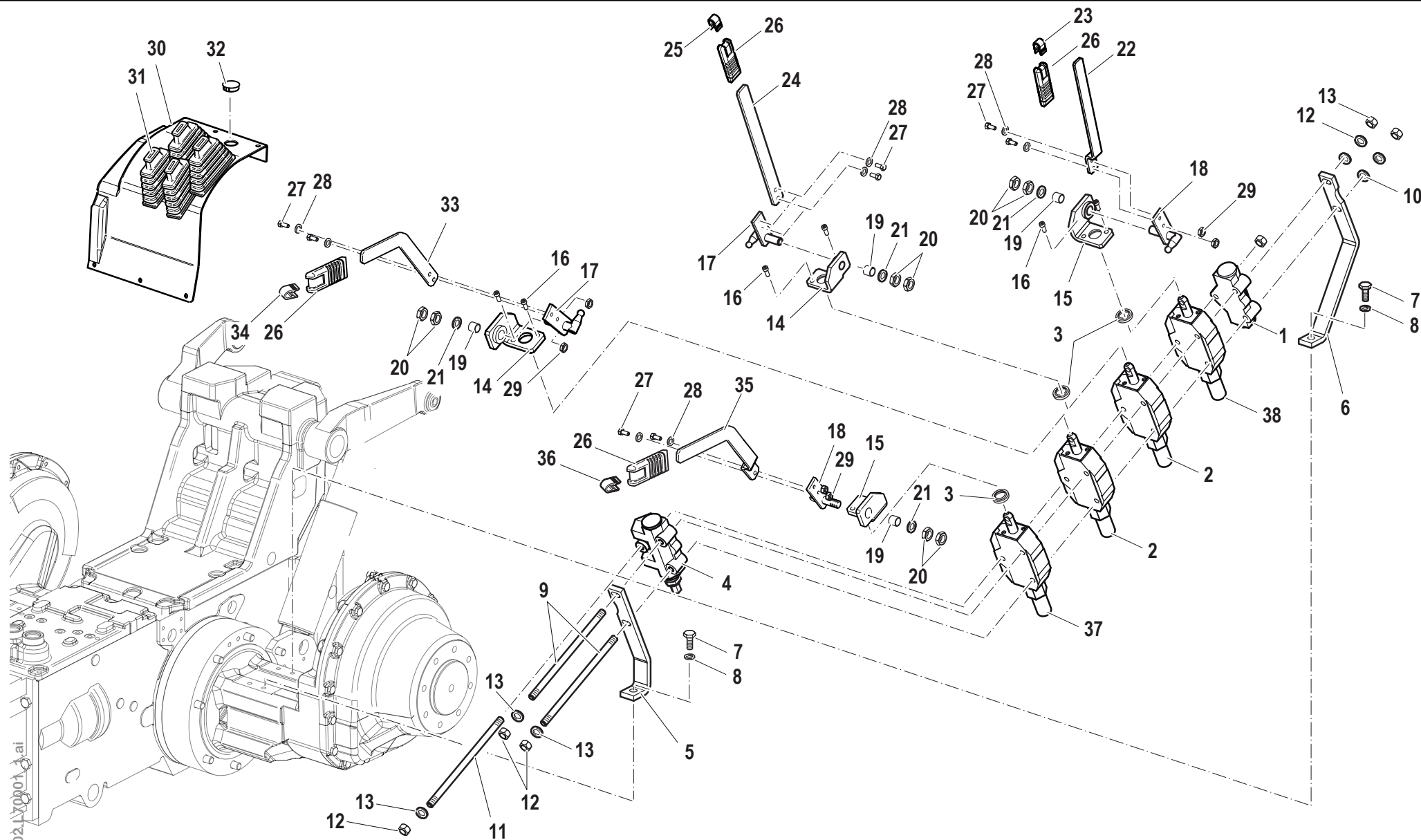
SERIAL  
END  
**916940**

**DRAFT CONTROL HYDRAULIC LIFT – LEFT CONTROL VALVES LEVERS - 1 DOUBLE  
ACTING +1 SIMPLE ACTING WITH LOCKABLE DELIVERY POSITION VERSION**

CODE REV  
**M.03.02.L70001\_0**



# DRAFT CONTROL HYDRAULIC LIFT – LEFT CONTROL VALVES LEVERS - 1 DOUBLE ACTING +1 SIMPLE ACTING WITH LOCKABLE DELIVERY POSITION VERSION



Pos.	Code	Q.ty	Description	Notes
7	31112219	2	SCREW TE M10X25 UNI 5739	
29	31211050	8	NUT M5	
12	31211080	9	NUT M8	
10	31411084	2	WASHER 8,4x17	
21	31423105	4	SPRING WASHER 10,5	
31	55178581	2	BELLOWS	
9	56176890	2	ROD	
5	56178720	1	FIXING BRACKET	
6	56178722	1	FIXING BRACKET	
33	56178947	1	COMMAND LEVER	
22	56178948	1	COMMAND LEVER	
35	56178950	1	COMMAND LEVER	
24	56178951	1	COMMAND LEVER	
30	57379979	1	COVER	
11	58172018	1	ROD	
26	58175187	4	KNOB	
23	58175188	1	INSERT	
25	58175211	1	INSERT	
36	58176866	1	INSERT	
34	58176867	1	INSERT	
1	58176872	1	HEAD	
4	58176873	1	COVER	
38	58176874	1	S.A. VALVE	
2	58176875	2	D.A. VALVE	
3	58176938	4	GASKET	
32	58177547	1	PLUG	
14	59076261	2	SUPPORT	
15	59076262	2	SUPPORT	
17	59076263	2	LEVER	
18	59076264	2	LEVER	
20	F0814627000	8	NUT M10	
28	F0843561000	8	WASHER 5	
13	F0843643060	11	WASHER 8	
8	F0843755000	2	WASHER 10	

SERIAL  
START  
916941

**DRAFT CONTROL HYDRAULIC LIFT – LEFT CONTROL VALVES LEVERS - 1 DOUBLE  
ACTING +1 SIMPLE ACTING WITH LOCKABLE DELIVERY POSITION VERSION**

CODE REV  
M.03.02.L70001\_1



Pos.	Code	Q.ty	Description	Notes
27	F0861929060	8	SCREW M5X12 UNI 5739	
16	P00000005113	8	SCREW M5X12 UNI 5931 8G	
19	P000000309111	4	BUSHING	

SERIAL  
START  
**916941**

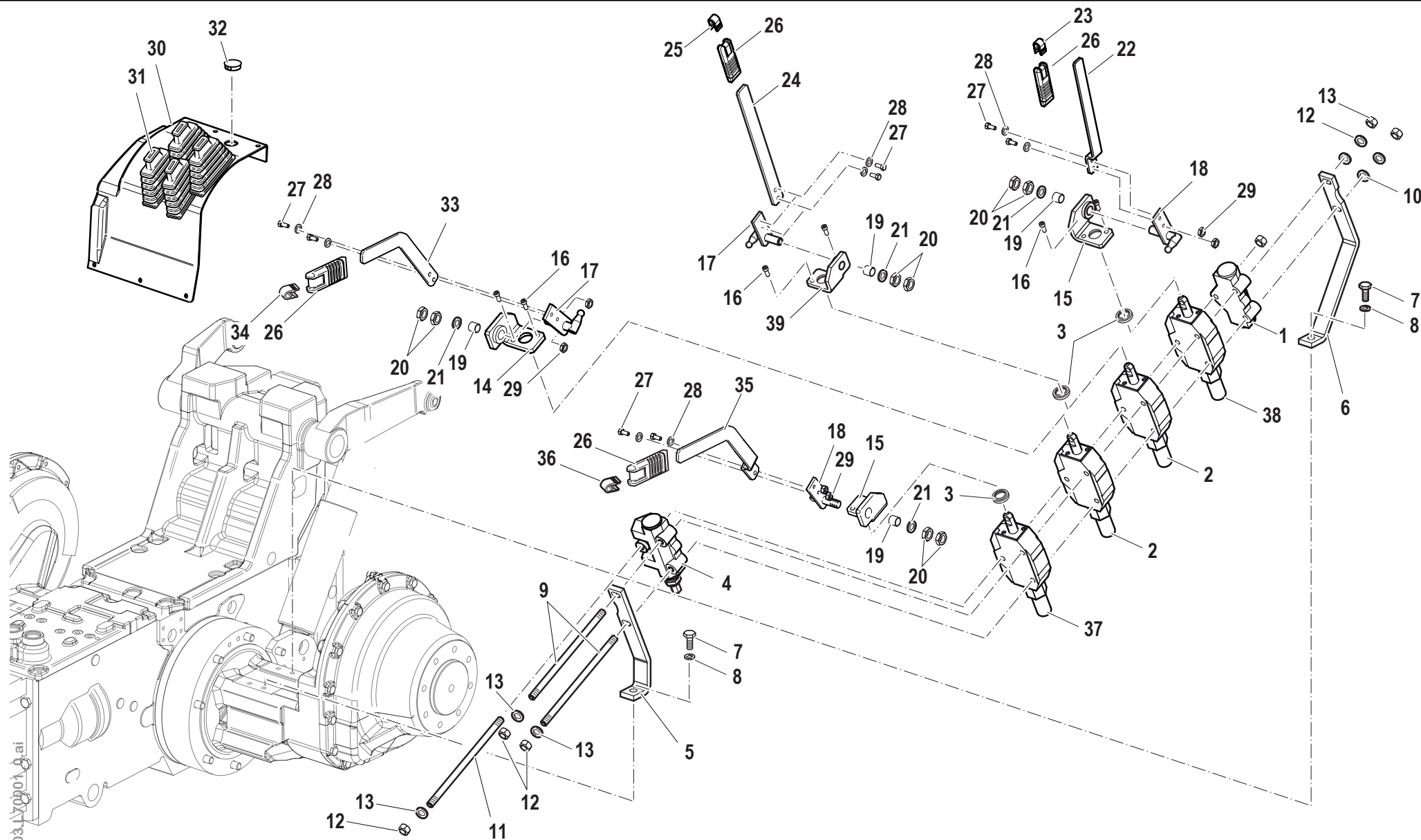
**DRAFT CONTROL HYDRAULIC LIFT – LEFT CONTROL VALVES LEVERS - 1 DOUBLE  
ACTING +1 SIMPLE ACTING WITH LOCKABLE DELIVERY POSITION VERSION**

CODE REV  
**M.03.02.L70001\_1**

# DRAFT CONTROL HYDRAULIC LIFT – LEFT CONTROL VALVES LEVERS - 1 DOUBLE ACTING +1 DOUBLE ACTING WITH FLOAT VERSION

SERIAL END 916940

M.03.03.L70001\_0



M.03.03.L70001\_0.ai

Pos.	Code	Q.ty	Description	Notes
7	31112219	2	SCREW TE M10X25 UNI 5739	
29	31211050	8	NUT M5	
12	31211080	9	NUT M8	
10	31411084	2	WASHER 8,4x17	
21	31423105	4	SPRING WASHER 10,5	
31	55178581	2	BELLOWS	
9	56176890	2	ROD	
5	56178720	1	FIXING BRACKET	
6	56178722	1	FIXING BRACKET	
33	56178947	1	COMMAND LEVER	
22	56178948	1	COMMAND LEVER	
35	56178950	1	COMMAND LEVER	
24	56178951	1	COMMAND LEVER	
30	57378698	1	COVER	
11	58172018	1	ROD	
26	58175187	4	KNOB	
23	58175188	1	INSERT	
25	58175211	1	INSERT	
36	58176866	1	INSERT	
34	58176867	1	INSERT	
1	58176872	1	HEAD	
4	58176873	1	COVER	
37	58176875	1	D.A. VALVE	
2	58176876	2	D.A. VALVE	
38	58176877	1	D.A. VALVE	
3	58176938	4	GASKET	
32	58177547	1	PLUG	
14	59076261	1	SUPPORT	
15	59076262	2	SUPPORT	
17	59076263	2	LEVER	
18	59076264	2	LEVER	
39	59076499	1	SUPPORT	
20	F0814627000	8	NUT M10	
28	F0843561000	8	WASHER 5	

SERIAL  
END  
**916940**

**DRAFT CONTROL HYDRAULIC LIFT – LEFT CONTROL VALVES LEVERS - 1 DOUBLE  
ACTING +1 DOUBLE ACTING WITH FLOAT VERSION**

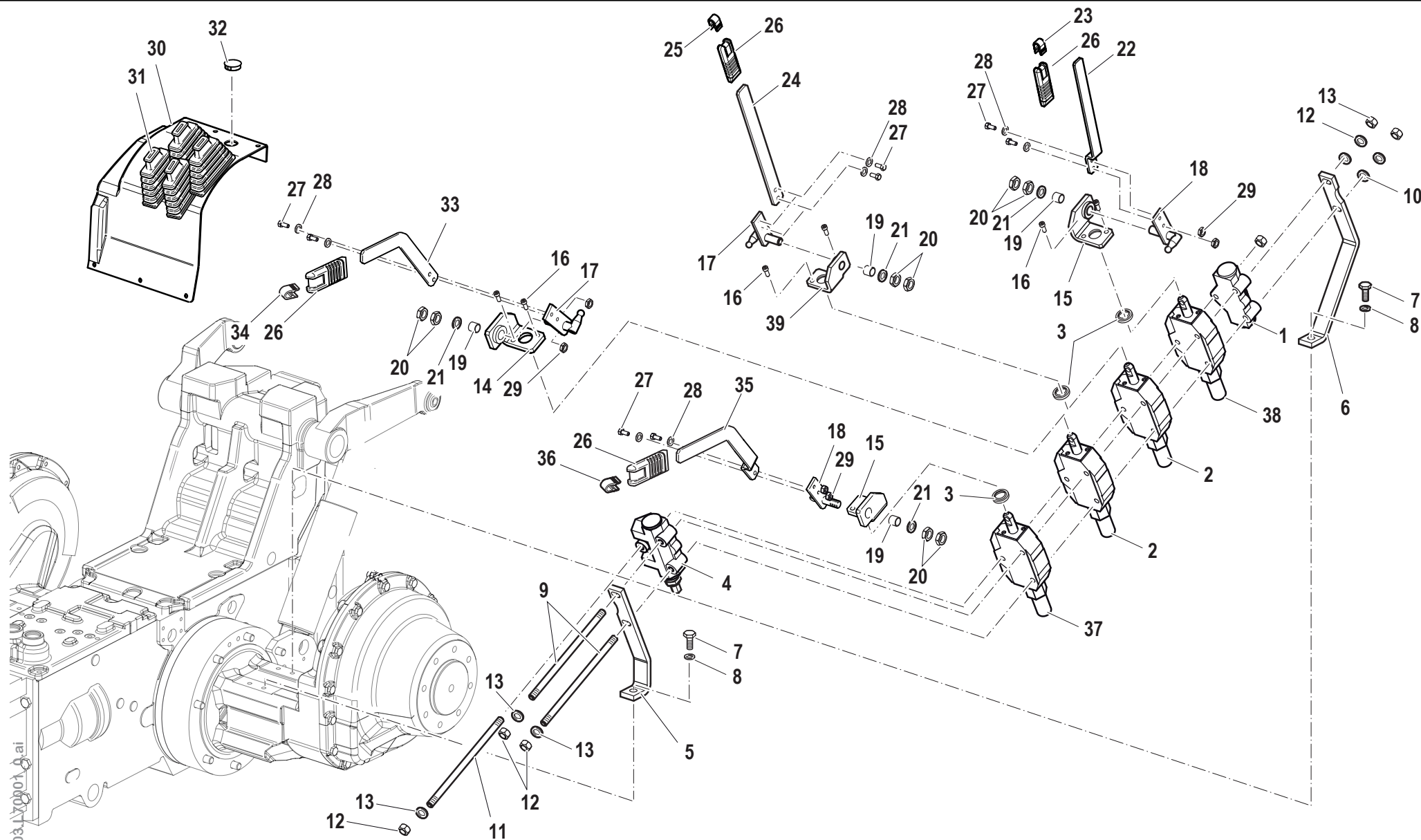
CODE REV

**M.03.03.L70001\_0**

# DRAFT CONTROL HYDRAULIC LIFT – LEFT CONTROL VALVES LEVERS - 1 DOUBLE ACTING +1 DOUBLE ACTING WITH FLOAT VERSION

SERIAL END 916940

M.03.03.L70001\_0



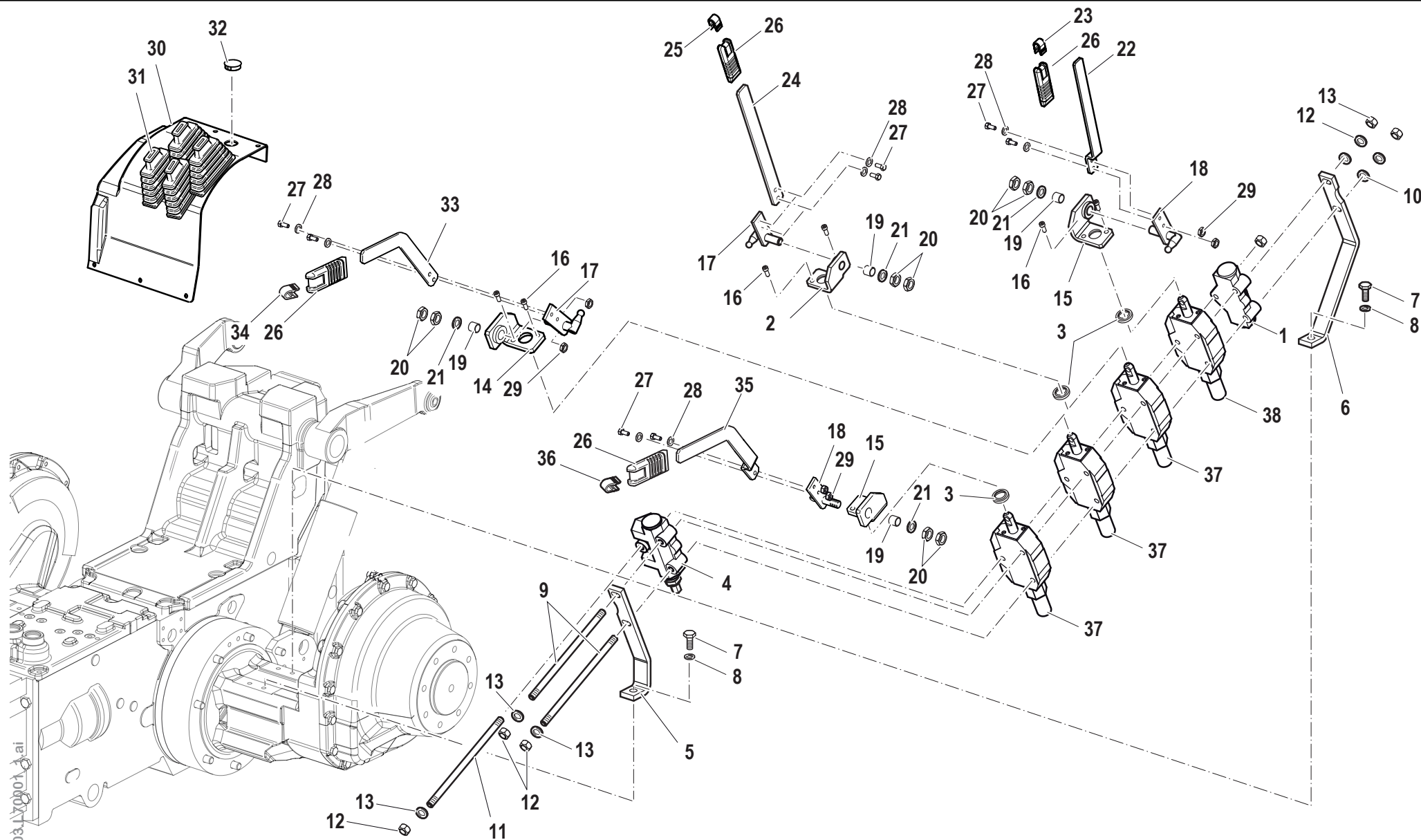
Pos.	Code	Q.ty	Description	Notes
13	F0843643060	11	WASHER 8	
8	F0843755000	2	WASHER 10	
27	F0861929060	8	SCREW M5X12 UNI 5739	
16	P000000005113	8	SCREW M5X12 UNI 5931 8G	
19	P000000309111	4	BUSHING	



# DRAFT CONTROL HYDRAULIC LIFT – LEFT CONTROL VALVES LEVERS - 1 DOUBLE ACTING +1 DOUBLE ACTING WITH FLOAT VERSION

SERIAL START 916941

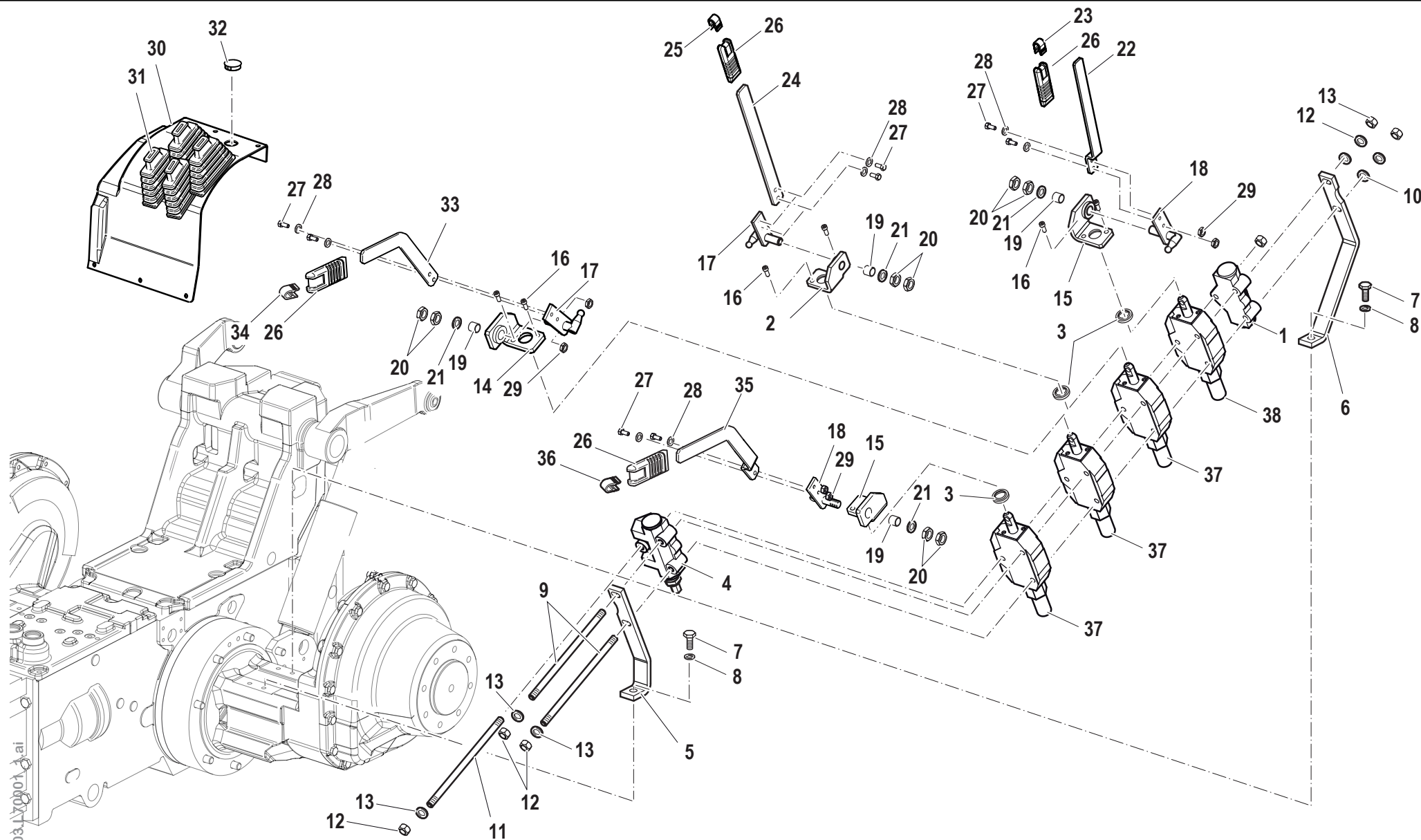
M.03.03.L70001\_1



M.03.03.L70001\_1.dwg

Pos.	Code	Q.ty	Description	Notes
7	31112219	2	SCREW TE M10X25 UNI 5739	
29	31211050	8	NUT M5	
12	31211080	9	NUT M8	
10	31411084	2	WASHER 8,4x17	
21	31423105	4	SPRING WASHER 10,5	
31	55178581	2	BELLOWS	
9	56176890	2	ROD	
5	56178720	1	FIXING BRACKET	
6	56178722	1	FIXING BRACKET	
33	56178947	1	COMMAND LEVER	
22	56178948	1	COMMAND LEVER	
35	56178950	1	COMMAND LEVER	
24	56178951	1	COMMAND LEVER	
30	57379974	1	COVER	
11	58172018	1	ROD	
26	58175187	4	KNOB	
23	58175188	1	INSERT	
25	58175211	1	INSERT	
36	58176866	1	INSERT	
34	58176867	1	INSERT	
1	58176872	1	HEAD	
4	58176873	1	COVER	
37	58176875	3	D.A. VALVE	
38	58176877	1	D.A. VALVE	
3	58176938	4	GASKET	
32	58177547	1	PLUG	
14	59076261	1	SUPPORT	
15	59076262	2	SUPPORT	
17	59076263	2	LEVER	
18	59076264	2	LEVER	
2	59076499	1	SUPPORT	
20	F0814627000	8	NUT M10	
28	F0843561000	8	WASHER 5	
13	F0843643060	11	WASHER 8	

# DRAFT CONTROL HYDRAULIC LIFT – LEFT CONTROL VALVES LEVERS - 1 DOUBLE ACTING +1 DOUBLE ACTING WITH FLOAT VERSION

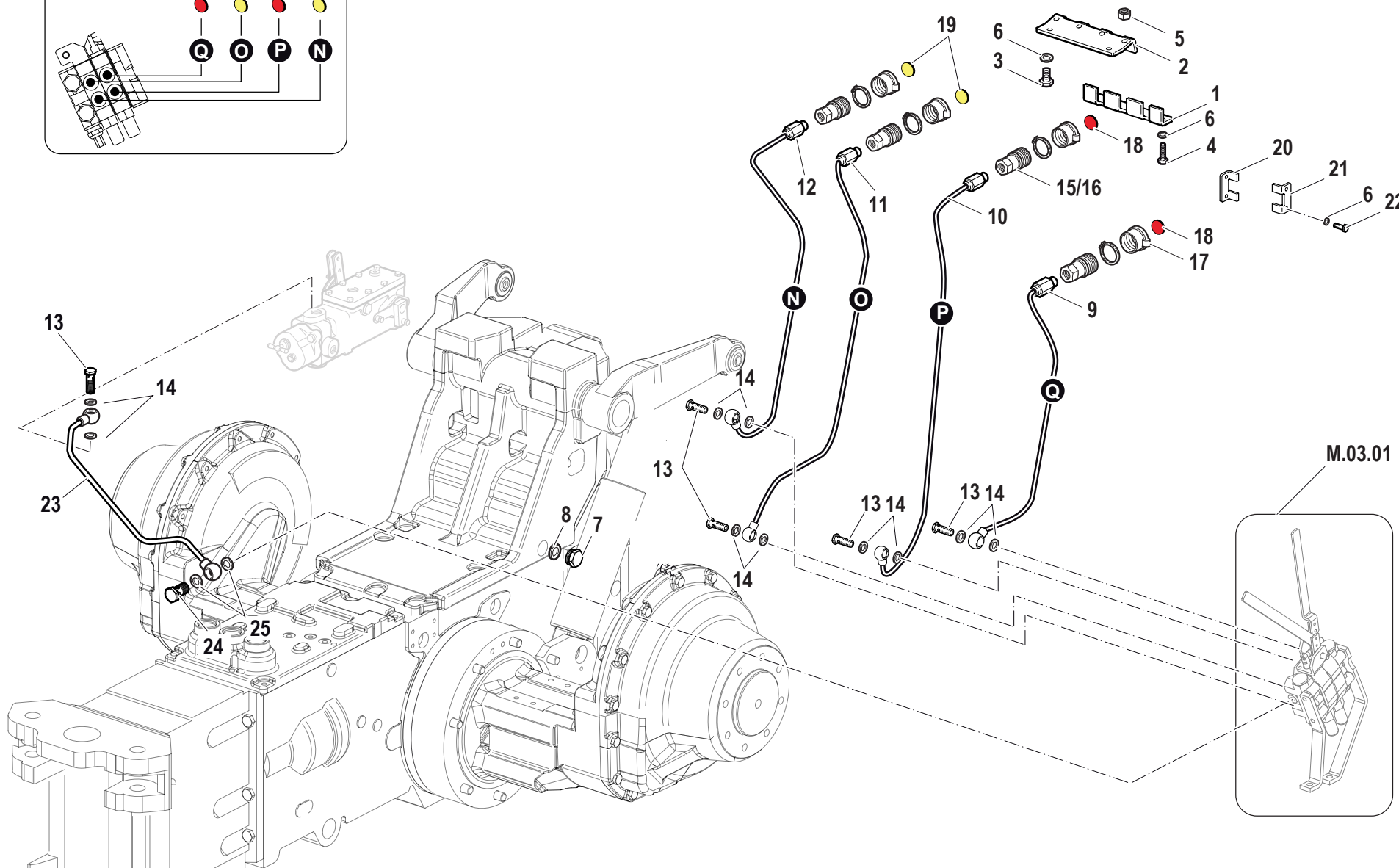
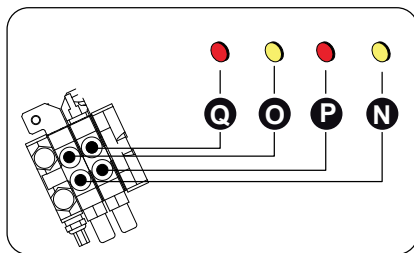


Pos.	Code	Q.ty	Description	Notes
8	F0843755000	2	WASHER 10	
27	F0861929060	8	SCREW M5X12 UNI 5739	
16	P000000005113	8	SCREW M5X12 UNI 5931 8G	
19	P000000309111	4	BUSHING	

SERIAL  
START  
**916941**

**DRAFT CONTROL HYDRAULIC LIFT – LEFT CONTROL VALVES LEVERS - 1 DOUBLE  
ACTING +1 DOUBLE ACTING WITH FLOAT VERSION**

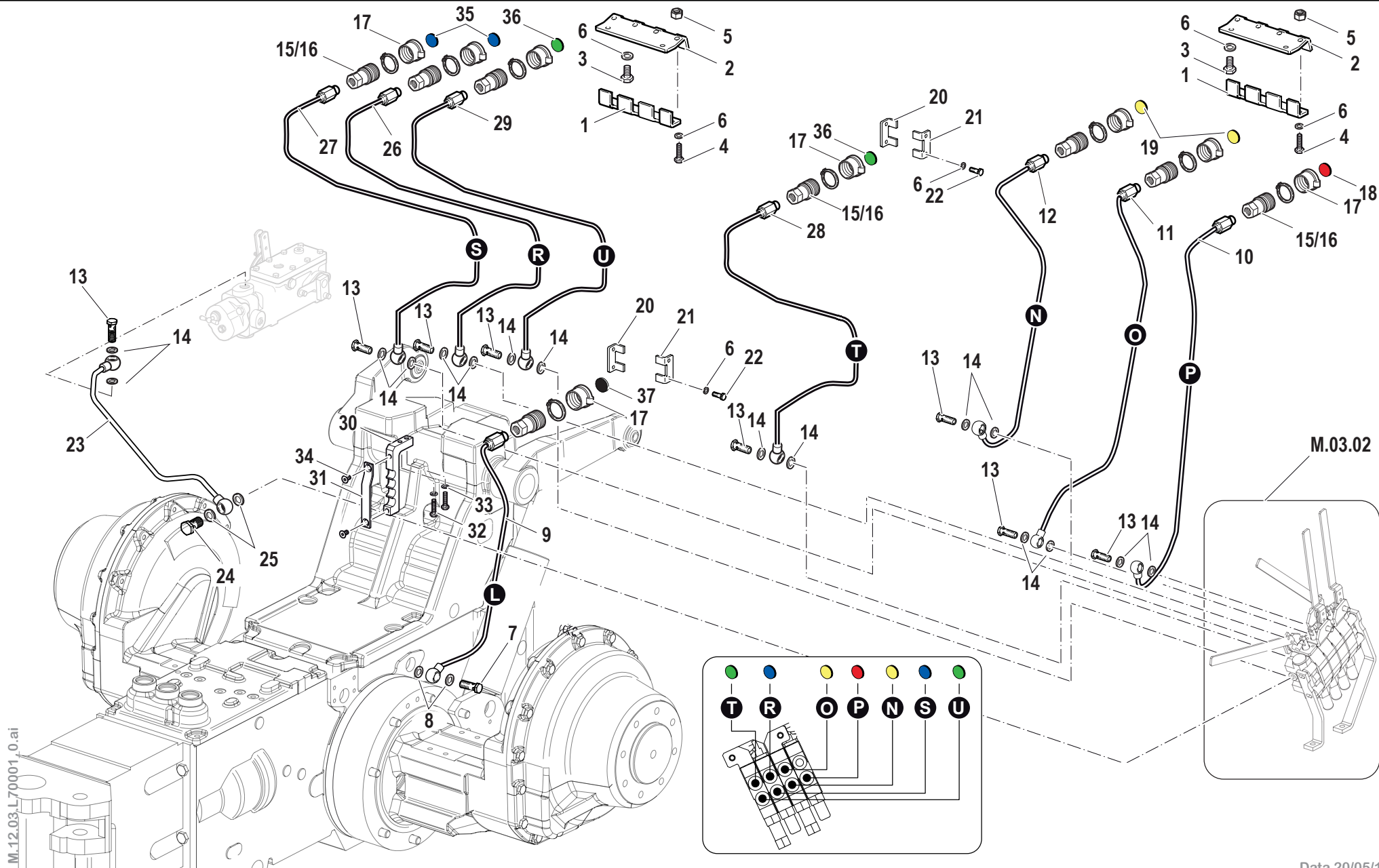
CODE REV  
**M.03.03.L70001\_1**



Pos.	Code	Q.ty	Description	Notes
3	31111151	2	SCREW TE M8X16 UNI 5739 8G	
4	31112161	3	SCREW TE M8X50 UNI 5737 8G	
5	31211080	3	NUT M8	
20	56178727	1	COMB	
21	56178728	1	COMB	
1	56178729	1	COMB	
2	56178730	1	COMB	
7	56370081	1	PLUG	
23	59078663	1	DISTRIBUTING PIPE	
9	59079095	1	PIPE	
10	59079096	1	PIPE	
11	59079097	1	PIPE	
12	59079098	1	PIPE	
14	F0824110000	10	COPPER WASHER 3/8 GAS	
25	F0824141000	2	COPPER WASHER 21x27/1,5	
16	F0825980032	4	COUPLING	
15	F0825981000	4	COUPLING	
13	F0843109020	5	PIPE FITTING	
24	F0843116000	1	PIPE FITTING 1/2	
6	F0843643060	7	WASHER 8	
8	F0844273090	1	GASKET 22X28X1,5 CU 99,5	
17	F0852550100	4	PLUG	
18	F0852550200	2	DECAL	
19	F0852550210	2	DECAL	
22	F0862944000	2	SCREW M8X60 UNI 5737	

# DRAFT CONTROL LIFT – CONTROL VALVES ARRANGEMENT - 1 DOUBLE ACTING +1 SIMPLE ACTING WITH LOCKABLE DELIVERY POSITION VERSION

SERIAL END 916940



Pos.	Code	Q.ty	Description	Notes
3	31111151	4	SCREW TE M8X16 UNI 5739 8G	
32	31112086	2	SCREW TE M6X30 UNI 5737 8G	
4	31112161	6	SCREW TE M8X50 UNI 5737 8G	
5	31211080	6	NUT M8	
30	56176850	1	COMB	
31	56176851	1	BRACKET	
20	56178727	2	COMB	
21	56178728	2	COMB	
1	56178729	2	COMB	
2	56178730	2	COMB	
29	59078658	1	DISTRIBUTING PIPE	
23	59078664	1	DISTRIBUTING PIPE	
10	59079096	1	PIPE	
11	59079097	1	PIPE	
12	59079098	1	PIPE	
26	59079099	1	PIPE	
27	59079100	1	PIPE	
28	59079101	1	PIPE	
9	59079102	1	PIPE	
14	F0824110000	16	COPPER WASHER 3/8 GAS	
25	F0824141000	2	COPPER WASHER 21x27/1,5	
16	F0825980032	8	COUPLING	
15	F0825981000	8	COUPLING	
13	F0843109020	8	PIPE FITTING	
24	F0843116000	1	PIPE FITTING 1/2	
7	F0843122000	1	SCREW 22x1,5	
33	F0843570000	2	WASHER 6	
6	F0843643060	14	WASHER 8	
8	F0844273090	1	GASKET 22X28X1,5 CU 99,5	
17	F0852550100	8	PLUG	
18	F0852550200	2	DECAL	
19	F0852550210	2	DECAL	
35	F0852550220	2	DECAL	
36	F0852550230	2	DECAL	

SERIAL  
END  
**916940**

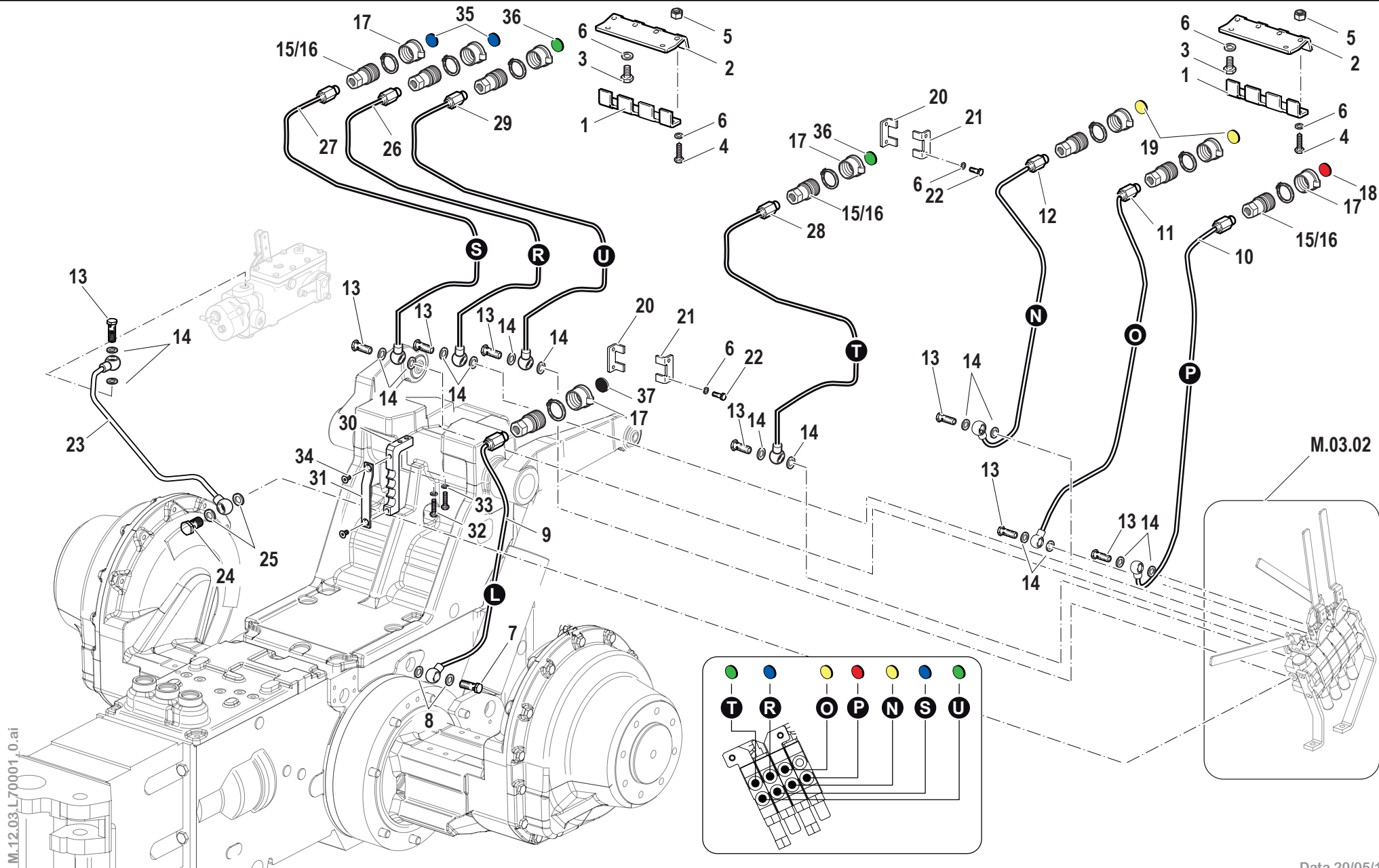
**DRAFT CONTROL LIFT – CONTROL VALVES ARRANGEMENT - 1 DOUBLE ACTING +1  
SIMPLE ACTING WITH LOCKABLE DELIVERY POSITION VERSION**

CODE REV  
**M.12.03.L70001\_0**



# DRAFT CONTROL LIFT – CONTROL VALVES ARRANGEMENT - 1 DOUBLE ACTING +1 SIMPLE ACTING WITH LOCKABLE DELIVERY POSITION VERSION

SERIAL END 916940

**M.12.03.L70001\_0**


M.12.03.L70001\_0.ai

<b>Pos.</b>	<b>Code</b>	<b>Q.ty</b>	<b>Description</b>	<b>Notes</b>
37	F0852550240	1	DECAL	
34	F0861990050	2	SCREW M6X12 UNI 5933 10.9 ZNT	
22	F0862944000	4	SCREW M8X60 UNI 5737	

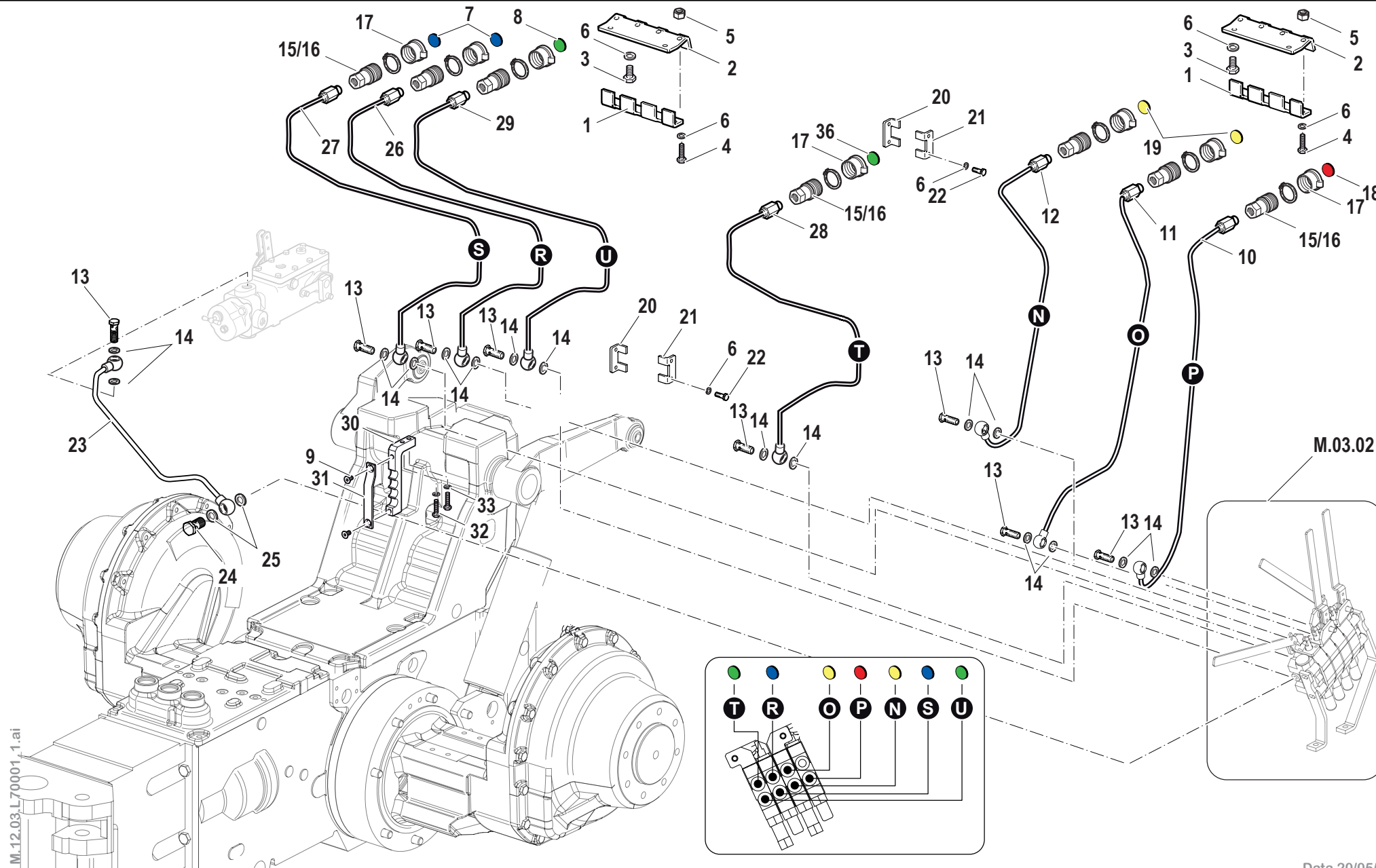
SERIAL  
END  
**916940**

**DRAFT CONTROL LIFT – CONTROL VALVES ARRANGEMENT - 1 DOUBLE ACTING +1  
SIMPLE ACTING WITH LOCKABLE DELIVERY POSITION VERSION**

CODE REV  
**M.12.03.L70001\_0**

# DRAFT CONTROL LIFT – CONTROL VALVES ARRANGEMENT - 1 DOUBLE ACTING +1 SIMPLE ACTING WITH LOCKABLE DELIVERY POSITION VERSION

SERIAL START 916941

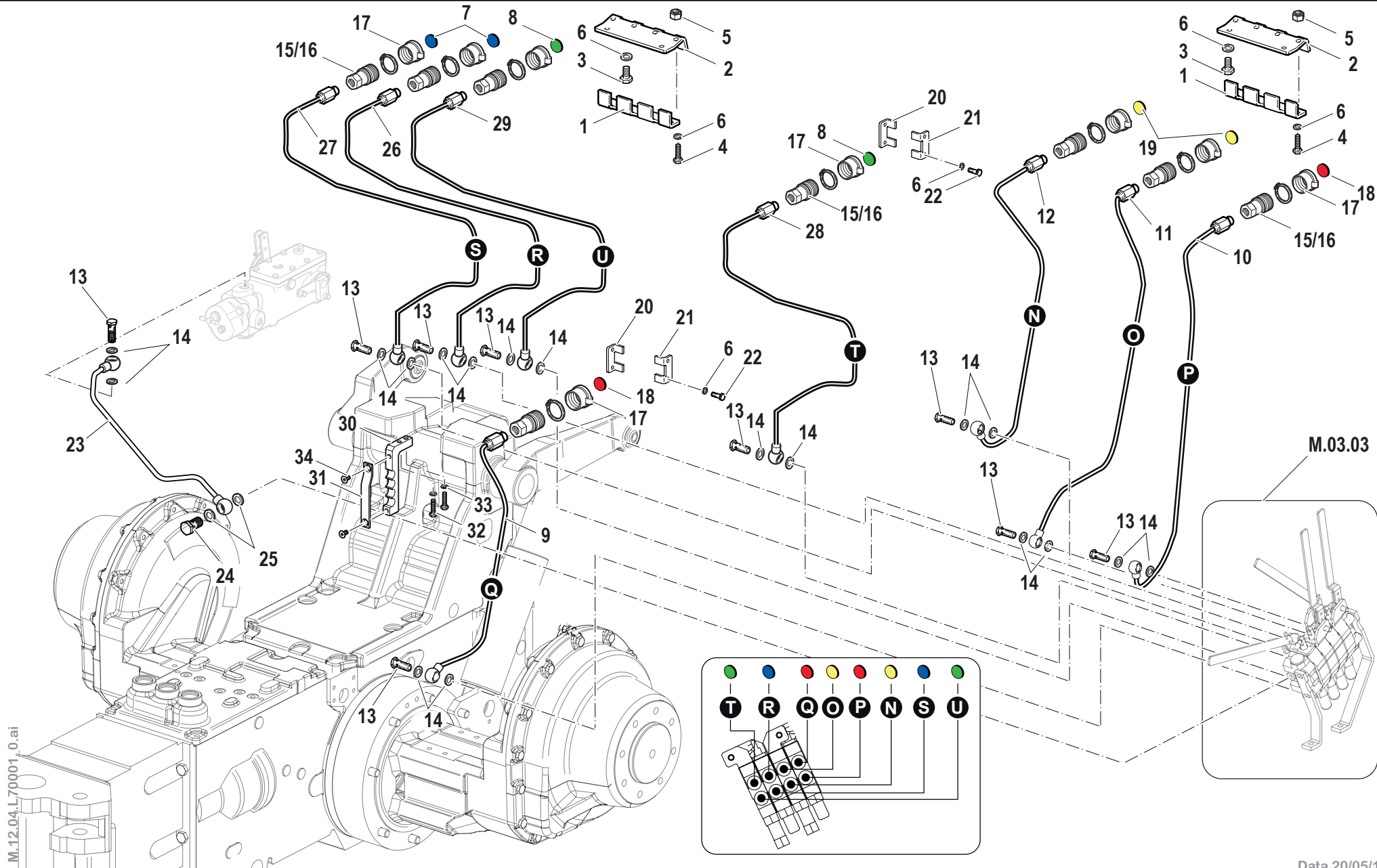


M.12.03.L70001\_1.ai

Pos.	Code	Q.ty	Description	Notes
3	31111151	4	SCREW TE M8X16 UNI 5739 8G	
32	31112086	2	SCREW TE M6X30 UNI 5737 8G	
4	31112161	6	SCREW TE M8X50 UNI 5737 8G	
5	31211080	6	NUT M8	
30	56176850	1	COMB	
31	56176851	1	BRACKET	
20	56178727	2	COMB	
21	56178728	2	COMB	
1	56178729	2	COMB	
2	56178730	2	COMB	
29	59078658	1	DISTRIBUTING PIPE	
23	59078664	1	DISTRIBUTING PIPE	
11	59079096	1	PIPE	
10	59079097	1	PIPE	
12	59079098	1	PIPE	
26	59079099	1	PIPE	
27	59079100	1	PIPE	
28	59079101	1	PIPE	
14	F0824110000	16	COPPER WASHER 3/8 GAS	
25	F0824141000	2	COPPER WASHER 21x27/1,5	
16	F0825980032	8	COUPLING	
15	F0825981000	8	COUPLING	
13	F0843109020	8	PIPE FITTING	
24	F0843116000	1	PIPE FITTING 1/2	
33	F0843570000	2	WASHER 6	
6	F0843643060	14	WASHER 8	
17	F0852550100	8	PLUG	
18	F0852550200	2	DECAL	
19	F0852550210	2	DECAL	
7	F0852550220	2	DECAL	
8	F0852550230	2	DECAL	
9	F0861990050	2	SCREW M6X12 UNI 5933 10.9 ZNT	
22	F0862944000	4	SCREW M8X60 UNI 5737	

# DRAFT CONTROL LIFT – CONTROL VALVES ARRANGEMENT - 1 DOUBLE ACTING +1 DOUBLE ACTING WITH FLOAT VERSION

SERIAL END 916940



M.12.04.L70001\_0.ai

Pos.	Code	Q.ty	Description	Notes
3	31111151	4	SCREW TE M8X16 UNI 5739 8G	
32	31112086	2	SCREW TE M6X30 UNI 5737 8G	
4	31112161	6	SCREW TE M8X50 UNI 5737 8G	
5	31211080	6	NUT M8	
30	56176850	1	COMB	
31	56176851	1	BRACKET	
20	56178727	2	COMB	
21	56178728	2	COMB	
1	56178729	2	COMB	
2	56178730	2	COMB	
29	59078658	1	DISTRIBUTING PIPE	
23	59078664	1	DISTRIBUTING PIPE	
9	59079095	1	PIPE	
10	59079096	1	PIPE	
11	59079097	1	PIPE	
12	59079098	1	PIPE	
26	59079099	1	PIPE	
27	59079100	1	PIPE	
28	59079101	1	PIPE	
14	F0824110000	16	COPPER WASHER 3/8 GAS	
25	F0824141000	2	COPPER WASHER 21x27/1,5	
16	F0825980032	8	COUPLING	
15	F0825981000	8	COUPLING	
13	F0843109020	8	PIPE FITTING	
24	F0843116000	1	PIPE FITTING 1/2	
33	F0843570000	2	WASHER 6	
6	F0843643060	14	WASHER 8	
17	F0852550100	8	PLUG	
18	F0852550200	2	DECAL	
19	F0852550210	2	DECAL	
7	F0852550220	2	DECAL	
8	F0852550230	2	DECAL	
34	F0861990050	2	SCREW M6X12 UNI 5933 10.9 ZNT	
22	F0862944000	4	SCREW M8X60 UNI 5737	

SERIAL  
END

916940

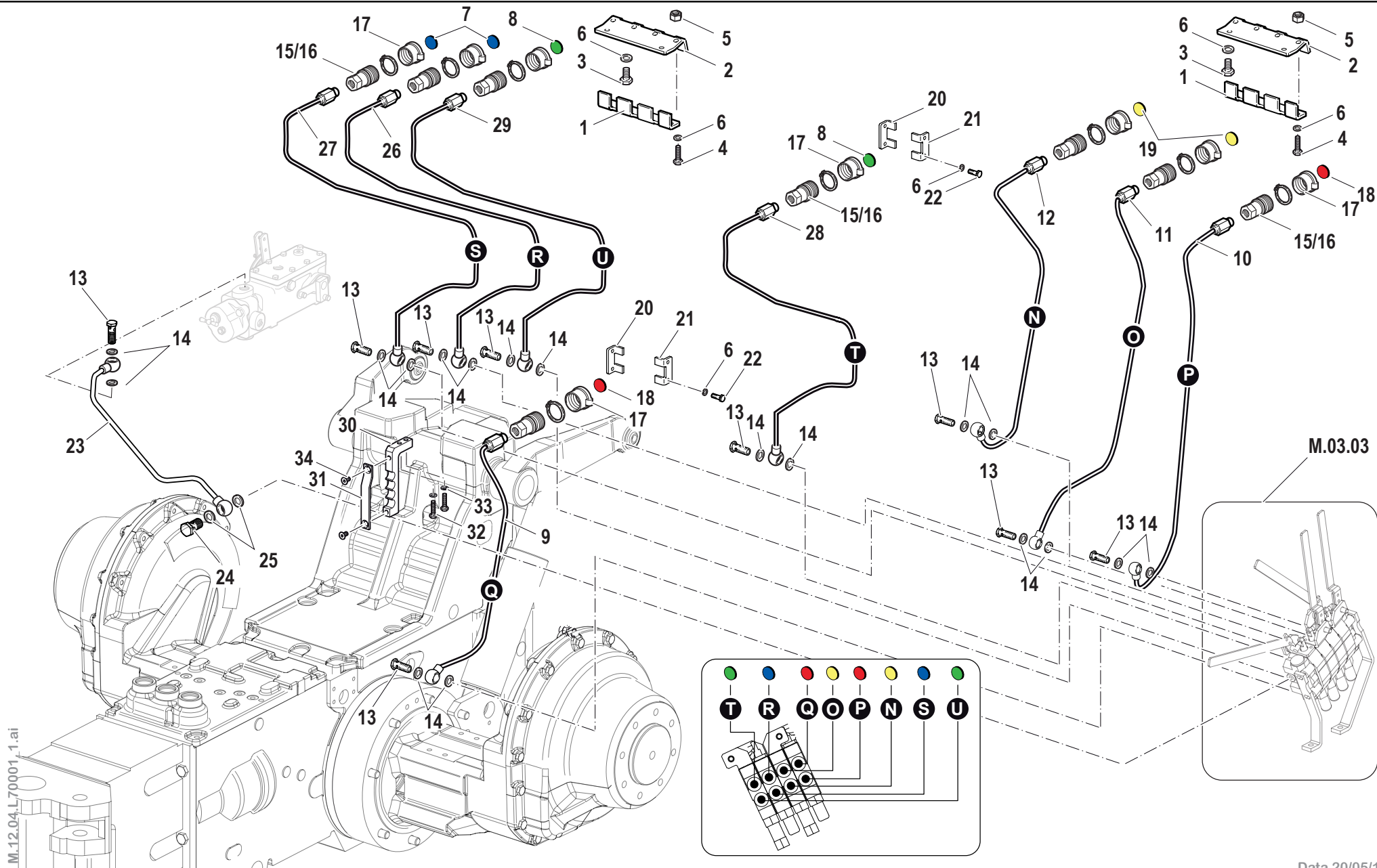
**DRAFT CONTROL LIFT – CONTROL VALVES ARRANGEMENT - 1 DOUBLE ACTING +1  
DOUBLE ACTING WITH FLOAT VERSION**

CODE REV

M.12.04.L70001\_0

# DRAFT CONTROL LIFT – CONTROL VALVES ARRANGEMENT - 1 DOUBLE ACTING +1 DOUBLE ACTING WITH FLOAT VERSION

SERIAL START 916941



M.12.04.L70001\_1.ai

Pos.	Code	Q.ty	Description	Notes
3	31111151	4	SCREW TE M8X16 UNI 5739 8G	
32	31112086	2	SCREW TE M6X30 UNI 5737 8G	
4	31112161	6	SCREW TE M8X50 UNI 5737 8G	
5	31211080	6	NUT M8	
30	56176850	1	COMB	
31	56176851	1	BRACKET	
20	56178727	2	COMB	
21	56178728	2	COMB	
1	56178729	2	COMB	
2	56178730	2	COMB	
29	59078658	1	DISTRIBUTING PIPE	
23	59078664	1	DISTRIBUTING PIPE	
9	59079095	1	PIPE	
10	59079096	1	PIPE	
11	59079097	1	PIPE	
12	59079098	1	PIPE	
26	59079099	1	PIPE	
27	59079100	1	PIPE	
28	59079101	1	PIPE	
14	F0824110000	16	COPPER WASHER 3/8 GAS	
25	F0824141000	2	COPPER WASHER 21x27/1,5	
16	F0825980032	8	COUPLING	
15	F0825981000	8	COUPLING	
13	F0843109020	8	PIPE FITTING	
24	F0843116000	1	PIPE FITTING 1/2	
33	F0843570000	2	WASHER 6	
6	F0843643060	14	WASHER 8	
17	F0852550100	8	PLUG	
18	F0852550200	2	DECAL	
19	F0852550210	2	DECAL	
7	F0852550220	2	DECAL	
8	F0852550230	2	DECAL	
34	F0861990050	2	SCREW M6X12 UNI 5933 10.9 ZNT	
22	F0862944000	4	SCREW M8X60 UNI 5737	





Pos.	Code	Q.ty	Description	Notes
42	31112150	2	SCREW TE M8X20 UNI 5739 8G	
17	31112211	2	SCREW TE M10X30 UNI 5739	
18	31112212	4	SCREW TE M10X35 UNI 5739	
36	31112328	2	SCREW TE M14X35 UNI 5739	
39	31152103	2	SCREW TCEI M10X25 UNI 5931	
32	31411190	2	WASHER 19x34	
3	56375105	2	PIN	
24	56375106	1	SHAFT	
21	58170291	2	BUSHING	
14	58175086	2	LIFTING CYLINDER	
47	58175121	1	COLLAR	
49	58175745	1	PLUG	
44	58175783	2	JOINT	
15	59075088	2	HINGE PIN	
6	59075095	1	LIFT LEVER	
5	59075102	1	LIFT LEVER	
43	59075107	2	PIN	
1	59075115	1	FRONT FRAME	
46	59075636	1	SHIELD	
22	59075639	1	PLATE	
2	59076071	2	ARM	
12	59077469	1	SIDE MEMBER	
13	59077470	1	SIDE MEMBER	
25	59077478	1	ROD	
26	59077479	1	ROD	
48	59079653	1	ELBOW	
16	59375116	2	FIXING BRACKET	
50	F0256909000	1	GUARD	
35	F0801297050	2	SEEGER RING	
40	F0801331050	2	SEEGER RING	
19	F0814632000	6	NUT M10	
37	F0826056000	2	LUBRICATOR M10 UNI 7663A	
45	F0843643060	2	WASHER 8	
20	F0843755000	6	WASHER 10	

SERIAL  
END

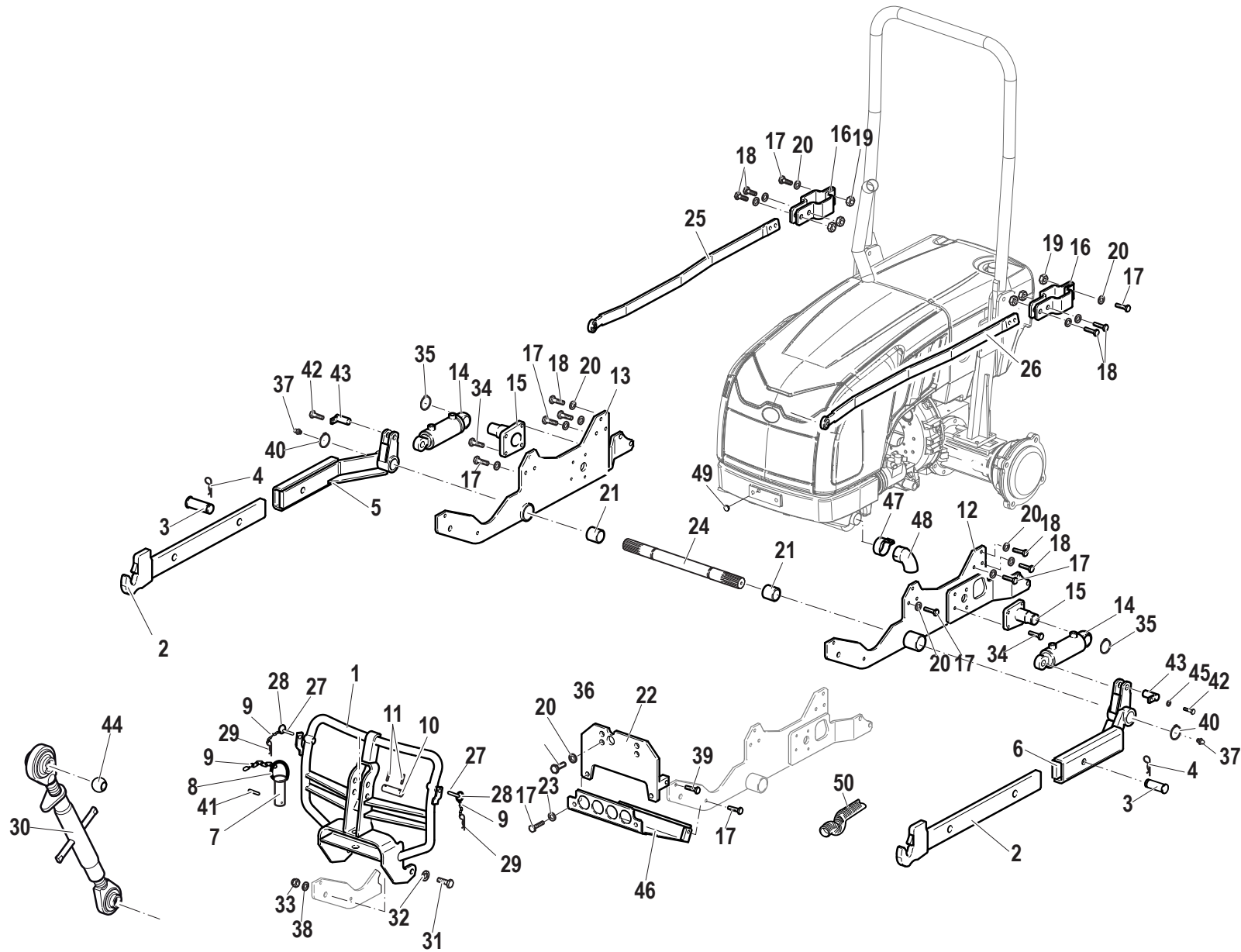
**916940**

**FRONT LIFT**

CODE REV

**S.01.01.L70001\_0**

FRONT LIFT



Pos.	Code	Q.ty	Description	Notes
23	F0843921030	2	WASHER 14	
4	F0851486000	2	SPLIT PIN	
41	F0852106000	1	PIN	
34	F0863311250	4	SCREW M10x1,5x32	
33	P000000002268	2	SELFLOCK NUT M18	
11	P000000005774	2	SPLIT PIN	
38	P000000006920	2	CUP	
31	P296115000000	2	PIN	
7	P296116000001	1	PIN	
30	P296121000000	1	ARM	
10	P296122000000	1	PIN	
27	P296267000000	2	PIN	
29	P439149000000	2	SPLIT PIN	
8	P453569000001	1	SPRING	
9	P827003000003	2	CHAIN	
28	P985535000100	2	RING	

SERIAL  
END

916940

FRONT LIFT

CODE REV

S.01.01.L70001\_0



Pos.	Code	Q.ty	Description	Notes
42	31112150	2	SCREW TE M8X20 UNI 5739 8G	
17	31112211	2	SCREW TE M10X30 UNI 5739	
18	31112212	4	SCREW TE M10X35 UNI 5739	
36	31112328	2	SCREW TE M14X35 UNI 5739	
39	31152103	2	SCREW TCEI M10X25 UNI 5931	
32	31411190	2	WASHER 19x34	
3	56375105	2	PIN	
24	56375106	1	SHAFT	
21	58170291	2	BUSHING	
14	58175086	2	LIFTING CYLINDER	
47	58175121	1	COLLAR	
49	58175745	1	PLUG	
44	58175783	2	JOINT	
15	59075088	2	HINGE PIN	
6	59075095	1	LIFT LEVER	
5	59075102	1	LIFT LEVER	
43	59075107	2	PIN	
1	59075115	1	FRONT FRAME	
46	59075636	1	SHIELD	
22	59075639	1	PLATE	
2	59076071	2	ARM	
48	59079653	1	ELBOW	
12	590A0381	1	LONGH.SX SOLL/ANT.75 VERN.	
13	590A0382	1	LONGH.DX SOLL/ANT.75 VERN.	
25	590A0843	1	TIRANTE SUP.DX 75-RS-S.ANT.	
26	590A0844	1	TIRANTE SUP.SX 75-RS-S.ANT.	
16	59375116	2	FIXING BRACKET	
50	F0256909000	1	GUARD	
35	F0801297050	2	SEEGER RING	
40	F0801331050	2	SEEGER RING	
19	F0814632000	6	NUT M10	
37	F0826056000	2	LUBRICATOR M10 UNI 7663A	
45	F0843643060	2	WASHER 8	
20	F0843755000	6	WASHER 10	

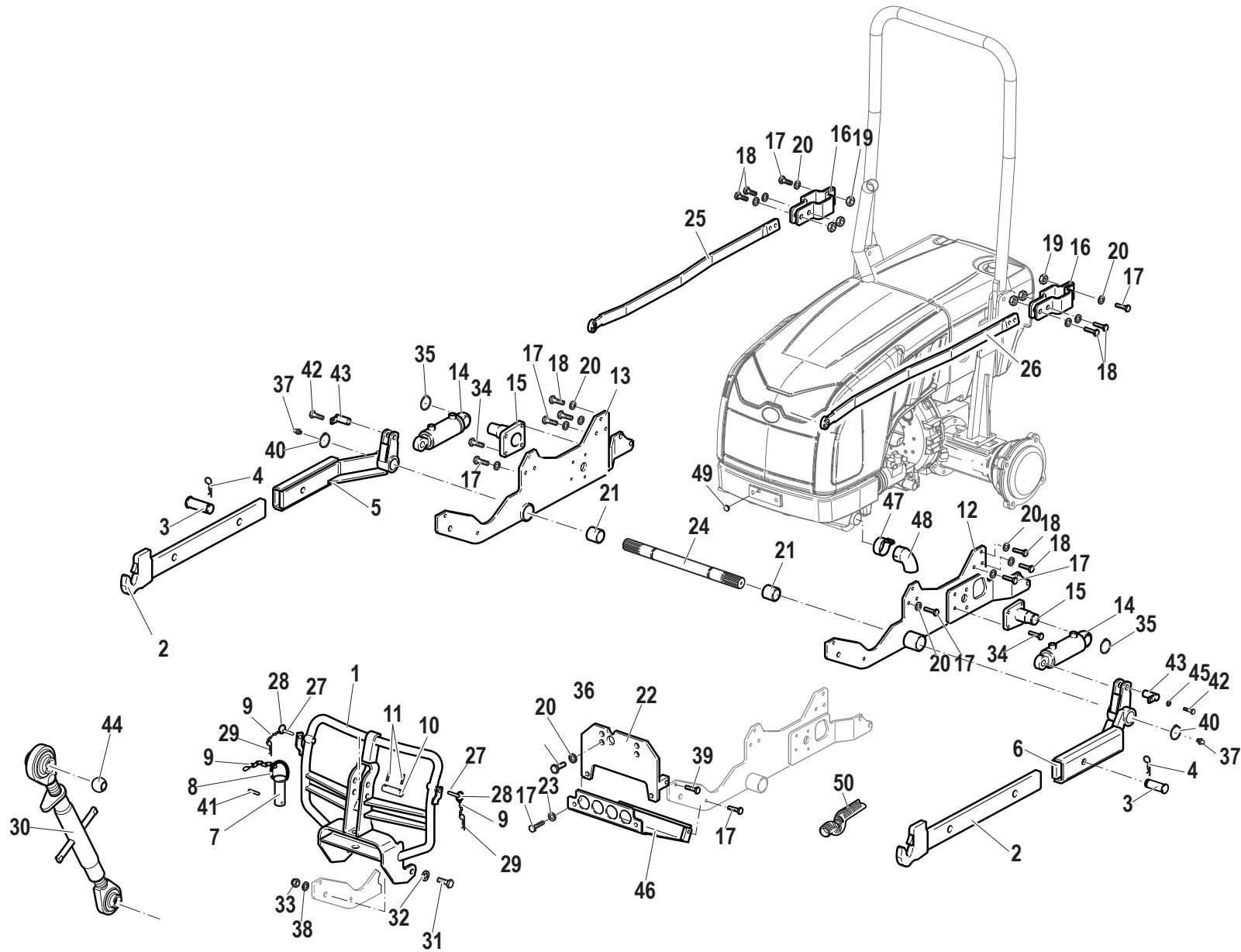
SERIAL  
START  
**916941**

**FRONT LIFT**

CODE REV

**S.01.01.L70001\_1**

FRONT LIFT



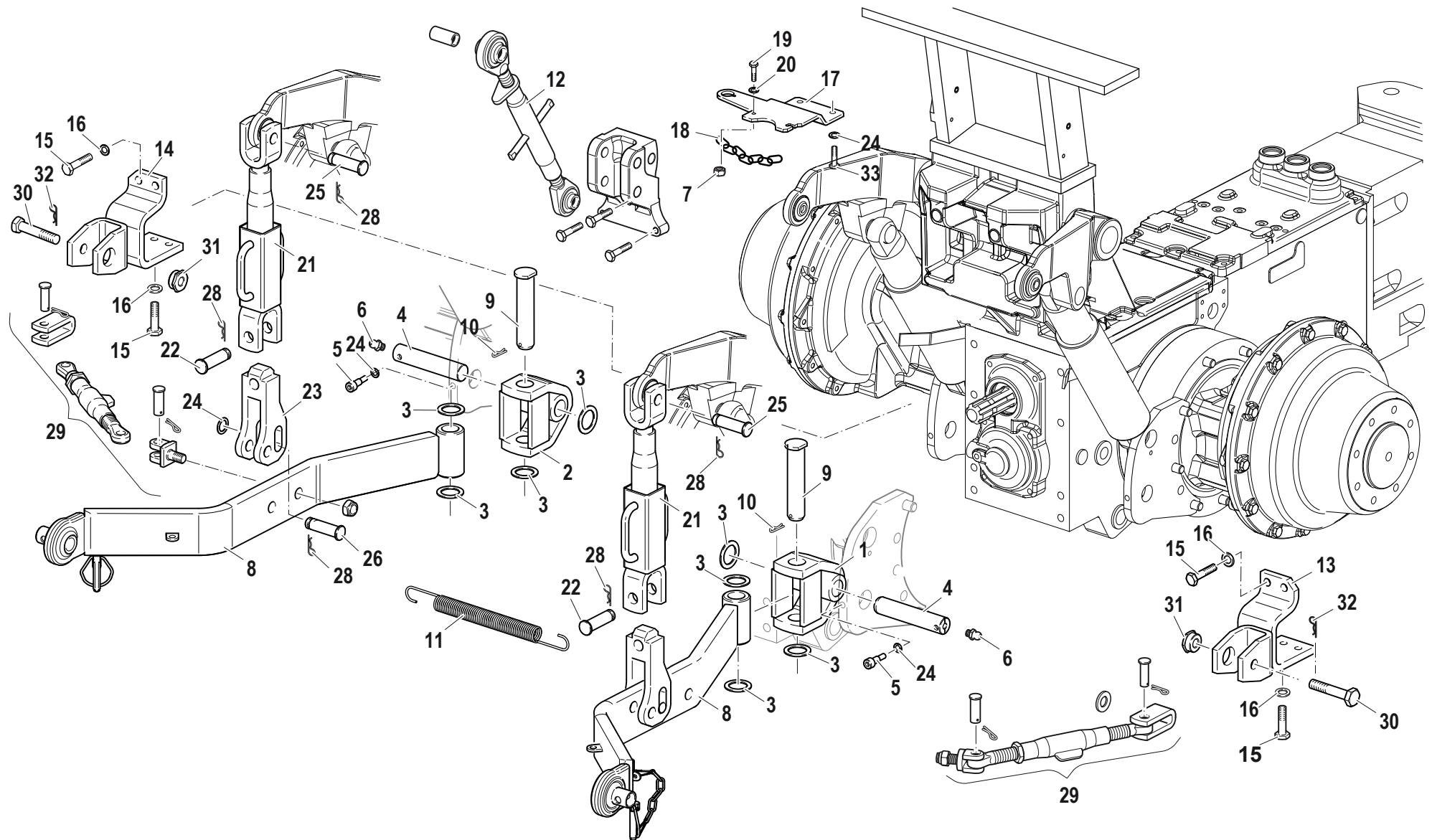
Pos.	Code	Q.ty	Description	Notes
23	F0843921030	2	WASHER 14	
4	F0851486000	2	SPLIT PIN	
41	F0852106000	1	PIN	
34	F0863311250	4	SCREW M10x1,5x32	
33	P000000002268	2	SELFLOCK NUT M18	
11	P000000005774	2	SPLIT PIN	
38	P000000006920	2	CUP	
31	P296115000000	2	PIN	
7	P296116000001	1	PIN	
30	P296121000000	1	ARM	
10	P296122000000	1	PIN	
27	P296267000000	2	PIN	
29	P439149000000	2	SPLIT PIN	
8	P453569000001	1	SPRING	
9	P827003000003	2	CHAIN	
28	P985535000100	2	RING	

SERIAL  
START  
**916941**

**FRONT LIFT**

CODE REV  
**S.01.01.L70001\_1**





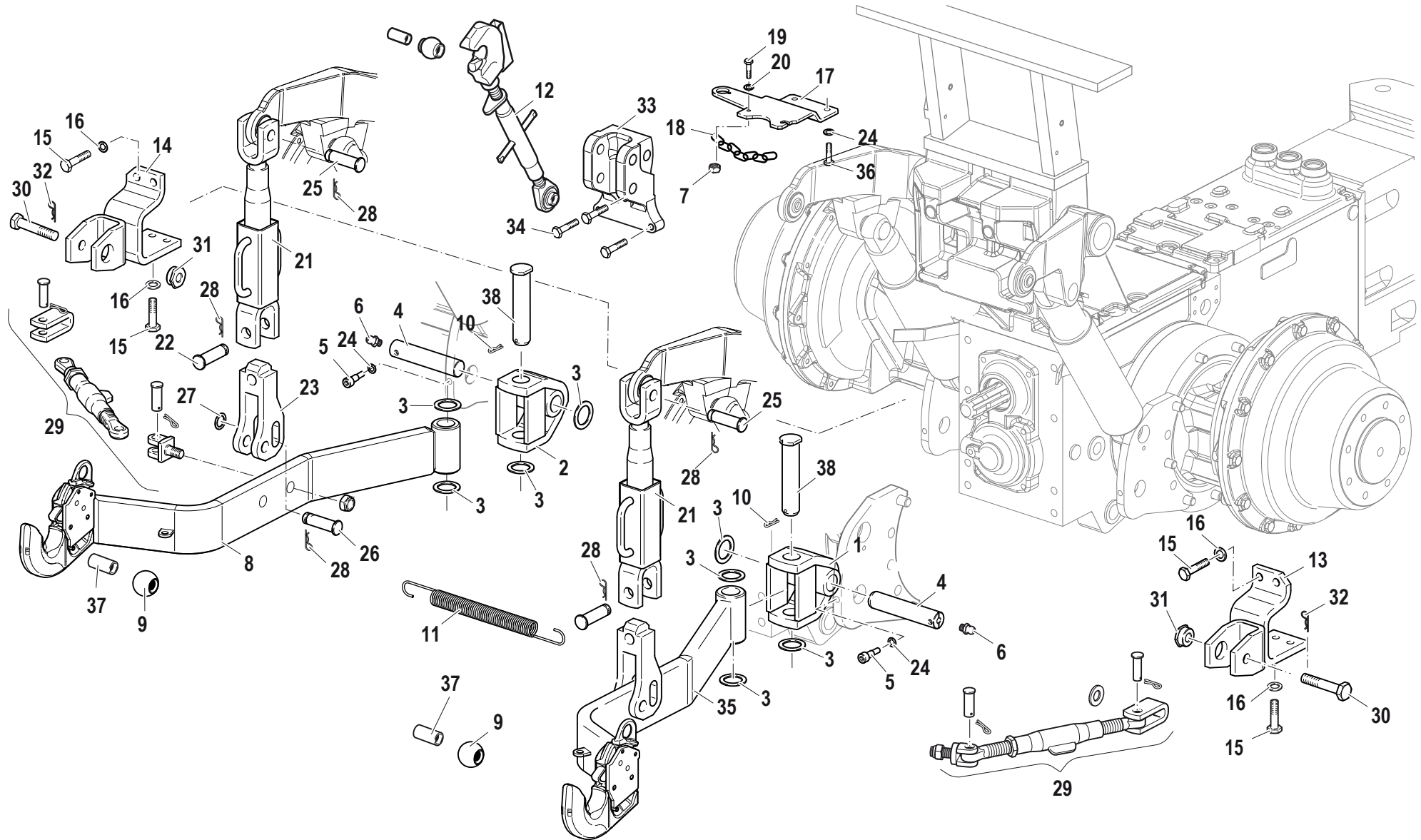
Pos.	Code	Q.ty	Description	Notes
19	31112093	1	SCREW TE M6X20	
33	31112210	2	SCREW TE M10X20 UNI 5739	
15	31112264	8	SCREW TE M12X35 UNI 5739	
20	31411066	1	WASHER 6,6x18	
10	34110051	2	SPLIT PIN	
5	56078852	2	SPECIAL SCREW	
17	56178732	1	BRACKET	
30	56178854	2	SCREW	
31	56178855	2	ADJUSTING NUT	
26	56378795	2	PIN	
9	56378853	2	HINGE PIN	
4	56378858	2	HINGE PIN	
25	58071755	2	PIN	
11	58072465	1	RETAINING SPRING	
22	58072642	2	PIN	
12	58075983	1	3-POINT HITCH	
29	58076354	2	ROD	
18	58076369	1	CHAIN	
21	58078794	2	ROD	
3	58078856	8	RING	
8	58078908	2	LIFTING ARM	
23	59078798	2	BRACKET	
13	59078839	1	RIGHT YOKE	
14	59078843	1	LEFT BRACKET	
1	59078846	1	FORK	
2	59078906	1	FORK	
32	F0810555010	2	SPLIT PIN A3,0X25 UNI 1336	
6	F0826056000	2	LUBRICATOR M10 UNI 7663A	
24	F0843755000	4	WASHER 10	
16	F0843843060	8	WASHER 12	
27	F0844150000	2	WASHER D.30x18,5/5	
28	F0851486000	6	SPLIT PIN	

SERIAL

**IMPLEMENTS ATTACHMENT - STD**

CODE REV

**T.01.01.L70001\_0**



Pos.	Code	Q.ty	Description	Notes
19	31112093	1	SCREW TE M6X20	
36	31112210	2	SCREW TE M10X20 UNI 5739	
15	31112264	8	SCREW TE M12X35 UNI 5739	
7	31211060	1	HEXAGONAL NUT M8	
20	31411066	1	WASHER 6,6x18	
10	34110051	2	SPLIT PIN	
33	51376275	1	THREE-POINT LINKAGE	
5	56078852	2	SPECIAL SCREW	
17	56178732	1	BRACKET	
30	56178854	2	SCREW	
31	56178855	2	ADJUSTING NUT	
26	56378795	2	PIN	
38	56378853	2	HINGE PIN	
4	56378858	2	HINGE PIN	
25	58071755	2	PIN	
11	58072465	1	RETAINING SPRING	
22	58072642	2	PIN	
12	58075987	1	3-POINT HITCH	
29	58076354	2	ROD	
18	58076369	1	CHAIN	
21	58078794	2	ROD	
3	58078856	8	RING	
8	58078861	1	LIFTING ARM	
35	58078862	1	LIFTING ARM	
9	58171000	2	JOINT	
37	58177978	2	BUSHING	
23	59078798	2	BRACKET	
13	59078839	1	RIGHT YOKE	
14	59078843	1	LEFT BRACKET	
1	59078846	1	FORK	
2	59078906	1	FORK	
32	F0810555010	2	SPLIT PIN A3,0X25 UNI 1336	
6	F0826056000	2	LUBRICATOR M10 UNI 7663A	
24	F0843755000	4	WASHER 10	

SERIAL

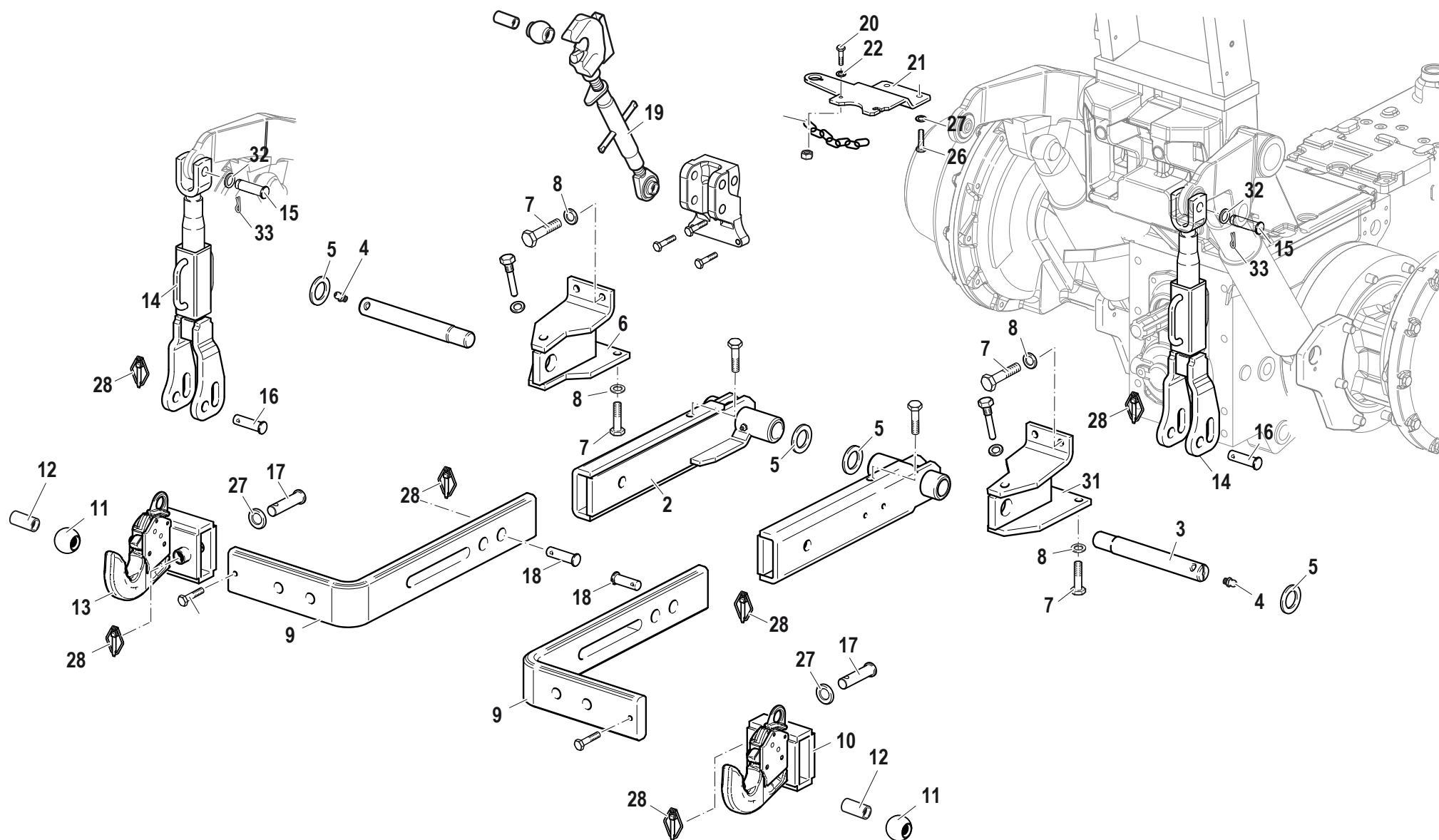
**IMPLEMENTS ATTACHMENT WITH QUICK COUPLINGS**

CODE REV

**T.01.02.L70001\_0**

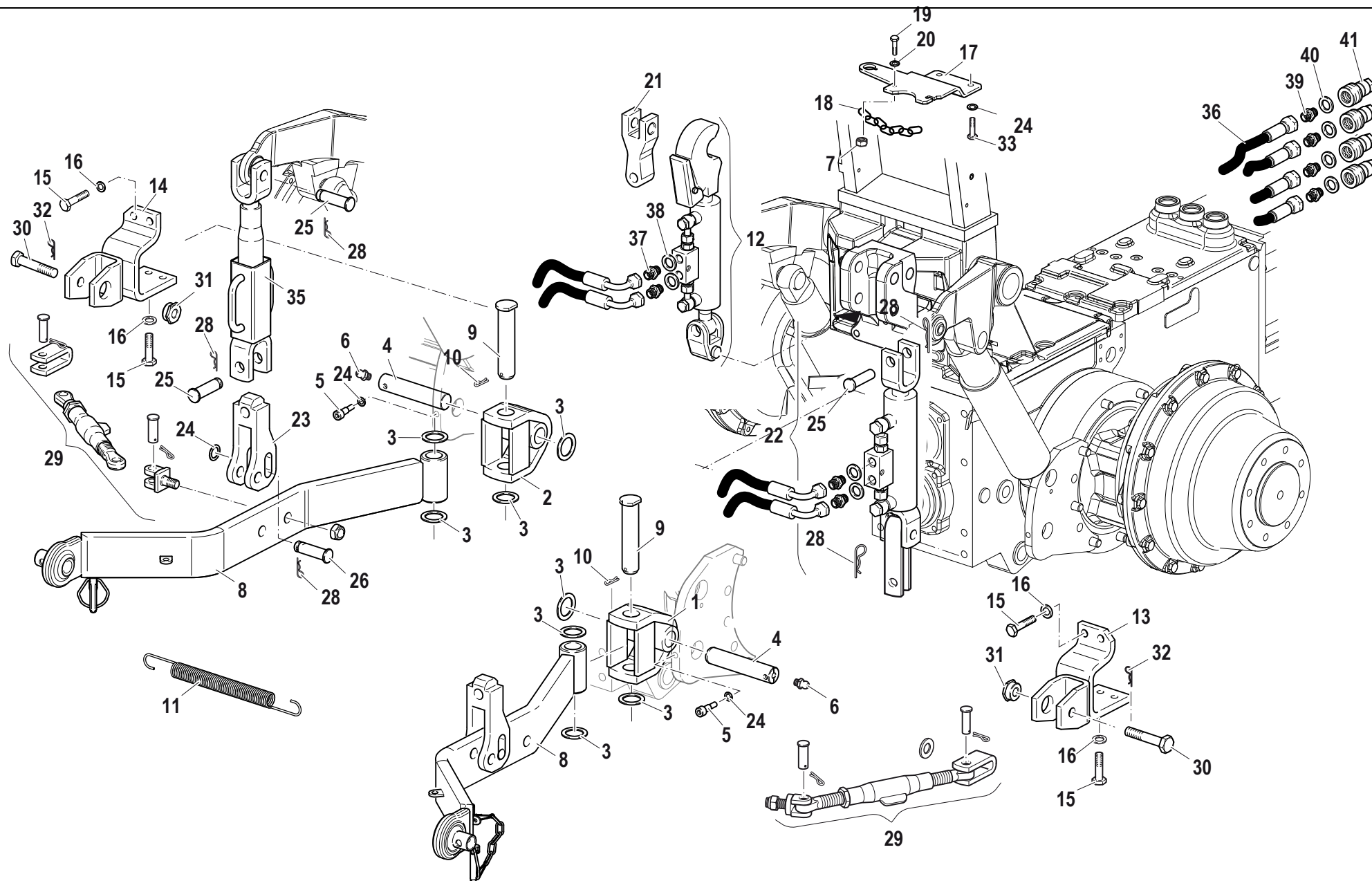


<b>Pos.</b>	<b>Code</b>	<b>Q.ty</b>	<b>Description</b>	<b>Notes</b>
16	F0843843060	8	WASHER 12	
27	F0844150000	2	WASHER D.30x18,5/5	
28	F0851486000	6	SPLIT PIN	
34	F0863359000	3	SCREW M10X40 UNI 5737	



Pos.	Code	Q.ty	Description	Notes
24	31112093	1	SCREW TE M6X20	
29	31112210	2	SCREW TE M10X20 UNI 5739	
20	31112219	2	SCREW TE M10X25 UNI 5739	
7	31112264	8	SCREW TE M12X35 UNI 5739	
26	31112271	2	SCREW TE M12X25 UNI 5739	
30	31211060	1	HEXAGONAL NUT M8	
25	31411066	1	WASHER 6,6x18	
28	34240085	6	PIN	
5	56126095	4	WASHER 30,5x48/4	
21	56178732	1	BRACKET	
17	56179473	2	LOCKING BOLT	
9	56379462	2	ARM	
16	56379474	2	PIN	
18	56379475	2	LOCKING BOLT	
3	56579465	2	HINGE PIN	
15	58071755	2	PIN	
32	58071757	2	WASHER	
19	58075987	1	3-POINT HITCH	
23	58076369	1	CHAIN	
14	58079470	2	TIR.SOLL.IMPUG.SDT-592A4485 *	
11	58171000	2	JOINT	
12	58177978	2	BUSHING	
31	59079450	1	SUPPORT	
6	59079451	1	SUPPORT	
1	59079456	1	HOLDER	
2	59079457	1	HOLDER	
10	59079471	1	DEVICE COUPLING	
13	59079493	1	DEVICE COUPLING	
4	F0826056000	2	LUBRICATOR M10 UNI 7663A	
22	F0843755000	2	WASHER 10	
8	F0843843060	8	WASHER 12	
27	F0844150000	2	WASHER D.30x18,5/5	
33	F0851486000	2	SPLIT PIN	





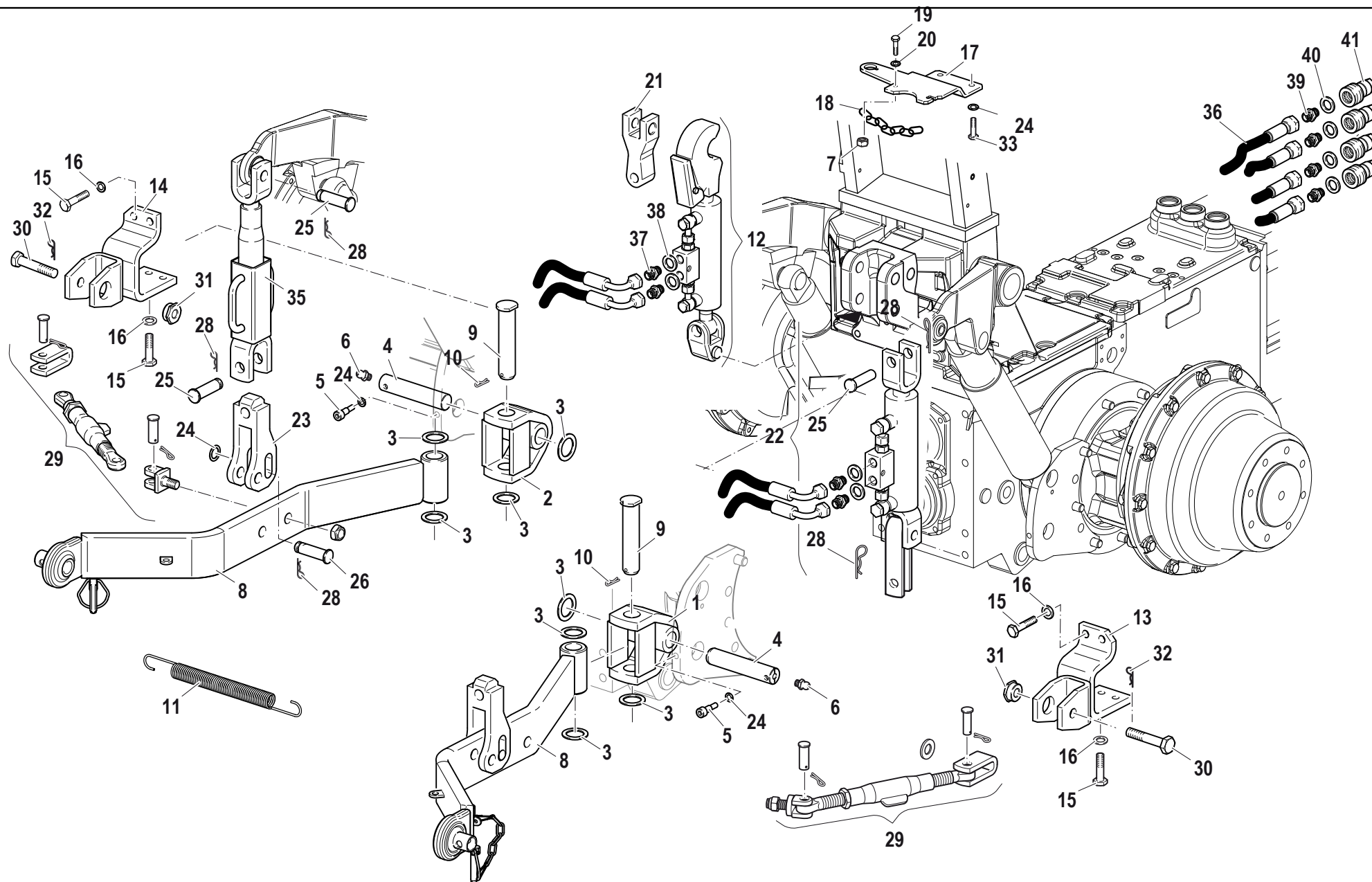
Pos.	Code	Q.ty	Description	Notes
19	31112093	1	SCREW TE M6X20	
33	31112210	2	SCREW TE M10X20 UNI 5739	
15	31112264	8	SCREW TE M12X35 UNI 5739	
34	31211060	1	HEXAGONAL NUT M8	
20	31411066	1	WASHER 6,6x18	
10	34110051	2	SPLIT PIN	
5	56078852	2	SPECIAL SCREW	
17	56178732	1	BRACKET	
30	56178854	2	SCREW	
31	56178855	2	ADJUSTING NUT	
26	56378795	2	PIN	
9	56378853	2	HINGE PIN	
4	56378858	2	HINGE PIN	
25	58071755	2	PIN	
11	58072465	1	RETAINING SPRING	
21	58076349	1	TIP	
29	58076354	2	ROD	
36	58076366	4	FLEXIBLE HOSE	
18	58076369	1	CHAIN	
35	58078794	1	ROD	
3	58078856	8	RING	
8	58078908	2	LIFTING ARM	
12	58176350	1	HYDRAULIC CYLINDER	
22	58176351	1	HYDRAULIC CYLINDER	
23	59078798	2	BRACKET	
13	59078839	1	RIGHT YOKE	
14	59078843	1	LEFT BRACKET	
1	59078846	1	FORK	
2	59078906	1	FORK	
32	F0810555010	2	SPLIT PIN A3,0X25 UNI 1336	
38	F0824110000	4	COPPER WASHER 3/8 GAS	
40	F0824141000	4	COPPER WASHER 21x27/1,5	
41	F0825980032	4	COUPLING	
6	F0826056000	2	LUBRICATOR M10 UNI 7663A	

SERIAL

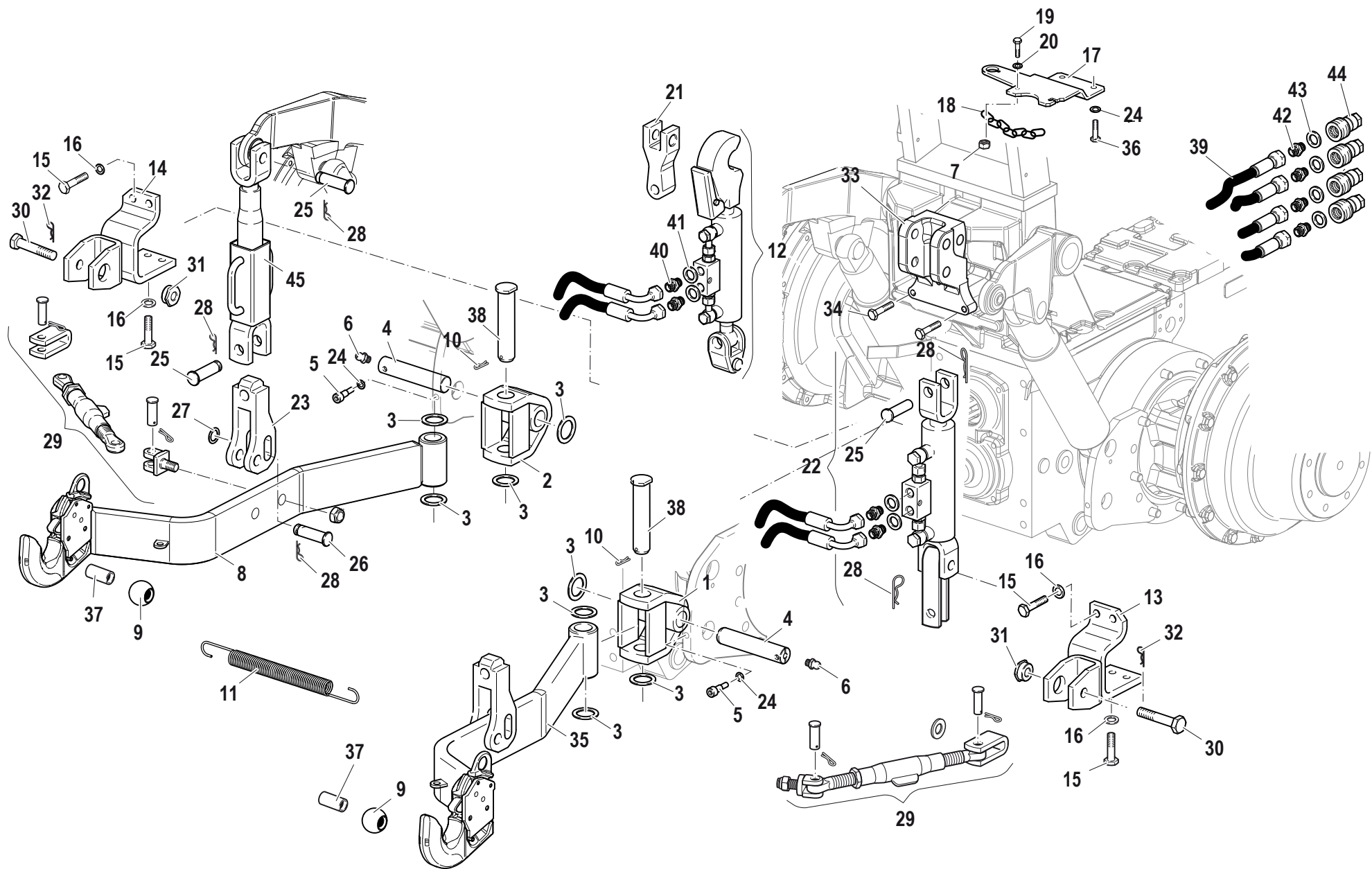
**IMPLEMENTS ATTACHMENT WITH ADJUSTABLE QUICK COUPLINGS - HYDR. 3RD POINT**

CODE REV

**T.01.04.L70001\_0**



Pos.	Code	Q.ty	Description	Notes
37	F0835023000	4	NIPPLE	
39	F0835040000	4	NIPPLE	
24	F0843755000	4	WASHER 10	
16	F0843843060	8	WASHER 12	
27	F0844150000	2	WASHER D.30x18,5/5	
28	F0851486000	6	SPLIT PIN	



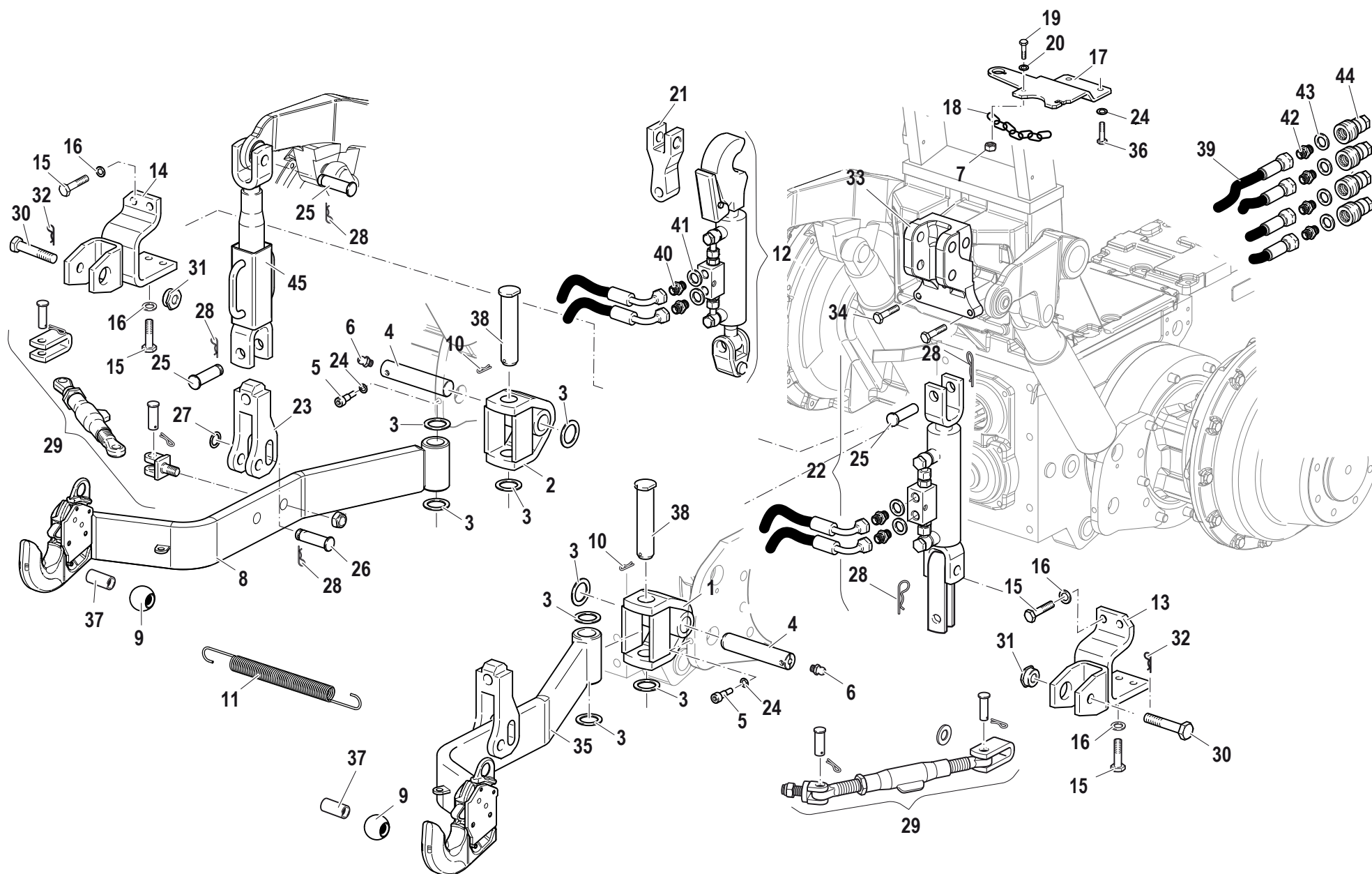
Pos.	Code	Q.ty	Description	Notes
19	31112093	1	SCREW TE M6X20	
36	31112210	2	SCREW TE M10X20 UNI 5739	
15	31112264	8	SCREW TE M12X35 UNI 5739	
7	31211060	1	HEXAGONAL NUT M8	
20	31411066	1	WASHER 6,6x18	
10	34110051	2	SPLIT PIN	
33	51376275	1	THREE-POINT LINKAGE	
5	56078852	2	SPECIAL SCREW	
17	56178732	1	BRACKET	
30	56178854	2	SCREW	
31	56178855	2	ADJUSTING NUT	
26	56378795	2	PIN	
38	56378853	2	HINGE PIN	
4	56378858	2	HINGE PIN	
25	58071755	2	PIN	
11	58072465	1	RETAINING SPRING	
21	58076349	1	TIP	
29	58076354	2	ROD	
39	58076366	4	FLEXIBLE HOSE	
18	58076369	1	CHAIN	
45	58078794	1	ROD	
3	58078856	8	RING	
8	58078861	1	LIFTING ARM	
35	58078862	1	LIFTING ARM	
9	58171000	2	JOINT	
12	58176350	1	HYDRAULIC CYLINDER	
22	58176351	1	HYDRAULIC CYLINDER	
37	58177978	2	BUSHING	
23	59078798	2	BRACKET	
13	59078839	1	RIGHT YOKE	
14	59078843	1	LEFT BRACKET	
1	59078846	1	FORK	
2	59078906	1	FORK	
32	F0810555010	2	SPLIT PIN A3,0X25 UNI 1336	

SERIAL

**IMPLEMENTS ATTACHMENT WITH QUICK COUPLINGS - HYDR. 3RD POINT AND TIE  
ROD VARIANT**

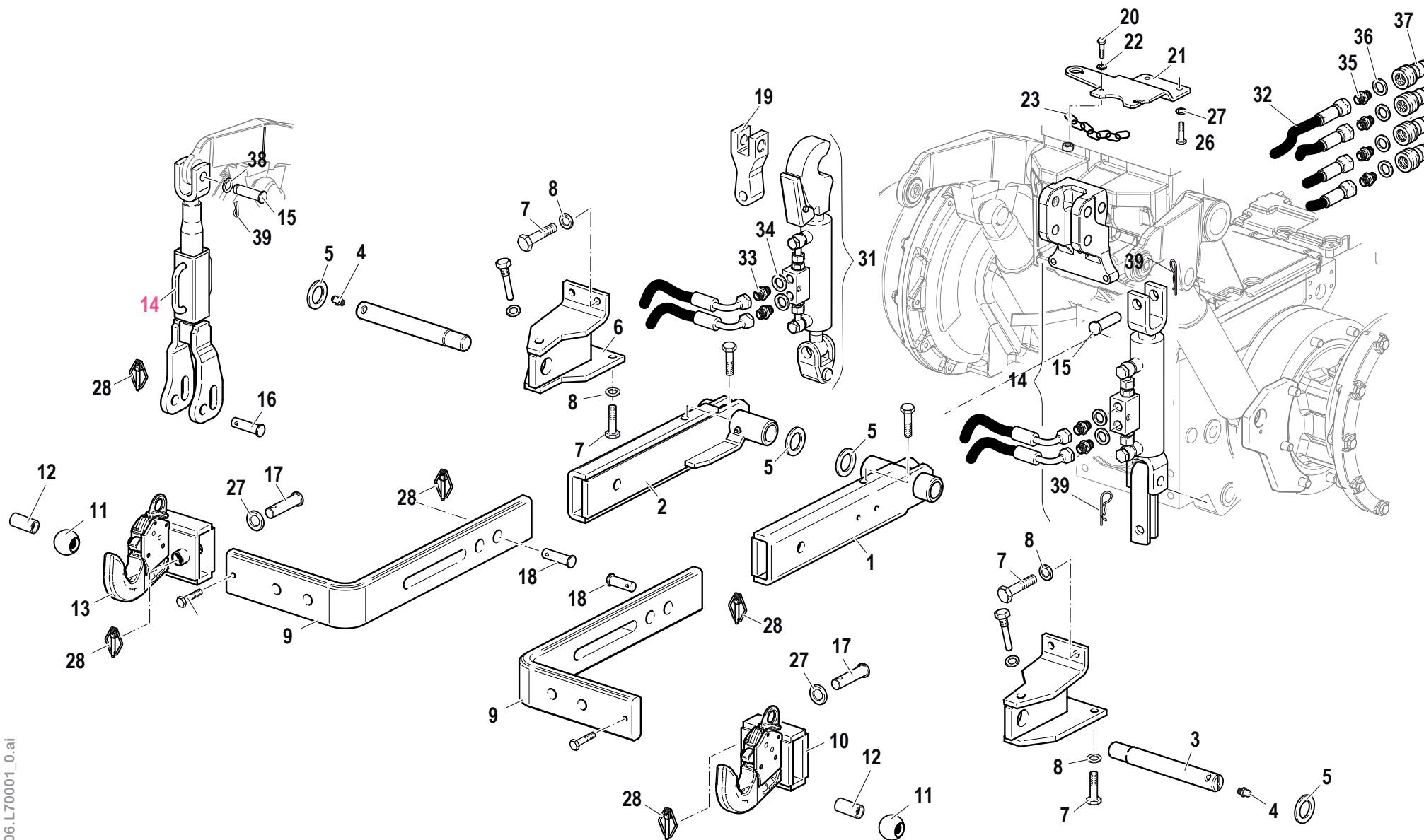
CODE REV

**T.01.05.L70001\_0**



Pos.	Code	Q.ty	Description	Notes
41	F0824110000	4	COPPER WASHER 3/8 GAS	
43	F0824141000	4	COPPER WASHER 21x27/1,5	
44	F0825980032	4	COUPLING	
6	F0826056000	2	LUBRICATOR M10 UNI 7663A	
40	F0835023000	4	NIPPLE	
42	F0835040000	4	NIPPLE	
24	F0843755000	4	WASHER 10	
16	F0843843060	8	WASHER 12	
27	F0844150000	2	WASHER D.30x18,5/5	
28	F0851486000	6	SPLIT PIN	
34	F0863359000	3	SCREW M10X40 UNI 5737	





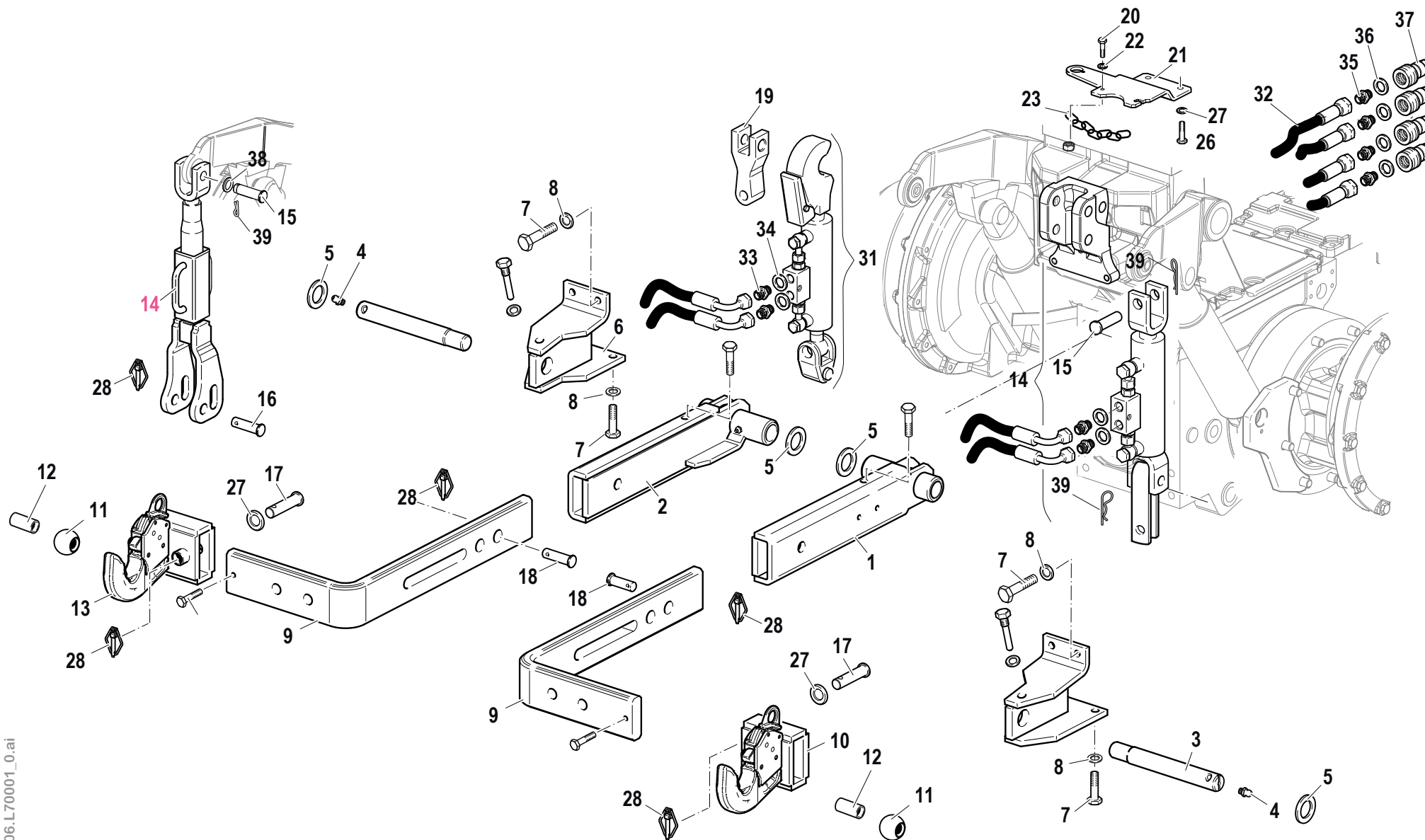
Pos.	Code	Q.ty	Description	Notes
24	31112093	1	SCREW TE M6X20	
29	31112210	2	SCREW TE M10X20 UNI 5739	
20	31112219	2	SCREW TE M10X25 UNI 5739	
7	31112264	8	SCREW TE M12X35 UNI 5739	
26	31112271	2	SCREW TE M12X25 UNI 5739	
30	31211060	1	HEXAGONAL NUT M8	
25	31411066	1	WASHER 6,6x18	
28	34240085	6	PIN	
5	56126095	4	WASHER 30,5x48/4	
21	56178732	1	BRACKET	
17	56179473	2	LOCKING BOLT	
9	56379462	2	ARM	
16	56379474	2	PIN	
18	56379475	2	LOCKING BOLT	
3	56579465	2	HINGE PIN	
15	58071755	2	PIN	
19	58076349	1	TIP	
32	58076366	4	FLEXIBLE HOSE	
23	58076369	1	CHAIN	
39	58079470	1	TIR.SOLL.IMPUG.SDT-592A4485 *	
11	58171000	2	JOINT	
14	58176350	1	HYDRAULIC CYLINDER	
12	58177978	2	BUSHING	
31	58179464	1	HYDRAULIC CYLINDER	
6	59079451	1	SUPPORT	
1	59079456	1	HOLDER	
2	59079457	1	HOLDER	
10	59079471	1	DEVICE COUPLING	
13	59079493	1	DEVICE COUPLING	
34	F0824110000	4	COPPER WASHER 3/8 GAS	
36	F0824141000	4	COPPER WASHER 21x27/1,5	
37	F0825980032	4	COUPLING	
4	F0826056000	2	LUBRICATOR M10 UNI 7663A	
33	F0835023000	4	NIPPLE	

SERIAL

**IMPLEMENTS ATTACHMENT - ADJUSTABLE ARMS WITH QUICK HITCHES - HYDR.  
3RD POINT AND TIE ROD VARIANT**

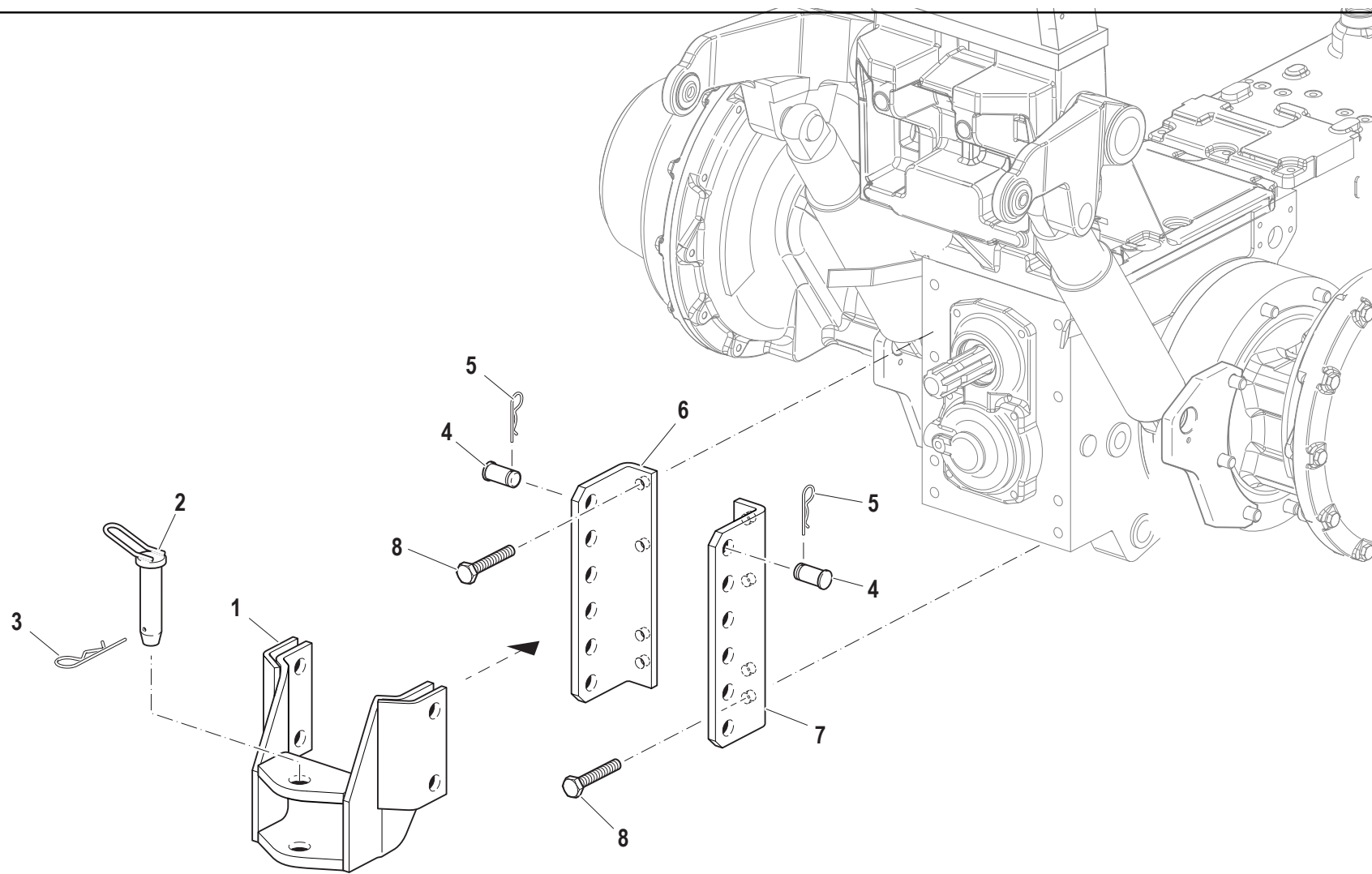
CODE REV

**T.01.06.L70001\_0**

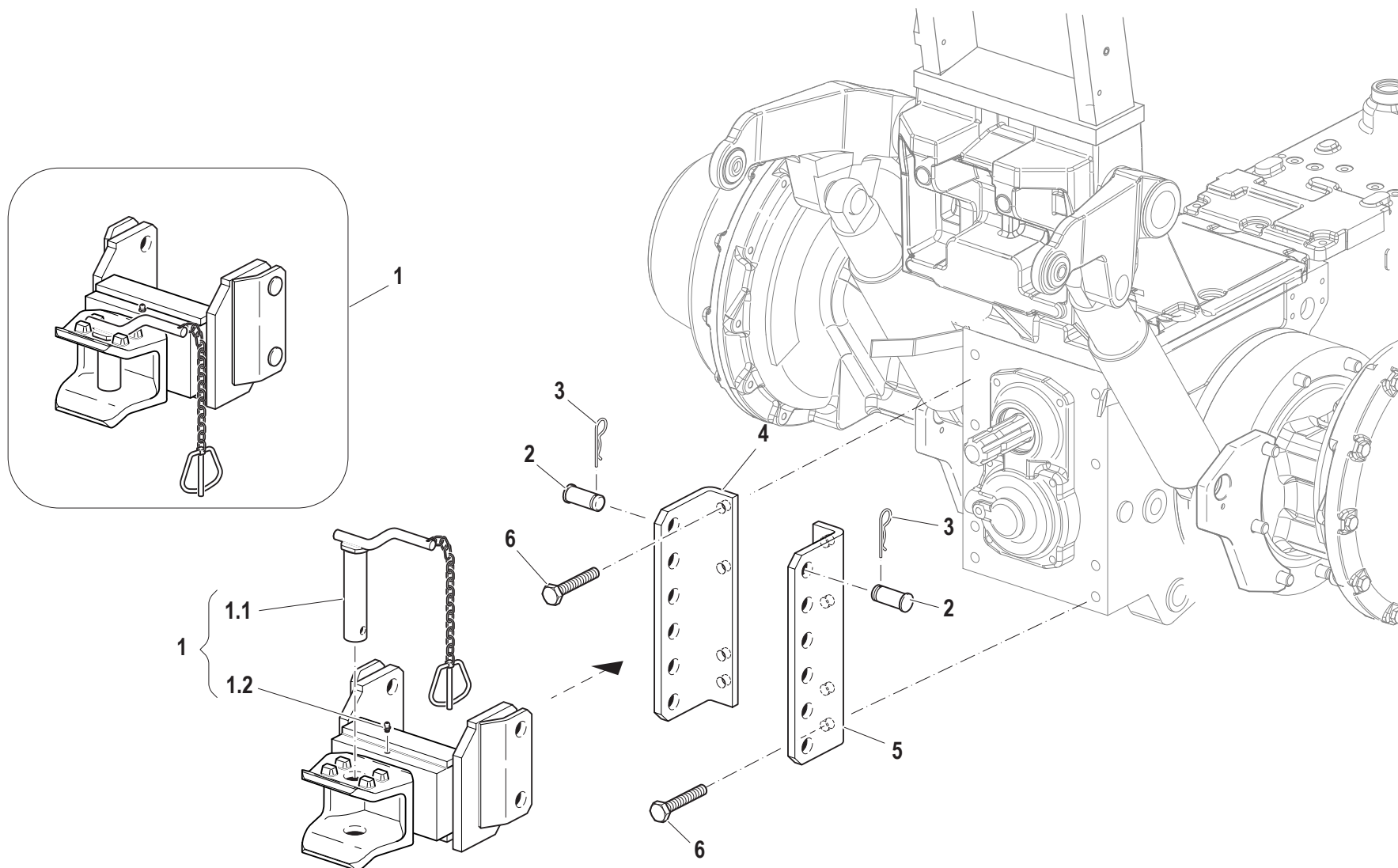


<b>Pos.</b>	<b>Code</b>	<b>Q.ty</b>	<b>Description</b>	<b>Notes</b>
35	F0835040000	4	NIPPLE	
22	F0843755000	2	WASHER 10	
8	F0843843060	8	WASHER 12	
27	F0844150000	2	WASHER D.30x18,5/5	
39	F0851486000	2	SPLIT PIN	

PULL HOOK STD

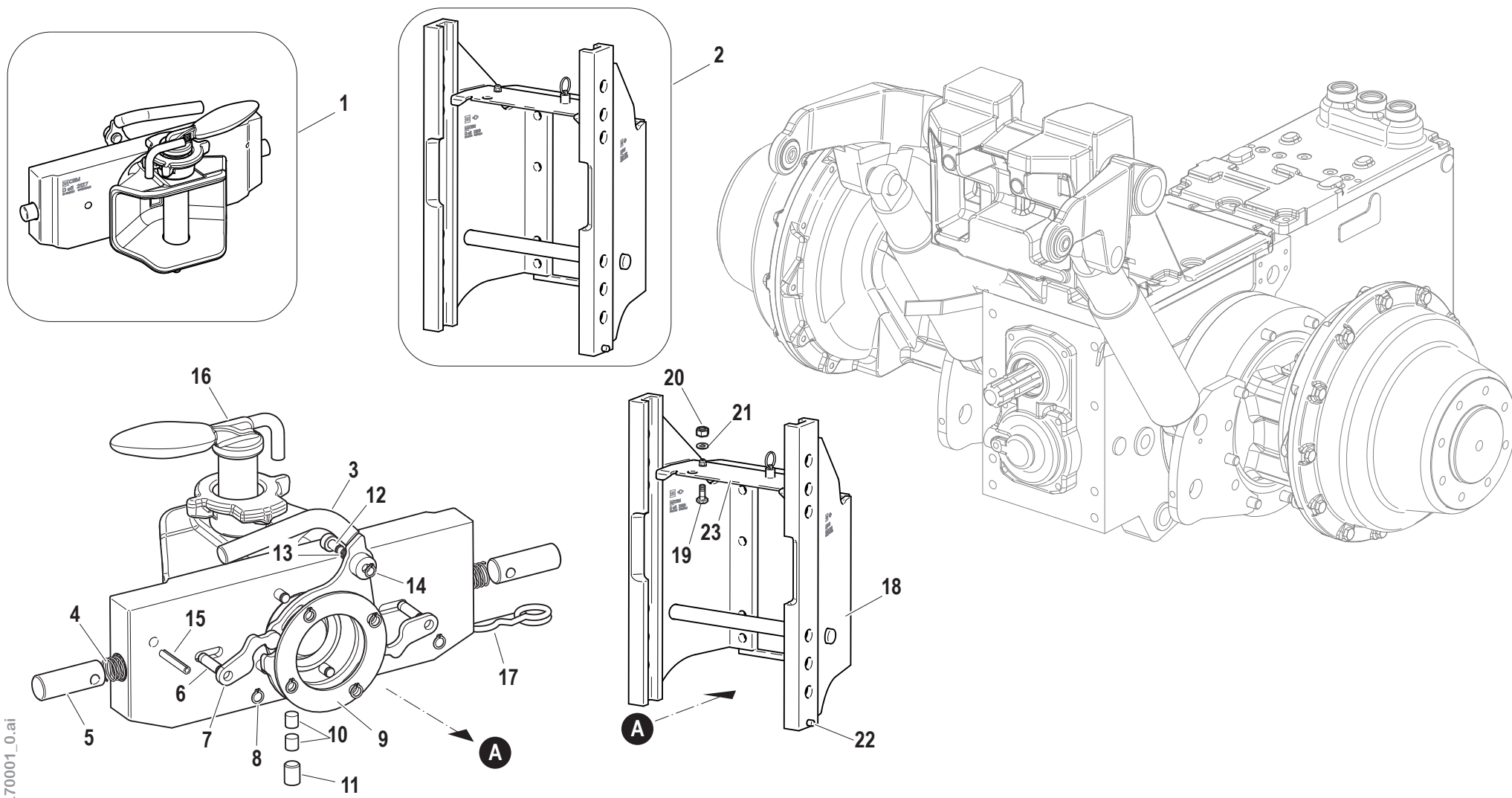


Pos.	Code	Q.ty	Description	Notes
6	56170704	1	SUPPORT	
7	56170705	1	SUPPORT	
4	56370696	4	PIN	
1	59070702	1	TOW HOOK	
2	F0808060100	1	LATCH D.28X117	
5	F0851486000	4	SPLIT PIN	
3	F0851497000	1	SPLIT PIN	
8	F0864180000	8	SCREW M14X30 UNI 5740	



Pos.	Code	Q.ty	Description	Notes
4	56170704	1	SUPPORT	
5	56170705	1	SUPPORT	
2	56375008	4	PIN	
1	59375009	1	TOW HOOK	
3	F0851486000	4	SPLIT PIN	
6	F0864180000	8	SCREW M14X30 UNI 5740	

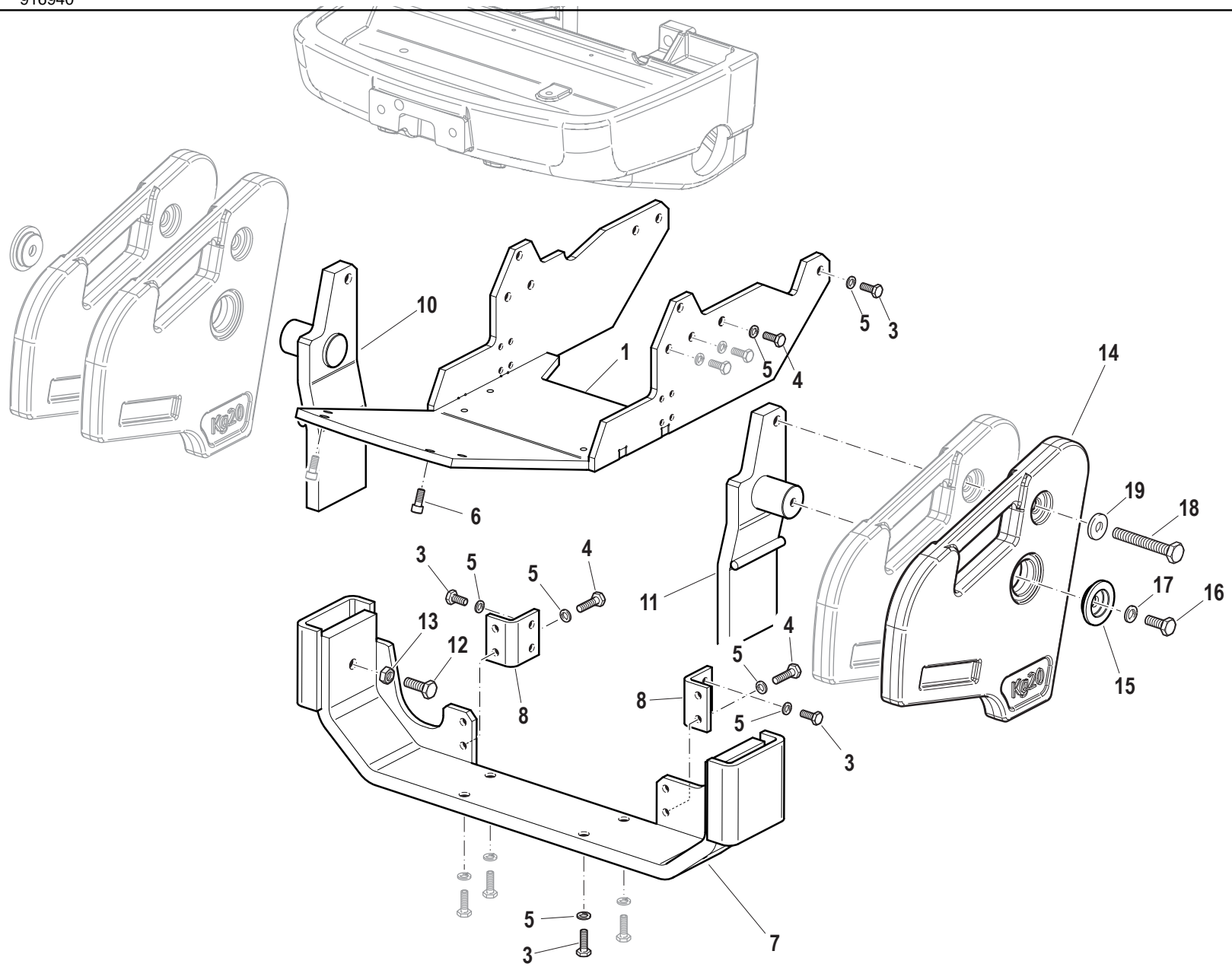




T.02.03.L70001\_0.ai

Pos.	Code	Q.ty	Description	Notes
1	59379363	1	TEL.SLIDER+GANCIO CEE VERN. *	
2	F0864222010	8	SCREW M14X1,5/40 5738	

# FRONT BALLASTS



Pos.	Code	Q.ty	Description	Notes
16	31111330	2	SCREW TE M14X30 UNI 5739 8G	
3	31112212	11	SCREW TE M10X35 UNI 5739	
4	31112219	10	SCREW TE M10X25 UNI 5739	
12	31112328	2	SCREW TE M14X35 UNI 5739	
18	31112446	2	SCREW TE M16X120UNI5737	
6	31152103	2	SCREW TCEI M10X25 UNI 5931	
13	31211140	2	NUT M14	
19	31411170	2	WASHER 17x30	
14	51179309	6	FRONT BALLAST	
2	56173110	1	SPACER	
15	56179308	2	WASHER	
8	56179310	2	FIXING BRACKET	
7	59079273	1	BALLAST CARRIER	
10	59079283	1	BRACKET	
11	59079306	1	BRACKET	
1	59079312	1	GUARD	
5	F0843755000	21	WASHER 10	
17	F0843921030	2	WASHER 14	

SERIAL  
END

916940

FRONT BALLASTS

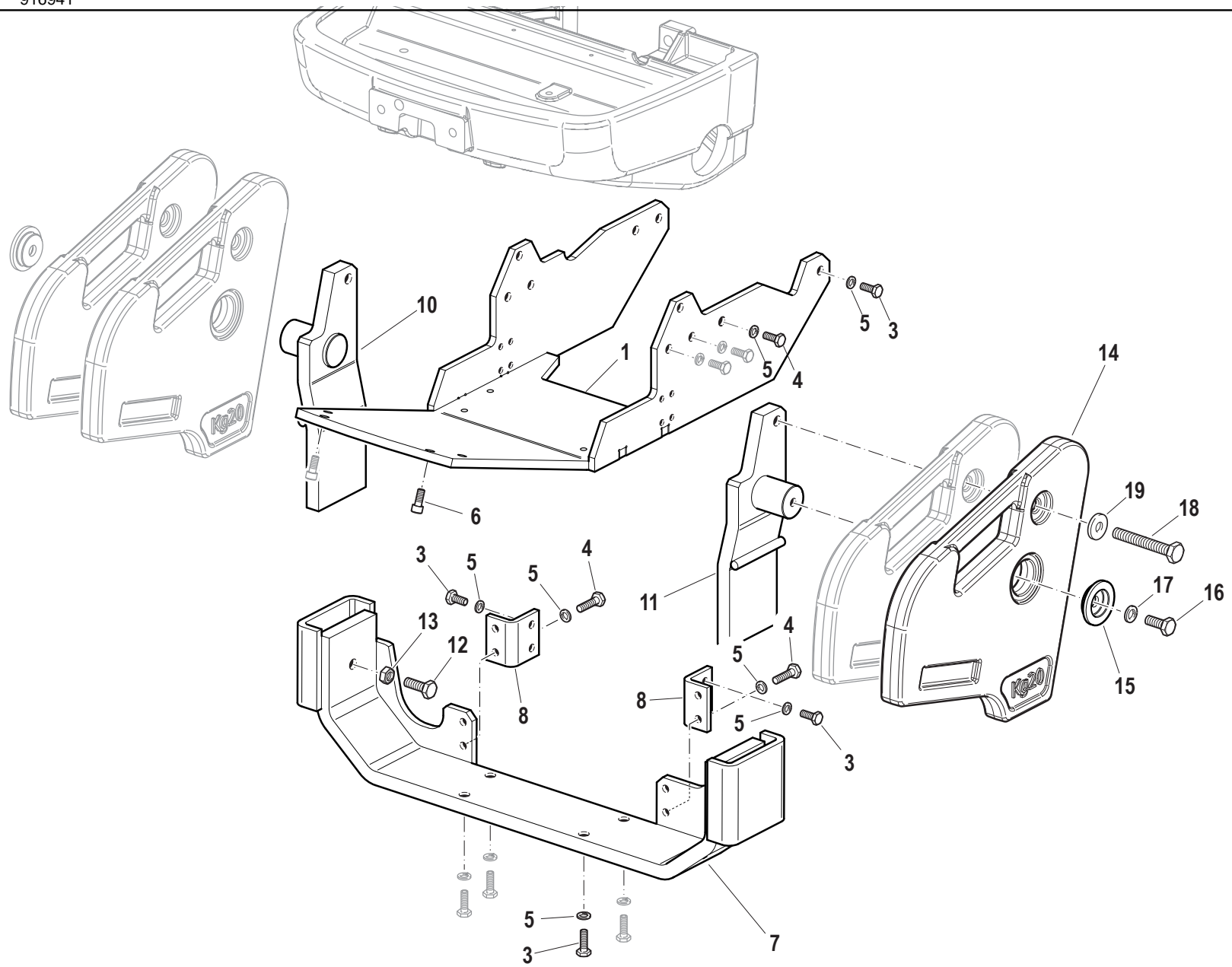
CODE REV

U.01.01.L70001\_0

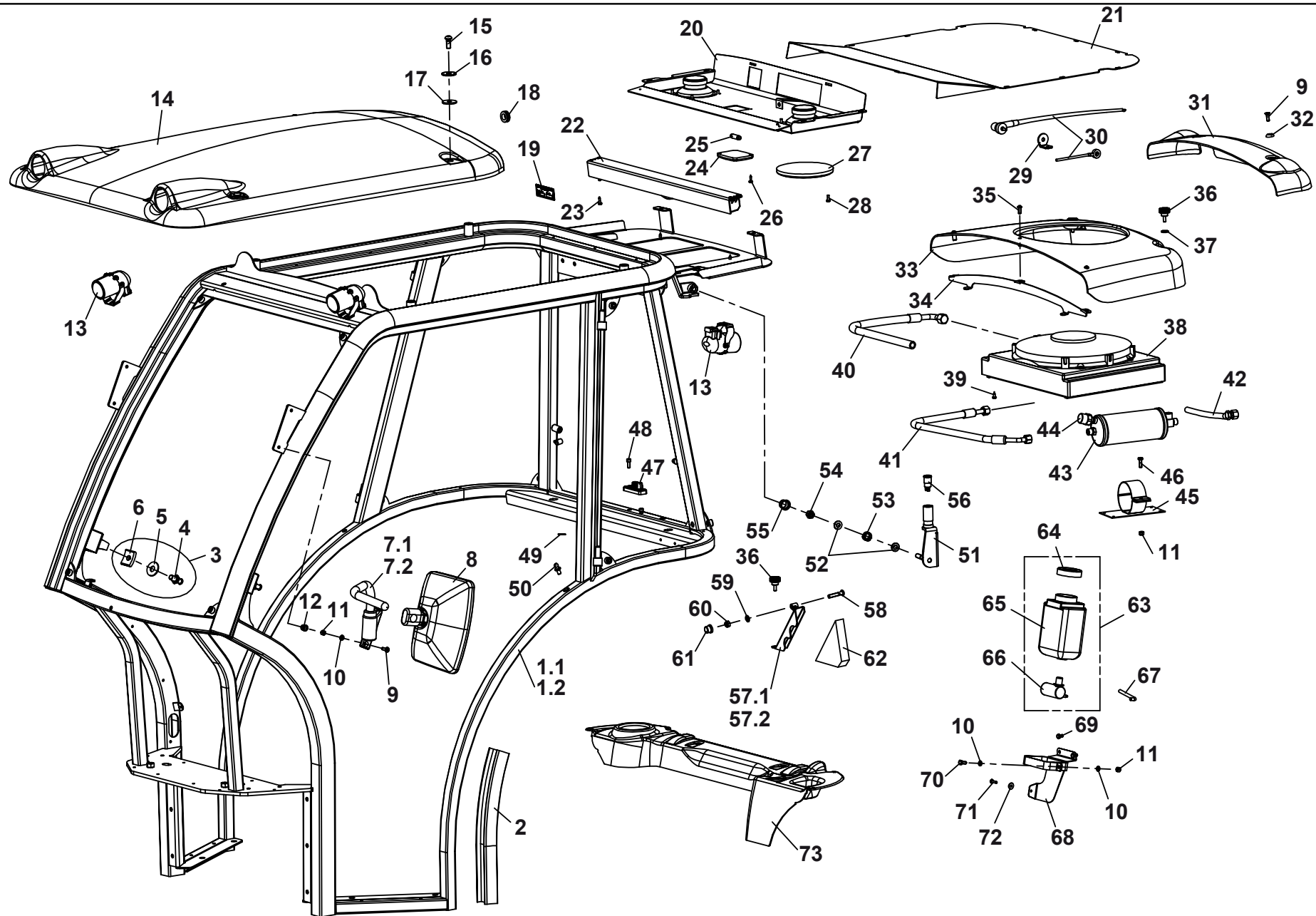
# FRONT BALLASTS

SERIAL START 916941

U.01.01.L70001\_1



Pos.	Code	Q.ty	Description	Notes
16	31111330	2	SCREW TE M14X30 UNI 5739 8G	
3	31112212	11	SCREW TE M10X35 UNI 5739	
4	31112219	11	SCREW TE M10X25 UNI 5739	
12	31112328	2	SCREW TE M14X35 UNI 5739	
18	31112446	2	SCREW TE M16X120UNI5737	
6	31152103	2	SCREW TCEI M10X25 UNI 5931	
13	31211140	2	NUT M14	
19	31411170	2	WASHER 17x30	
14	51179309	6	FRONT BALLAST	
15	56179308	2	WASHER	
8	561A0521	2	FIXING BRACKET	
10	59079283	1	BRACKET	
11	59079306	1	BRACKET	
7	590A0378	1	SUPP.ZAVORRE ANT.LAT.75	
1	590A0380	1	GUARD	
5	F0843755000	22	WASHER 10	
17	F0843921030	2	WASHER 14	



Pos.	Code	Q.ty	Description	Notes
46	31112093	1	SCREW TE M6X20	
11	31241060	6	HEXAGON SELFLOCK NUT M6	
60	31241081	2	HEXAGON SELFLOCK NUT	
10	31411064	6	WASHER 6,4x12,5	
52	31411105	2	WASHER 10,5x21	
8	59900006	2	SUMP	
65	59900009	1	TANK	
64	59900010	1	TANK COVER	
66	59900011	1	ELECTRIC PUMP	
5	59900027	2	SHIM M12X36	
6	59900028	2	SMALL PLATE	
4	59900034	2	PIN	
12	59900037	4	NUT COVER	
56	59900047	1	SOCKET	
17	59900074	4	WASHER	
50	59900106	4	JOINT	
55	59900108	1	NUT COVER	
61	59900109	2	NUT COVER	
63	59900389	1	TANK	
49	59900390	4	ALUMINIUM GASKET WASHER M12X18	
59	59900393	2	ELASTIC WASHER M8 D.17MM	
70	59900396	1	HEXAGON SCREW M6X15	
37	59900398	2	WASHER M6X18	
16	59900404	4	WASHER FOR SUPPORTING M10X36	
24	59900459	1	PLAFONIERA PER VENTILAZIONE	
26	59900460	2	RIBBED SCREW 3,5X16	
39	59900468	4	RIBBED SCREW 4,8X13	
71	59900516	1	RIBBED SCREW 4,8X16	
72	59900561	1	WASHER	
3	59900564	2	KIT	
47	59900565	1	STOP	
48	59900566	2	SCREW	
19	59900567	1	PLATE	
18	59900576	1	PLUG	

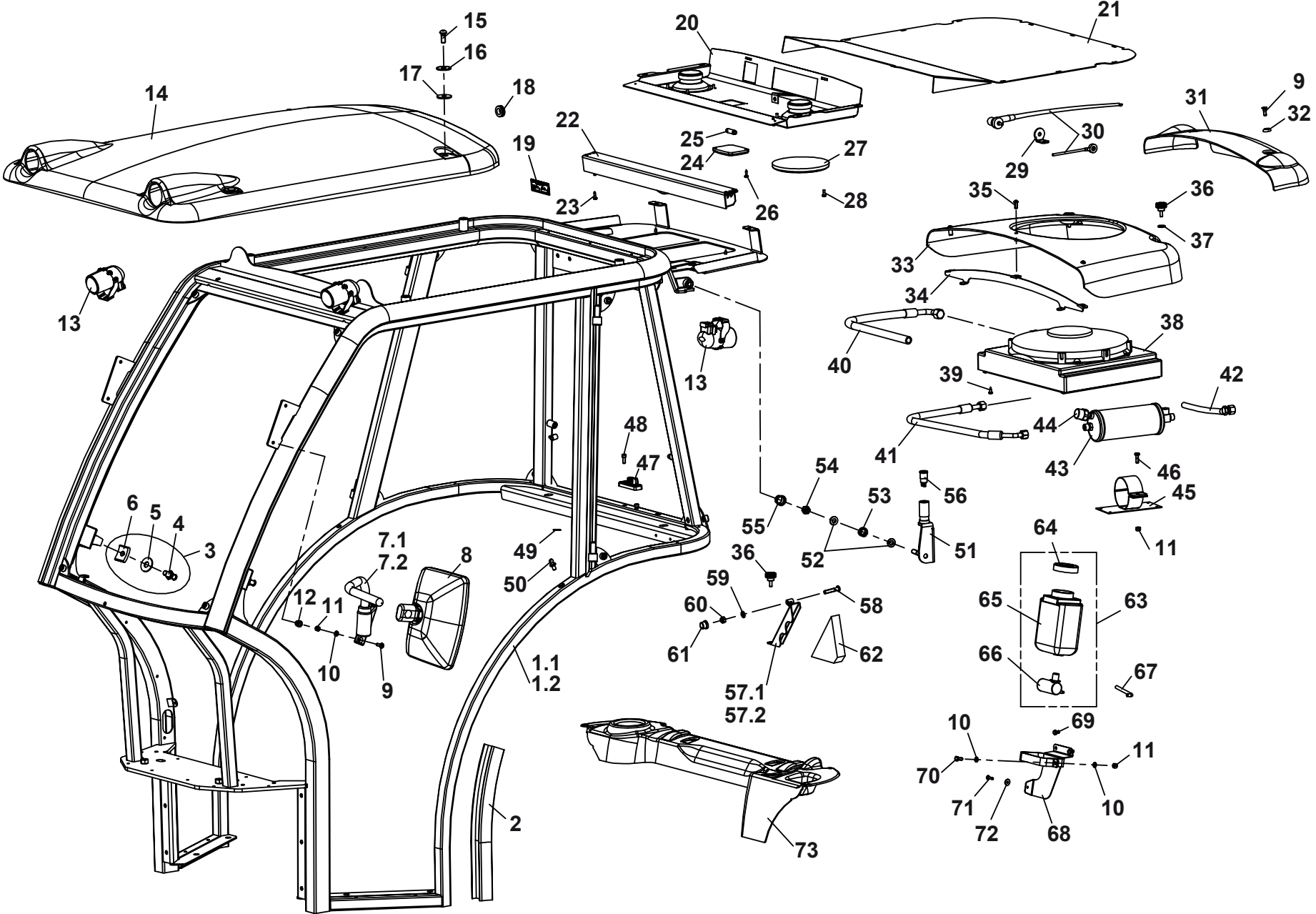
SERIAL

**CAB BF7 - FRAME**

CODE REV

**Y.01.01.L70001\_0**





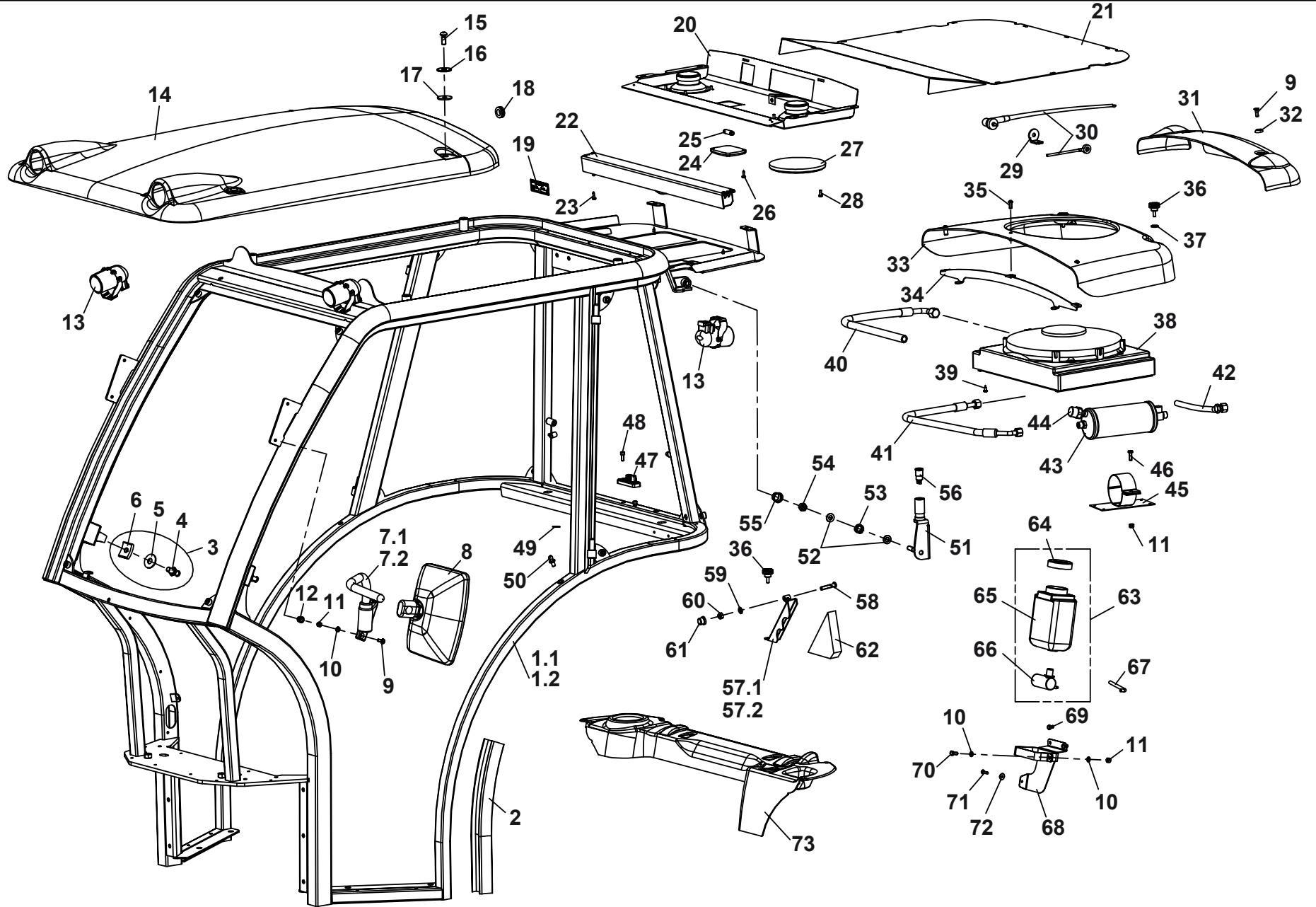
Pos.	Code	Q.ty	Description	Notes
9	59900644	6	SCREW	
25	59900668	1	LAMP	
22	59900680	1	ROLL-UP SUN-SHADE	
27	59900702	2	GRILLE	
36	59900725	4	KNOB	
13	59900727	4	HEADLIGHT	
30	59900731	1	AERIAL	
35	59900750	3	SCREW	
53	59900782	1	SPRING	
58	59900786	2	SCREW	
67	59900787	1	PIPE	
2	59905004	1	MUDGUARD GASKET	
28	59905006	8	RIBBED SCREW	
33	59905007	1	COVER	
34	59905008	1	SUPPORT	
38	59905009	1	CONDENSER	
40	59905010	1	PIPE	
41	59905011	1	PIPE	
42	59905012	1	PIPE	
43	59905013	1	FILTER	
44	59905014	1	PRESSURE SWITCH	
45	59905015	1	RETAINER	
62	59905018	1	FOAM RUBBER	
68	59905019	1	BRACKET	
69	59905020	2	SCREW	
1.1	59905089	1	TELAIO CPL.A.C BF7(701256899)	
1.2	59905090	1	TELAIO CPL.RIS.BF7(701256900)	
7.1	59905091	1	ROD	
7.2	59905092	1	ROD	
14	59905093	1	ROOF	
15	59905094	4	SCREW	
20	59905095	1	INNER CAB ROOF PANEL	
21	59905096	1	INNER CAB ROOF PANEL	
29	59905098	1	FIXING BRACKET	

SERIAL

**CAB BF7 - FRAME**

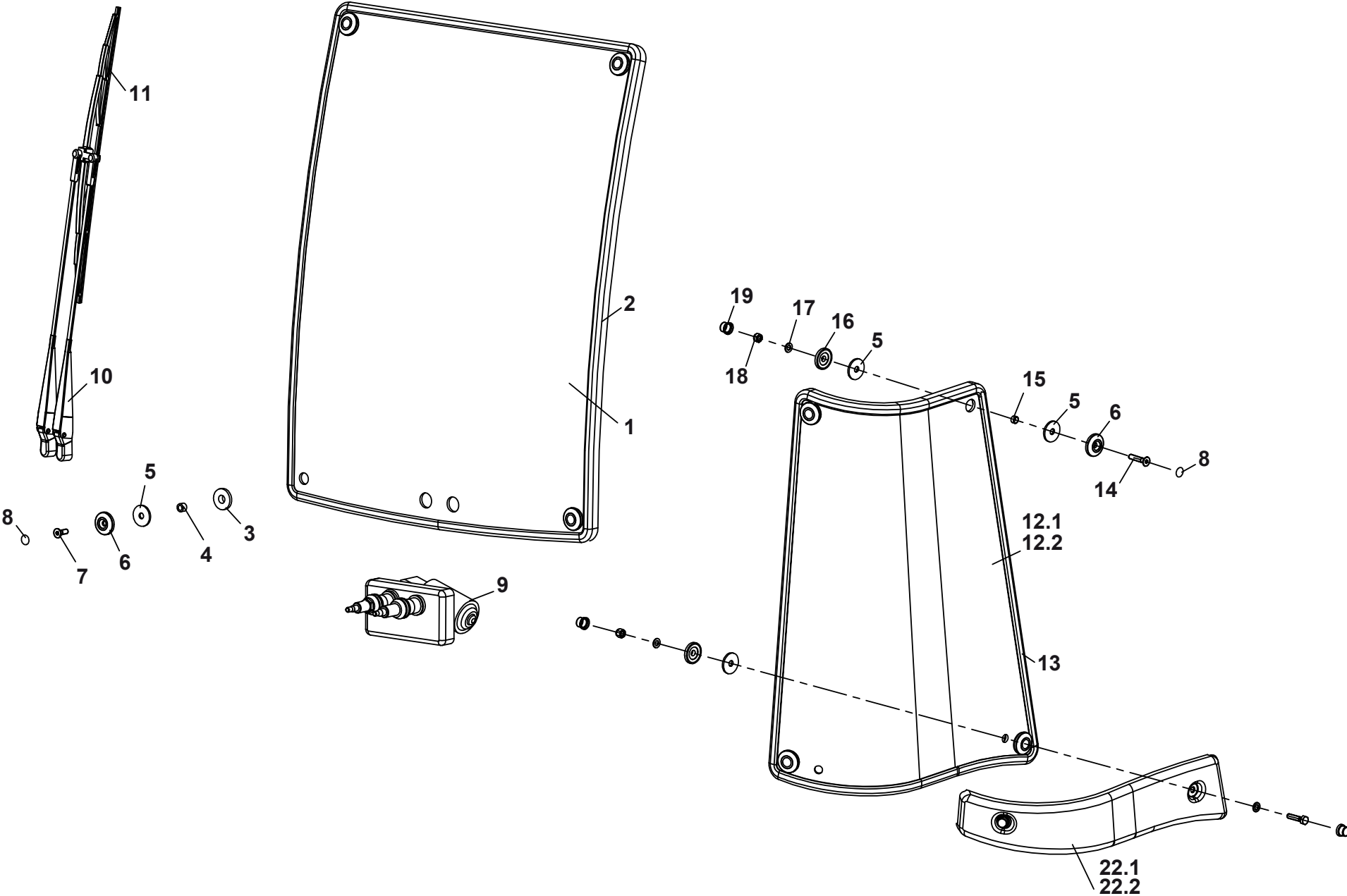
CODE REV

**Y.01.01.L70001\_0**

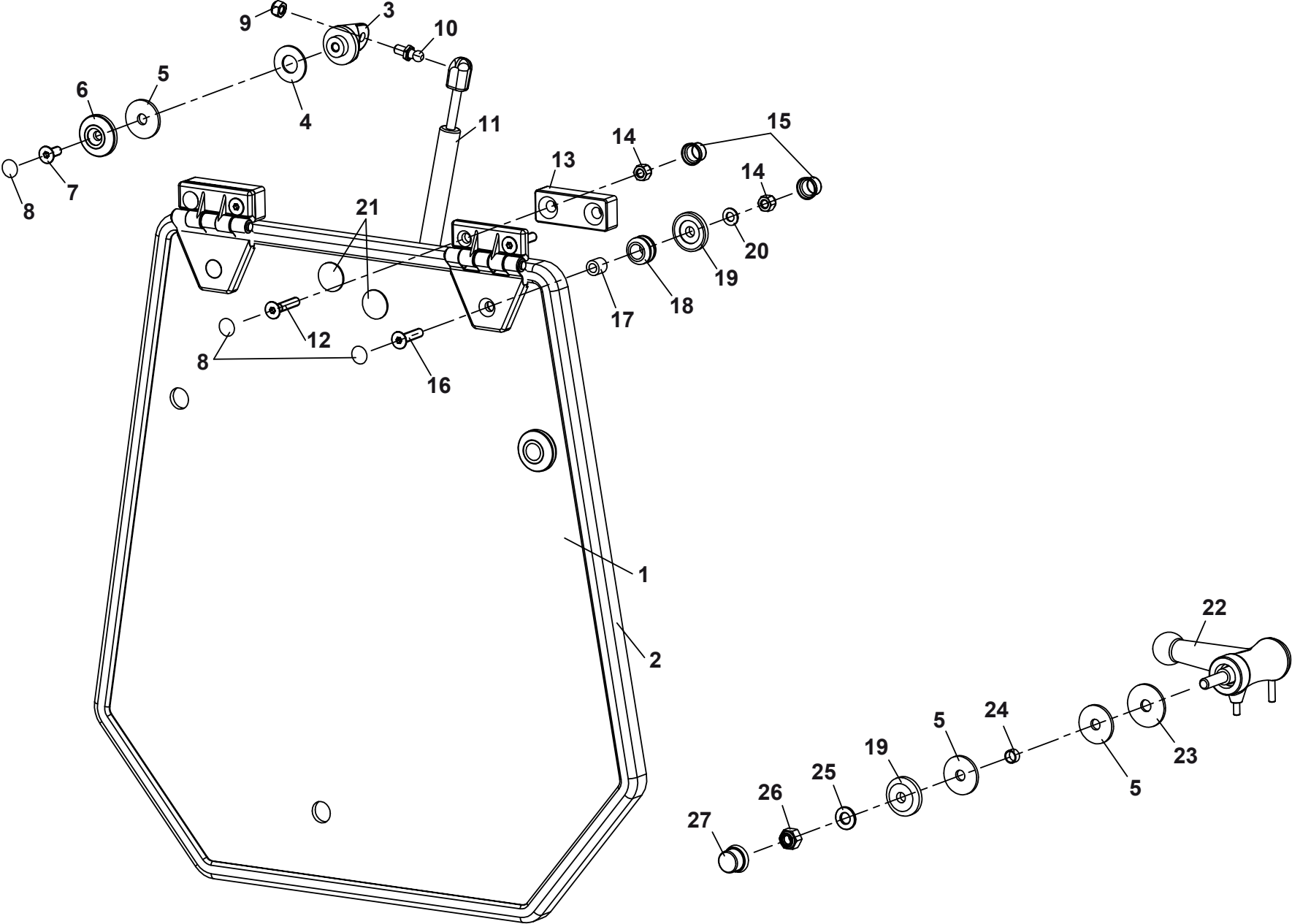


Pos.	Code	Q.ty	Description	Notes
31	59905099	1	COVER	
32	59905100	2	WASHER	
51	59905101	1	SUPPORT	
54	59905102	1	SELFLOCK NUT M10	
57/01	59905103	1	TRIANG.PASSATUBI SX(703256940)	
57/02	59905104	1	TRIANG.PASSATUBI DX(703256941)	

CAB BF7 - FRONT GLASS

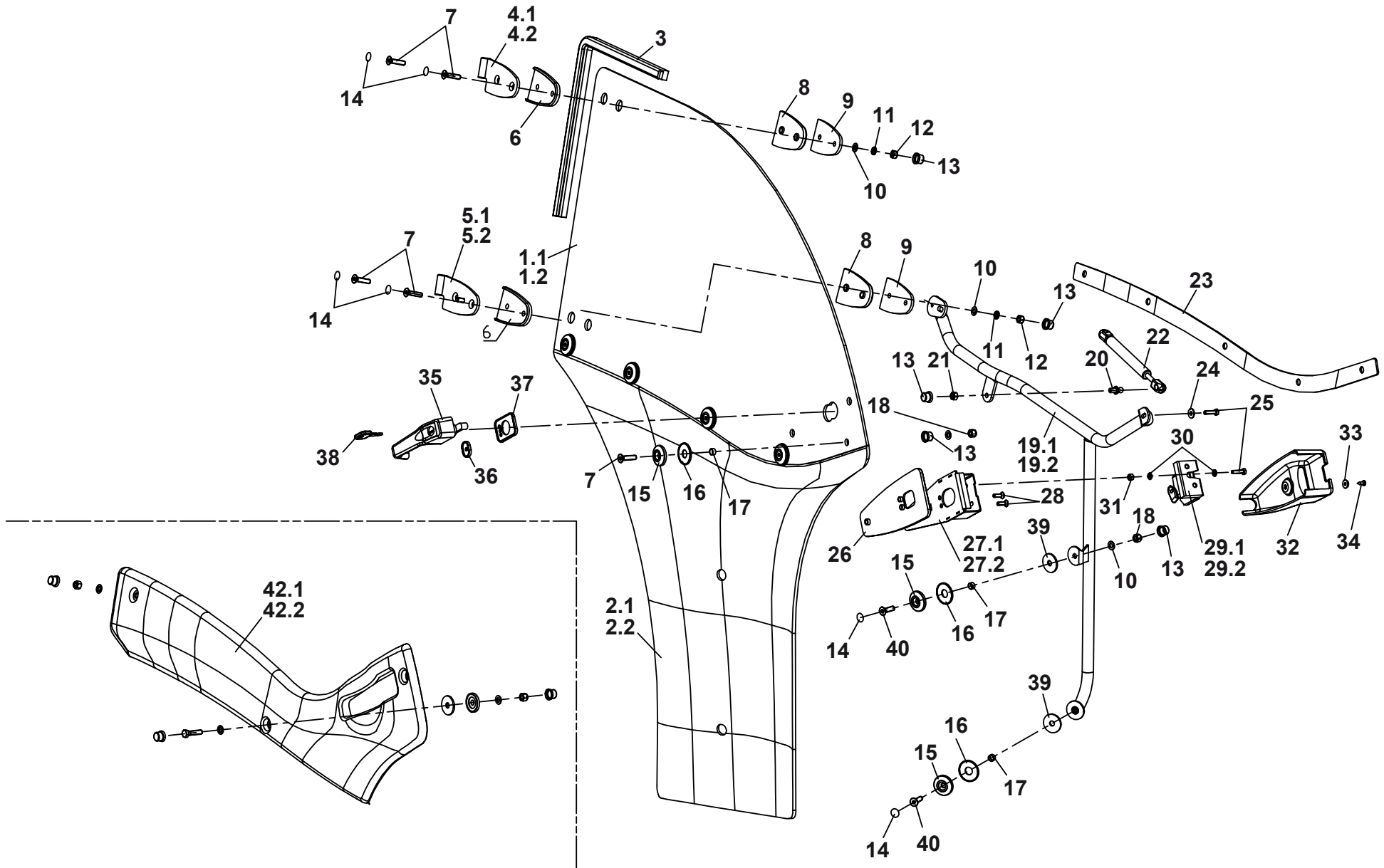


Pos.	Code	Q.ty	Description	Notes
18	31241080	4	HEXAGON SELFLOCK NUT M8	
17	31411084	4	WASHER 8,4x17	
22.2	57378891V	1	FASCIA LAT.POST.SX(78891)VERDE	
22.1	57378895V	1	FASCIA LAT.POST.DX(78895)VERDE	
5	59900074	12	WASHER	
16	59900102	4	PLASTIC WASHER 10x36/8	
15	59900103	4	RING	
19	59900109	4	NUT COVER	
13	59900112	1	GLASS GASKET	
2	59900112	3	GLASS GASKET	
8	59900604	8	SCREW COVER	
14	59900625	4	SCREW	
6	59900799	8	BOSS	
4	59900802	4	SPACER	
11	59900817	1	WIPER BLADE	
3	59905021	4	RUBBER WASHER	
7	59905022	4	SCREW	
9	59905023	1	WIPER MOTOR	
10	59905024	1	ARM	
1	59905105	1	FRONT GLASS	
12.1	59905106	1	RH SIDE GLASS	
12.2	59905107	1	LH SIDE GLASS	
20	59905108	1	VET.AN.CON TERG.BF7(706050704)	
21.1	59905109	1	VET.LA.DX GUARN.BF7(706050707)	
21.2	59905110	1	VET.LA.SX GUARN.BF7(706050708)	



Pos.	Code	Q.ty	Description	Notes
14	31241080	6	HEXAGON SELFLOCK NUT M8	
10	31241081	1	HEXAGON SELFLOCK NUT	
25	31241100	1	SELFLOCK HEXAGON NUT M10	
20	31411084	2	WASHER 8,4x17	
24	31411105	1	WASHER 10,5x21	
5	59900074	3	WASHER	
21	59900094	1	HANDLE	
3	59900101	1	CONNECTION	
19	59900102	3	PLASTIC WASHER 10x36/8	
23	59900103	1	RING	
9	59900106	1	JOINT	
26	59900108	1	NUT COVER	
2	59900112	1	GLASS GASKET	
17	59900138	2	NYLON RING HINGE 14X13	
22	59900404	1	WASHER FOR SUPPORTING M10X36	
27	59900576	1	PLUG	
15	59900604	6	SCREW COVER	
8	59900604	7	SCREW COVER	
13	59900621	2	SHIM	
18	59900623	2	RUBBER RING	
16	59900624	2	SCREW	
12	59900625	4	SCREW	
7	59900628	1	SCREW	
4	59900629	1	RUBBER WASHER	
6	59900799	1	BOSS	
11	59905031	1	GAS SPRING	
1	59905111	1	REAR GLASS	
28	59905112	1	REAR GLASS	





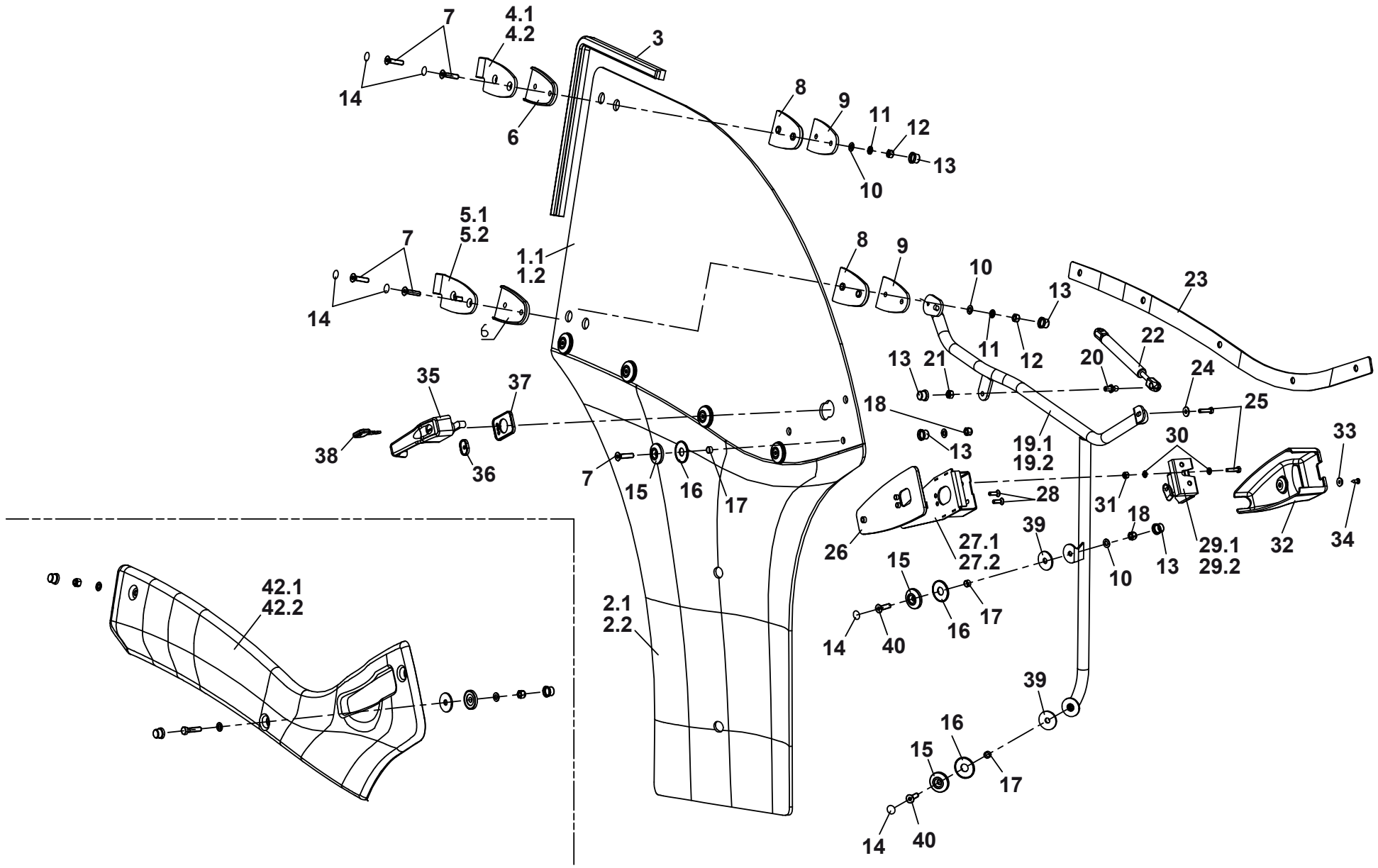
Pos.	Code	Q.ty	Description	Notes
12	31211060	4	HEXAGONAL NUT M8	
31	31241060	2	HEXAGON SELFLOCK NUT M6	
18	31241080	6	HEXAGON SELFLOCK NUT M8	
20	31241081	1	HEXAGON SELFLOCK NUT	
30	31411064	4	WASHER 6,4x12,5	
10	31411084	10	WASHER 8,4x17	
42.2	57378883V	1	FASCIA LAT.ANT.SX(78883)VERDE*	
42.1	57378887V	1	FASCIA LAT.ANT.DX(78887)VERDE*	
39	59900074	2	WASHER	
17	59900103	7	RING	
21	59900106	1	JOINT	
13	59900109	11	NUT COVER	
11	59900117	4	WASHER 11,4 M8	
24	59900398	1	WASHER M6X18	
6	59900425	2	GASKET	
8	59900426	2	GASKET	
25	59900432	3	HEXAGON HEAD SCREW	
33	59900561	1	WASHER	
14	59900604	6	SCREW COVER	
7	59900624	9	SCREW	
22	59900640	1	SPRING	
26	59900641	1	S/BASE GOMMA SERR.T5 628014631	
28	59900644	2	SCREW	
29.2	59900645	1	LH LOCK SMALL BLOCK	
29.1	59900646	1	RH LOCK SMALL BLOCK	
32	59900647	1	LOCK COVER	
35	59900649	1	DOOR HANDLE	
36	59900650	1	GASKET	
37	59900651	1	GASKET	
38	59900652	1	KEY	
15	59900799	7	BOSS	
34	59905006	1	RIBBED SCREW	
2.1	59905035	1	CAB DOOR RIGHT	
2.2	59905036	1	CAB DOOR - LEFT	

SERIAL

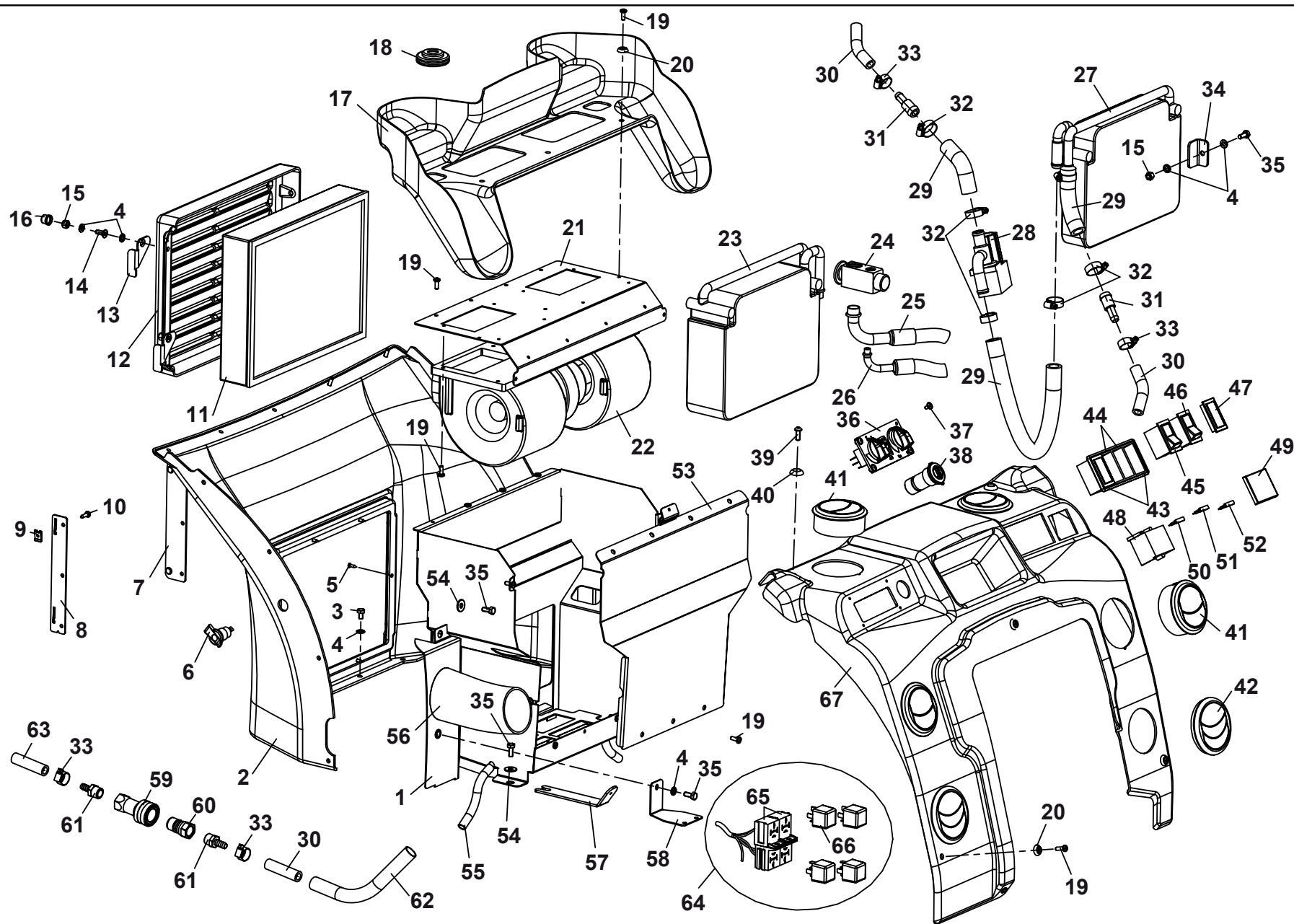
**CAB BF7 - DOOR**

CODE REV

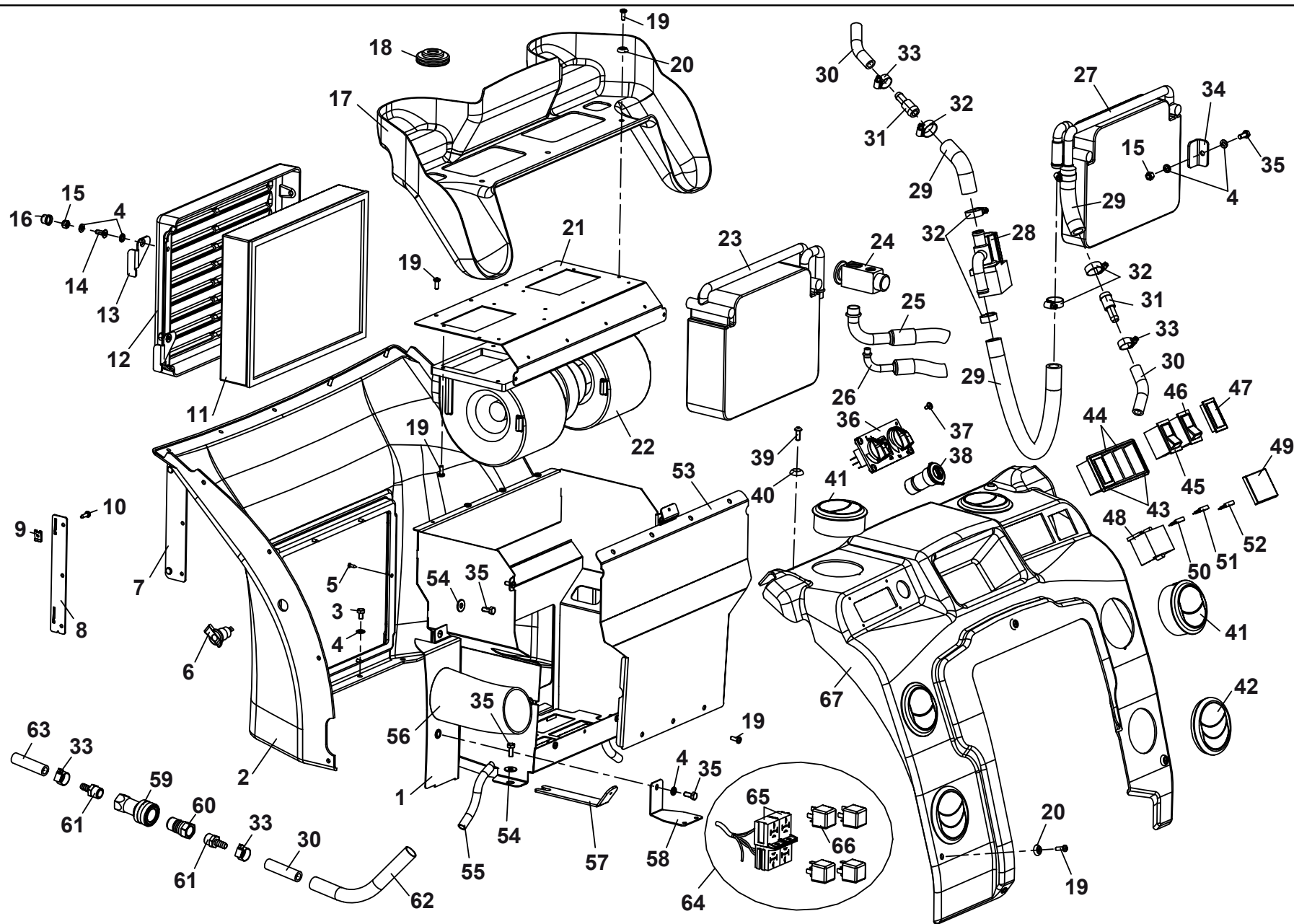
**Y.01.04.L70001\_0**



Pos.	Code	Q.ty	Description	Notes
3	59905037	1	GASKET	
4.1	59905038	1	RH HINGE	
4.2	59905039	1	RH HINGE	
5.1	59905040	1	RH HINGE	
5.2	59905041	1	RH HINGE	
9	59905042	2	PLATE	
16	59905043	7	RUBBER WASHER	
23	59905046	1	RIGA COL.VETRI POR.(703246856)	
27.1	59905047	1	SUPPORT	
27.2	59905048	1	SUPPORT	
1.1	59905113	1	RH DOORGLASS	
1.2	59905114	1	LH DOORGLASS	
19.1	59905115	1	DOOR HANDLE	
19.2	59905116	1	DOOR HANDLE	
41.1	59905117	1	CAB DOOR RIGHT	
41.2	59905118	1	CAB DOOR - LEFT	
40	F0862728000	2	SCREW M8x30 UNI 5933	

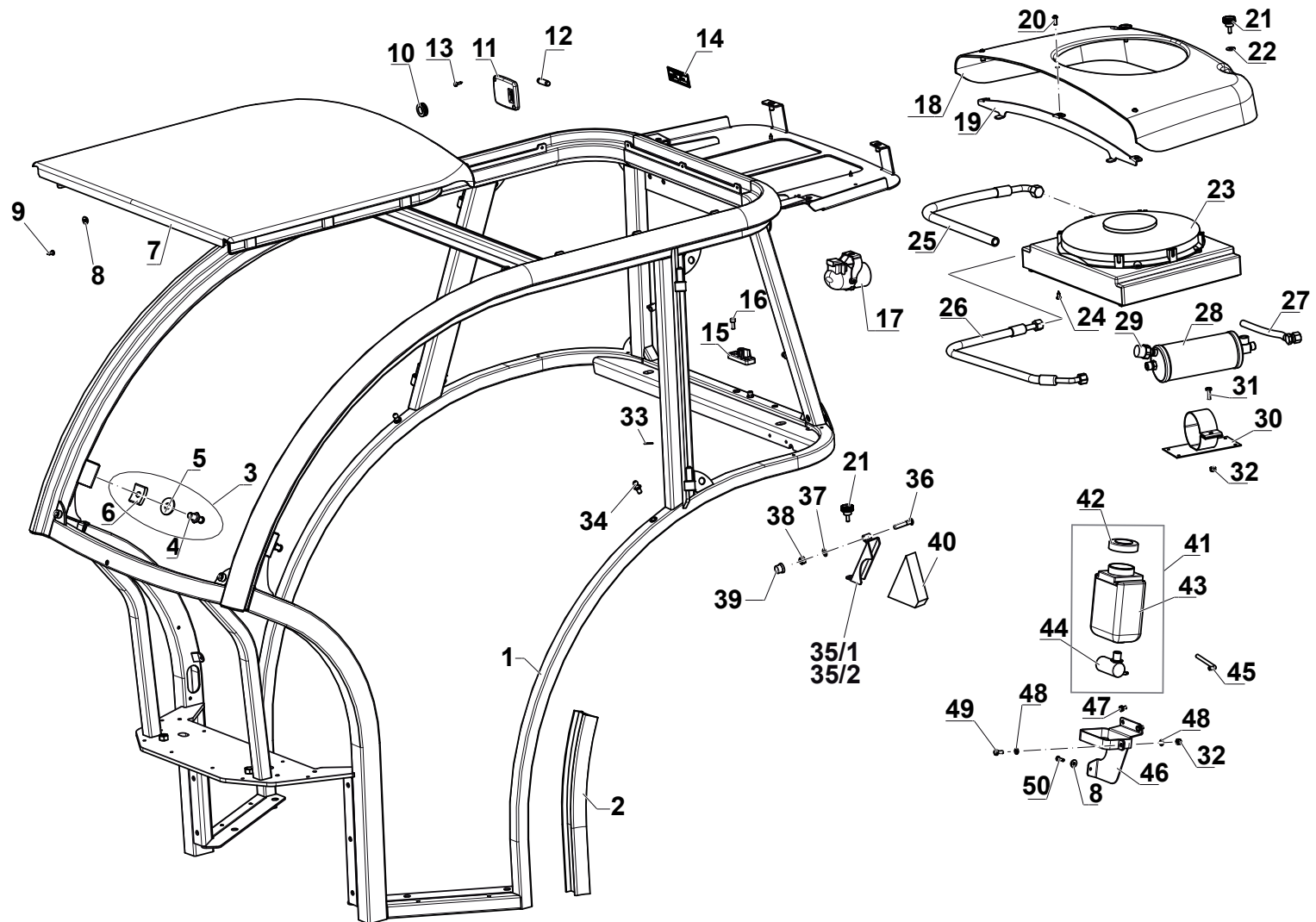


Pos.	Code	Q.ty	Description	Notes
15	31241060	4	HEXAGON SELFLOCK NUT M6	
4	31411064	14	WASHER 6,4x12,5	
59	59900018	2	CONNECTION	
60	59900019	2	CONNECTION	
61	59900020	4	PIPE FITTING	
16	59900037	2	NUT COVER	
43	59900051	2	SWITCH SUPPORT	
44	59900052	2	SWITCH SUPPORT	
46	59900053	1	SWITCH	
45	59900054	1	SWITCH	
49	59900057	1	COVER	
48	59900058	1	FUSE-HOLDER	
30	59900069	1	PIPE	
63	59900069	1	PIPE	
33	59900071	6	PIPE CONNECTION	
35	59900396	6	HEXAGON SCREW M6X15	
54	59900398	4	WASHER M6X18	
42	59900463	2	TONGUE	
37	59900467	4	RIBBED SCREW	
18	59900469	2	PLUG	
20	59900561	6	WASHER	
50	59900665	3	FUSE/LOCK	
52	59900666	1	FUSE/LOCK	
51	59900667	2	FUSE/LOCK	
55	59900689	1	RUBBER HOSE	
5	59900699	6	SCREW	
62	59900704	1	SHEATH	
39	59900750	2	SCREW	
19	59905006	31	RIBBED SCREW	
26	59905012	1	PIPE	
3	59905020	7	SCREW	
1	59905052	1	BOX	
2	59905053	1	DIVISION	
6	59905055	1	SOCKET	



Pos.	Code	Q.ty	Description	Notes
7	59905056	1	RH HINGE	
8	59905057	1	SMALL BLOCK	
9	59905058	2	STOP	
10	59905059	2	RIBBED SCREW	
11	59905060	1	FILTER	
12	59905061	1	COVER	
13	59905062	2	LEVER	
17	59905063	1	DUCT	
21	59905065	1	FAN BEARING	
22	59905066	1	ELECTRO-FAN	
23	59905067	1	VAPORIZER	
24	59905068	1	VALVE	
25	59905069	1	PIPE	
27	59905071	1	RADIATOR	
28	59905072	1	RADIATOR	
29	59905073	1	PIPE	
31	59905074	2	REDUCTION	
32	59905075	6	CLAMP	
34	59905076	2	FIXING BRACKET	
36	59905077	1	CONTROL	
38	59905078	1	SOCKET	
40	59905079	2	WASHER	
41	59905080	4	PIPE UNION	
47	59905081	2	PLUG	
53	59905082	1	COVER	
56	59905083	1	PIPE	
57	59905084	1	FIXING BRACKET	
58	59905085	1	FIXING BRACKET	
64	59905086	1	ELECTRICAL SYSTEM	
65	59905087	4	ZOCCOLO RELE' (622032213)	
66	59905088	4	RELAY	
67	59905315	1	PLANCIA CABINA (627246870) *	





Pos.	Code	Q.ty	Description	Notes
31	31112093	1	SCREW TE M6X20	
32	31241060	2	HEXAGON SELFLOCK NUT M6	
55	31241060	6	HEXAGON SELFLOCK NUT M6	
38	31241081	2	HEXAGON SELFLOCK NUT	
48	31411064	2	WASHER 6,4x12,5	
54	31411064	6	WASHER 6,4x12,5	
52	59900006	2	SUMP	
43	59900009	1	TANK	
42	59900010	1	TANK COVER	
44	59900011	1	ELECTRIC PUMP	
5	59900027	2	SHIM M12X36	
6	59900028	2	SMALL PLATE	
4	59900034	2	PIN	
56	59900037	4	NUT COVER	
34	59900106	3	JOINT	
39	59900109	2	NUT COVER	
41	59900389	1	TANK	
33	59900390	4	ALUMINIUM GASKET WASHER M12X18	
37	59900393	2	ELASTIC WASHER M8 D.17MM	
49	59900396	1	HEXAGON SCREW M6X15	
22	59900398	2	WASHER M6X18	
11	59900459	1	PLAFONIERA PER VENTILAZIONE	
13	59900460	2	RIBBED SCREW 3,5X16	
24	59900468	4	RIBBED SCREW 4,8X13	
50	59900516	1	RIBBED SCREW 4,8X16	
8	59900561	13	WASHER	
3	59900564	2	KIT	
15	59900565	1	STOP	
16	59900566	2	SCREW	
14	59900567	1	PLATE	
10	59900576	1	PLUG	
53	59900644	6	SCREW	
12	59900668	1	LAMP	
21	59900725	3	KNOB	

SERIAL

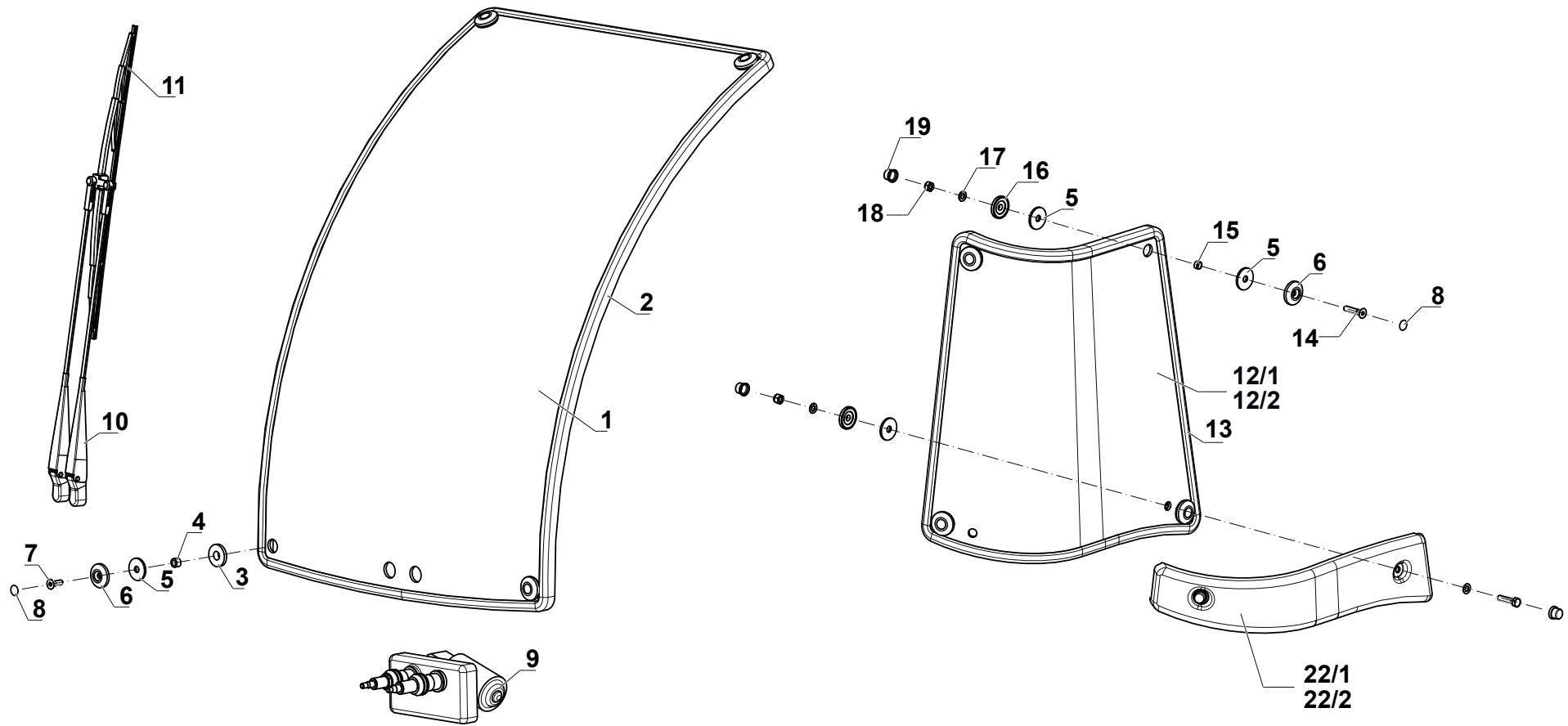
**COMPACT CAB BF6 - FRAME**

CODE REV

**Y.02.01.L70001\_0**

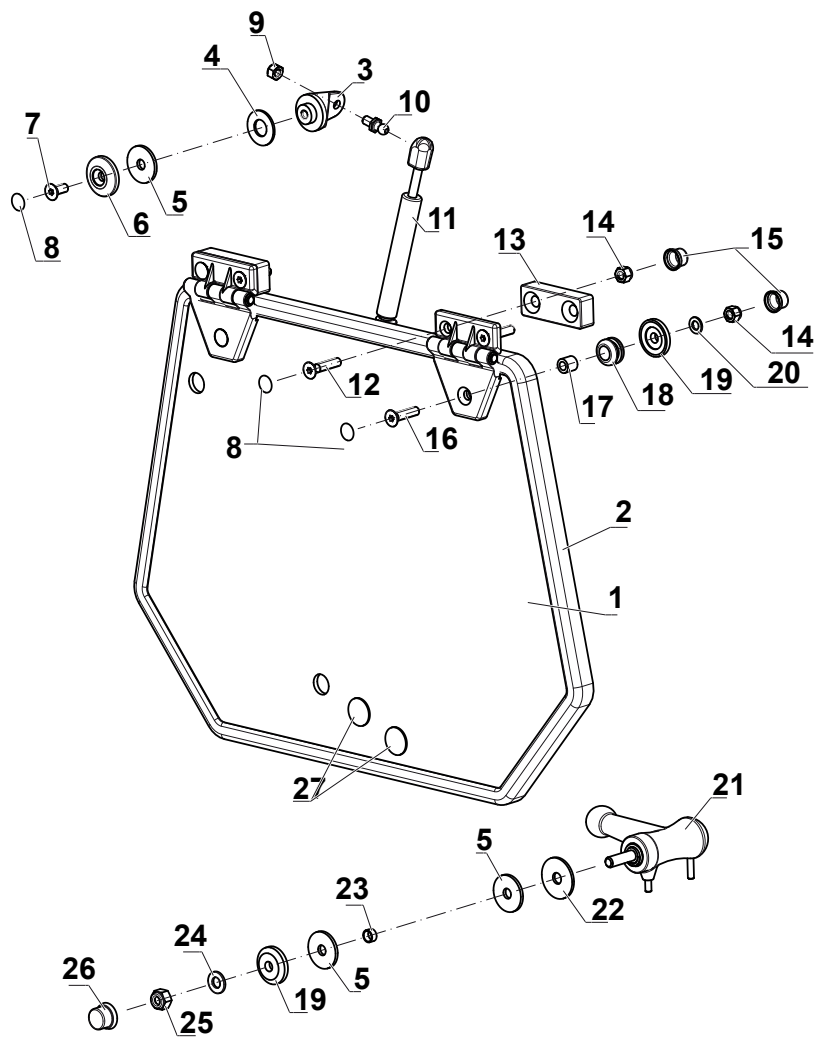


Pos.	Code	Q.ty	Description	Notes
17	59900727	2	HEADLIGHT	
20	59900750	3	SCREW	
36	59900786	2	SCREW	
45	59900787	1	PIPE	
1	59905003	1	CAB FRAME	
2	59905004	1	MUDGUARD GASKET	
7	59905005	1	ROOF	
9	59905006	12	RIBBED SCREW	
18	59905007	1	COVER	
19	59905008	1	SUPPORT	
23	59905009	1	CONDENSER	
25	59905010	1	PIPE	
26	59905011	1	PIPE	
27	59905012	1	PIPE	
28	59905013	1	FILTER	
29	59905014	1	PRESSURE SWITCH	
30	59905015	1	RETAINER	
35/01	59905016	1	TRIANGLE	
35/02	59905017	1	TRIANGLE	
40	59905018	2	FOAM RUBBER	
46	59905019	1	BRACKET	
47	59905020	2	SCREW	
51	59905091	1	ROD	



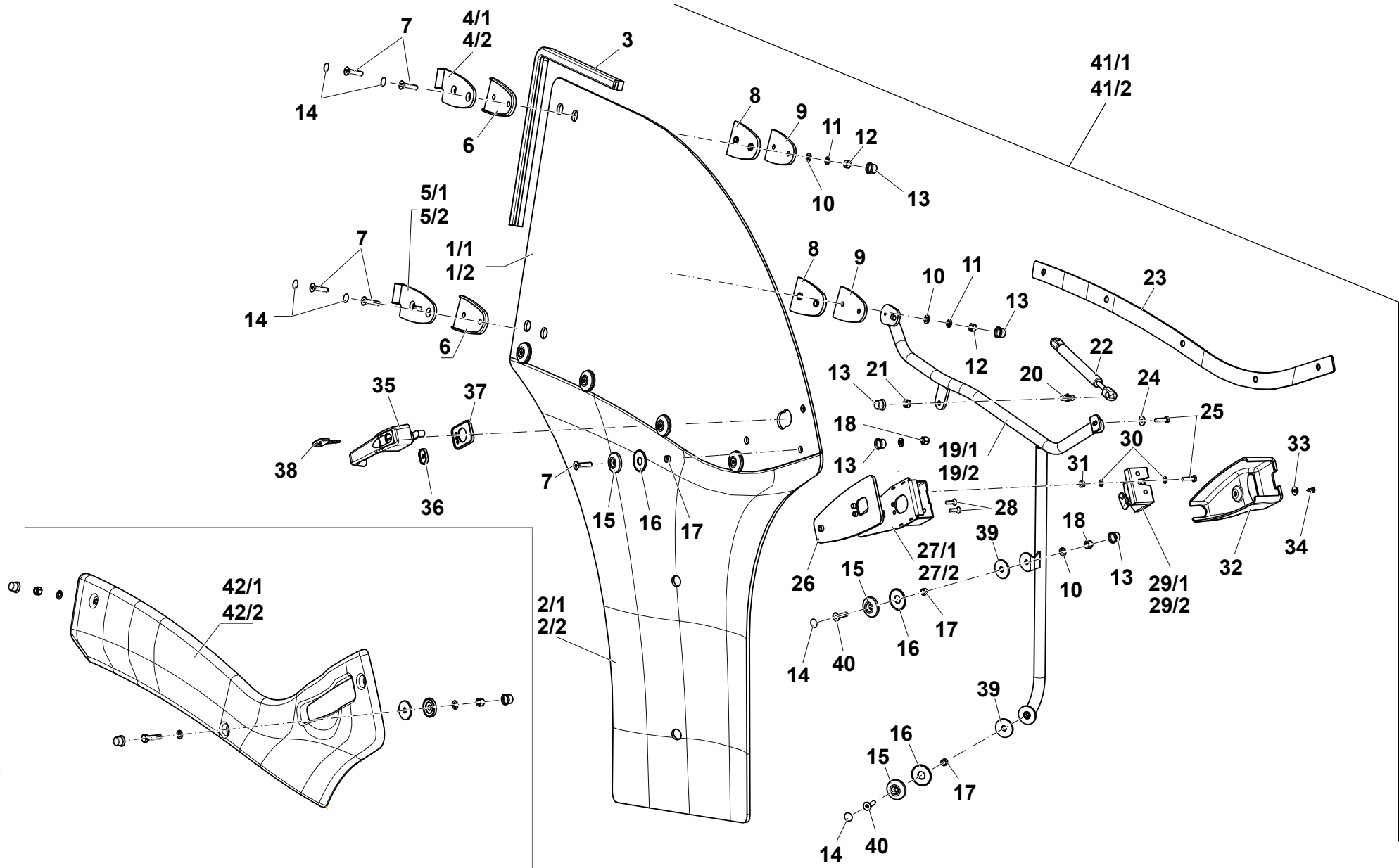
Pos.	Code	Q.ty	Description	Notes
18	31241080	4	HEXAGON SELFLOCK NUT M8	
17	31411084	4	WASHER 8,4x17	
22.2	57378891V	1	FASCIA LAT.POST.SX(78891)VERDE	
22.1	57378895V	1	FASCIA LAT.POST.DX(78895)VERDE	
5	59900074	12	WASHER	
16	59900102	4	PLASTIC WASHER 10x36/8	
15	59900103	4	RING	
19	59900109	4	NUT COVER	
13	59900112	1	GLASS GASKET	
2	59900112	1	GLASS GASKET	
8	59900604	8	SCREW COVER	
14	59900625	4	SCREW	
6	59900799	8	BOSS	
4	59900802	4	SPACER	
11	59900817	1	WIPER BLADE	
1	59905000	1	FRONT GLASS	
3	59905021	4	RUBBER WASHER	
7	59905022	4	SCREW	
9	59905023	1	WIPER MOTOR	
10	59905024	1	ARM	
12.1	59905025	1	RH SIDE GLASS	
12.2	59905026	1	LH SIDE GLASS	
20	59905027	1	FRONT GLASS	
21.1	59905028	1	RH SIDE GLASS	
21.2	59905029	1	LH SIDE GLASS	

COMPACT CAB BF6 - REAR GLASS



Pos.	Code	Q.ty	Description	Notes
14	31241080	6	HEXAGON SELFLOCK NUT M8	
10	31241081	1	HEXAGON SELFLOCK NUT	
25	31241100	1	SELFLOCK HEXAGON NUT M10	
20	31411084	2	WASHER 8,4x17	
24	31411105	1	WASHER 10,5x21	
5	59900074	3	WASHER	
21	59900094	1	HANDLE	
3	59900101	1	CONNECTION	
19	59900102	3	PLASTIC WASHER 10x36/8	
23	59900103	1	RING	
9	59900106	1	JOINT	
26	59900108	1	NUT COVER	
2	59900112	1	GLASS GASKET	
17	59900138	2	NYLON RING HINGE 14X13	
22	59900404	1	WASHER FOR SUPPORTING M10X36	
27	59900576	1	PLUG	
15	59900604	6	SCREW COVER	
8	59900604	7	SCREW COVER	
13	59900621	2	SHIM	
18	59900623	2	RUBBER RING	
16	59900624	2	SCREW	
12	59900625	4	SCREW	
7	59900628	1	SCREW	
4	59900629	1	RUBBER WASHER	
6	59900799	1	BOSS	
1	59905030	1	REAR GLASS	
11	59905031	1	GAS SPRING	
28	59905032	1	REAR GLASS	





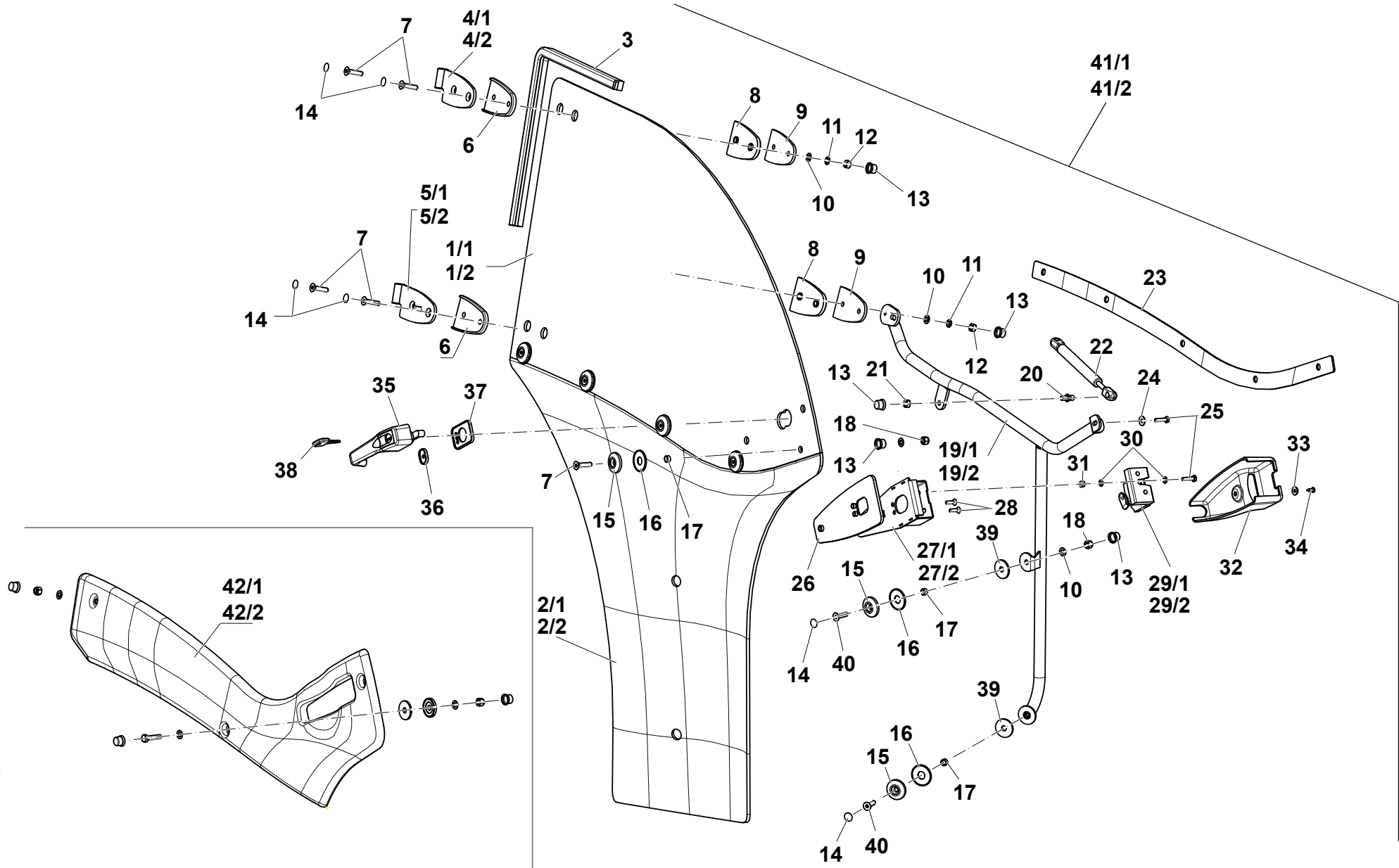
Pos.	Code	Q.ty	Description	Notes
12	31211060	4	HEXAGONAL NUT M8	
31	31241060	2	HEXAGON SELFLOCK NUT M6	
18	31241080	6	HEXAGON SELFLOCK NUT M8	
20	31241081	1	HEXAGON SELFLOCK NUT	
30	31411064	4	WASHER 6,4x12,5	
10	31411084	10	WASHER 8,4x17	
42/02	57378883V	1	FASCIA LAT.ANT.SX(78883)VERDE*	
42/01	57378887V	1	FASCIA LAT.ANT.DX(78887)VERDE*	
39	59900074	2	WASHER	
17	59900103	7	RING	
21	59900106	1	JOINT	
13	59900109	11	NUT COVER	
11	59900117	4	WASHER 11,4 M8	
24	59900398	1	WASHER M6X18	
6	59900425	2	GASKET	
8	59900426	2	GASKET	
25	59900432	3	HEXAGON HEAD SCREW	
33	59900561	1	WASHER	
14	59900604	6	SCREW COVER	
7	59900624	9	SCREW	
22	59900640	1	SPRING	
26	59900641	1	S/BASE GOMMA SERR.T5 628014631	
28	59900644	2	SCREW	
29.2	59900645	1	LH LOCK SMALL BLOCK	
29.1	59900646	1	RH LOCK SMALL BLOCK	
32	59900647	1	LOCK COVER	
35	59900649	1	DOOR HANDLE	
36	59900650	1	GASKET	
37	59900651	1	GASKET	
38	59900652	1	KEY	
15	59900799	7	BOSS	
1.1	59905033	1	RH DOORGLASS	
1.2	59905034	1	LH DOORGLASS	
2.1	59905035	1	CAB DOOR RIGHT	

SERIAL

**COMPACT CAB BF6 - DOOR**

CODE REV

**Y.02.04.L70001\_0**



Pos.	Code	Q.ty	Description	Notes
2.2	59905036	1	CAB DOOR - LEFT	
3	59905037	1	GASKET	
4.1	59905038	1	RH HINGE	
4.2	59905039	1	RH HINGE	
5.1	59905040	1	RH HINGE	
5.2	59905041	1	RH HINGE	
9	59905042	2	PLATE	
16	59905043	7	RUBBER WASHER	
19.2	59905045	1	DOOR HANDLE	
23	59905046	1	RIGA COL.VETRI POR.(703246856)	
27.1	59905047	1	SUPPORT	
27.2	59905048	1	SUPPORT	
34	59905049	1	RIBBED SCREW	
41/01	59905050	1	CAB DOOR RIGHT	
41/02	59905051	1	CAB DOOR - LEFT	
40	F0862728000	2	SCREW M8x30 UNI 5933	



Pos.	Code	Q.ty	Description	Notes
12	31211060	4	HEXAGONAL NUT M8	
46	31211060	2	HEXAGONAL NUT M8	
31	31241060	2	HEXAGON SELFLOCK NUT M6	
18	31241080	5	HEXAGON SELFLOCK NUT M8	
20	31241081	1	HEXAGON SELFLOCK NUT	
30	31411064	4	WASHER 6,4x12,5	
10	31411084	9	WASHER 8,4x17	
42/02	57378883V	1	FASCIA LAT.ANT.SX(78883)VERDE*	
42/01	57378887V	1	FASCIA LAT.ANT.DX(78887)VERDE*	
39	59900074	2	WASHER	
17	59900103	7	RING	
21	59900106	1	JOINT	
13	59900109	10	NUT COVER	
11	59900117	4	WASHER 11,4 M8	
24	59900398	1	WASHER M6X18	
6	59900425	2	GASKET	
8	59900426	2	GASKET	
25	59900432	3	HEXAGON HEAD SCREW	
33	59900561	1	WASHER	
14	59900604	6	SCREW COVER	
7	59900624	7	SCREW	
44	59900625	4	SCREW	
22	59900640	1	SPRING	
26	59900641	1	S/BASE GOMMA SERR.T5 628014631	
28	59900644	2	SCREW	
29.2	59900645	1	LH LOCK SMALL BLOCK	
29.1	59900646	1	RH LOCK SMALL BLOCK	
32	59900647	1	LOCK COVER	
35	59900649	1	DOOR HANDLE	
36	59900650	1	GASKET	
37	59900651	1	GASKET	
38	59900652	1	KEY	
15	59900799	7	BOSS	
1.1	59905033	1	RH DOORGLASS	

SERIAL  
START  
**920491**

END  
**923370**

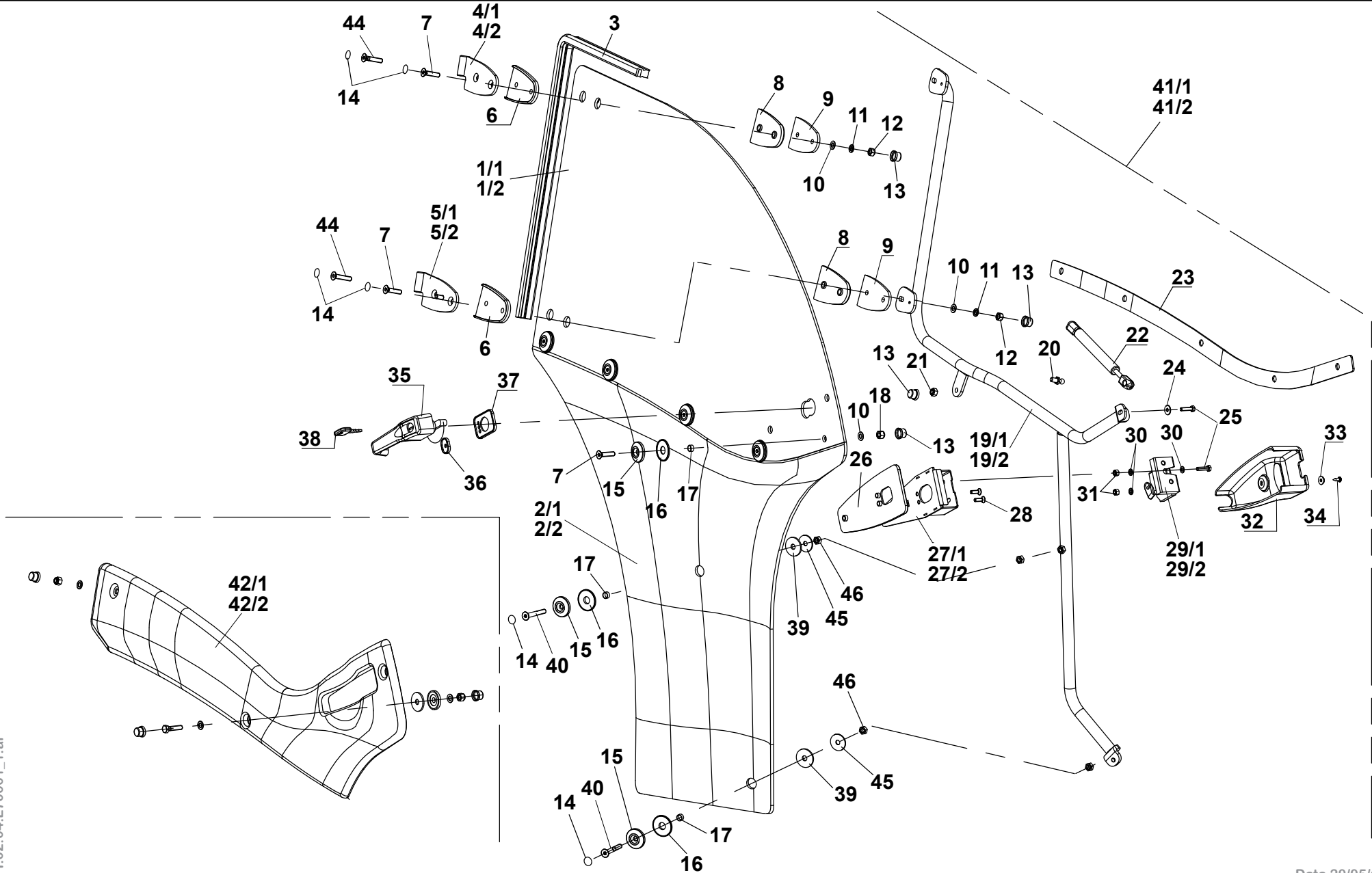
**COMPACT CAB BF6 - DOOR**

CODE REV

**Y.02.04.L70001\_1**

COMPACT CAB BF6 - DOOR

SERIAL START 920491 END 923370



Y.02.04.L70001\_1.ai

Pos.	Code	Q.ty	Description	Notes
1.2	59905034	1	LH DOORGLASS	
3	59905037	1	GASKET	
4.1	59905038	1	RH HINGE	
4.2	59905039	1	RH HINGE	
5.1	59905040	1	RH HINGE	
5.2	59905041	1	RH HINGE	
9	59905042	2	PLATE	
16	59905043	7	RUBBER WASHER	
23	59905046	1	RIGA COL.VETRI POR.(703246856)	
27.1	59905047	1	SUPPORT	
27.2	59905048	1	SUPPORT	
34	59905049	1	RIBBED SCREW	
2.1	59905216	1	CAB DOOR RIGHT	
2.2	59905217	1	CAB DOOR - LEFT	
19.1	59905218	1	MANIGL.PORTA DX V2 (703248247)	
19.2	59905219	1	MANIGL.PORTA SX V2 (703248248)	
40	59905220	4	T SCREW	
41/01	59905221	1	CAB DOOR RIGHT	
41/02	59905222	1	CAB DOOR - LEFT	
45	59905223	4	RONDELLA M8 D32 (611000832)	

SERIAL  
START  
**920491**

END  
**923370**

**COMPACT CAB BF6 - DOOR**

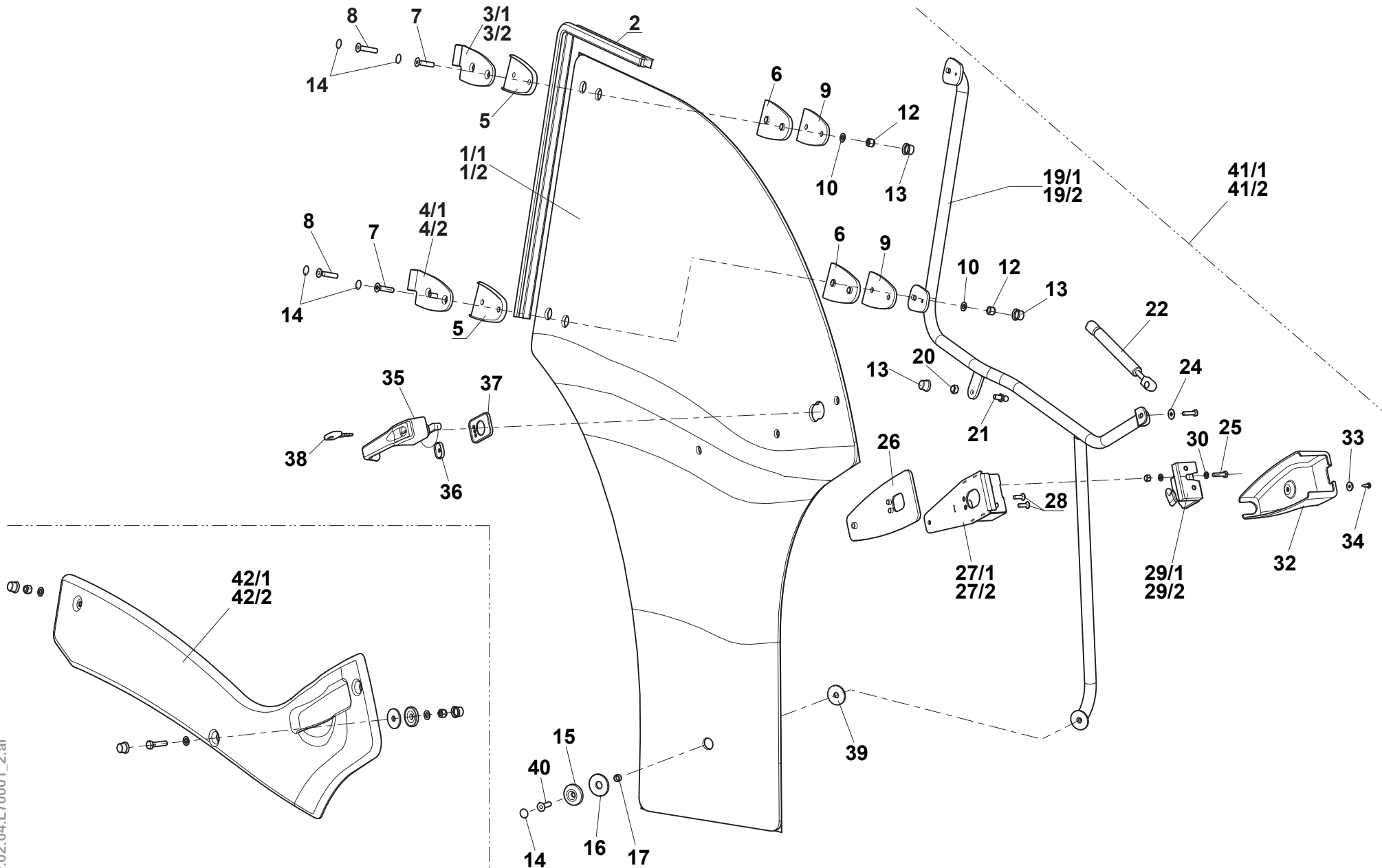
CODE REV

**Y.02.04.L70001\_1**



# COMPACT CAB BF6 - DOOR

SERIAL START 923371



Y.02.04.L70001\_2.ai

Pos.	Code	Q.ty	Description	Notes
12	31211060	4	HEXAGONAL NUT M8	
46	31211060	2	HEXAGONAL NUT M8	
31	31241060	2	HEXAGON SELFLOCK NUT M6	
18	31241080	5	HEXAGON SELFLOCK NUT M8	
20	31241081	1	HEXAGON SELFLOCK NUT	
30	31411064	4	WASHER 6,4x12,5	
10	31411084	9	WASHER 8,4x17	
42/02	57378883V	1	FASCIA LAT.ANT.SX(78883)VERDE*	
42/01	57378887V	1	FASCIA LAT.ANT.DX(78887)VERDE*	
39	59900074	2	WASHER	
17	59900103	7	RING	
21	59900106	1	JOINT	
13	59900109	10	NUT COVER	
11	59900117	4	WASHER 11,4 M8	
24	59900398	1	WASHER M6X18	
5	59900425	2	GASKET	
6	59900426	2	GASKET	
25	59900432	3	HEXAGON HEAD SCREW	
33	59900561	1	WASHER	
14	59900604	6	SCREW COVER	
7	59900624	2	SCREW	
8	59900624	2	SCREW	
44	59900625	4	SCREW	
22	59900640	1	SPRING	
26	59900641	1	S/BASE GOMMA SERR.T5 628014631	
28	59900644	2	SCREW	
29.2	59900645	1	LH LOCK SMALL BLOCK	
29.1	59900646	1	RH LOCK SMALL BLOCK	
32	59900647	1	LOCK COVER	
35	59900649	1	DOOR HANDLE	
36	59900650	1	GASKET	
37	59900651	1	GASKET	
38	59900652	1	KEY	
15	59900799	7	BOSS	

SERIAL  
START  
**923371**

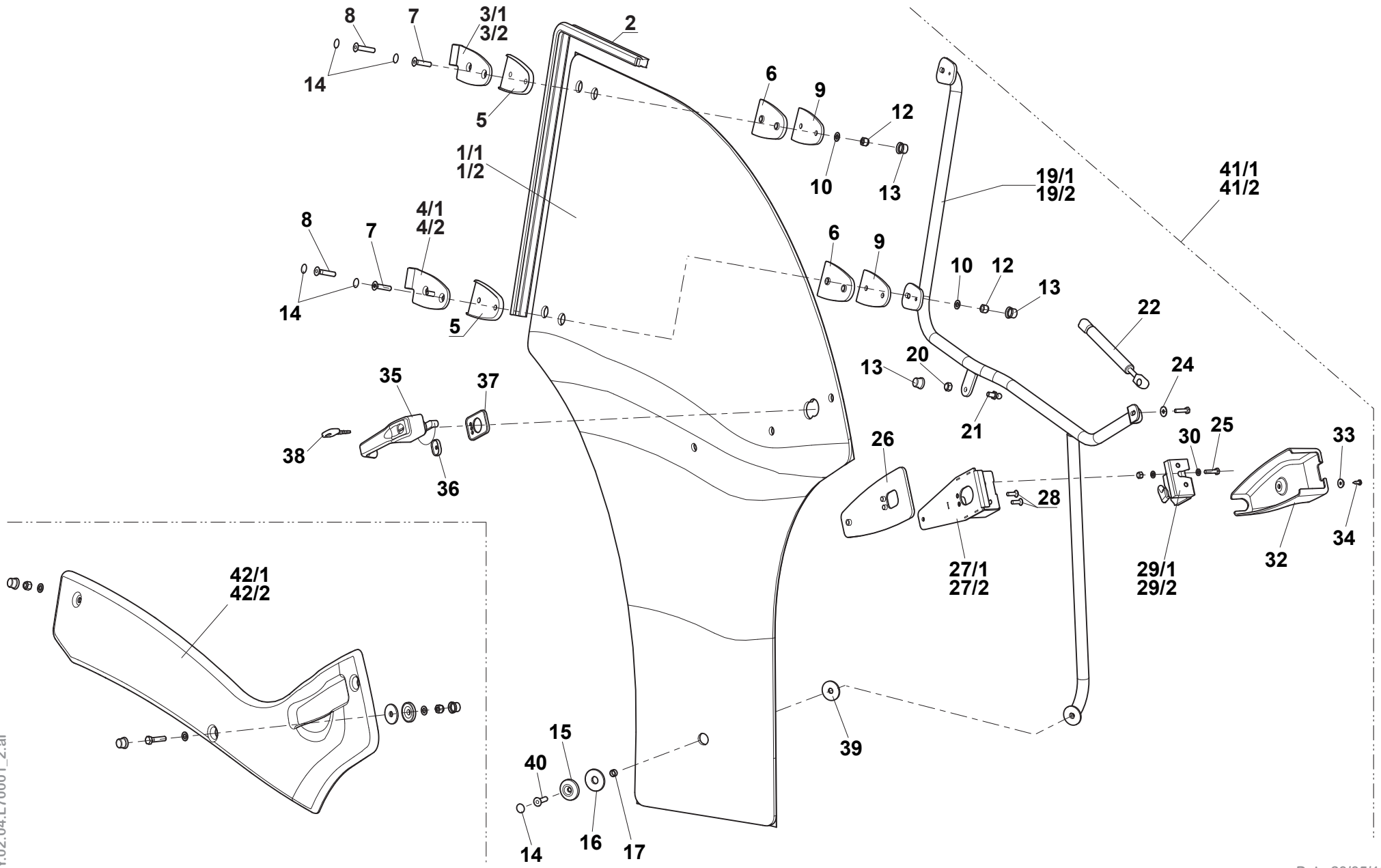
**COMPACT CAB BF6 - DOOR**

CODE REV

**Y.02.04.L70001\_2**

# COMPACT CAB BF6 - DOOR

SERIAL START 923371



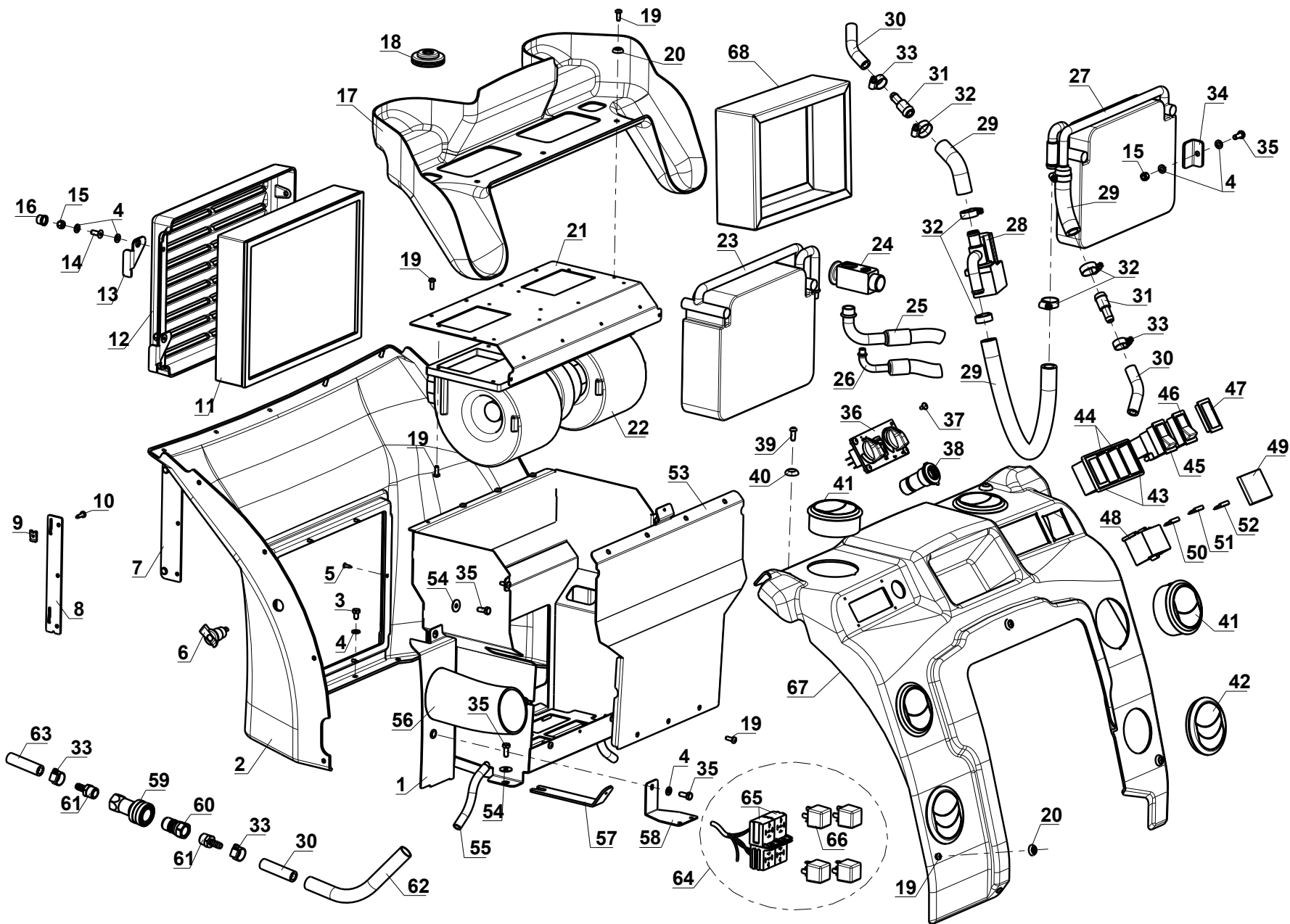
Y.02.04.L70001\_2.ai

Pos.	Code	Q.ty	Description	Notes
2	59905037	1	GASKET	
3.1	59905038	1	RH HINGE	
3.2	59905039	1	RH HINGE	
4.1	59905040	1	RH HINGE	
4.2	59905041	1	RH HINGE	
9	59905042	2	PLATE	
16	59905043	7	RUBBER WASHER	
23	59905046	1	RIGA COL.VETRI POR.(703246856)	
27.1	59905047	1	SUPPORT	
27.2	59905048	1	SUPPORT	
34	59905049	1	RIBBED SCREW	
40	59905220	4	T SCREW	
45	59905223	4	RONDELLA M8 D32 (611000832)	
41/01	59905228	1	CAB DOOR RIGHT	
41/02	59905229	1	CAB DOOR - LEFT	
19.1	59905230	1	MANIGLIONE DX BF6-V3 703248870	
19.2	59905231	1	MANIGLIONE SX BF6-V3 703248871	
1.1	59905232	1	RH DOORGLASS	
1.2	59905233	1	LH DOORGLASS	

SERIAL  
START  
**923371**

**COMPACT CAB BF6 - DOOR**

CODE REV  
**Y.02.04.L70001\_2**



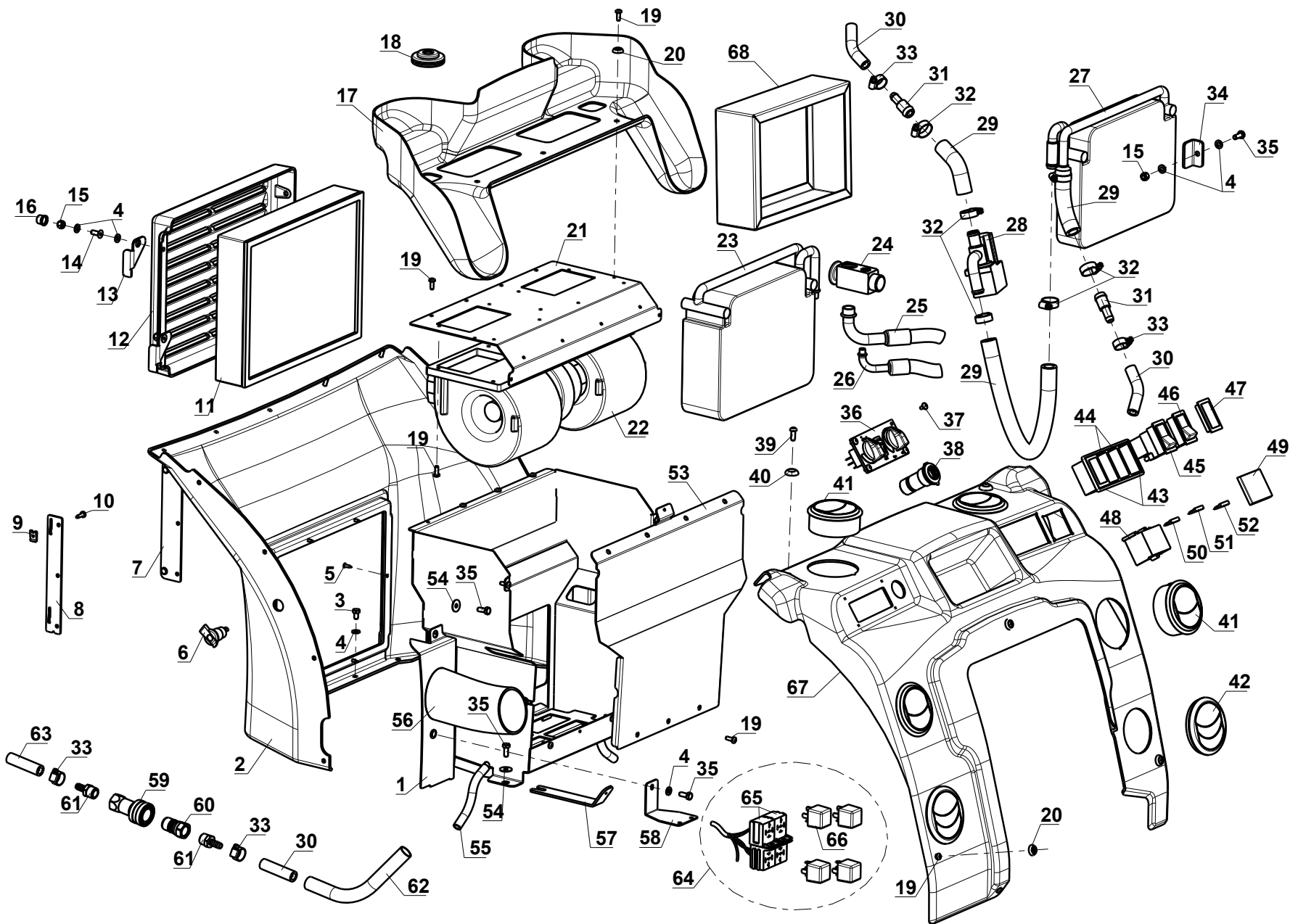
Pos.	Code	Q.ty	Description	Notes
15	31241060	4	HEXAGON SELFLOCK NUT M6	
4	31411064	14	WASHER 6,4x12,5	
59	59900018	2	CONNECTION	
60	59900019	2	CONNECTION	
61	59900020	4	PIPE FITTING	
16	59900037	2	NUT COVER	
43	59900051	2	SWITCH SUPPORT	
44	59900052	2	SWITCH SUPPORT	
46	59900053	1	SWITCH	
45	59900054	1	SWITCH	
49	59900057	1	COVER	
48	59900058	1	FUSE-HOLDER	
30	59900069	1	PIPE	
63	59900069	1	PIPE	
33	59900071	6	PIPE CONNECTION	
35	59900396	6	HEXAGON SCREW M6X15	
54	59900398	4	WASHER M6X18	
42	59900463	2	TONGUE	
37	59900467	4	RIBBED SCREW	
18	59900469	2	PLUG	
20	59900561	6	WASHER	
50	59900665	2	FUSE/LOCK	
52	59900666	2	FUSE/LOCK	
51	59900667	2	FUSE/LOCK	
55	59900689	1	RUBBER HOSE	
5	59900699	6	SCREW	
62	59900704	2	SHEATH	
39	59900750	2	SCREW	
1	59905052	1	BOX	
2	59905053	1	DIVISION	
3	59905054	7	SCREW	
6	59905055	1	SOCKET	
7	59905056	1	RH HINGE	
8	59905057	1	SMALL BLOCK	

SERIAL

**COMPACT CAB BF6 - DASHBOARD**

CODE REV

**Y.02.05.L70001\_0**



Pos.	Code	Q.ty	Description	Notes
9	59905058	2	STOP	
10	59905059	2	RIBBED SCREW	
11	59905060	1	FILTER	
12	59905061	1	COVER	
13	59905062	2	LEVER	
17	59905063	1	DUCT	
21	59905065	1	FAN BEARING	
22	59905066	1	ELECTRO-FAN	
23	59905067	1	VAPORIZER	
24	59905068	1	VALVE	
25	59905069	1	PIPE	
26	59905070	1	PIPE	
27	59905071	1	RADIATOR	
28	59905072	1	RADIATOR	
29	59905073	1	PIPE	
31	59905074	2	REDUCTION	
32	59905075	6	CLAMP	
34	59905076	2	FIXING BRACKET	
36	59905077	1	CONTROL	
38	59905078	1	SOCKET	
40	59905079	2	WASHER	
41	59905080	4	PIPE UNION	
47	59905081	2	PLUG	
53	59905082	1	COVER	
56	59905083	1	PIPE	
57	59905084	1	FIXING BRACKET	
58	59905085	1	FIXING BRACKET	
64	59905086	1	ELECTRICAL SYSTEM	
65	59905087	4	ZOCCOLO RELE' (622032213)	
66	59905088	4	RELAY	
67	59905315	1	PLANCIA CABINA (627246870) *	
68	59905317	1	CHASSIS FRAME	
14	F0861972000	2	SCREW M6X10 UNI 5933	

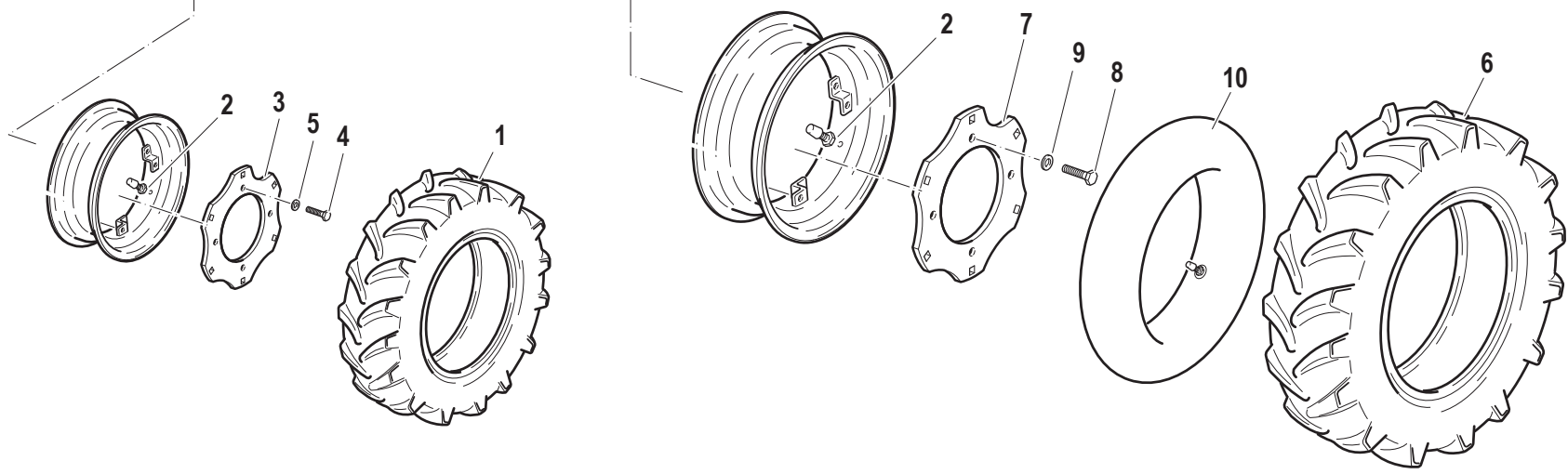
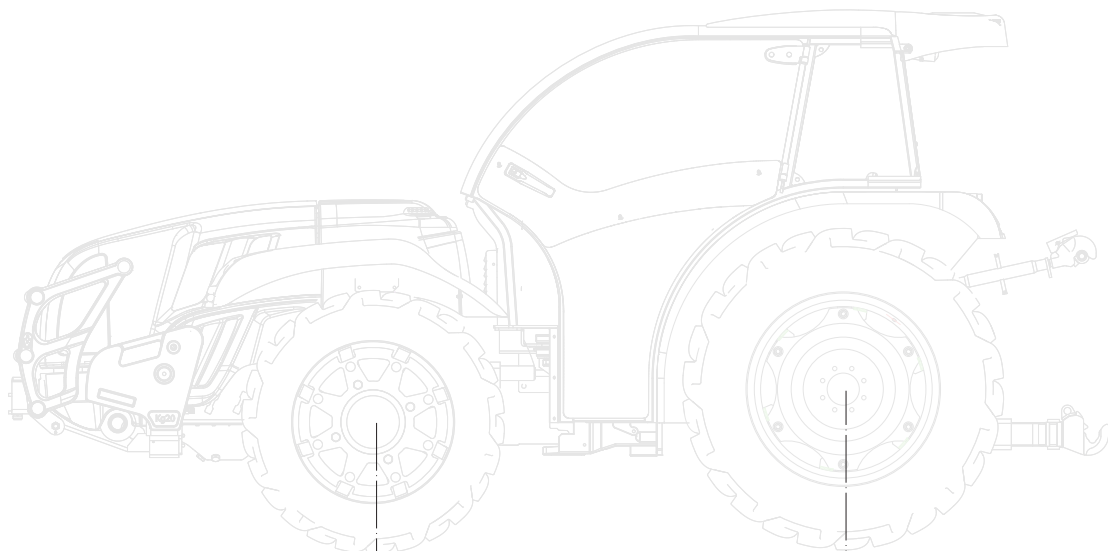
SERIAL

**COMPACT CAB BF6 - DASHBOARD**

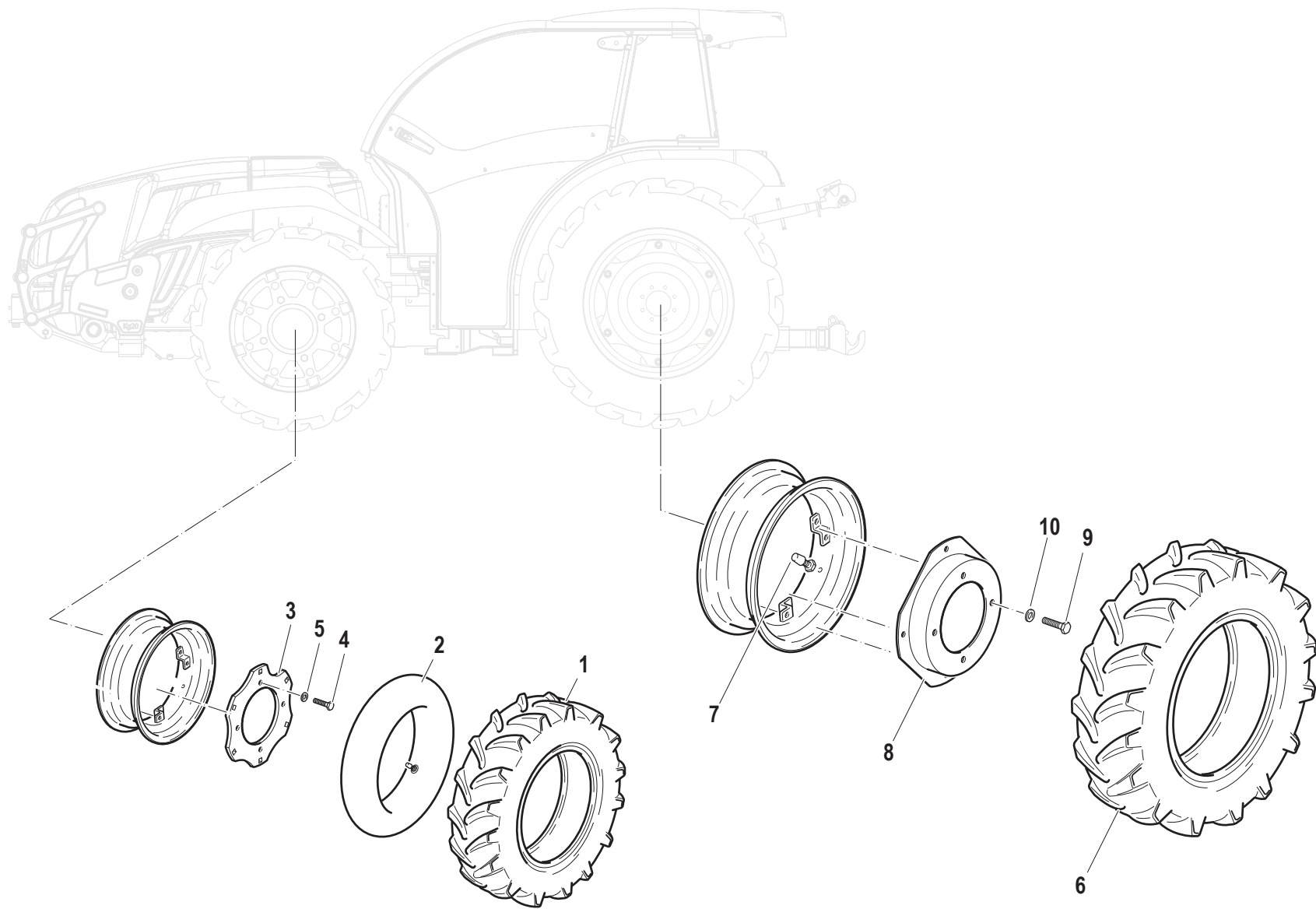
CODE REV

**Y.02.05.L70001\_0**

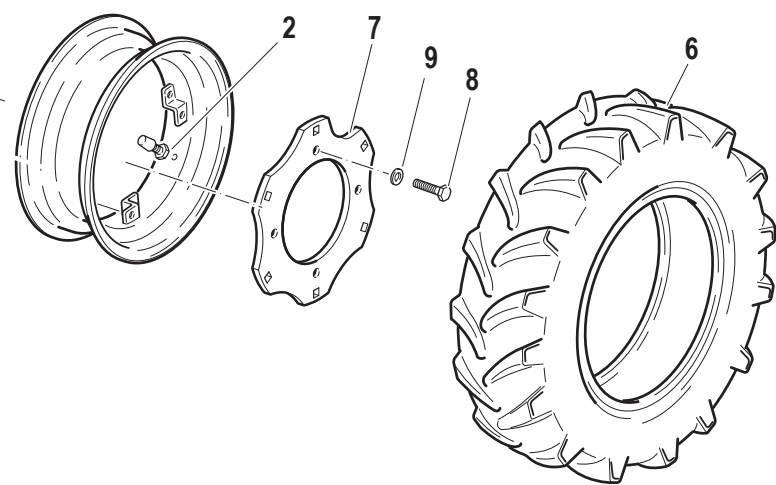
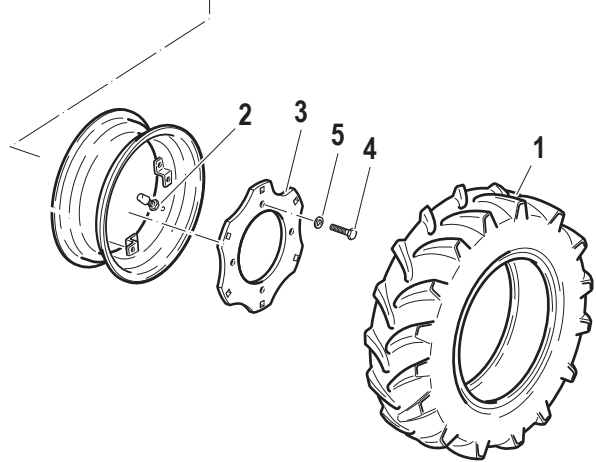
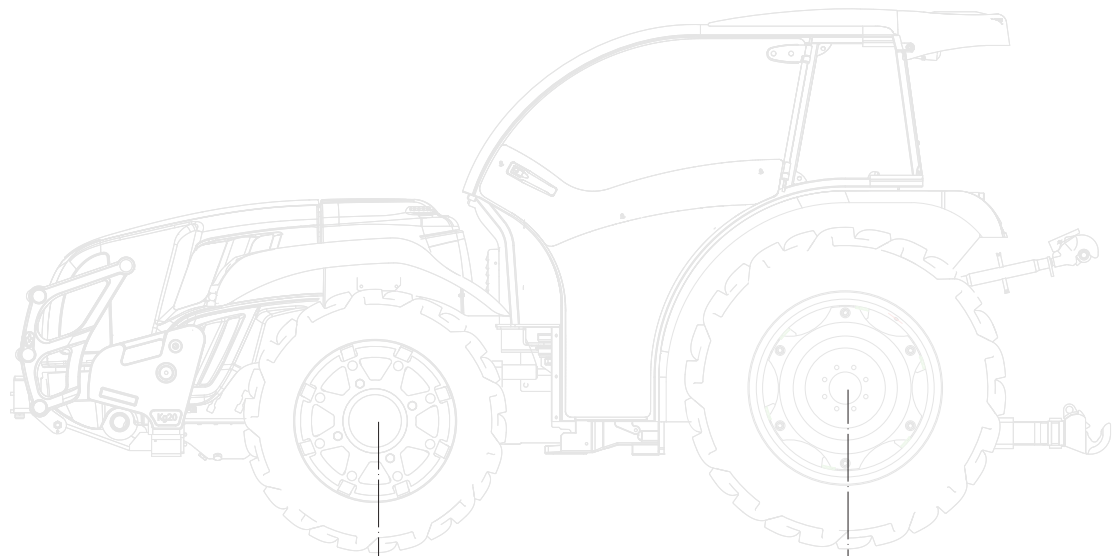




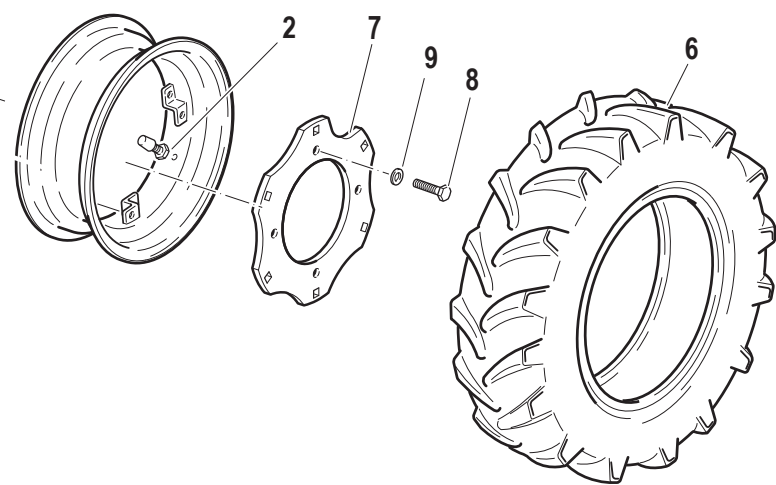
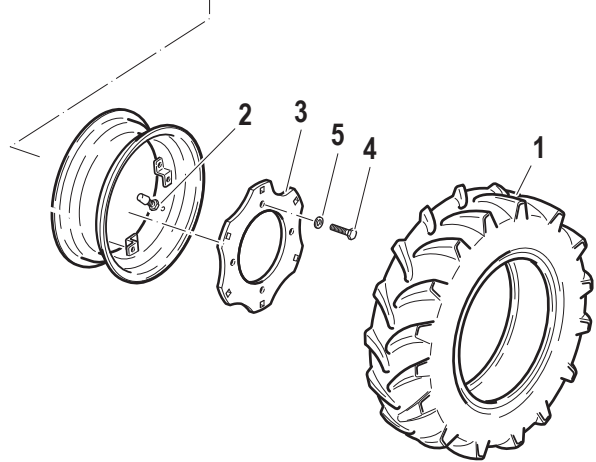
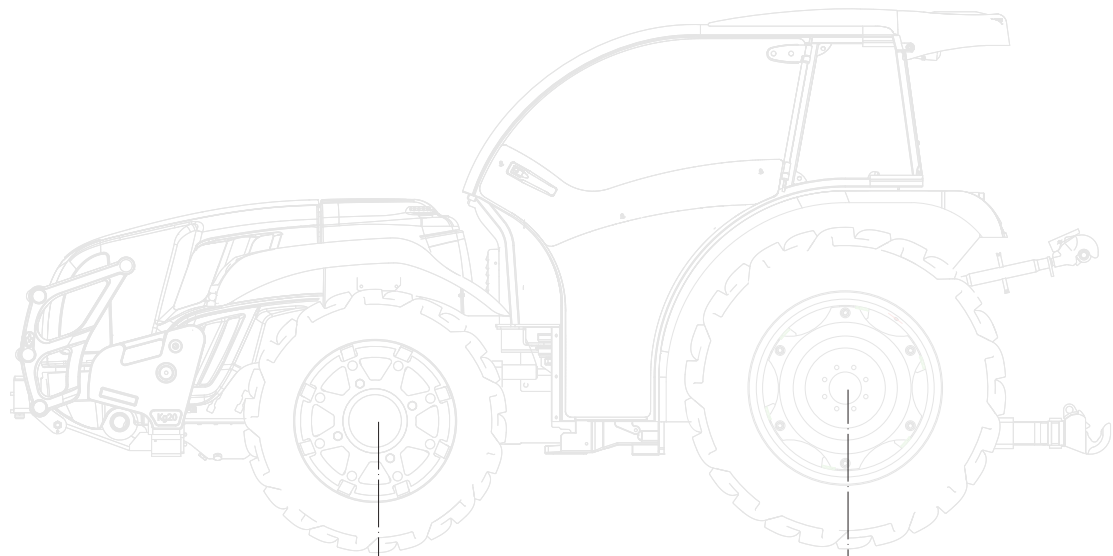
Pos.	Code	Q.ty	Description	Notes
9	56573708	16	WASHER D.28x14,5/3,5	
7	59278994	2	RIM	
3	59279085	2	RIM	
2	F0150010905	4	VALVE	
5	F0844150000	8	WASHER D.30x18,5/5	
1	F0848649000	2	TYRE 260/70R16	
6	F0848676050	2	TYRE 300/70 R20	
10	F0848920000	2	INNER TUBE	
8	F0864192000	16	SCREW TE M14x1,5/35	
4	F0864410500	8	SCREW M18X1,5/45 U/5740	



Pos.	Code	Q.ty	Description	Notes
10	56573708	16	WASHER D.28x14,5/3,5	
3	59277990	2	RIM	
8	59277998	2	RIM	
7	F0150010905	2	VALVE	
5	F0844150000	8	WASHER D.30x18,5/5	
1	F0848655000	2	TYRE	
2	F0848855000	2	INNER TUBE	
9	F0864192000	16	SCREW TE M14x1,5/35	
4	F0864410500	8	SCREW M18X1,5/45 U/5740	
6	P000000009128	2	PN 280/85R24TL 115A8 TM600	

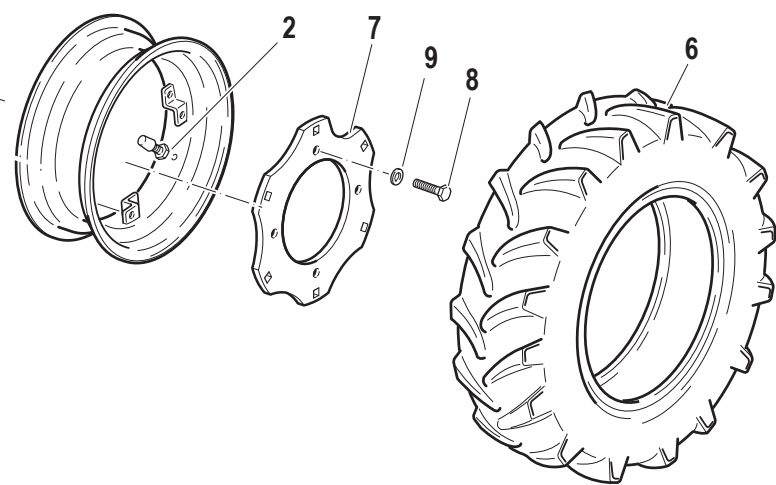
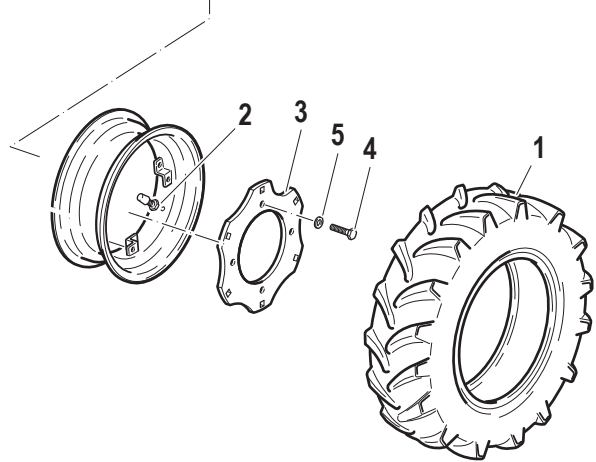
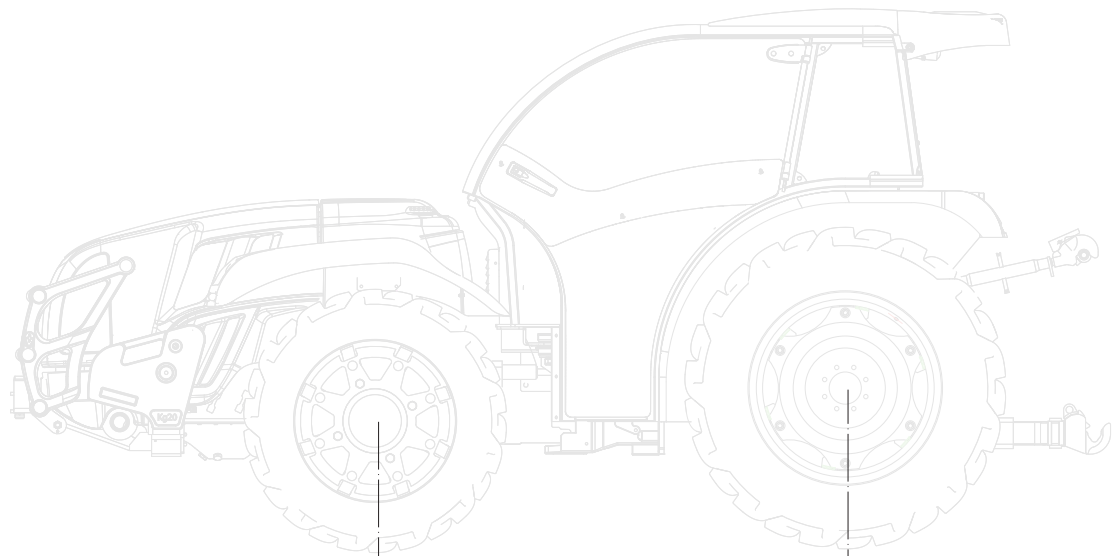


Pos.	Code	Q.ty	Description	Notes
9	56573708	16	WASHER D.28x14,5/3,5	
3	59277990	2	RIM	
7	59277998	2	RIM	
2	F0150010905	4	VALVE	
5	F0844150000	8	WASHER D.30x18,5/5	
1	F0848655100	2	TYRE 280/70R18	
8	F0864192000	16	SCREW TE M14x1,5/35	
4	F0864410500	8	SCREW M18X1,5/45 U/5740	
6	P000000009124	2	SCREW 320/70R24 116A8 DT812 TL *	

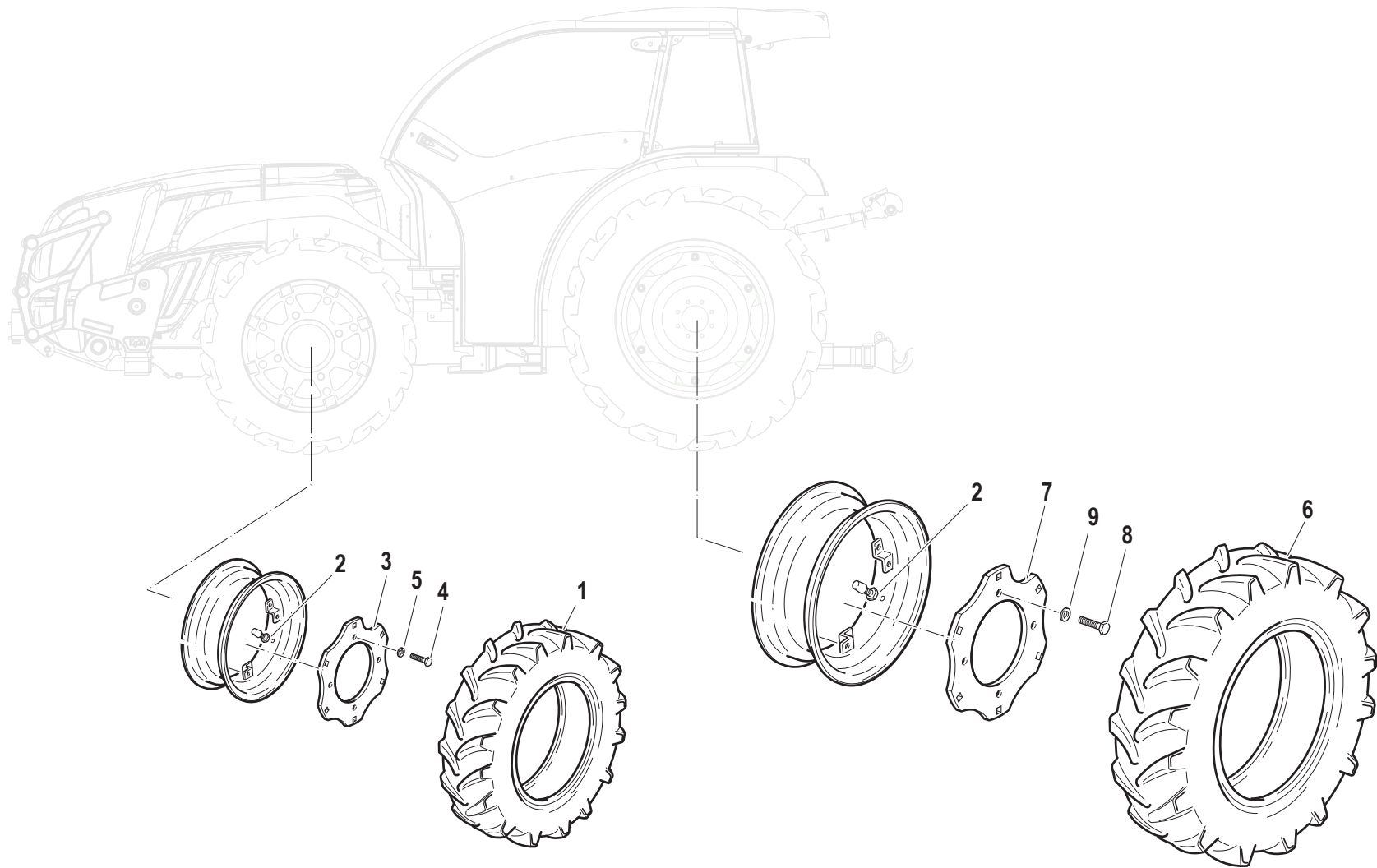


Pos.	Code	Q.ty	Description	Notes
9	56573708	16	WASHER D.28x14,5/3,5	
7	59277993	2	RIM	
3	592A0344	2	RIM	
2	F0150010905	4	VALVE	
5	F0844150000	8	WASHER D.30x18,5/5	
6	F0848682020	2	TYRE 420/65 R24	
8	F0864192000	16	SCREW TE M14x1,5/35	
4	F0864410500	8	SCREW M18X1,5/45 U/5740	
1	P000000009122	2	TYRE 340/65R18	





Pos.	Code	Q.ty	Description	Notes
1	39121800	2	TYRE 300/65-18	
6	39122000	2	PN.380/70-20 TL RT 765 BKT	
9	56573708	16	WASHER D.28x14,5/3,5	
7	59279000	2	RIM	
3	592A0344	2	RIM	
2	F0150010905	4	VALVE	
5	F0844150000	8	WASHER D.30x18,5/5	
8	F0864192000	16	SCREW TE M14x1,5/35	
4	F0864410500	8	SCREW M18X1,5/45 U/5740	



Pos.	Code	Q.ty	Description	Notes
9	56573708	16	WASHER D.28x14,5/3,5	
7	59279000	2	RIM	
3	59279085	2	RIM	
2	F0150010905	4	VALVE	
5	F0844150000	8	WASHER D.30x18,5/5	
1	F0848649000	2	TYRE 260/70R16	
6	F0848679700	2	TYRE 340/65 R20	
8	F0864192000	16	SCREW TE M14x1,5/35	
4	F0864410500	8	SCREW M18X1,5/45 U/5740	